



US00D536347S

(12) **United States Design Patent**
Izzo et al.

(10) **Patent No.:** **US D536,347 S**
(45) **Date of Patent:** **** Feb. 6, 2007**

(54) **DIGITAL AUDIO PLAYER**

(75) Inventors: **Vincent J. Izzo**, Jamison, PA (US);
Paul D. Baker, San Diego, CA (US);
Thomas L. Du Breuil, Ivyland, PA
(US); **William J. Storti**, Haverford, PA
(US); **Nuk Howard**, Palo Alto, CA
(US)

(73) Assignee: **General Instrument Corporation**,
Horsham, PA (US)

(**) Term: **14 Years**

(21) Appl. No.: **29/244,261**

(22) Filed: **Dec. 7, 2005**

(51) **LOC (8) Cl.** **14-03**

(52) **U.S. Cl.** **D14/496**

(58) **Field of Classification Search** D14/496,
D14/401, 435, 474, 483, 217, 137, 138, 160,
D14/168; 345/156, 169, 173-179, 905; 715/727-729,
715/864; 455/11.1, 7, 73, 344-347, 93, 95;
370/342-344; 369/1, 2, 6, 12; 463/43-47;
273/148 B

See application file for complete search history.

(56) **References Cited**

U.S. PATENT DOCUMENTS

5,661,632 A * 8/1997 Register 361/683

5,825,408 A * 10/1998 Yuyama et al. 348/14.01
5,859,594 A * 1/1999 King et al. 340/7.55
6,122,526 A * 9/2000 Parulski et al. 455/556.1
D451,488 S * 12/2001 Foster D14/156
D452,226 S * 12/2001 Simpson et al. D14/167
D489,052 S * 4/2004 Shiraki et al. D14/156
D511,347 S * 11/2005 Naruki D14/496
D517,088 S * 3/2006 Chong et al. D14/496
D519,522 S * 4/2006 Lee D14/496

* cited by examiner

Primary Examiner—Prabhakar Deshmukh

(74) *Attorney, Agent, or Firm*—Thomas Bethea, Jr.

(57) **CLAIM**

The ornamental design for a digital audio player, as shown and described.

DESCRIPTION

FIG. 1 is a perspective view of digital audio player showing our new design;

FIG. 2 is a top plan view thereof;

FIG. 3 is a bottom plan view thereof;

FIG. 4 is a front elevational view thereof;

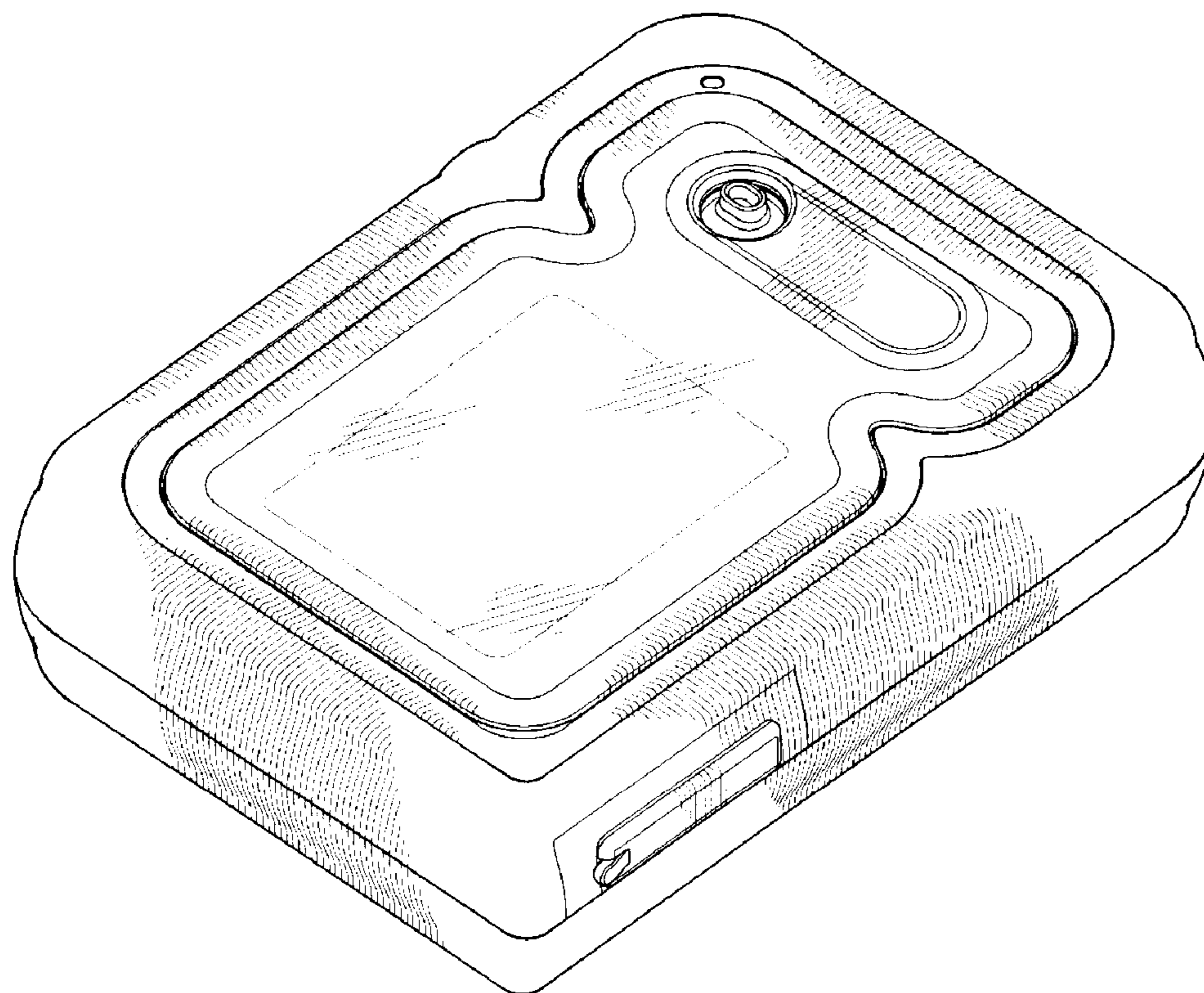
FIG. 5 is a rear elevational view thereof;

FIG. 6 is a right side elevational view thereof; and,

FIG. 7 is a left side elevational view thereof.

The broken lines are for illustrative purposes only and form no part of the claimed design.

1 Claim, 3 Drawing Sheets



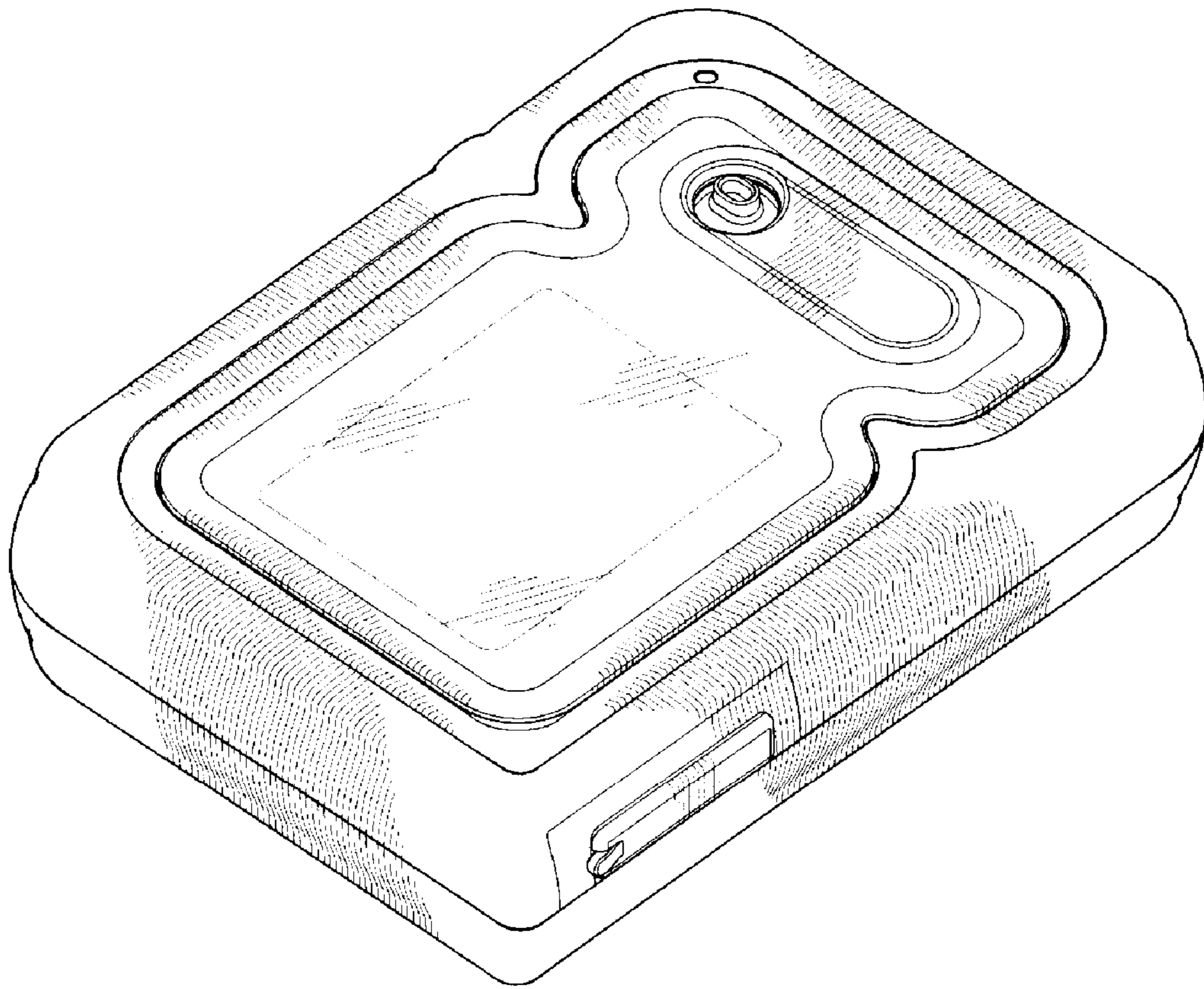


FIG. 1

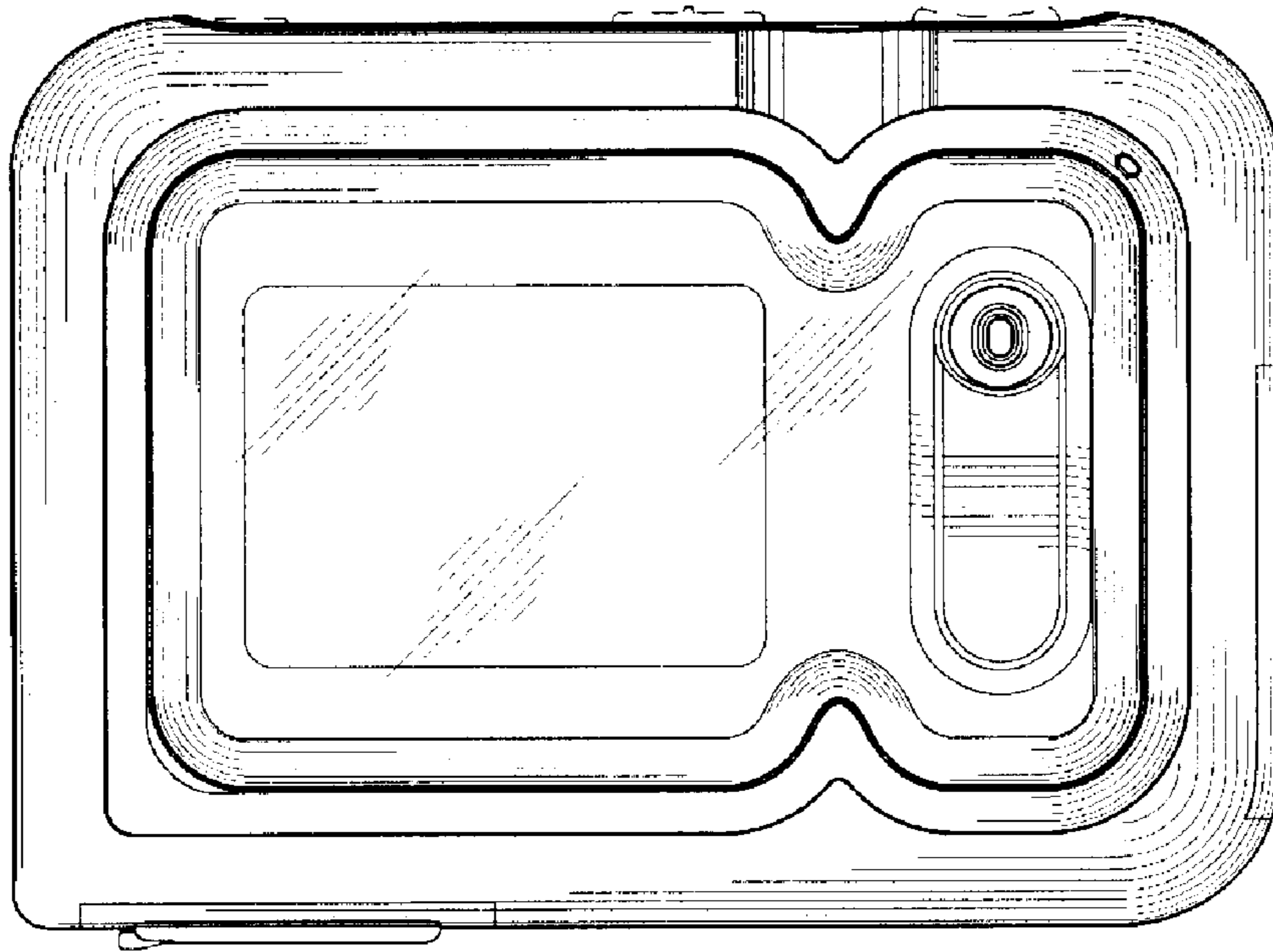


FIG. 2

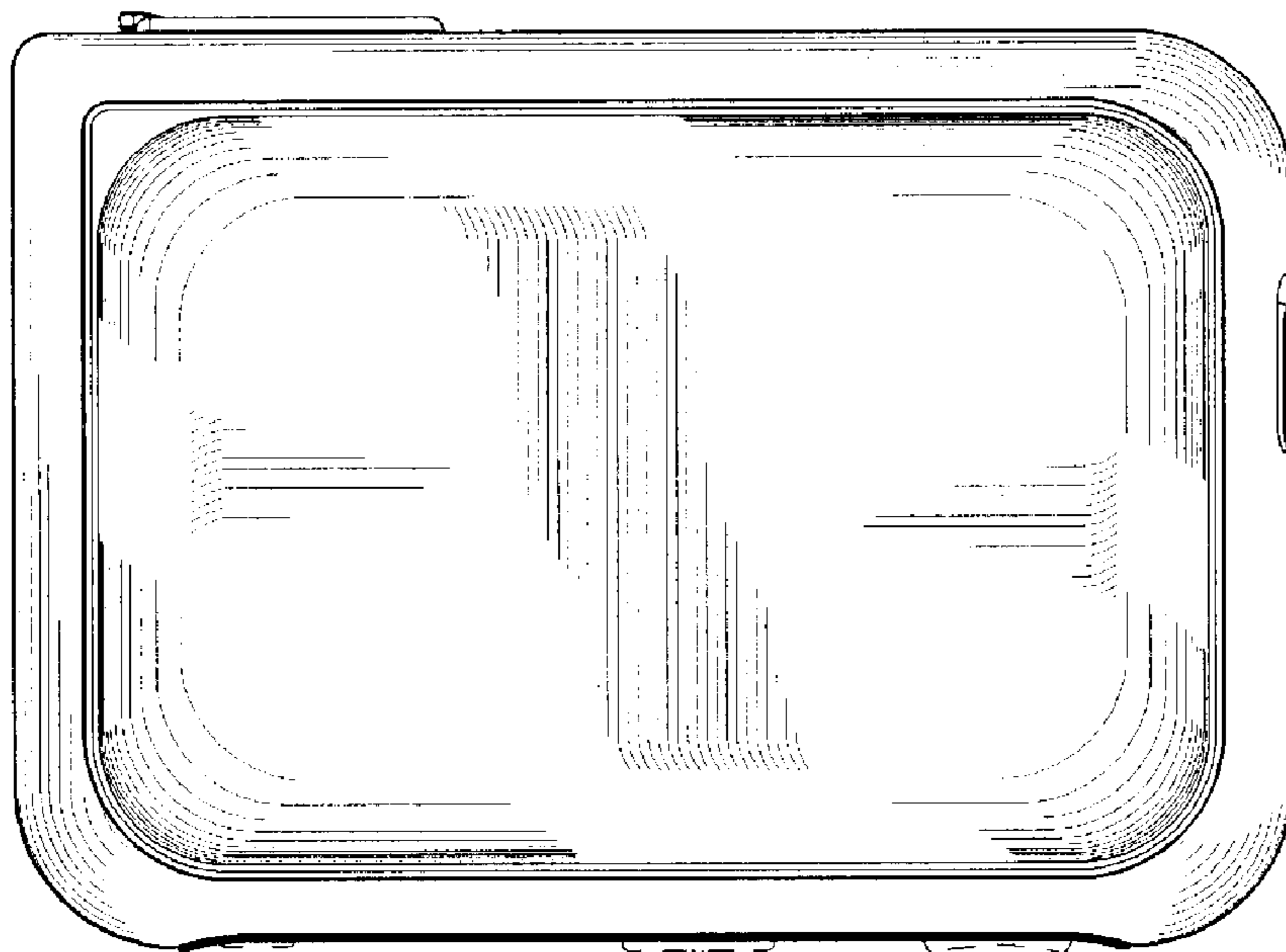


FIG. 3

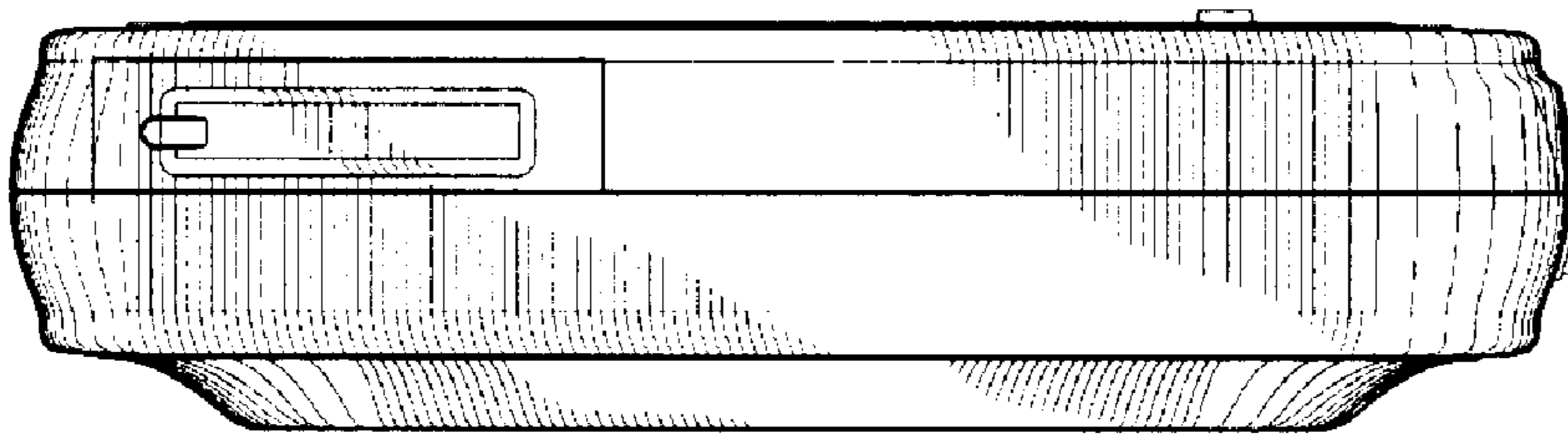


FIG. 4

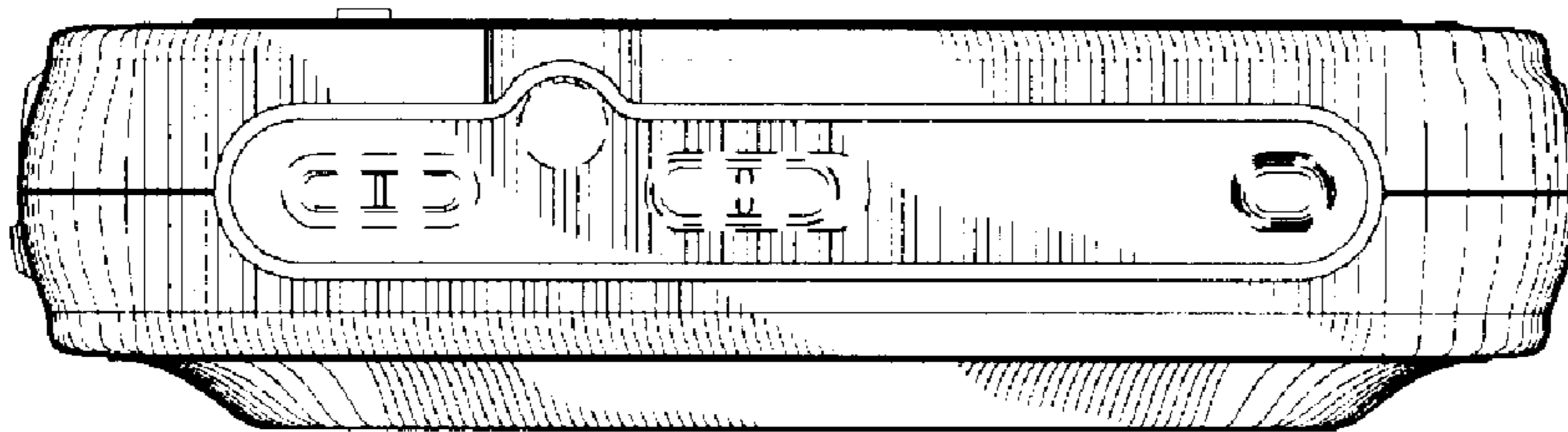


FIG. 5

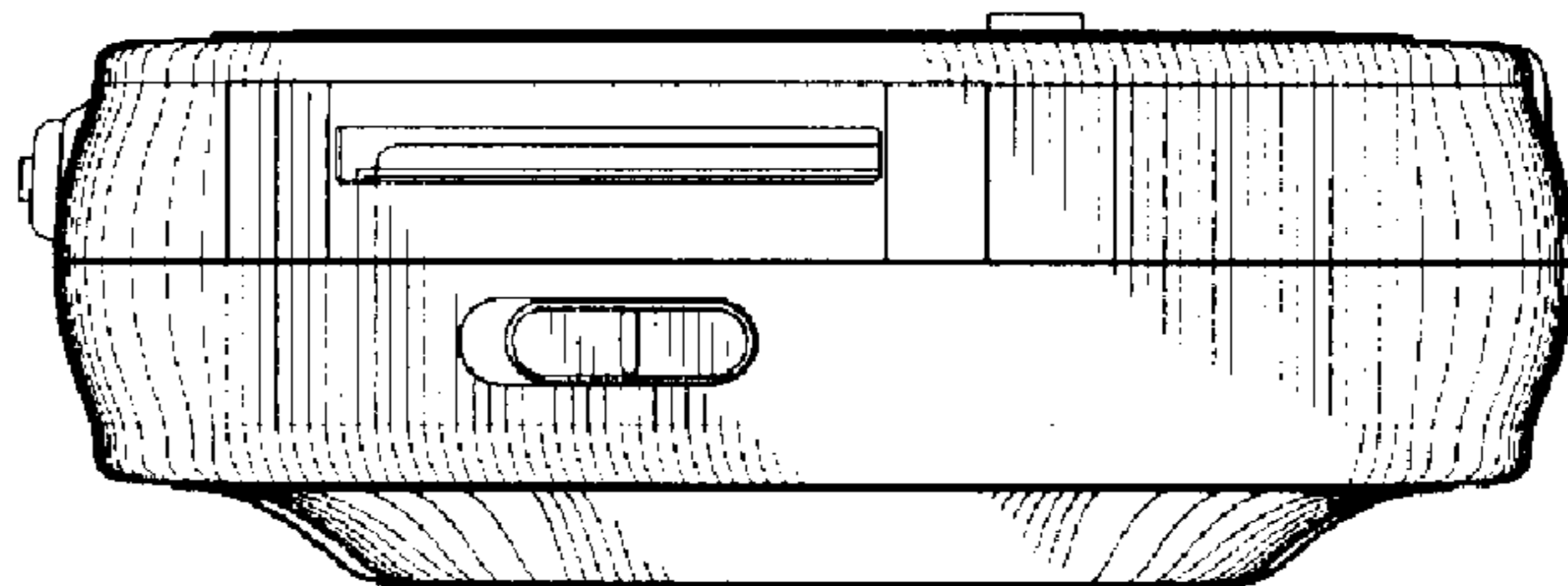


FIG. 6

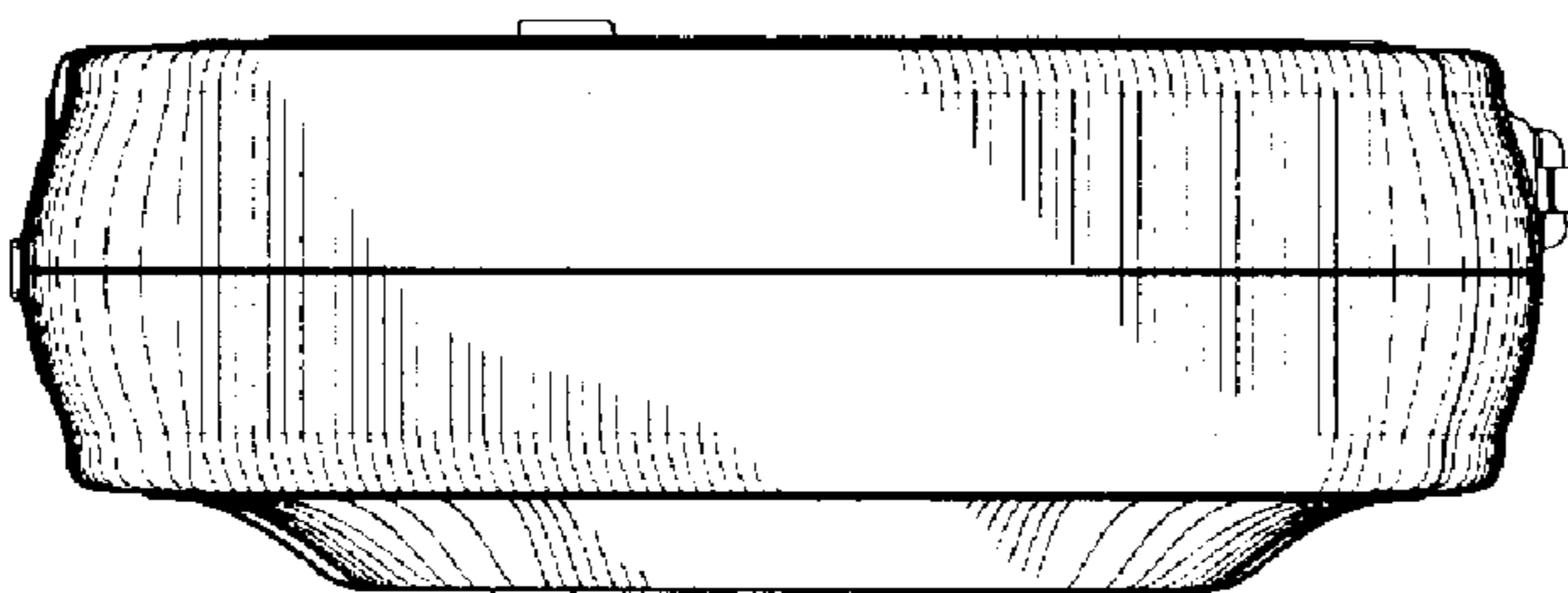


FIG. 7