



US00D536339S

(12) **United States Design Patent**
Chen et al.

(10) **Patent No.:** **US D536,339 S**

(45) **Date of Patent:** **** Feb. 6, 2007**

(54) **COMPUTER FRONT BEZEL**

(75) Inventors: **Yun-Lung Chen**, Tu-Cheng (TW);
Zhen Zhang, Shen-Zhen (CN)

(73) Assignee: **Hon Hai Precision Industry Co. Ltd.**,
Taipei Hsien (TW)

(**) Term: **14 Years**

(21) Appl. No.: **29/244,986**

(22) Filed: **Dec. 16, 2005**

(30) **Foreign Application Priority Data**

Oct. 7, 2005 (CN) 2005 3 007164

(51) **LOC (8) Cl.** **14-02**

(52) **U.S. Cl.** **D14/445**

(58) **Field of Classification Search** D14/441-446;
D13/162, 184, 199; 312/223.2; 360/99.01-99.12;
361/680-686, 690-696; 369/34.01, 36.01
See application file for complete search history.

(56) **References Cited**

U.S. PATENT DOCUMENTS

D474,187 S * 5/2003 Hsu D14/445

D485,844 S * 1/2004 Chen et al. D14/442
D504,898 S * 5/2005 Chen et al. D14/445
D506,202 S * 6/2005 Xiao et al. D14/445
D510,356 S * 10/2005 Chen et al. D14/445

* cited by examiner

Primary Examiner—Freda S. Nunn

(74) *Attorney, Agent, or Firm*—Jeffrey T. Knapp

(57) **CLAIM**

The ornamental design for a computer front bezel, as shown and described.

DESCRIPTION

FIG. 1 is a perspective view of a computer front bezel of our new design;

FIG. 2 is a front elevational view thereof;

FIG. 3 is a rear elevational view thereof;

FIG. 4 is a left side elevational view thereof;

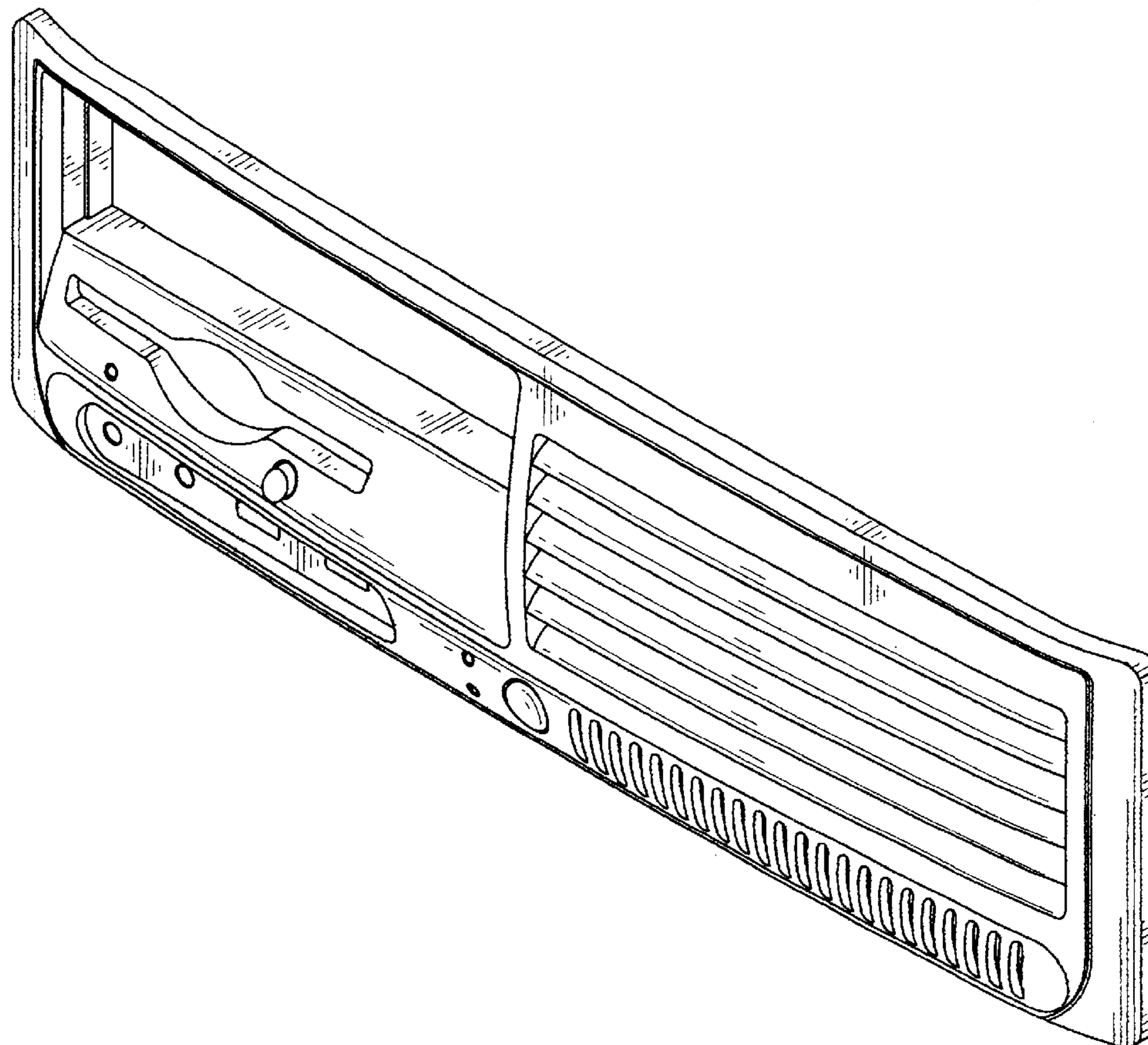
FIG. 5 is a right side elevational view thereof;

FIG. 6 is a top plan view thereof;

FIG. 7 is a bottom plan view thereof; and,

FIG. 8 is a perspective view thereof being mounted to a computer case which is shown in broken lines for illustrative purposes only and forms no part of the claimed design.

1 Claim, 6 Drawing Sheets



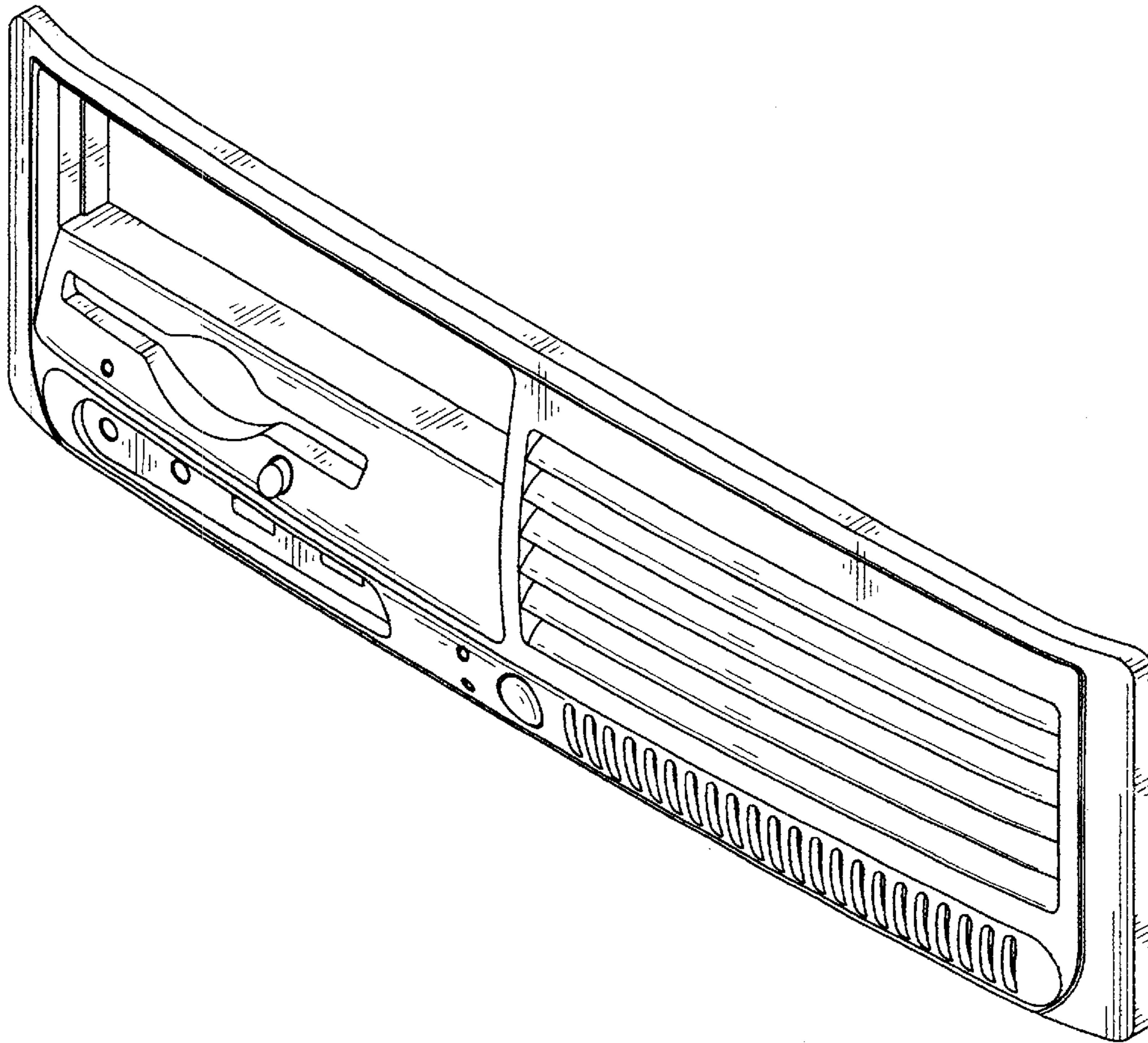


FIG. 1

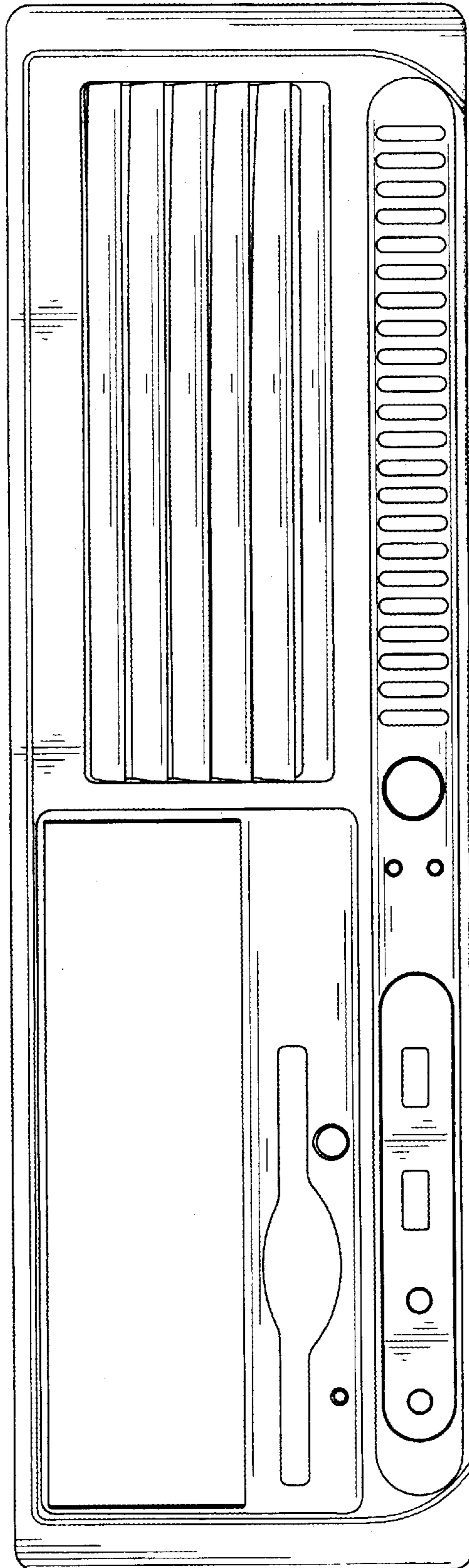


FIG. 2

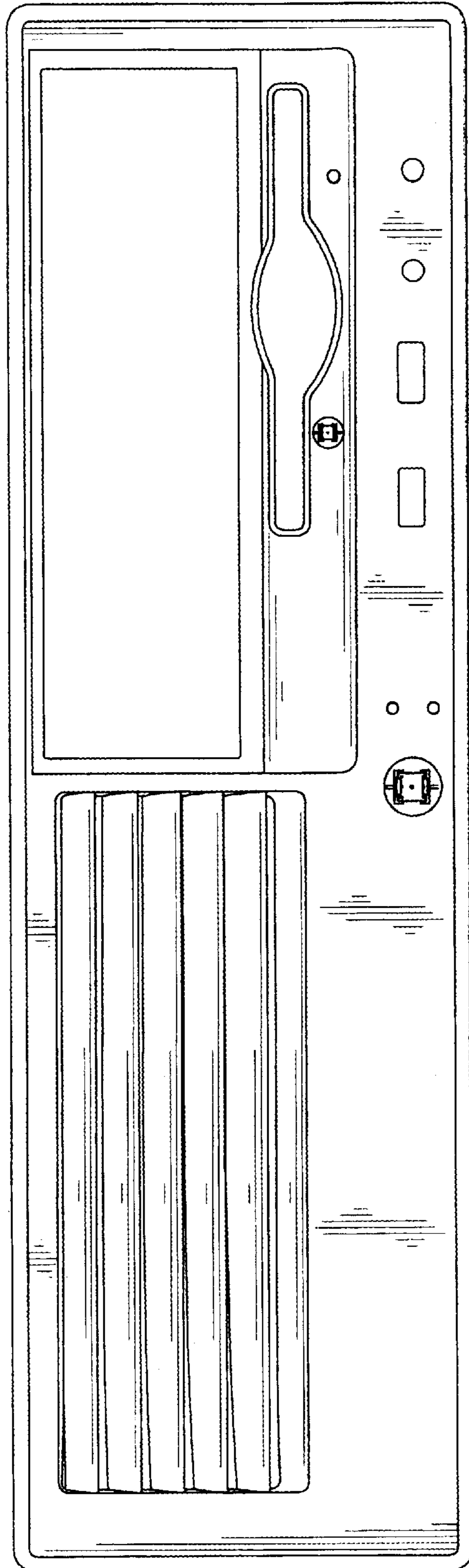


FIG. 3

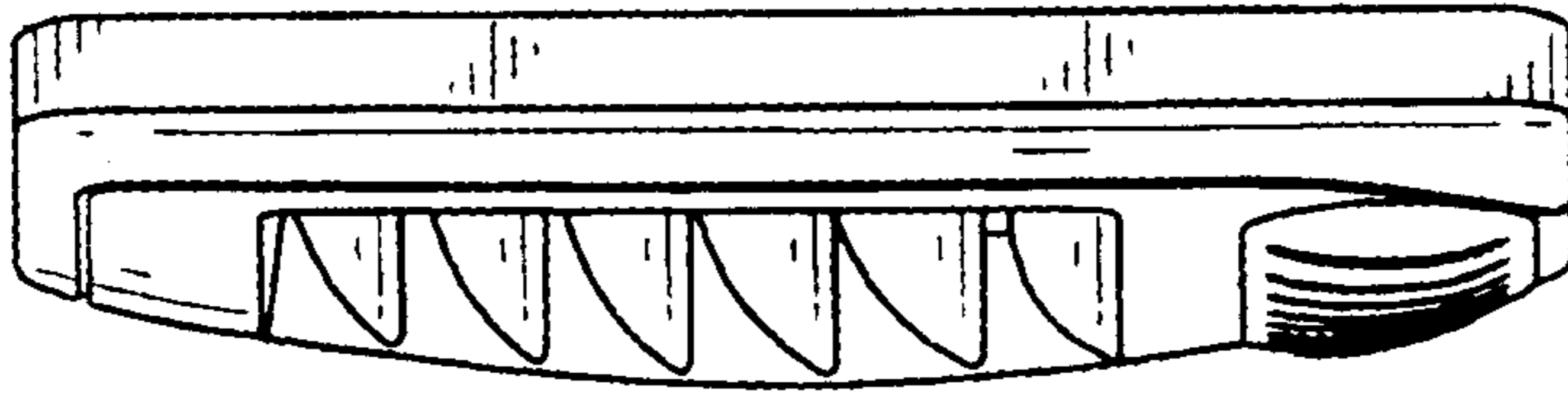


FIG. 5

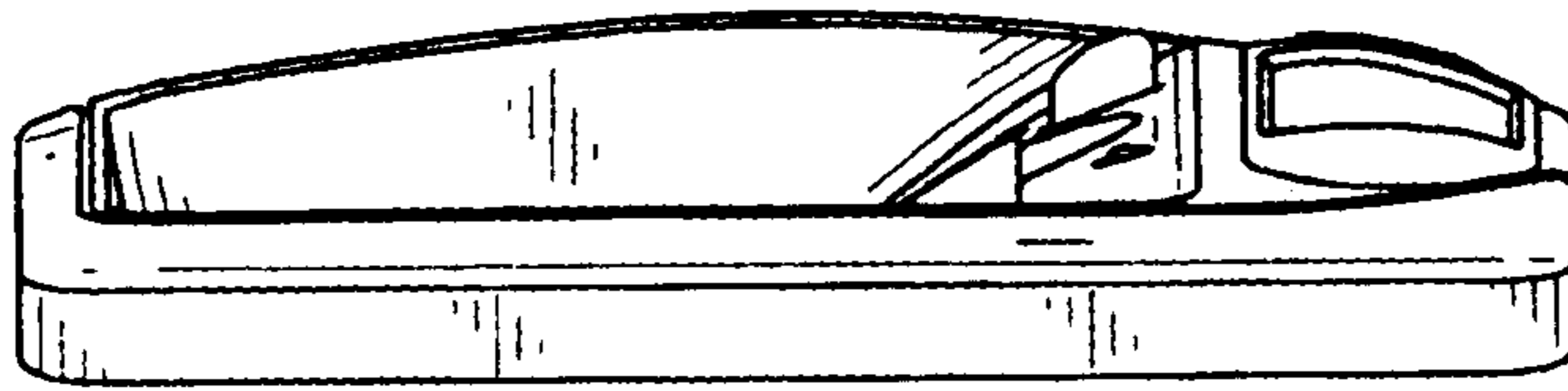


FIG. 4

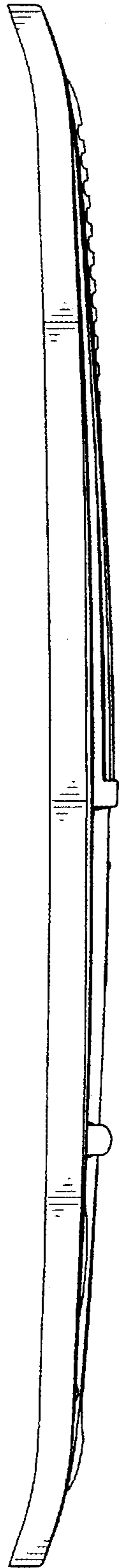


FIG. 6

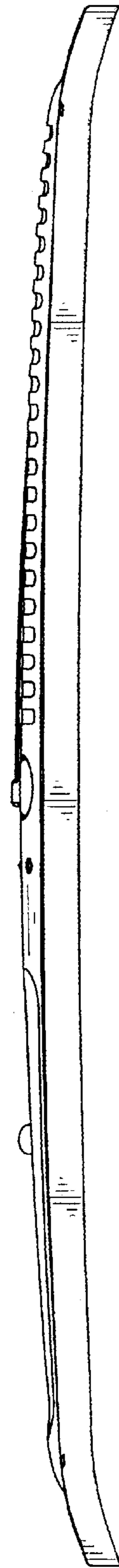


FIG. 7

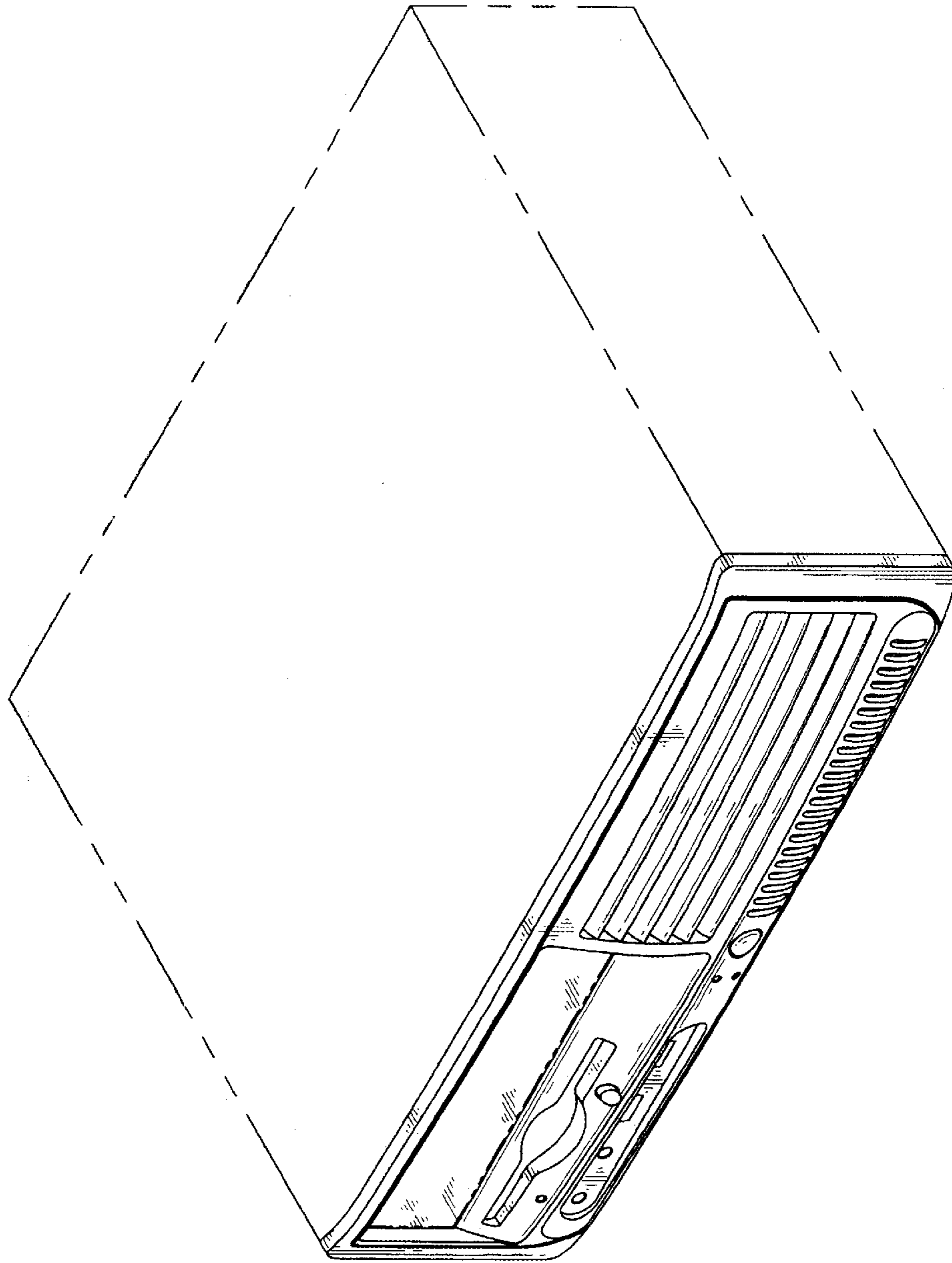


FIG. 8

UNITED STATES PATENT AND TRADEMARK OFFICE
CERTIFICATE OF CORRECTION

PATENT NO. : Des. 536,339 S
APPLICATION NO. : 29/244986
DATED : February 6, 2007
INVENTOR(S) : Chen et al.

Page 1 of 1

It is certified that error appears in the above-identified patent and that said Letters Patent is hereby corrected as shown below:

Title page, item (30) Foreign Application Priority Data, delete "20053007164" and insert --20053007164.8--.

Signed and Sealed this

Seventeenth Day of April, 2007

A handwritten signature in black ink on a light gray dotted background. The signature reads "Jon W. Dudas" in a cursive style.

JON W. DUDAS

Director of the United States Patent and Trademark Office

UNITED STATES PATENT AND TRADEMARK OFFICE
CERTIFICATE OF CORRECTION

PATENT NO. : Des. 536,339 S
APPLICATION NO. : 29/244986
DATED : February 6, 2007
INVENTOR(S) : Chen et al.

Page 1 of 1

It is certified that error appears in the above-identified patent and that said Letters Patent is hereby corrected as shown below:

Title page, item (30) Foreign Application Priority Data, delete "20053007164" and insert --200530071641.8--.

This certificate supersedes Certificate of Correction issued April 17, 2007.

Signed and Sealed this

Twentieth Day of November, 2007

A handwritten signature in black ink on a light gray dotted background. The signature reads "Jon W. Dudas" in a cursive style.

JON W. DUDAS

Director of the United States Patent and Trademark Office