



US00D536331S

(12) **United States Design Patent**
Hussaini et al.

(10) **Patent No.:** **US D536,331 S**

(45) **Date of Patent:** **** Feb. 6, 2007**

(54) **SOUND SYSTEM ACCESSORY FOR ELECTRONIC DEVICE**

(75) Inventors: **Saied Hussaini**, Miami, FL (US); **Marc Iacovelli**, Miami, FL (US)

(73) Assignee: **Intec, Inc.**, Miami, FL (US)

(**) Term: **14 Years**

(21) Appl. No.: **29/231,807**

(22) Filed: **Jun. 10, 2005**

(51) **LOC (8) Cl.** **14-01**

(52) **U.S. Cl.** **D14/217; D14/496**

(58) **Field of Classification Search** D14/204,
D14/214–215, 160–165, 167–168, 132, 345,
D14/188, 217, 256, 496, 172; 181/144–148,
181/150, 152, 198, 199; 381/182, 307, 300–302,
381/386; 455/344, 347–351

See application file for complete search history.

Primary Examiner—Nanda Bondade

(74) *Attorney, Agent, or Firm*—Berenato, White & Stavish

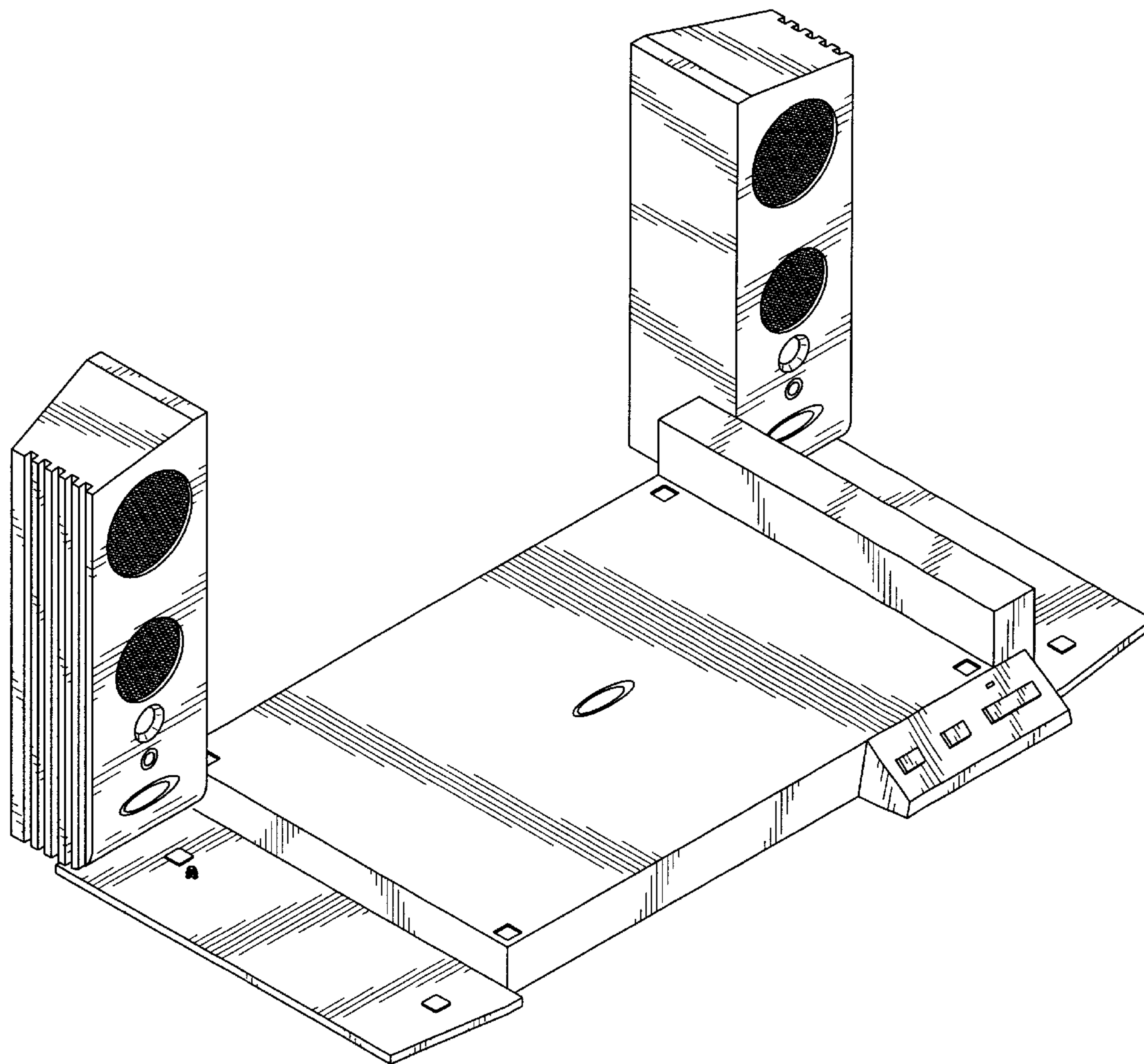
(57) **CLAIM**

The ornamental design for a sound system accessory for electronic device, as shown and described.

DESCRIPTION

FIG. 1 is a perspective view of a sound system accessory for electronic device showing our new design;
FIG. 2 is front view thereof;
FIG. 3 is a rear view thereof;
FIG. 4 is a right side view thereof;
FIG. 5 is a left side view thereof;
FIG. 6 is a top view thereof;
FIG. 7 is a bottom view thereof; and,
FIG. 8 is a perspective view thereof in an alternate position.
The broken line showing on the drawing disclosure is for illustrative purposes only and forms no part of the claimed design.

1 Claim, 8 Drawing Sheets



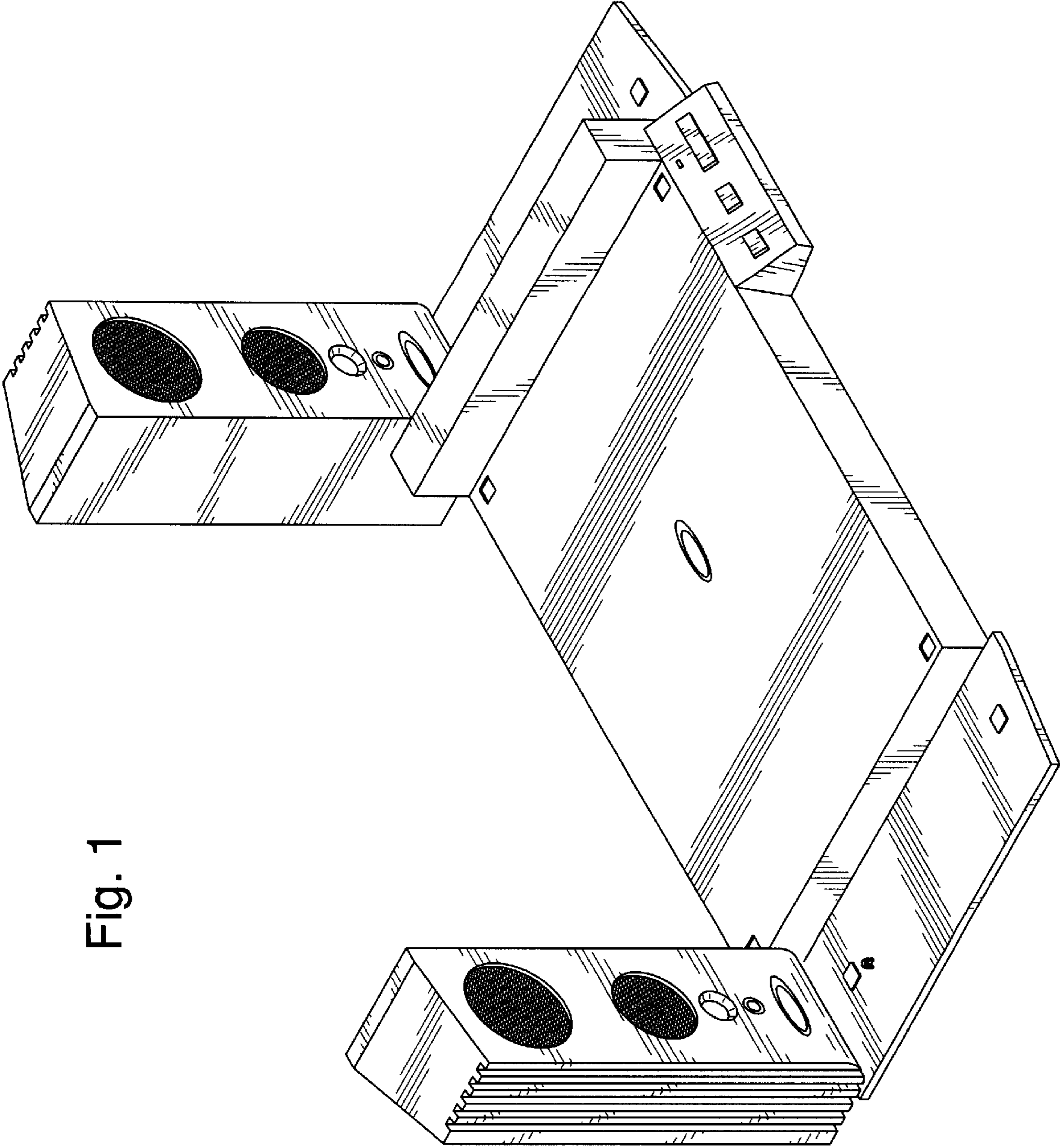


Fig. 1

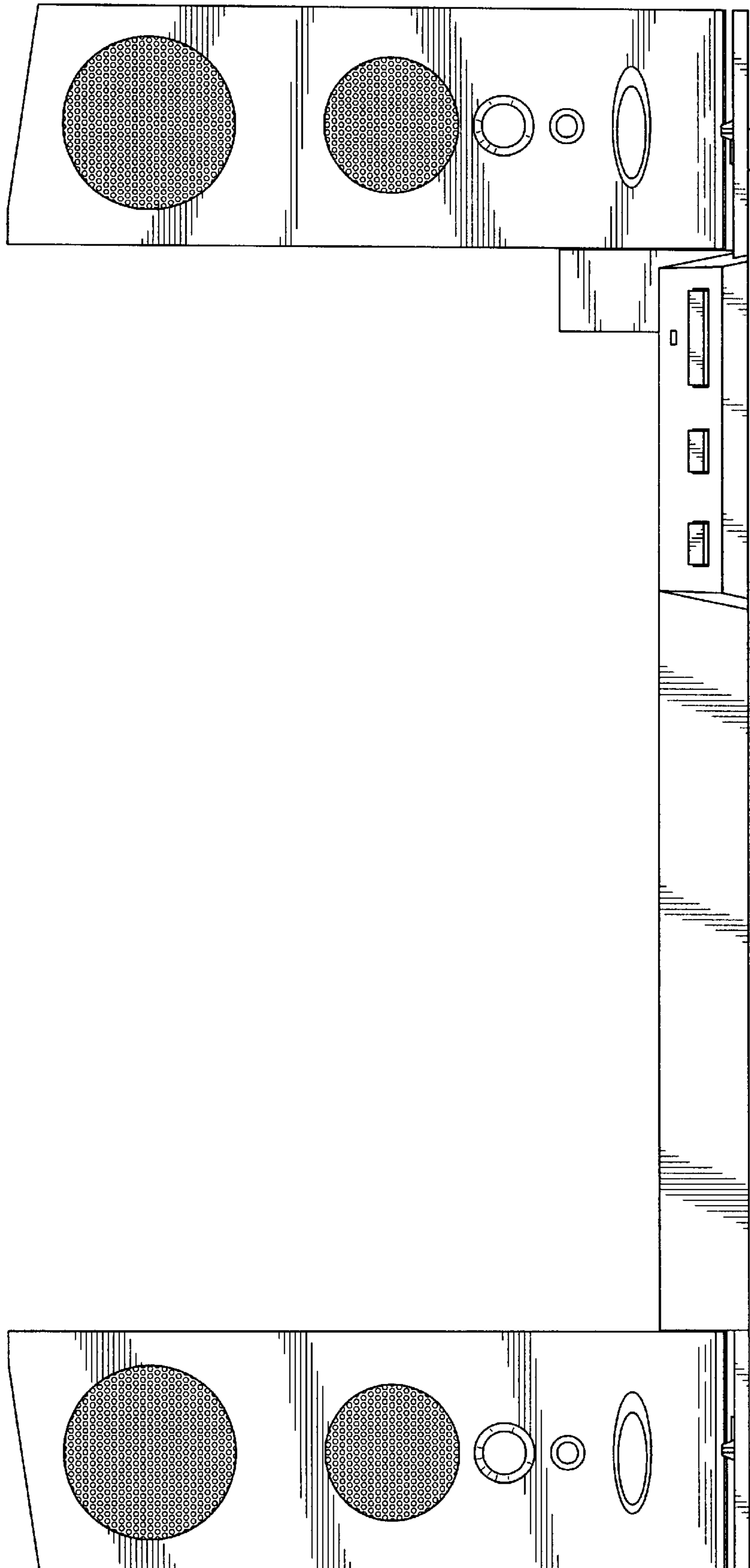
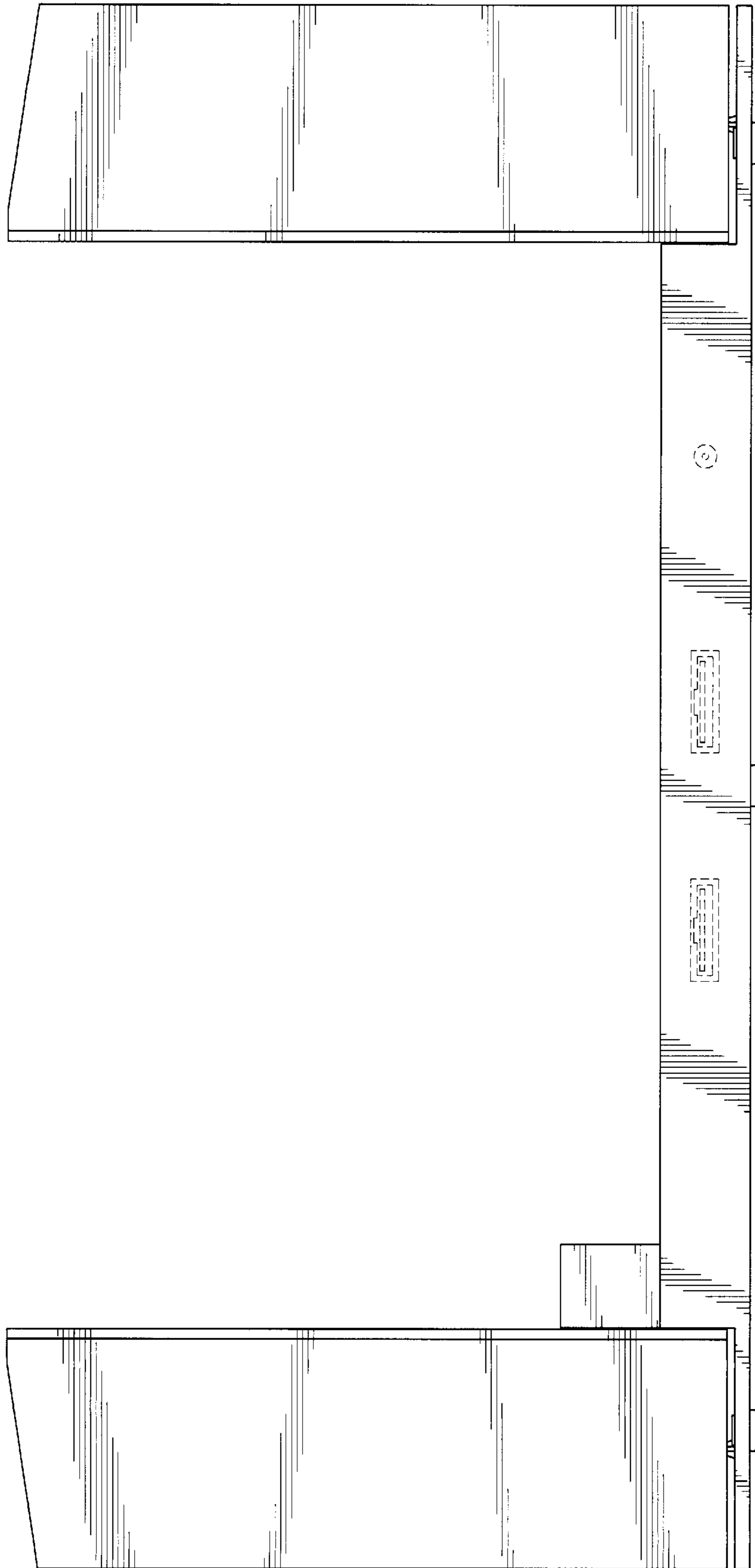


Fig. 2

Fig. 3



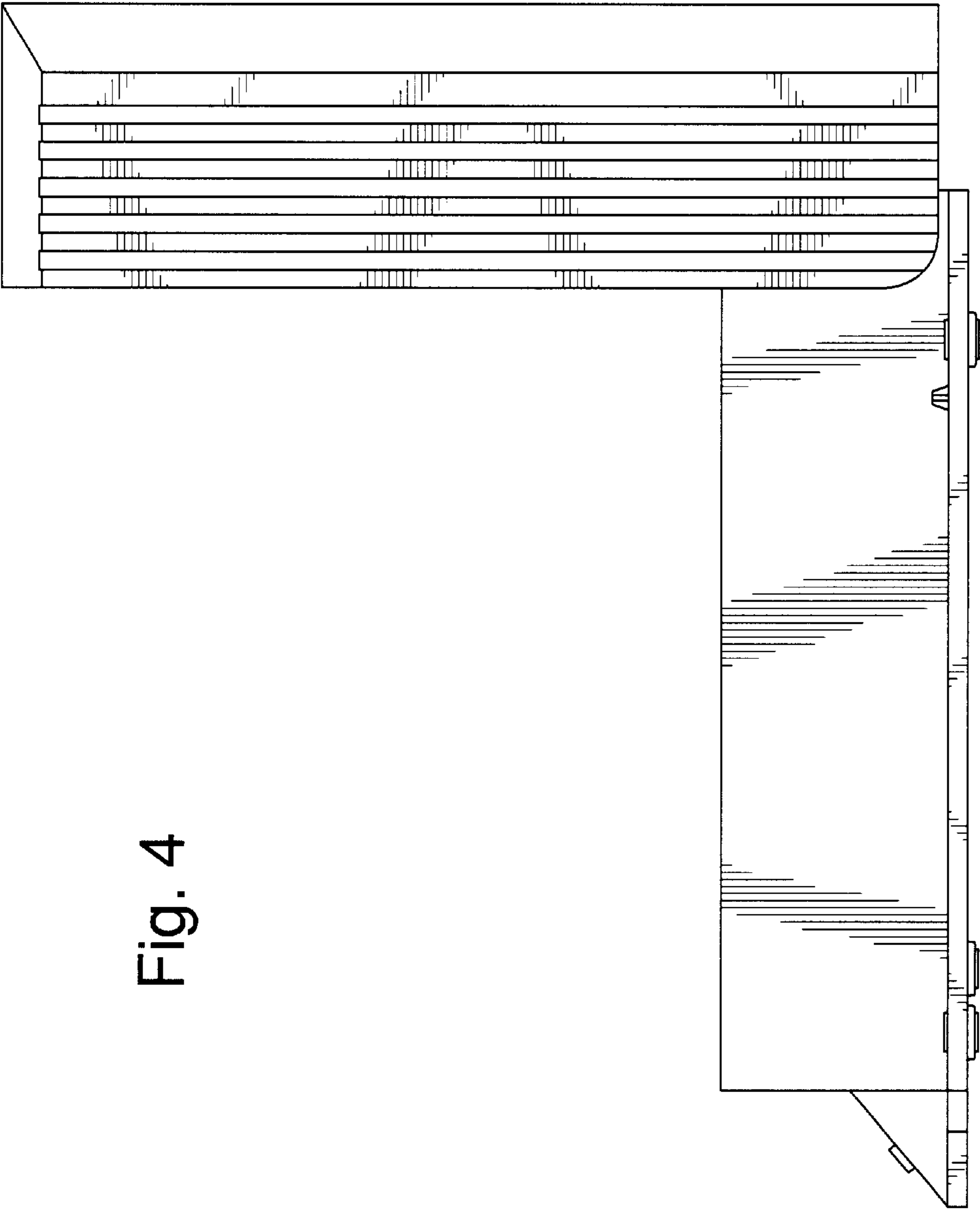
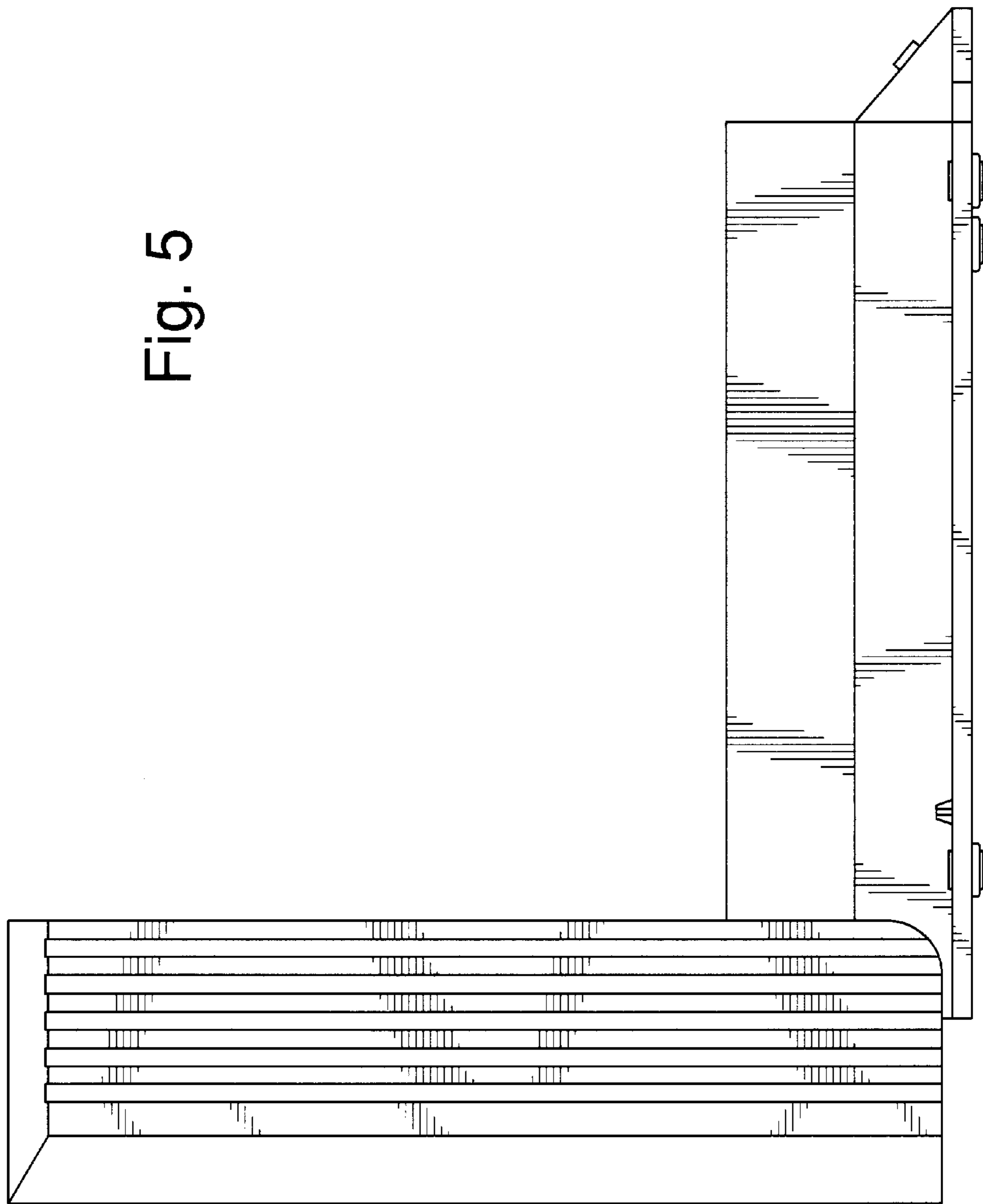


Fig. 4

Fig. 5



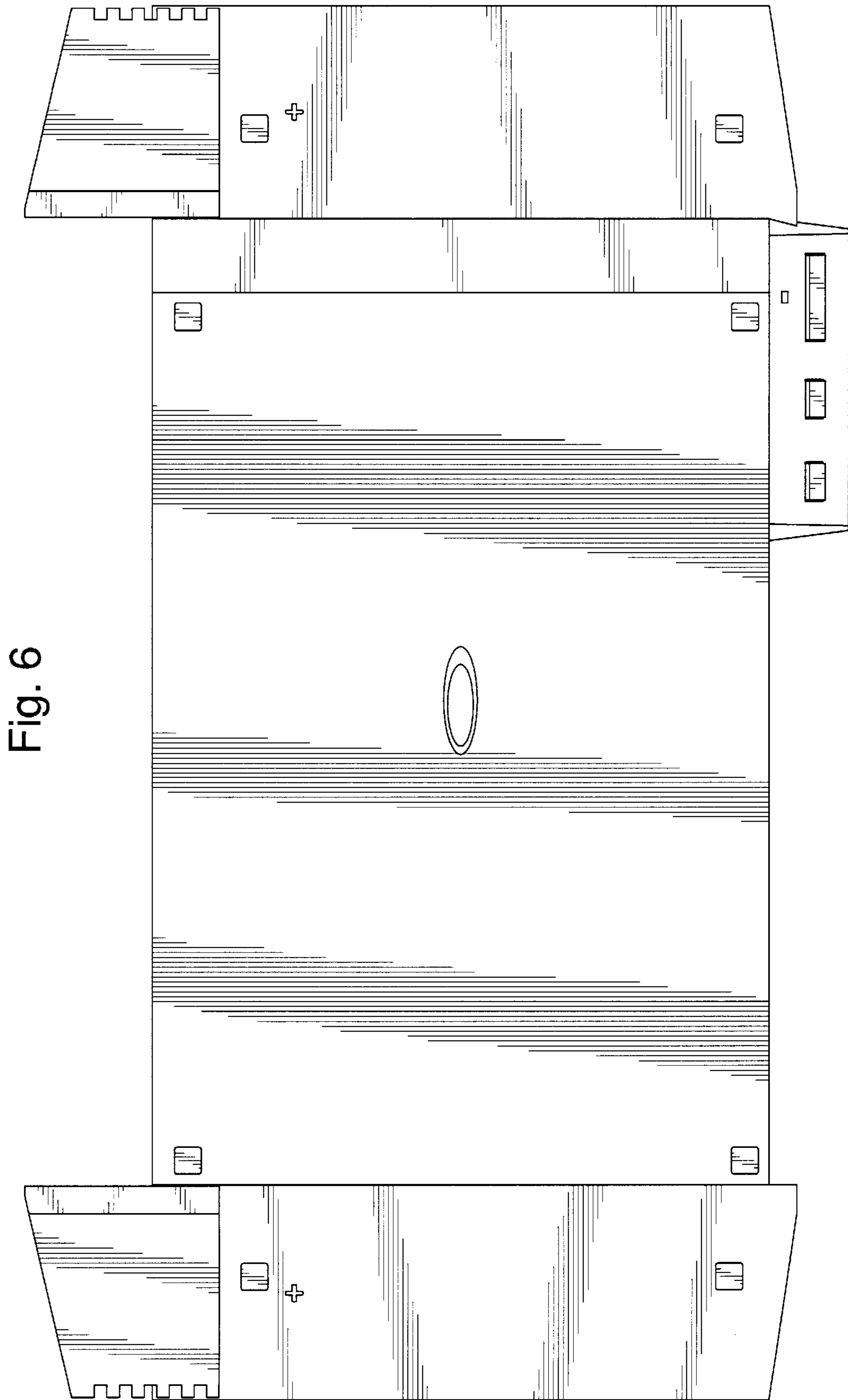


Fig. 6



Fig. 7

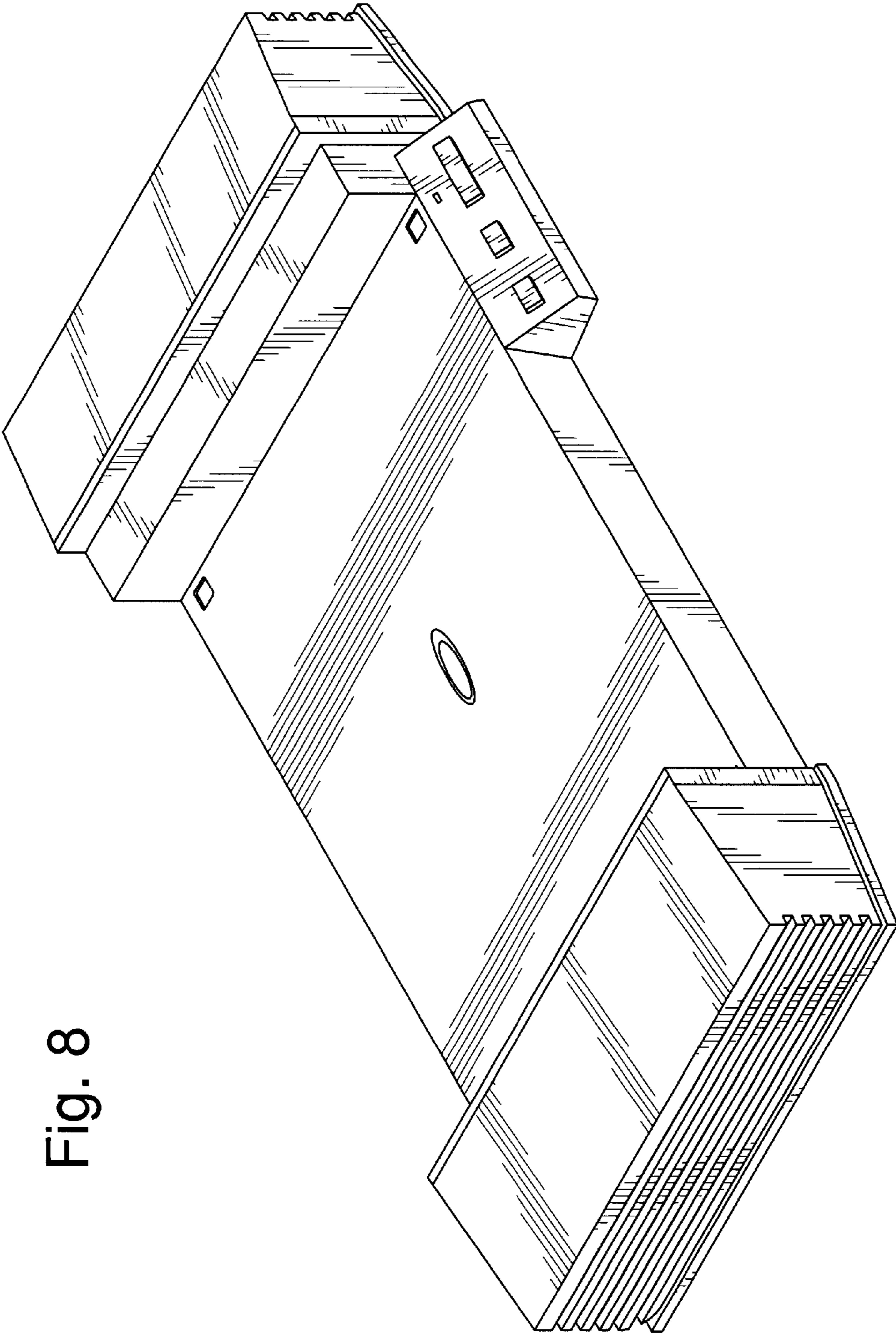


Fig. 8