



US00D536330S

(12) **United States Design Patent**
Tan

(10) **Patent No.:** **US D536,330 S**

(45) **Date of Patent:** **** Feb. 6, 2007**

(54) **SPEAKER**

(75) Inventor: **Chee Kang Keith Tan**, Singapore (SG)

(73) Assignee: **Koninklijke Philips N.V.**, Eindhoven (NL)

(**) Term: **14 Years**

(21) Appl. No.: **29/244,779**

(22) Filed: **Dec. 14, 2005**

(30) **Foreign Application Priority Data**

Jun. 23, 2005 (EM) 000359682-0004

(51) **LOC (8) Cl.** **14-01**

(52) **U.S. Cl.** **D14/211**

(58) **Field of Classification Search** D14/204,
D14/207, 209-216, 172; 181/143-144, 147-148,
181/150, 157, 198-199, 151, 153; 381/300-302,
381/306, 333, 345, 361-364, 386-388, 332,
381/336

See application file for complete search history.

(56) **References Cited**

U.S. PATENT DOCUMENTS

3,059,720 A * 10/1962 Matsuoka 181/153

D436,096 S * 1/2001 Nagele et al. D14/214

6,349,792 B1 * 2/2002 Smith et al. 181/199

D465,212 S * 11/2002 Lytel D14/215

D491,165 S * 6/2004 Hakoda D14/214

D511,339 S * 11/2005 Tsuge D14/214

* cited by examiner

Primary Examiner—Nanda Bondade

(57) **CLAIM**

The ornamental design for a speaker, as shown.

DESCRIPTION

FIG. 1 is a perspective view of a speaker showing my new design;

FIG. 2 is a front elevational view thereof;

FIG. 3 is a rear elevational view thereof;

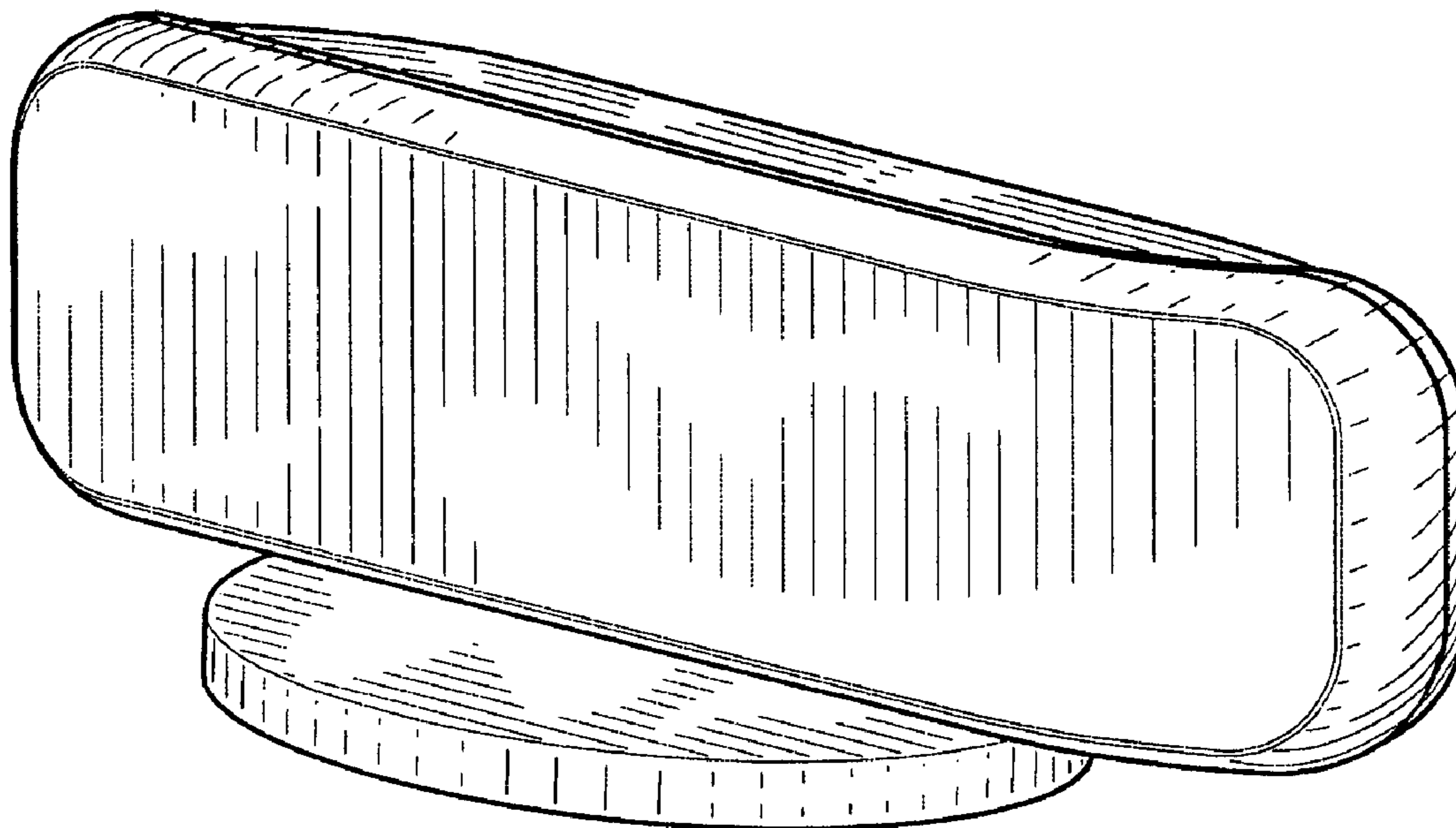
FIG. 4 is a right side elevational view thereof;

FIG. 5 is a left side elevational view thereof;

FIG. 6 is a top plan view thereof; and,

FIG. 7 is a bottom plan view thereof.

1 Claim, 4 Drawing Sheets



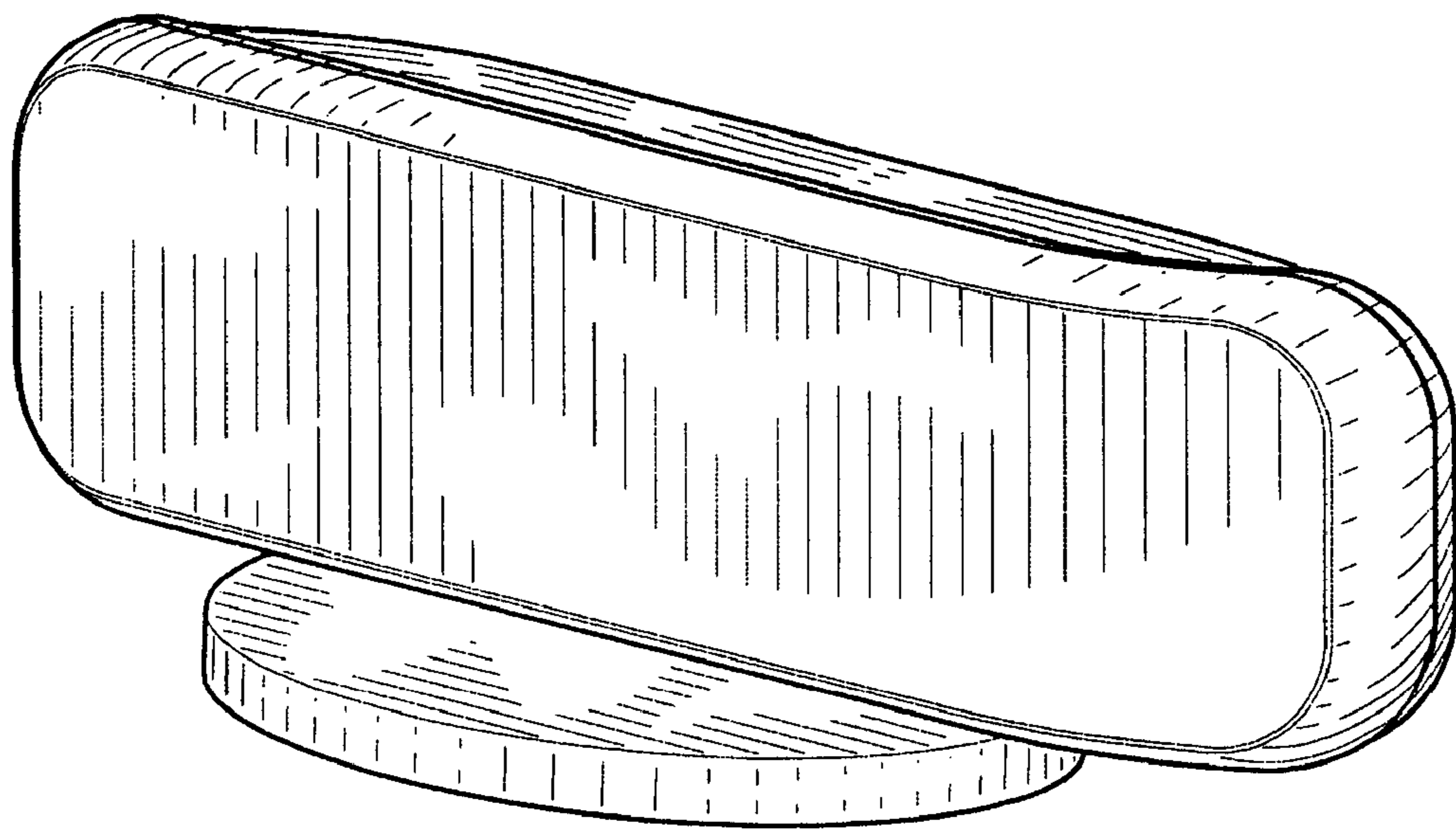


FIG. 1

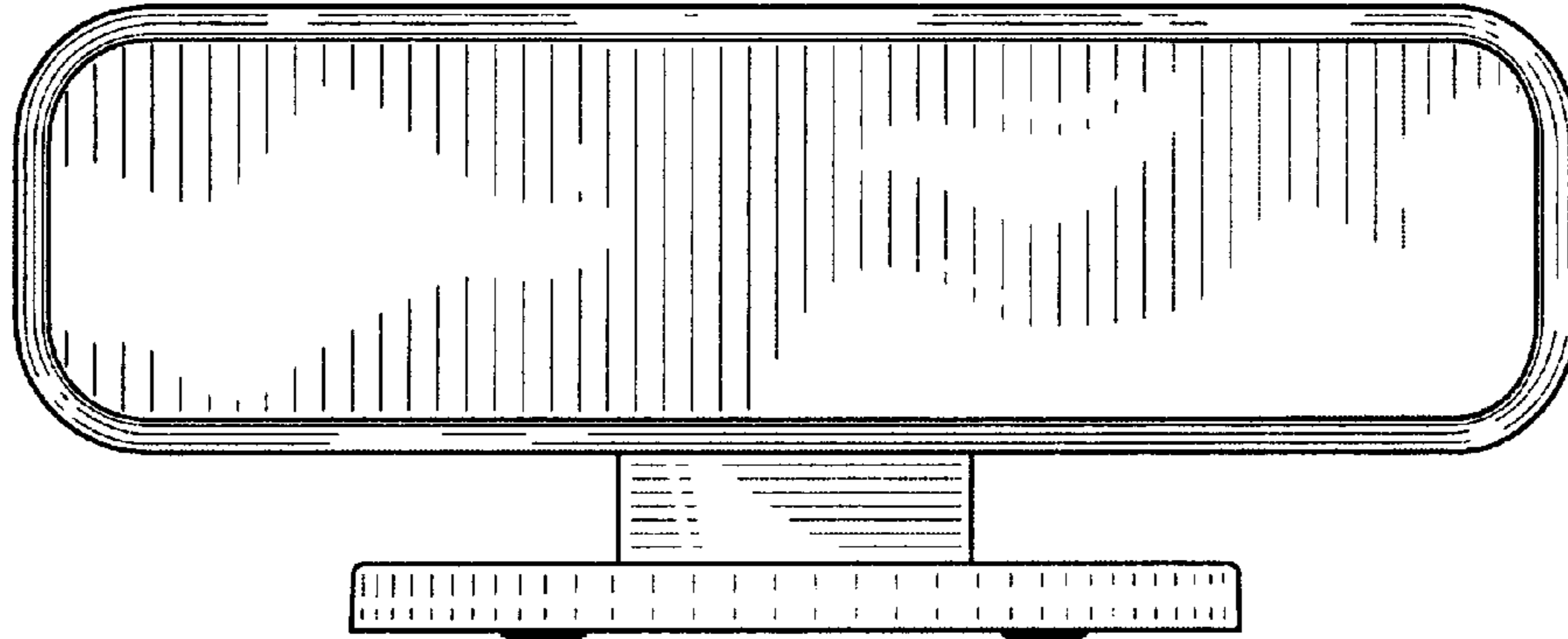


FIG. 2

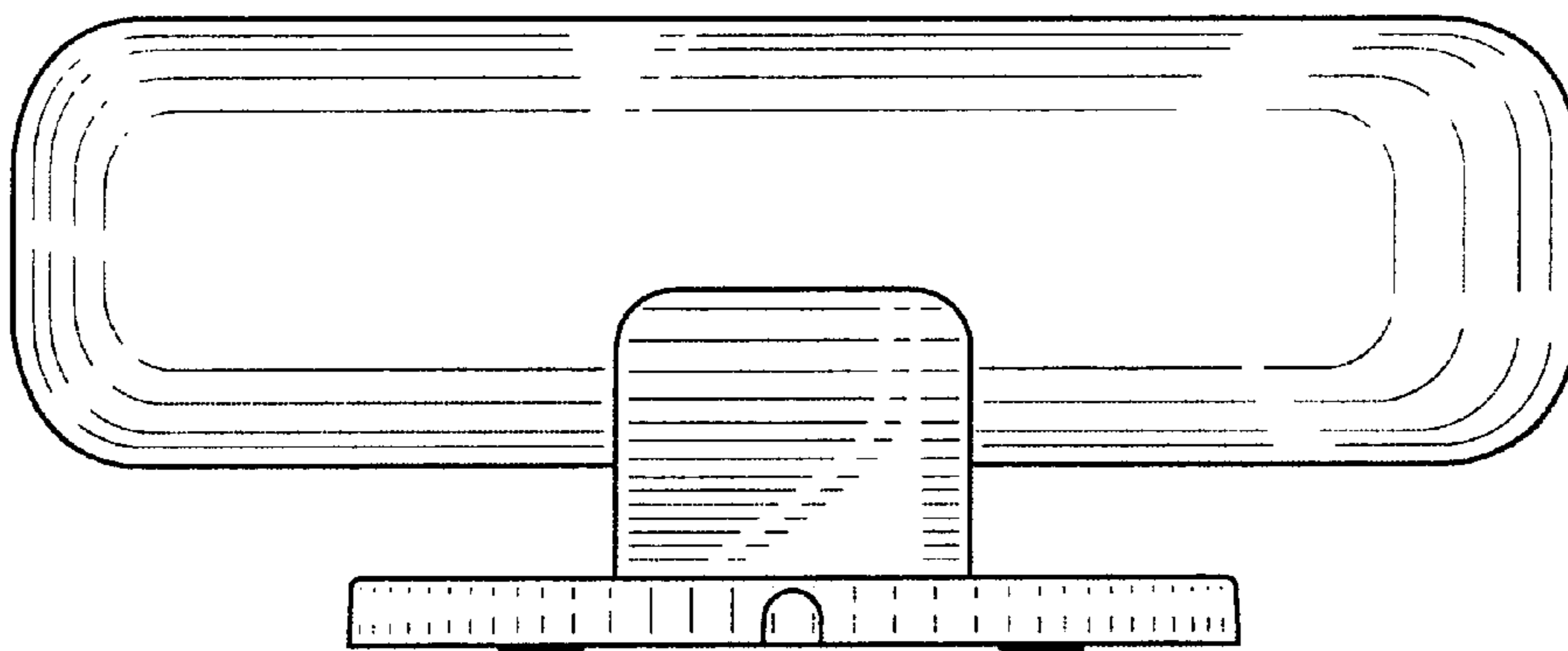


FIG. 3

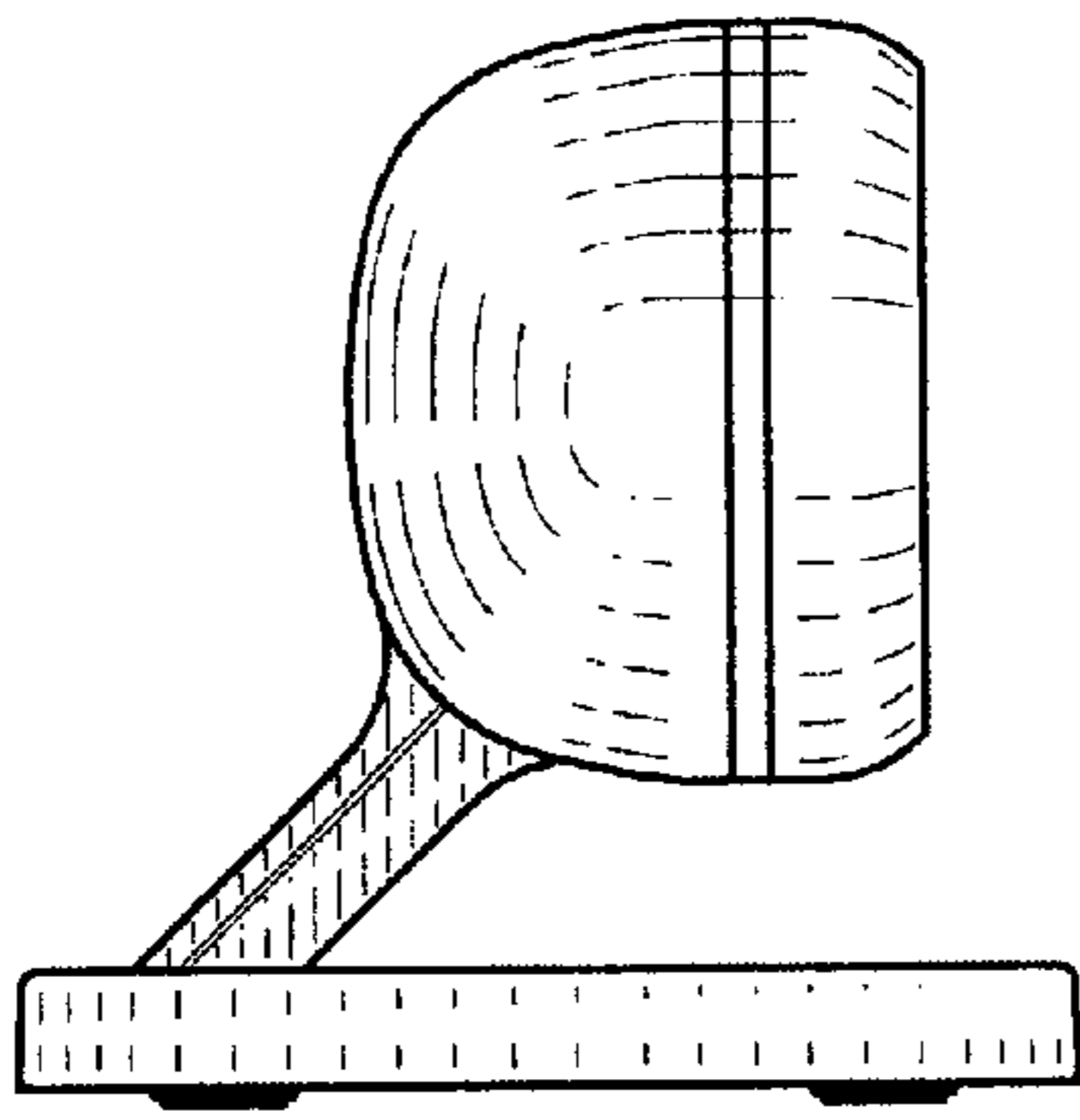


FIG. 4

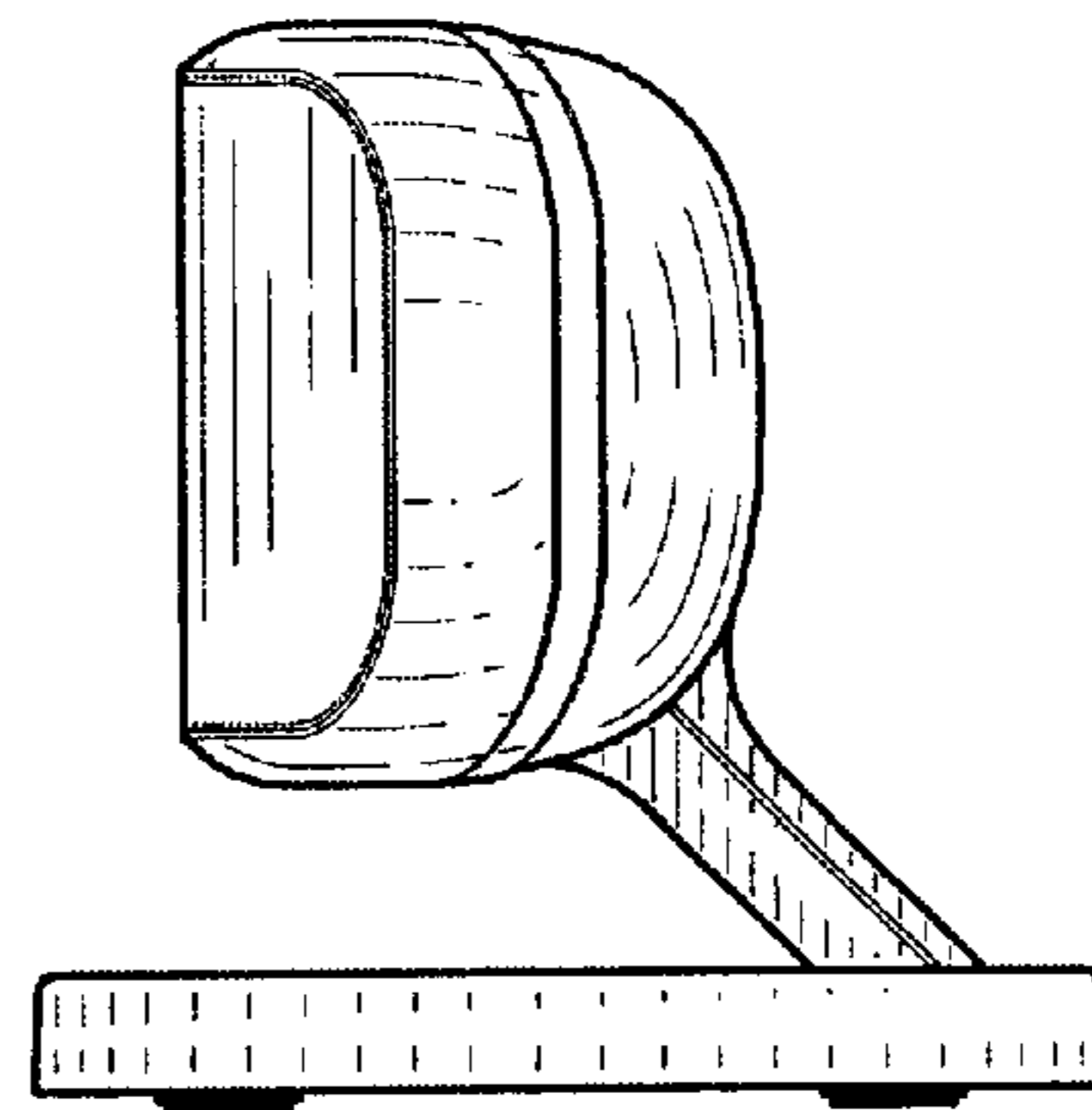


FIG. 5

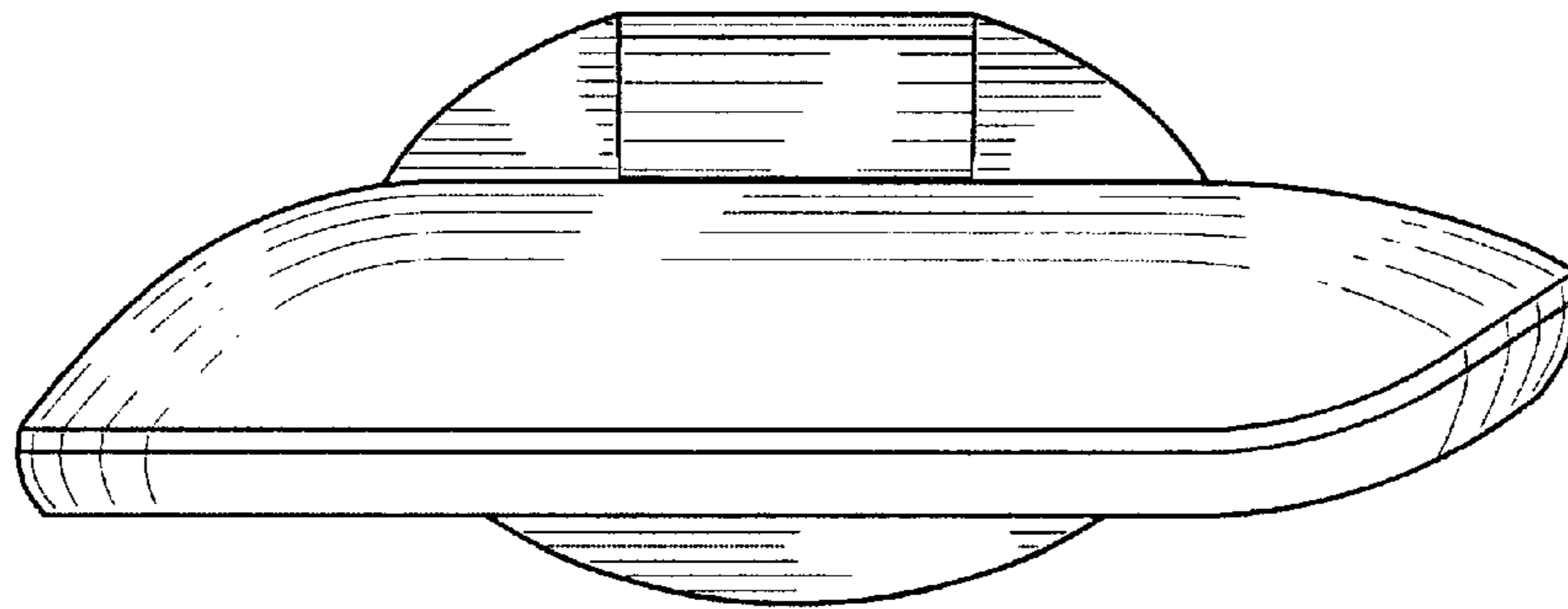


FIG. 6

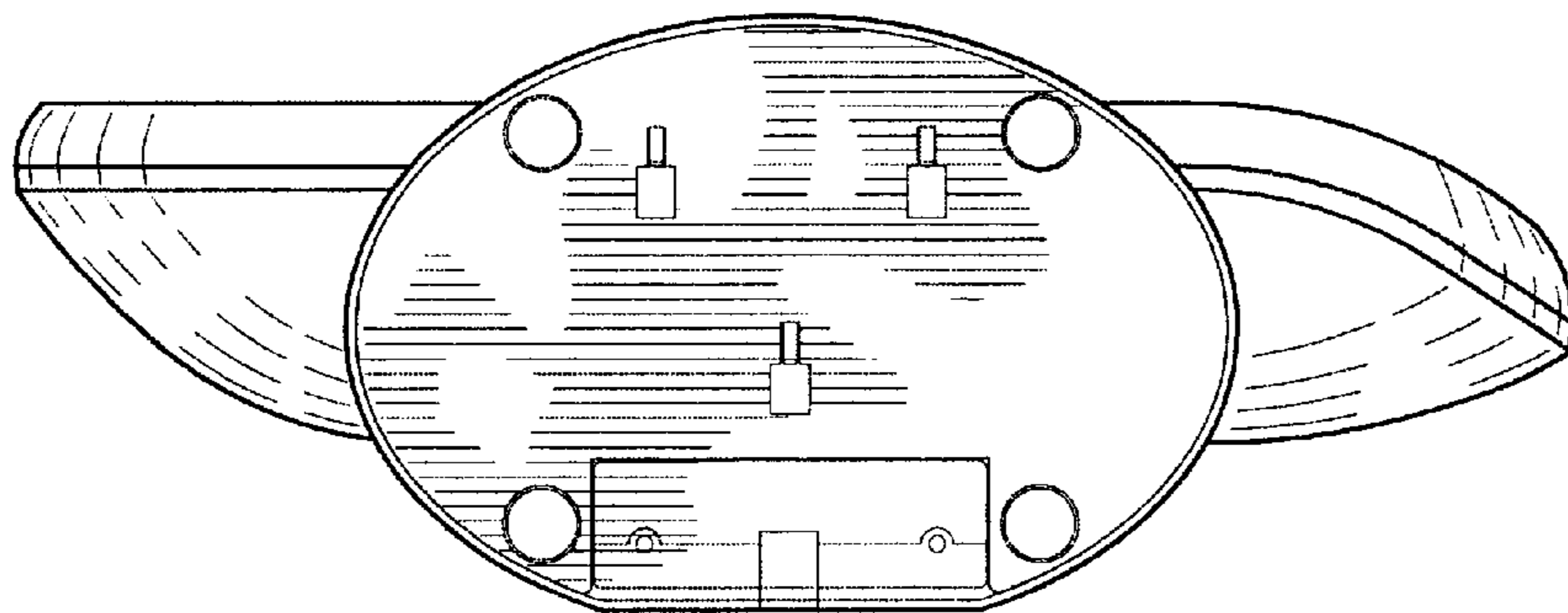


FIG. 7