

US00D536329S

(12) **United States Design Patent**
Lee

(10) **Patent No.:** **US D536,329 S**
(45) **Date of Patent:** **** Feb. 6, 2007**

(54) **MULTIMEDIA PLAYER**
(75) Inventor: **Myoung-yong Lee**, Seongnam-si (KR)
(73) Assignee: **Cowon Systems, Inc.** (KR)
(**) Term: **14 Years**

(21) Appl. No.: **29/251,108**
(22) Filed: **Jan. 4, 2006**

(30) **Foreign Application Priority Data**

Nov. 11, 2005 (KR) 30-2005-0037967

(51) **LOC (8) Cl.** **14-03**
(52) **U.S. Cl.** **D14/156**; D14/496
(58) **Field of Classification Search** D14/496,
D14/435, 156, 157, 160, 167, 168, 204, 474,
D14/483, 217; 369/1, 2, 75.11, 86, 99, 12;
370/342-344; 455/344-351; 463/1, 43-47;
273/148 B

See application file for complete search history.

(56) **References Cited**

U.S. PATENT DOCUMENTS

5,825,408 A * 10/1998 Yuyama et al. 348/14.01
5,859,594 A * 1/1999 King et al. 340/7.55
D442,934 S * 5/2001 Volanski D14/156
6,639,577 B2 * 10/2003 Eberhard 345/102

6,671,567 B1 * 12/2003 Dwyer et al. 700/94
D493,779 S * 8/2004 Lee D14/156
6,769,603 B2 * 8/2004 Nagai et al. 235/375
D509,834 S * 9/2005 Kataoka D14/496
D511,347 S * 11/2005 Naruki D14/496
6,977,675 B2 * 12/2005 Kotzin 348/208.2
D515,098 S * 2/2006 Lee D14/496
D516,578 S * 3/2006 Matsuoka D14/496
D521,023 S * 5/2006 Kim et al. D14/496

* cited by examiner

Primary Examiner—Prabhakar Deshmukh
(74) *Attorney, Agent, or Firm*—Cantor Colburn LLP

(57) **CLAIM**

I claim, the ornamental design for a multimedia player, as shown and described.

DESCRIPTION

FIG. 1 is a top and front perspective view of a multimedia player, showing my new design;
FIG. 2 is a front elevational view thereof;
FIG. 3 is a rear elevational view thereof;
FIG. 4 is a left side elevational view thereof;
FIG. 5 is a right side elevational view thereof;
FIG. 6 is a top plan view thereof; and,
FIG. 7 is a bottom plan view thereof.

1 Claim, 6 Drawing Sheets

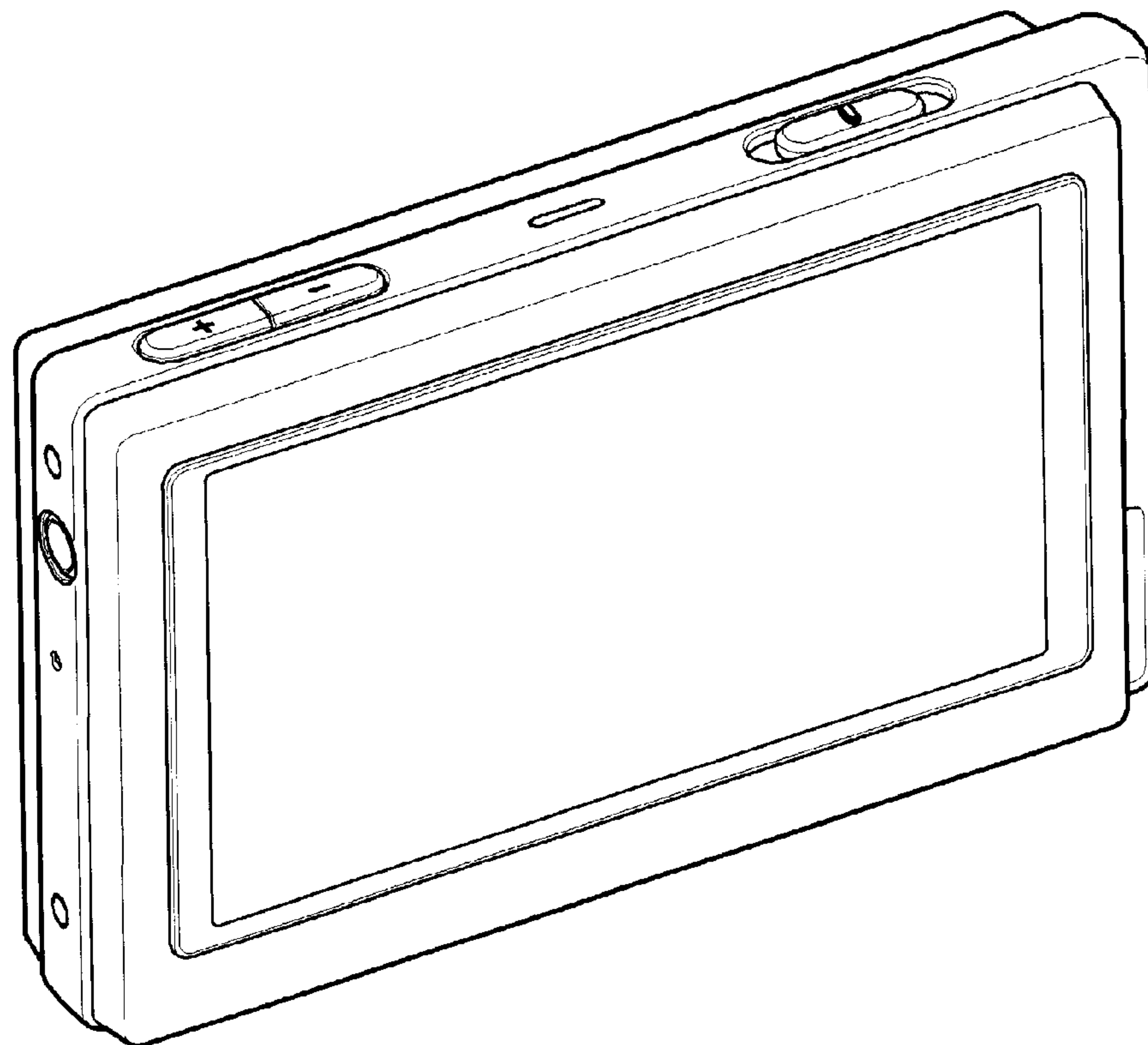


FIG. 1

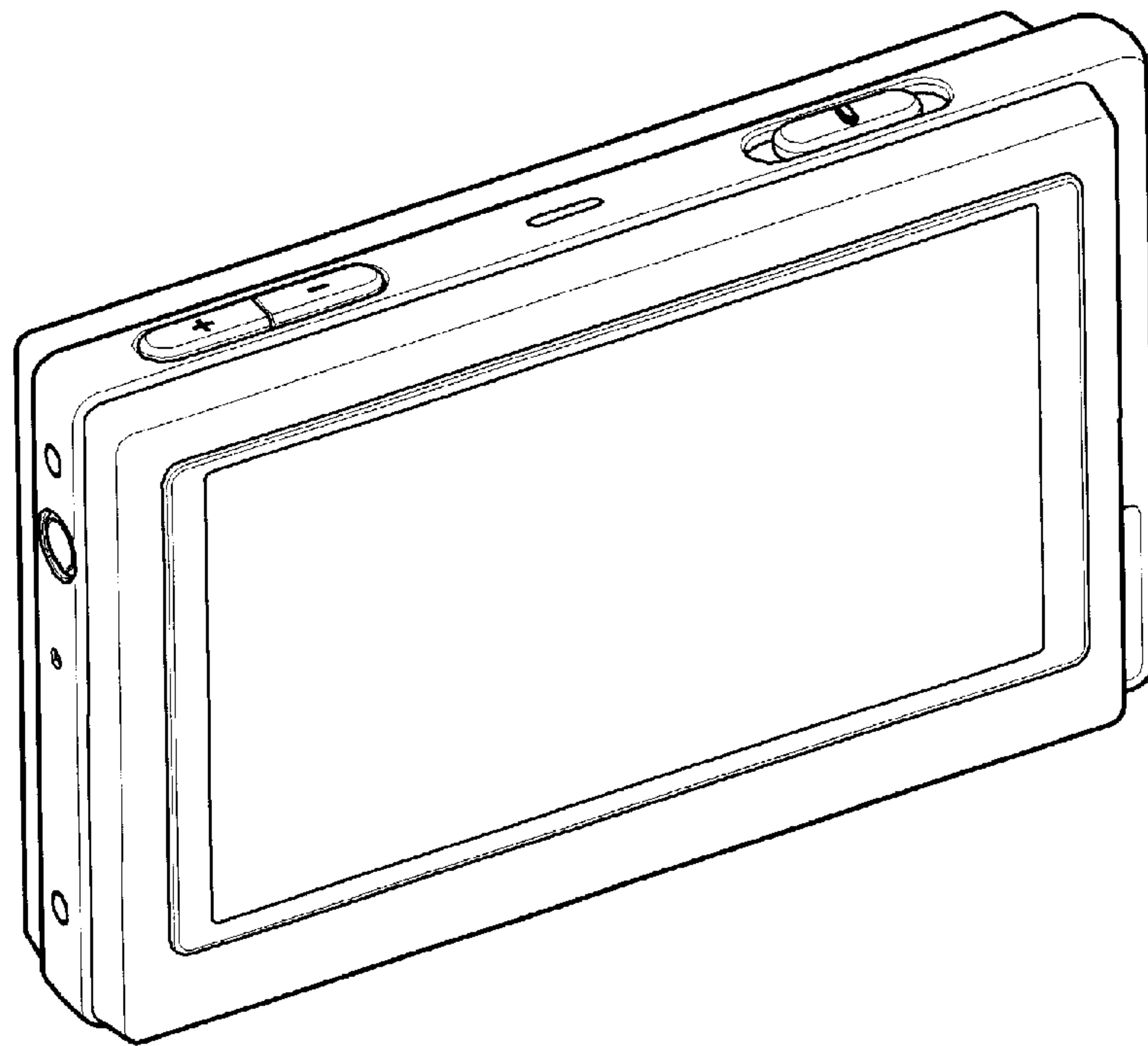


FIG.2

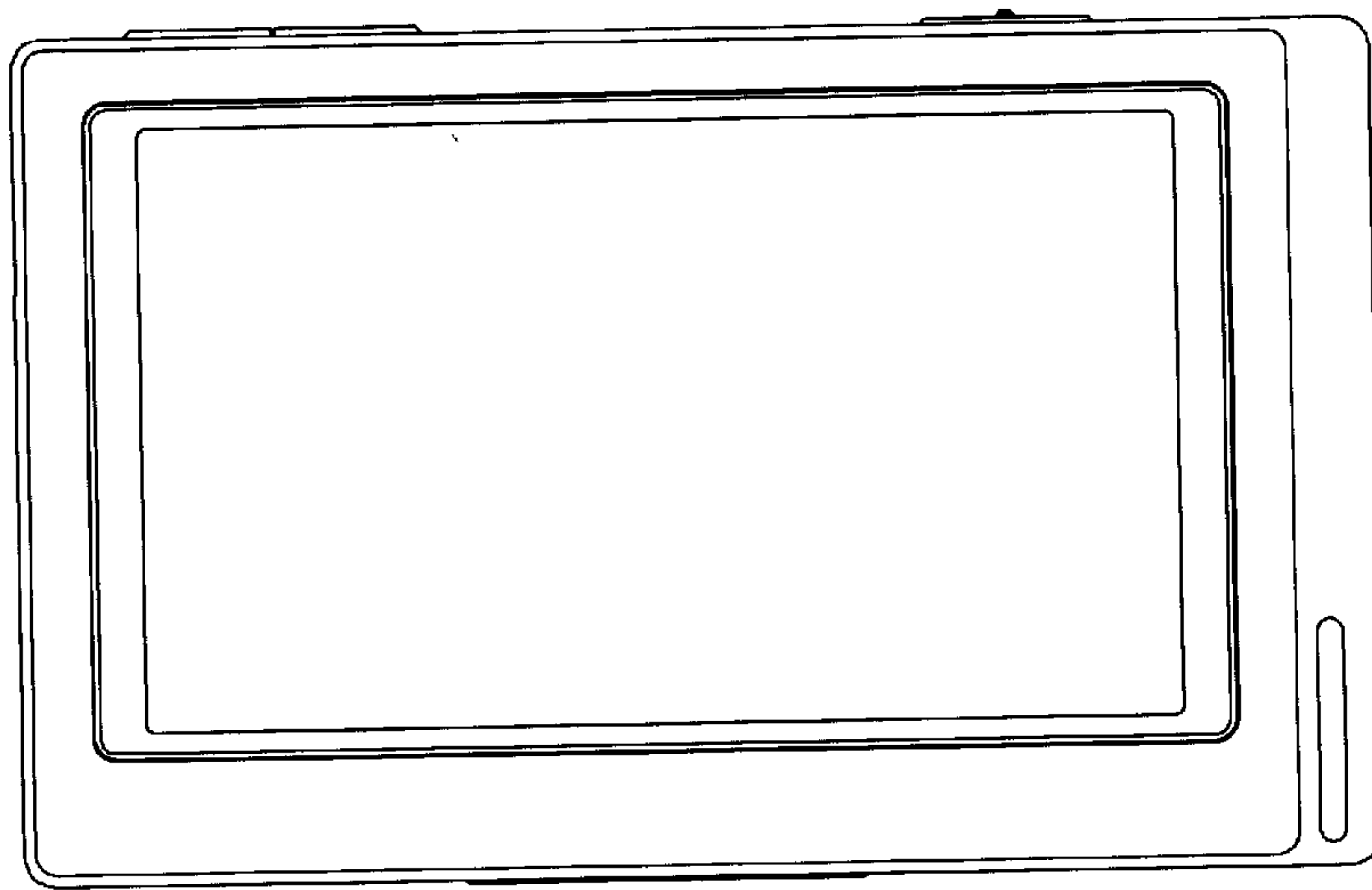


FIG.3

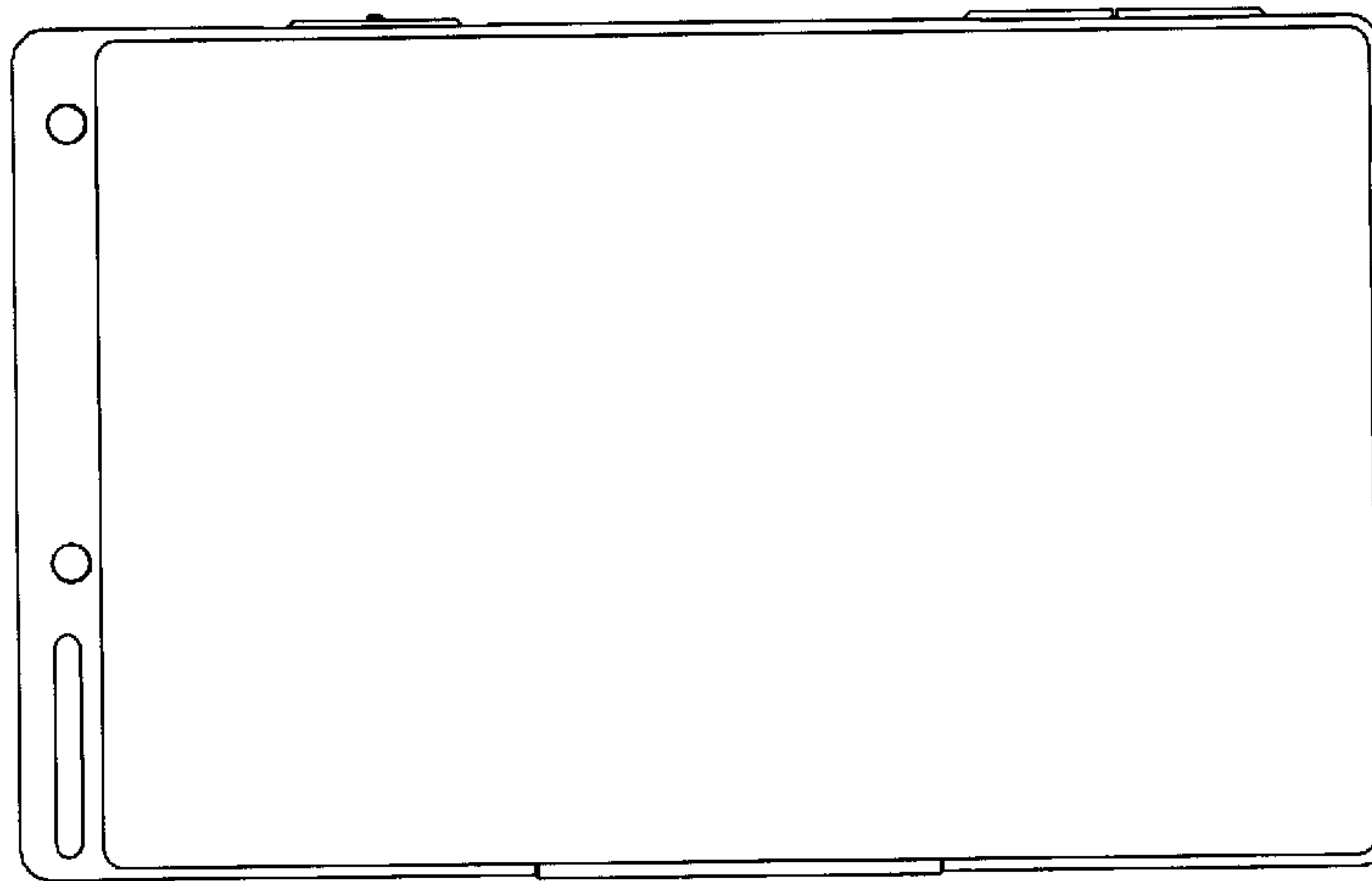


FIG.4

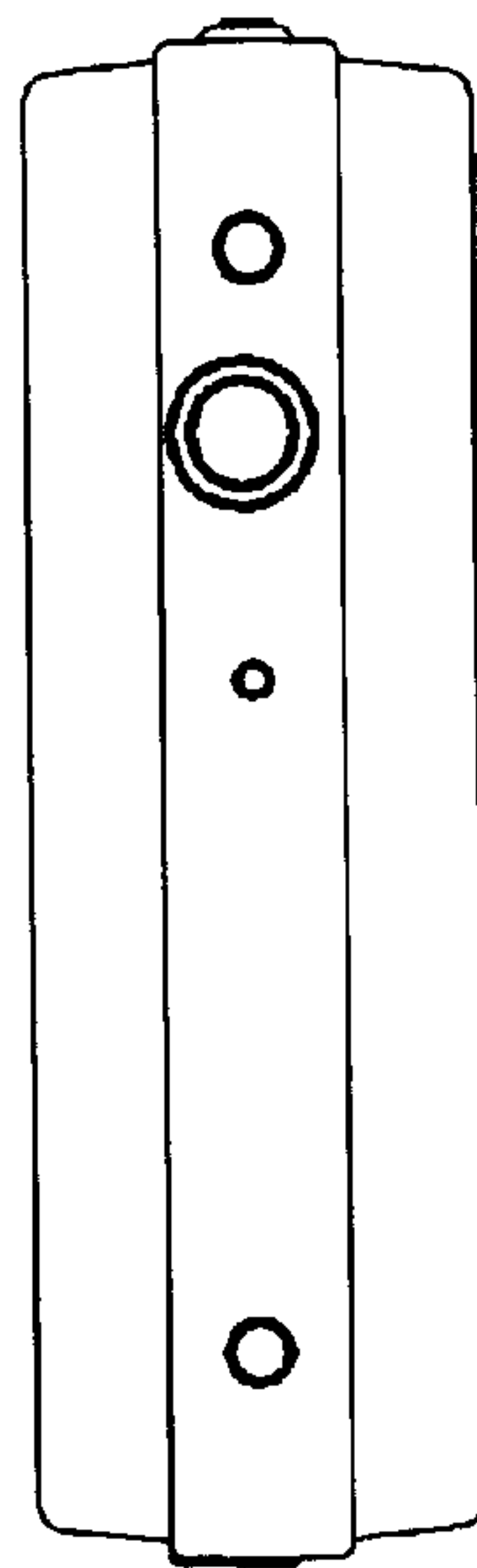


FIG. 5

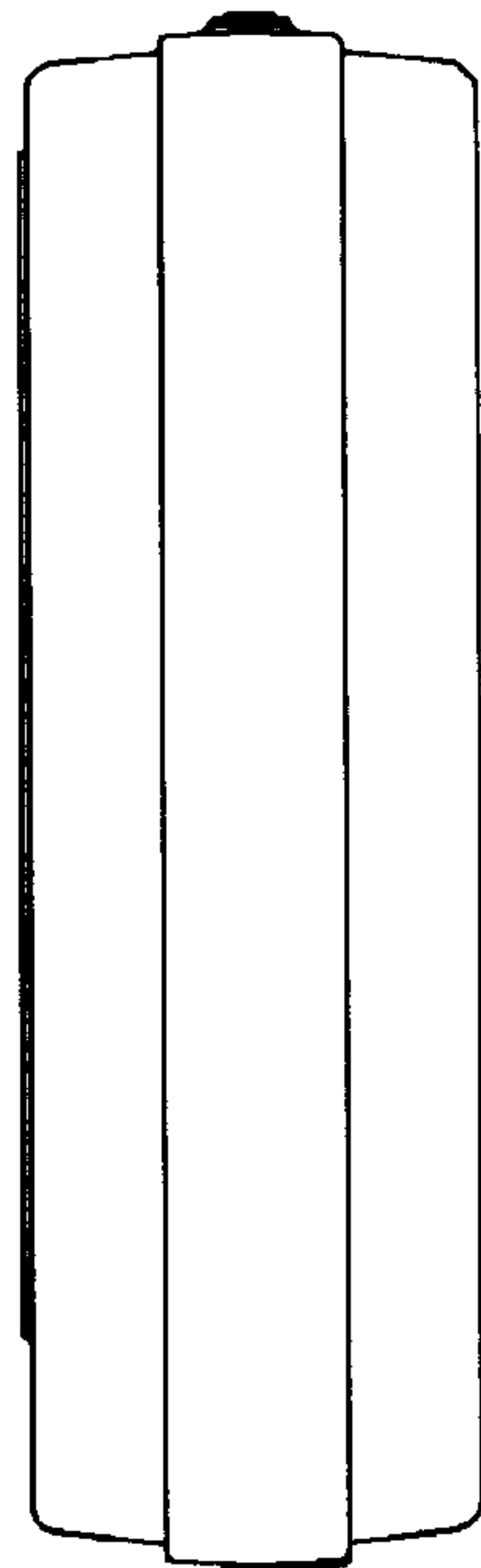


FIG.6

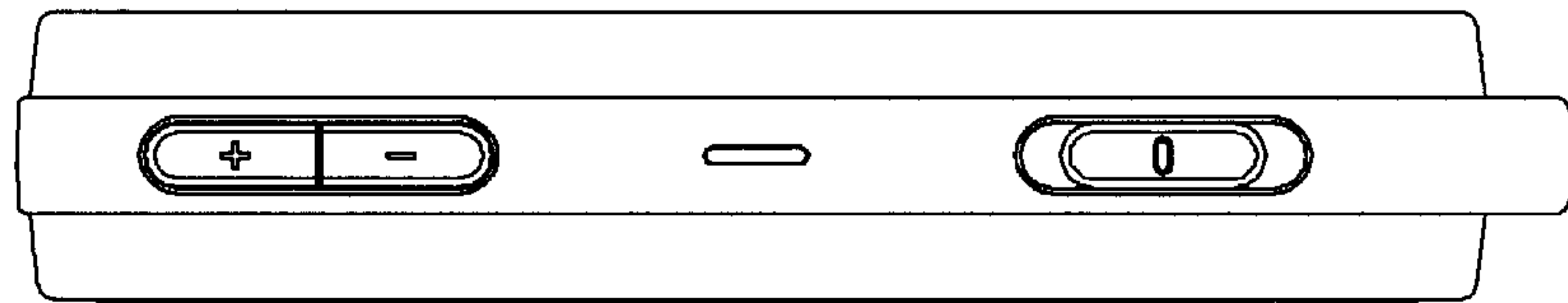


FIG.7

