



US00D536328S

(12) **United States Design Patent** (10) **Patent No.:** **US D536,328 S**
Chou et al. (45) **Date of Patent:** **** Feb. 6, 2007**

(54) **TELEPHONE**

(75) Inventors: **Ya-Chyi Chou**, Taipei (TW); **Yi-Hsiu Tang**, Taipei (TW)

(73) Assignee: **Inventec Multimedia & Telecom Corporation**, Taipei (TW)

(**) Term: **14 Years**

(21) Appl. No.: **29/230,814**

(22) Filed: **May 27, 2005**

(51) **LOC (8) Cl.** **14-03**

(52) **U.S. Cl.** **D14/151**

(58) **Field of Classification Search** D14/144,
D14/137-138, 140, 142, 147-151, 240, 248;
379/419, 440, 434-436, 454-455
See application file for complete search history.

(56) **References Cited**

U.S. PATENT DOCUMENTS

D375,095 S * 10/1996 Hillenmayer et al. D14/151
D428,000 S * 7/2000 Takayama et al. D14/140.9
6,445,793 B1 * 9/2002 Vassallo et al. 379/428.01
D472,227 S * 3/2003 Takayama et al. D14/151
D482,342 S * 11/2003 Weidinger D14/151
2004/0234071 A1 * 11/2004 Bae et al. 379/419
2005/0069126 A1 * 3/2005 Xue 379/454

FOREIGN PATENT DOCUMENTS

WO DM/052908 * 7/2000

OTHER PUBLICATIONS

“Linskys SPA-941 2 or 4-line IP Telephone”, 3-p including photo, [online], <URL:http://voipstore.atacomm.com/Shops/ViewItem.aspx/27934028032-47512667392.htm>, site visited May 12, 2006.*

* cited by examiner

Primary Examiner—Ian Simmons
Assistant Examiner—Carla Jobe Wright

(74) *Attorney, Agent, or Firm*—Birch, Stewart, Kolasch & Birch, LLP.

(57) **CLAIM**

The ornamental design for a telephone, as shown and described.

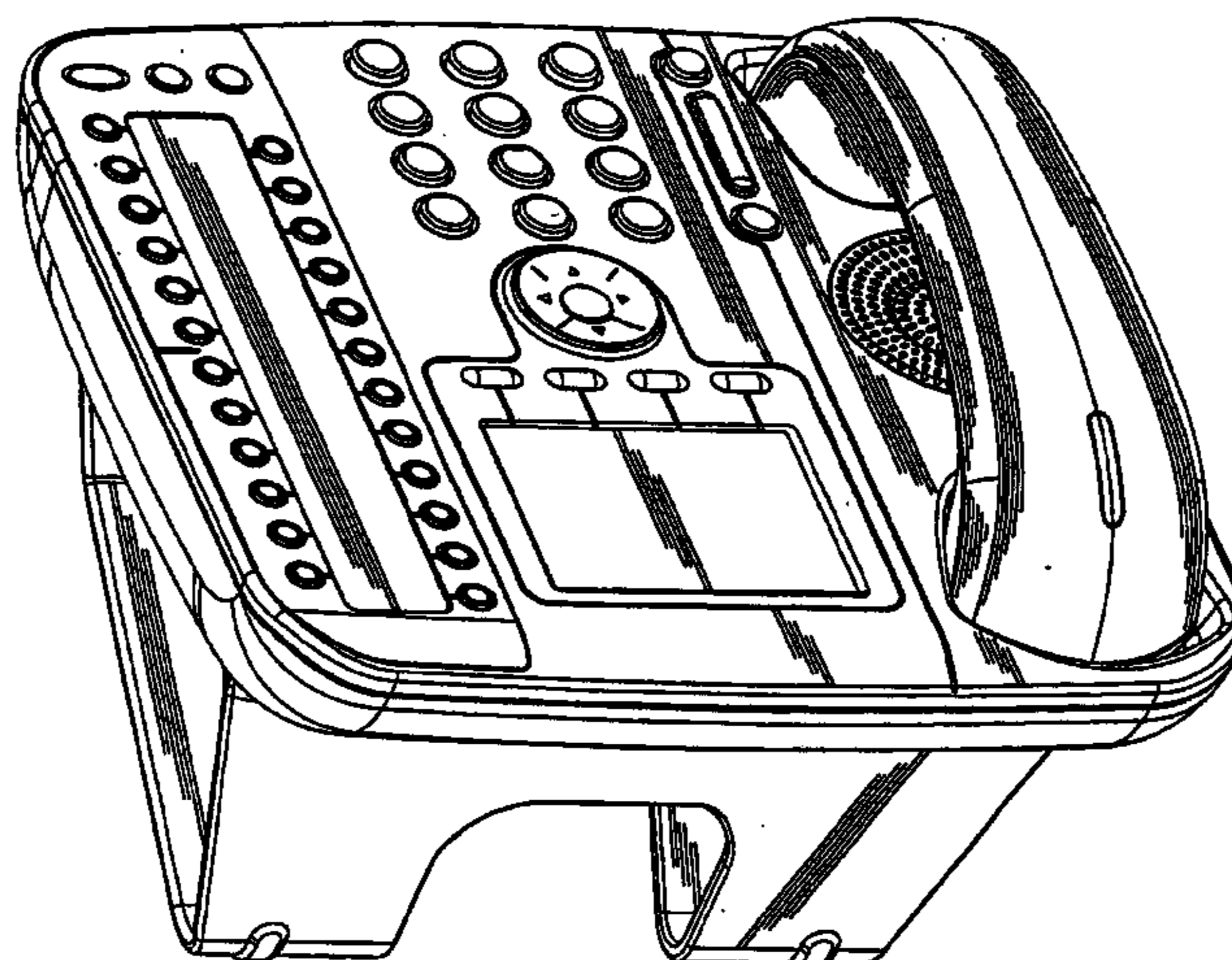
DESCRIPTION

FIG. 1 is a perspective view of a design for a telephone in accordance with a first embodiment;
FIG. 2 is a front elevational view thereof;
FIG. 3 is a rear elevational view thereof;
FIG. 4 is a left side elevational view thereof;
FIG. 5 is a right side elevational view thereof;
FIG. 6 is a top plan view thereof;
FIG. 7 is a bottom plan view thereof;
FIG. 8 is a perspective view of a design for a telephone in accordance with a second embodiment;
FIG. 9 is a front elevational view thereof;
FIG. 10 is a rear elevational view thereof;
FIG. 11 is a left side elevational view thereof;
FIG. 12 is a right side elevation view thereof;
FIG. 13 is a top plan view thereof;
FIG. 14 is a bottom plan view thereof;
FIG. 15 is a top view of the handset;
FIG. 16 is a front view of the handset;
FIG. 17 is a side view of the handset;
FIG. 18 is a rear view of the handset; and,
FIG. 19 is a bottom view of the handset.

The telephone base and handset have been shown separately in some views to show portions not visible when in a combined state.

The views of the handset shown in FIGS. 15-19 are applicable to both embodiments of the telephone design.

1 Claim, 15 Drawing Sheets



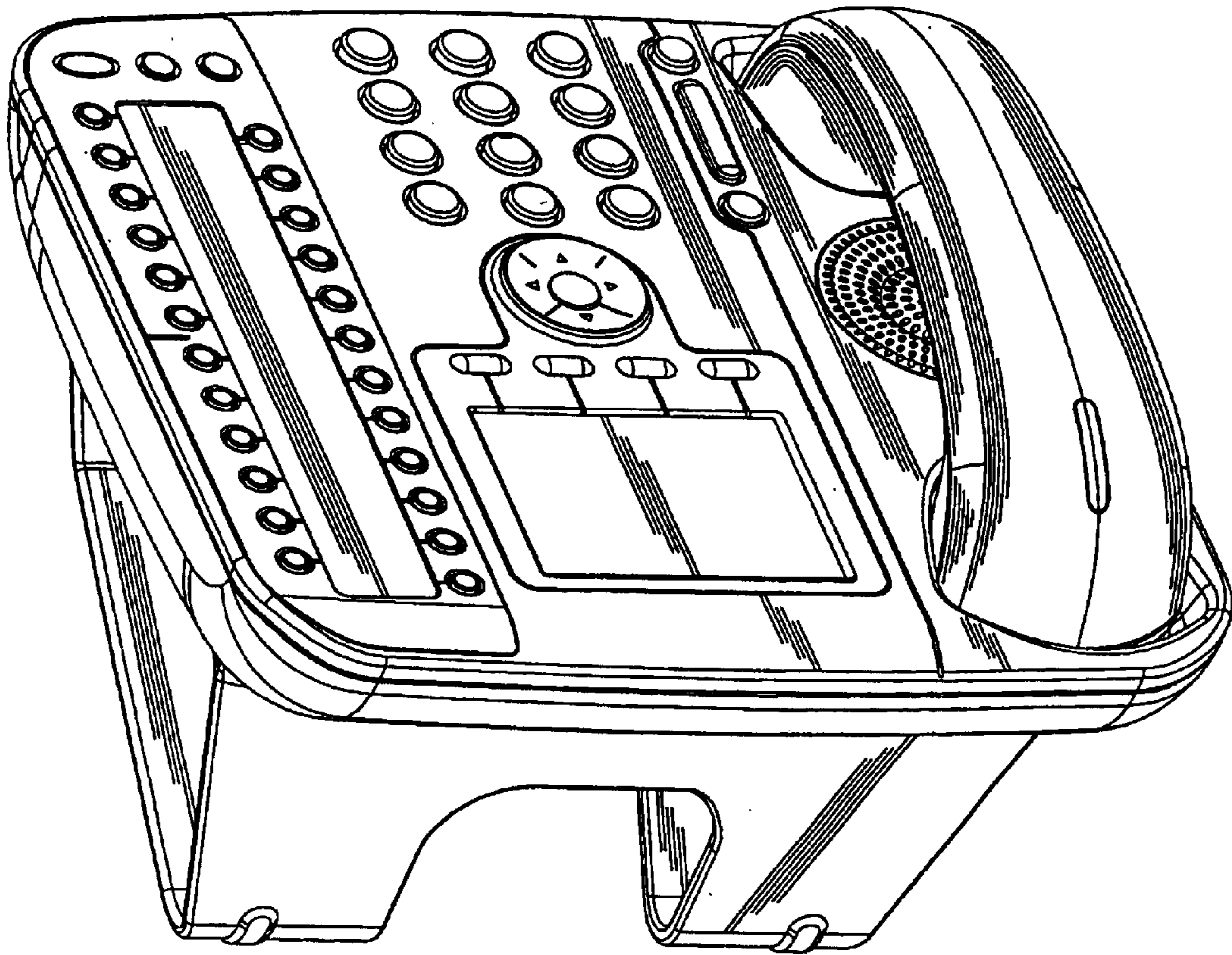


FIG. 1

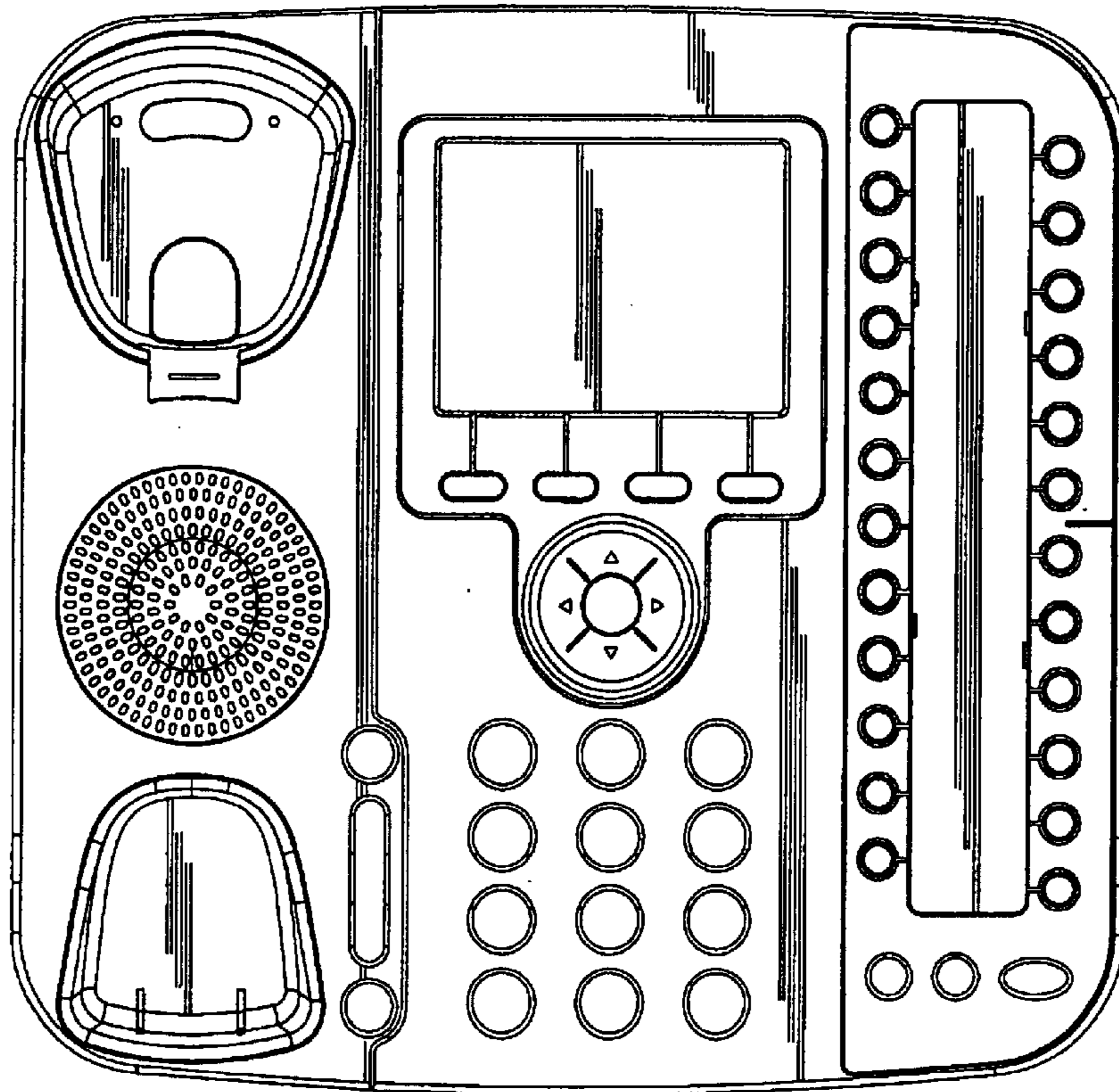


FIG. 2

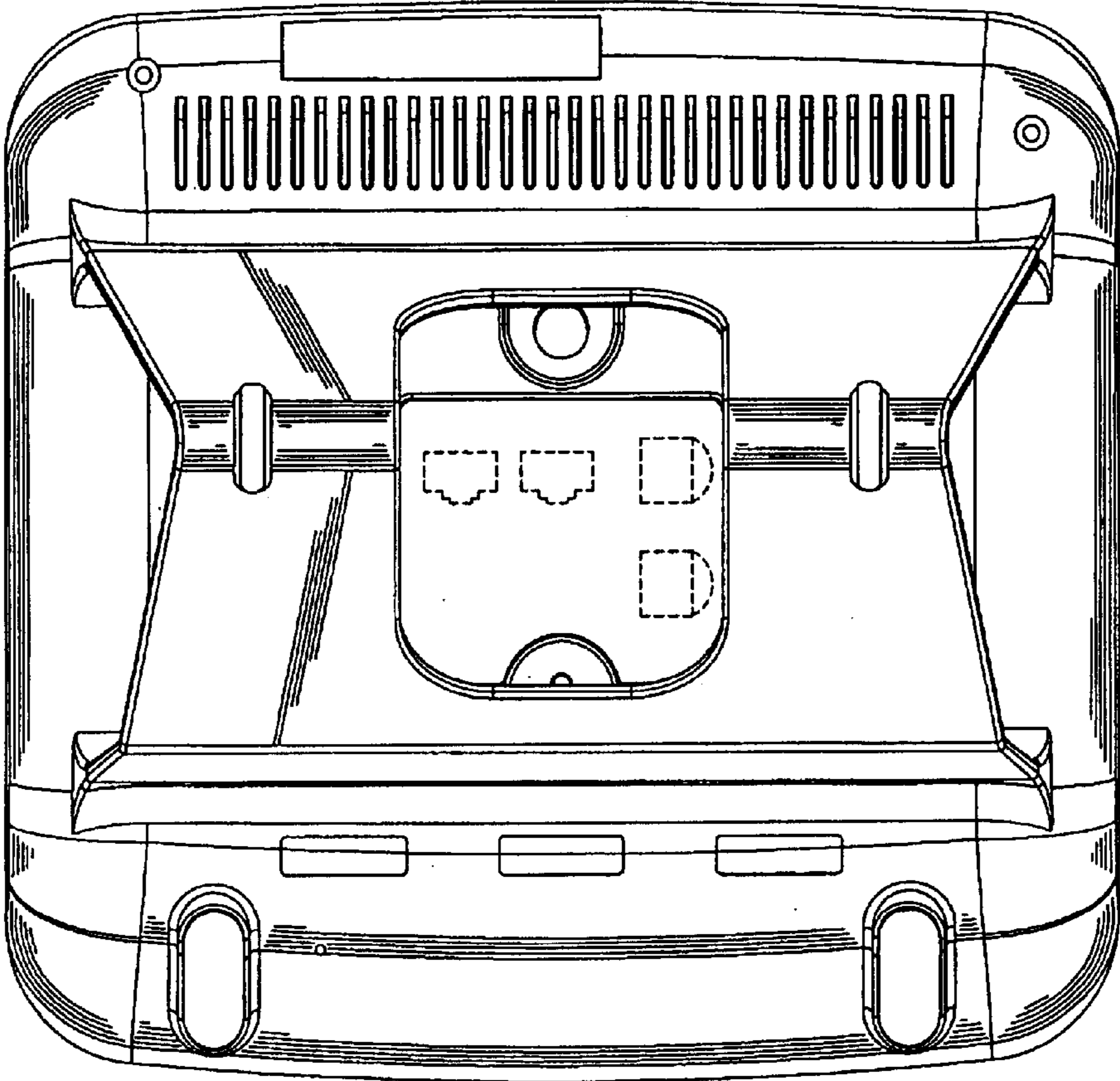


FIG. 3

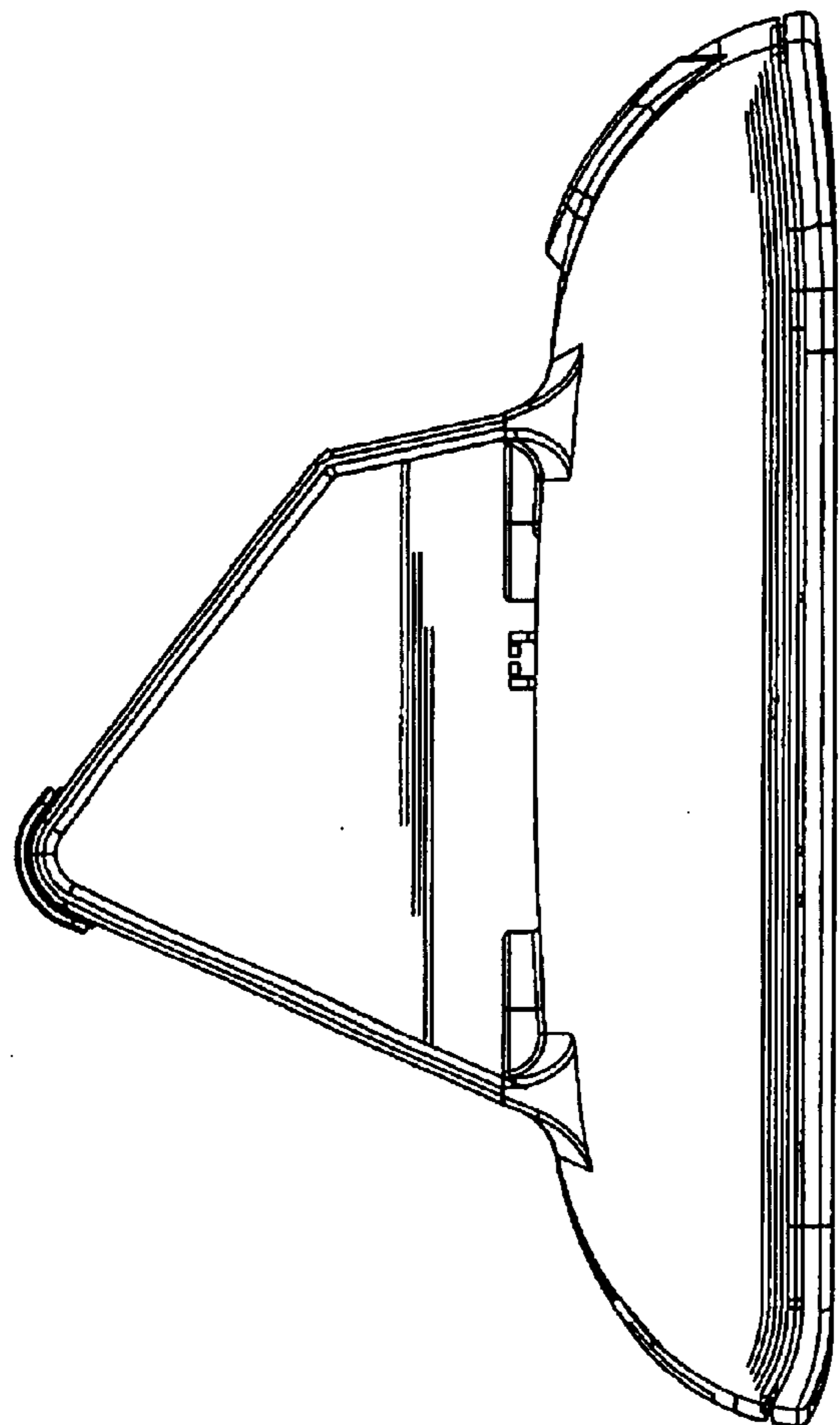


FIG. 4

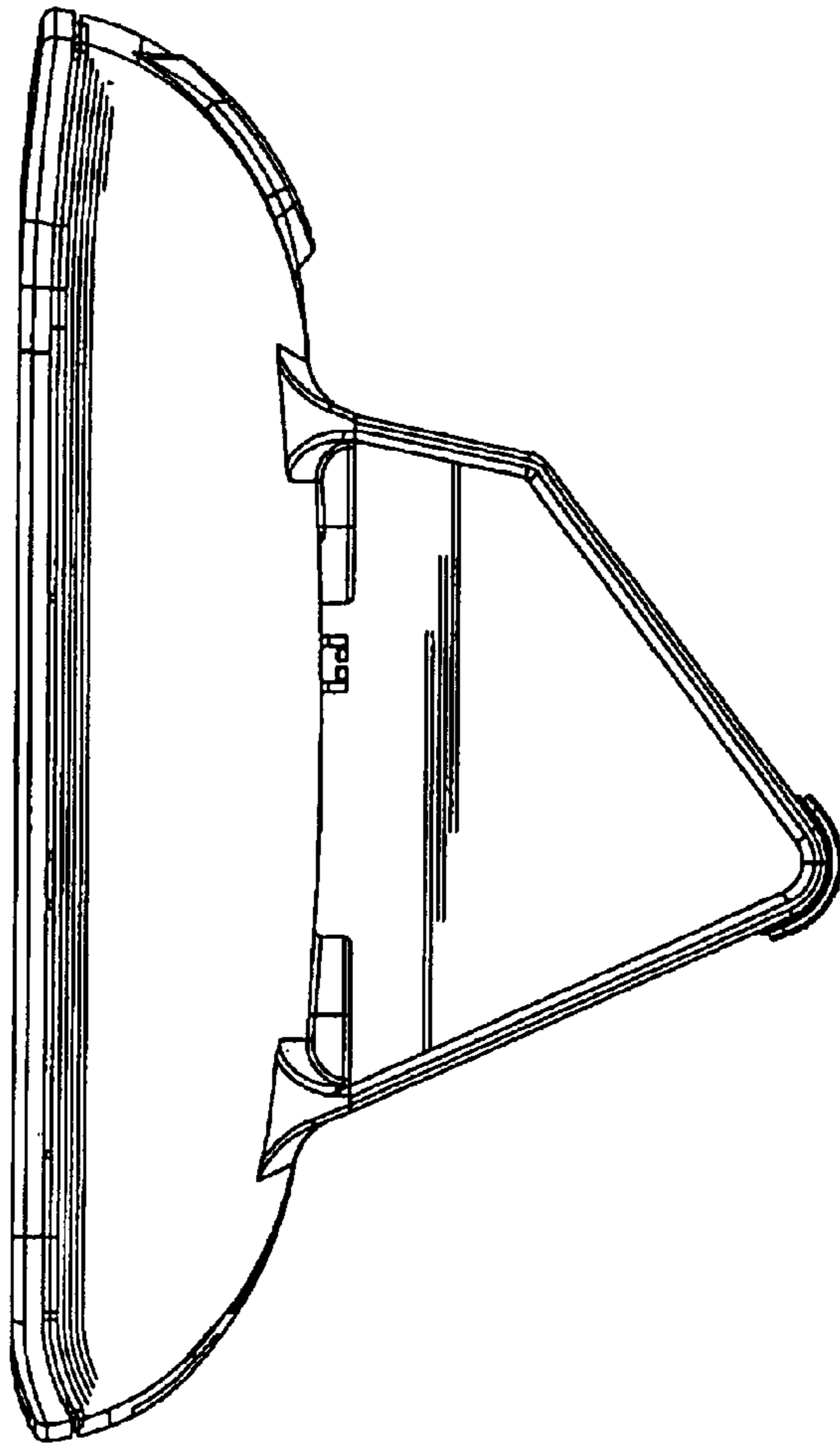


FIG. 5

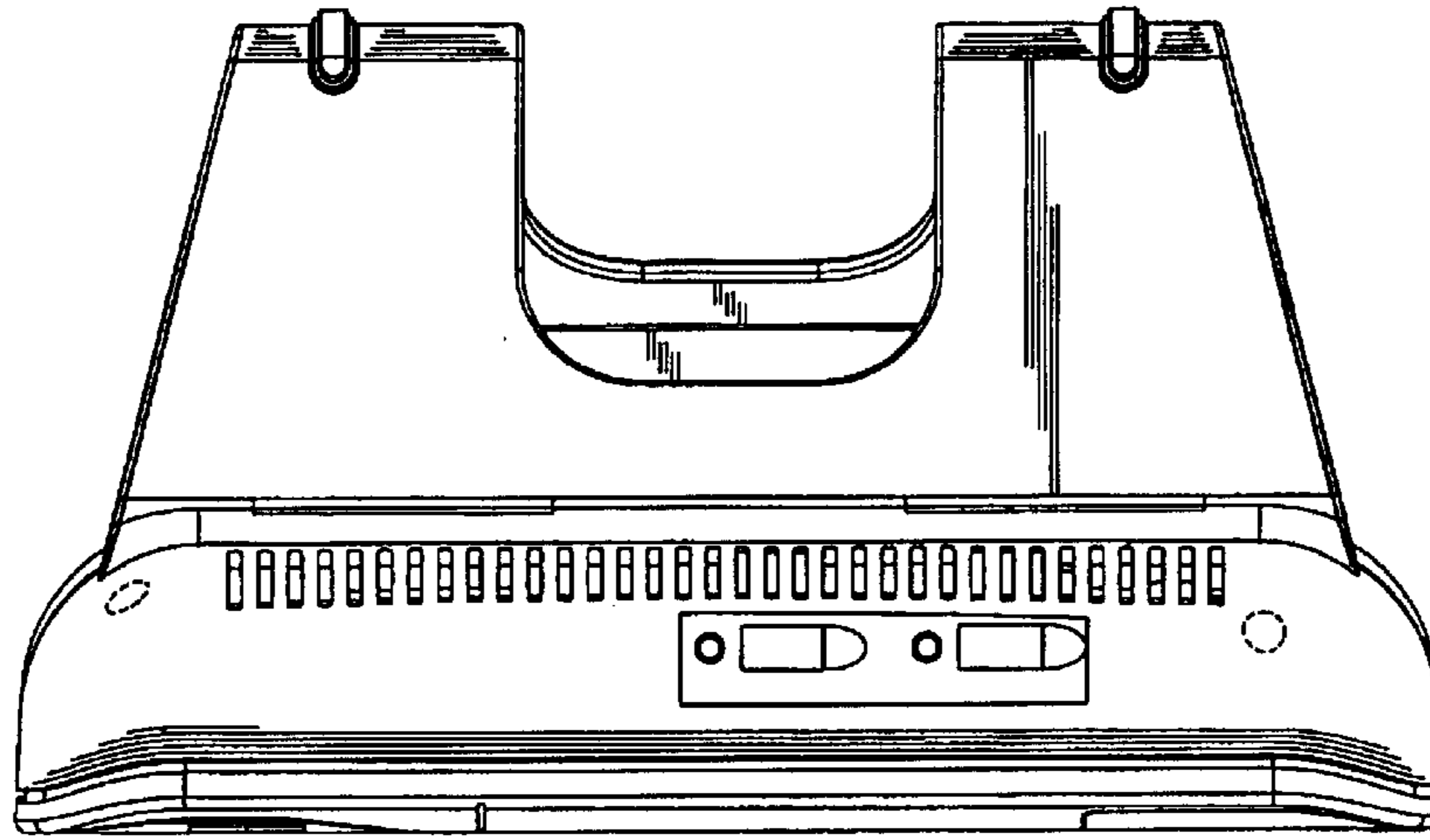


FIG.6

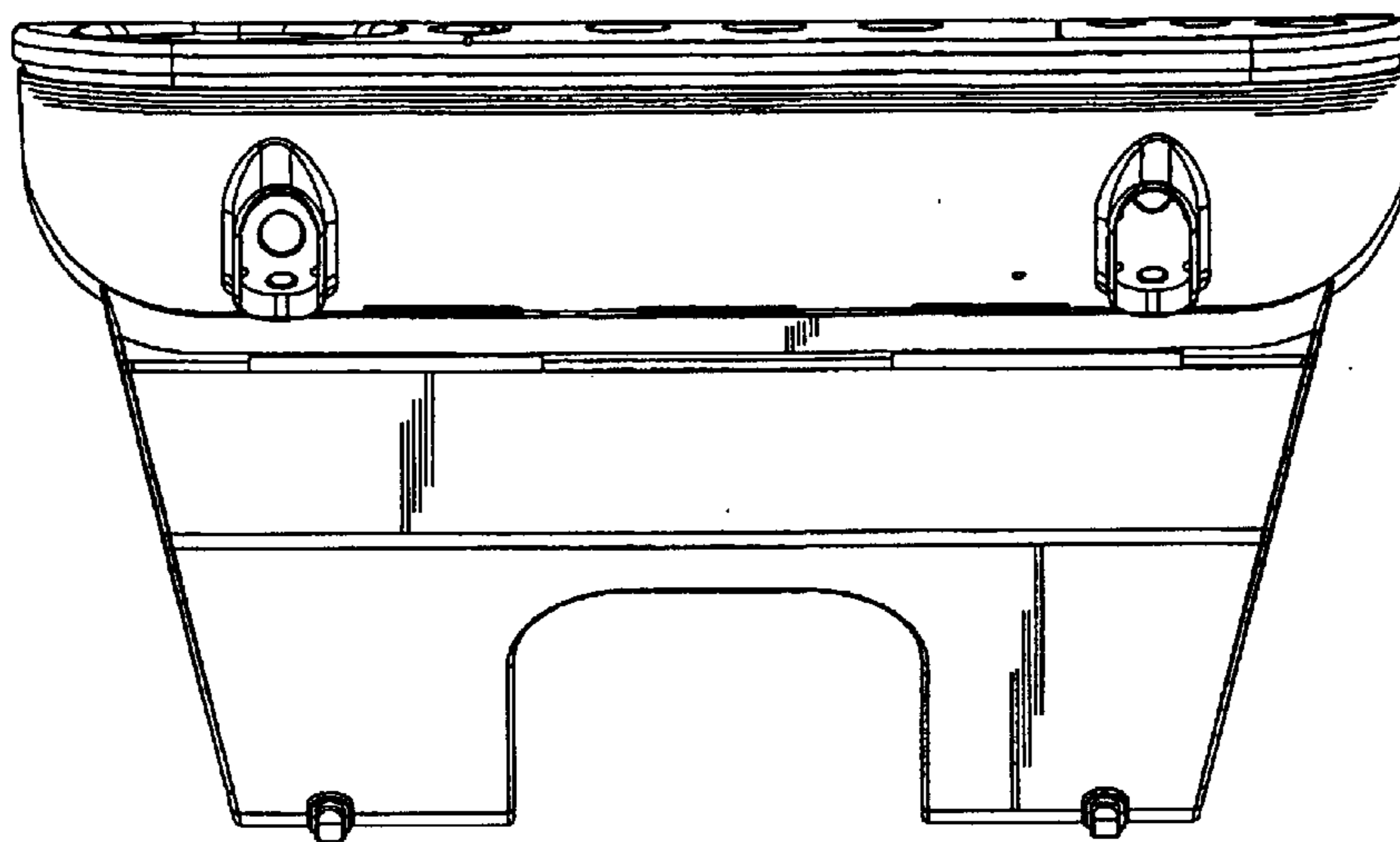


FIG. 7

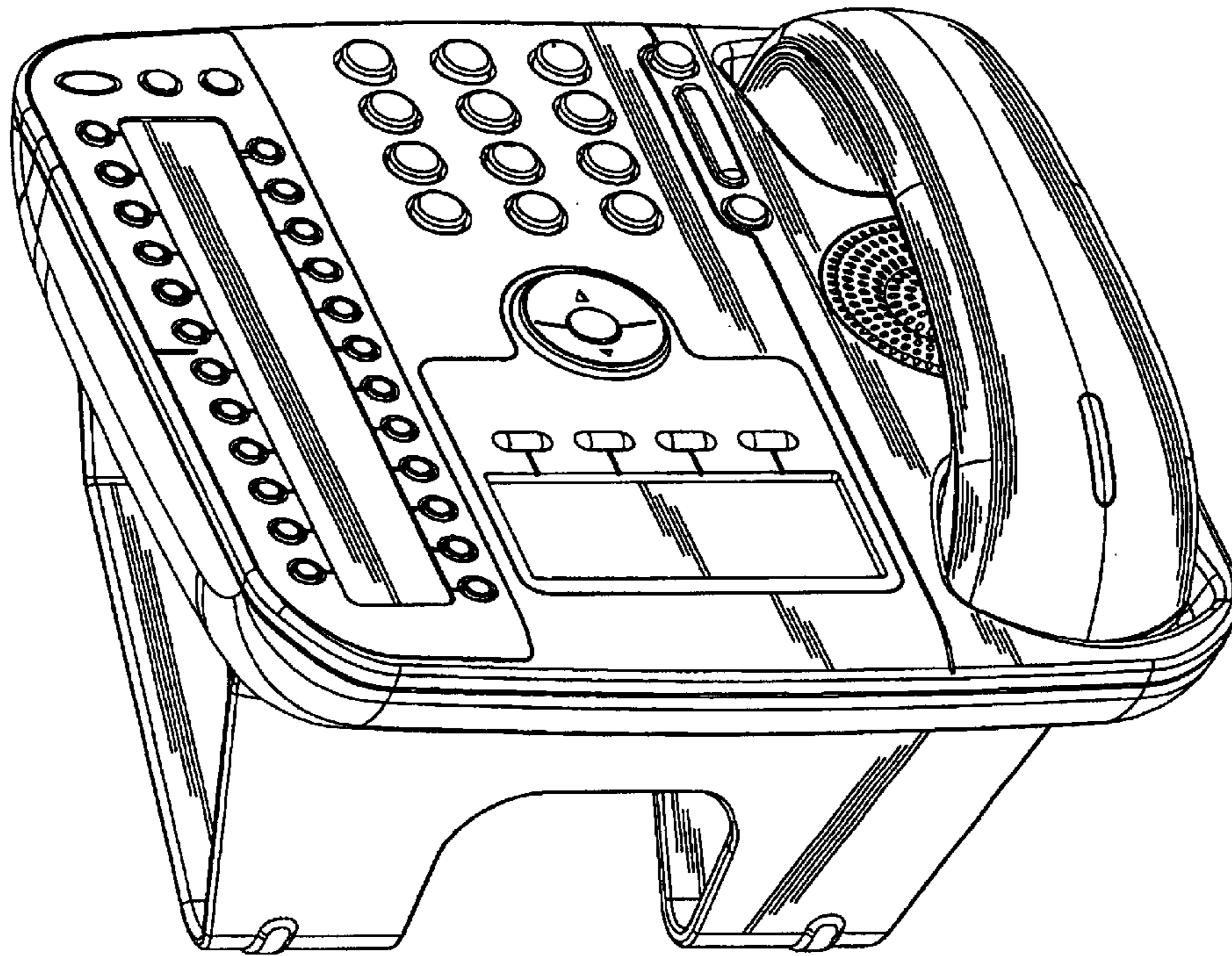


FIG. 8

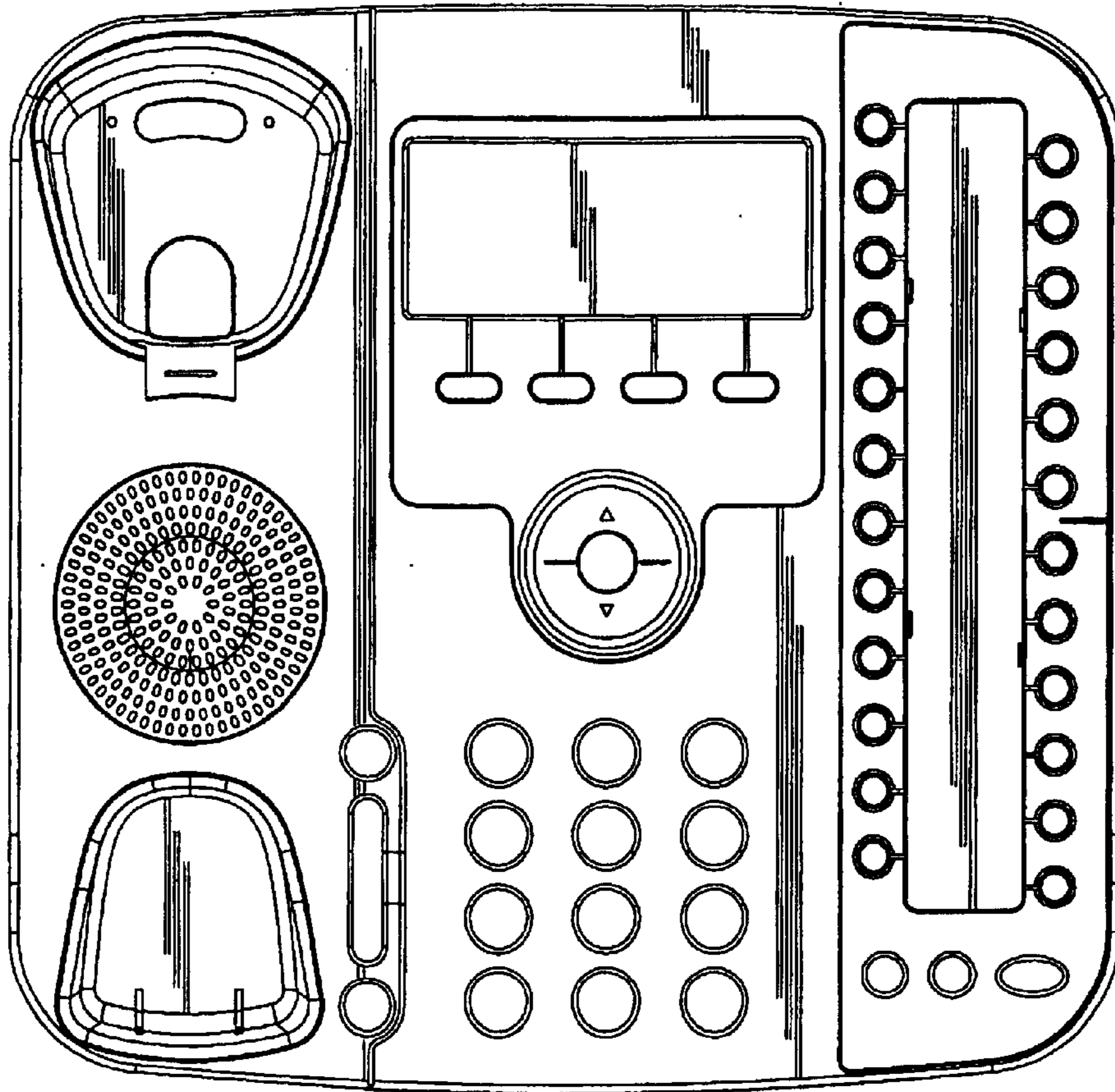


FIG. 9

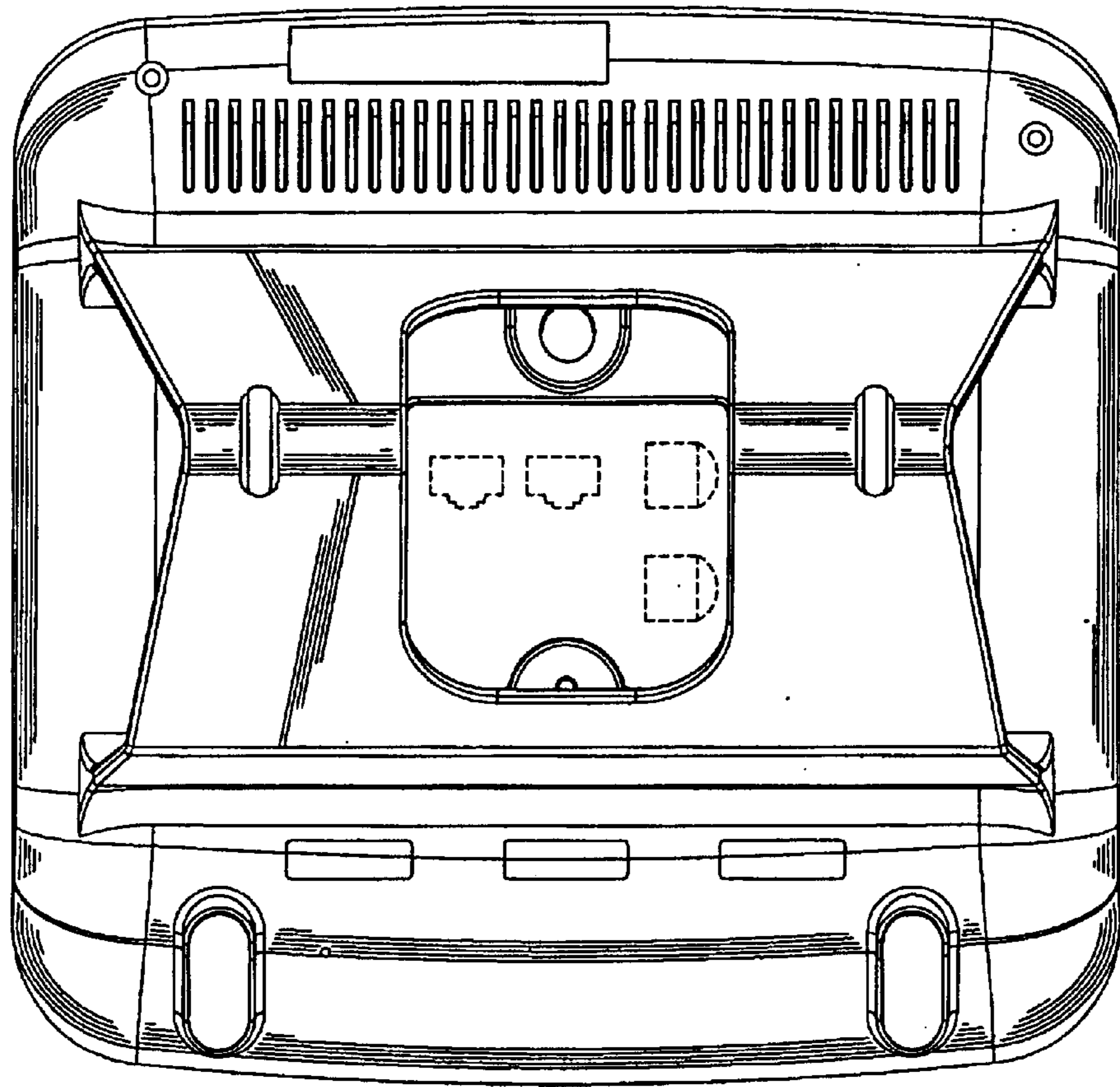


FIG.10

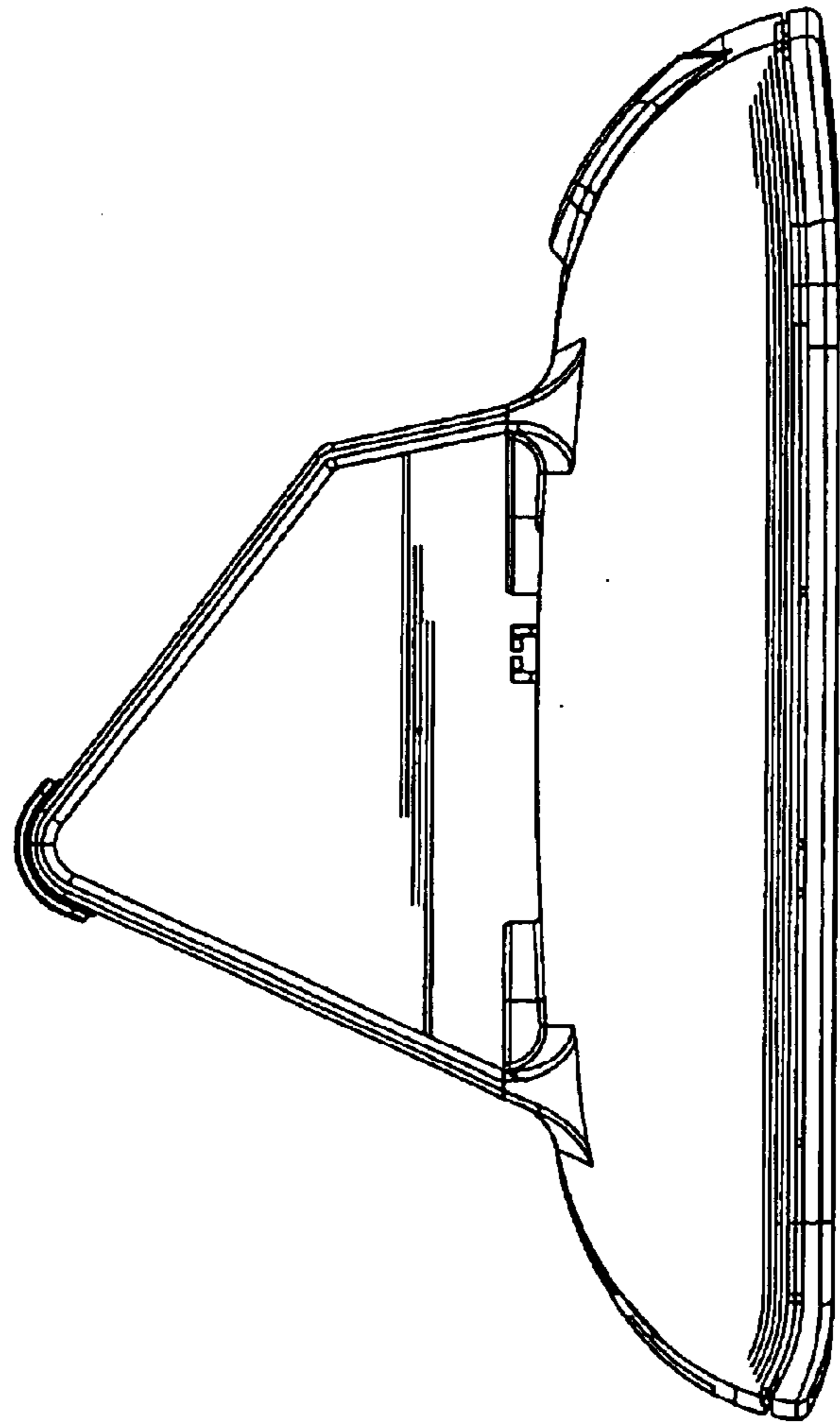


FIG.11

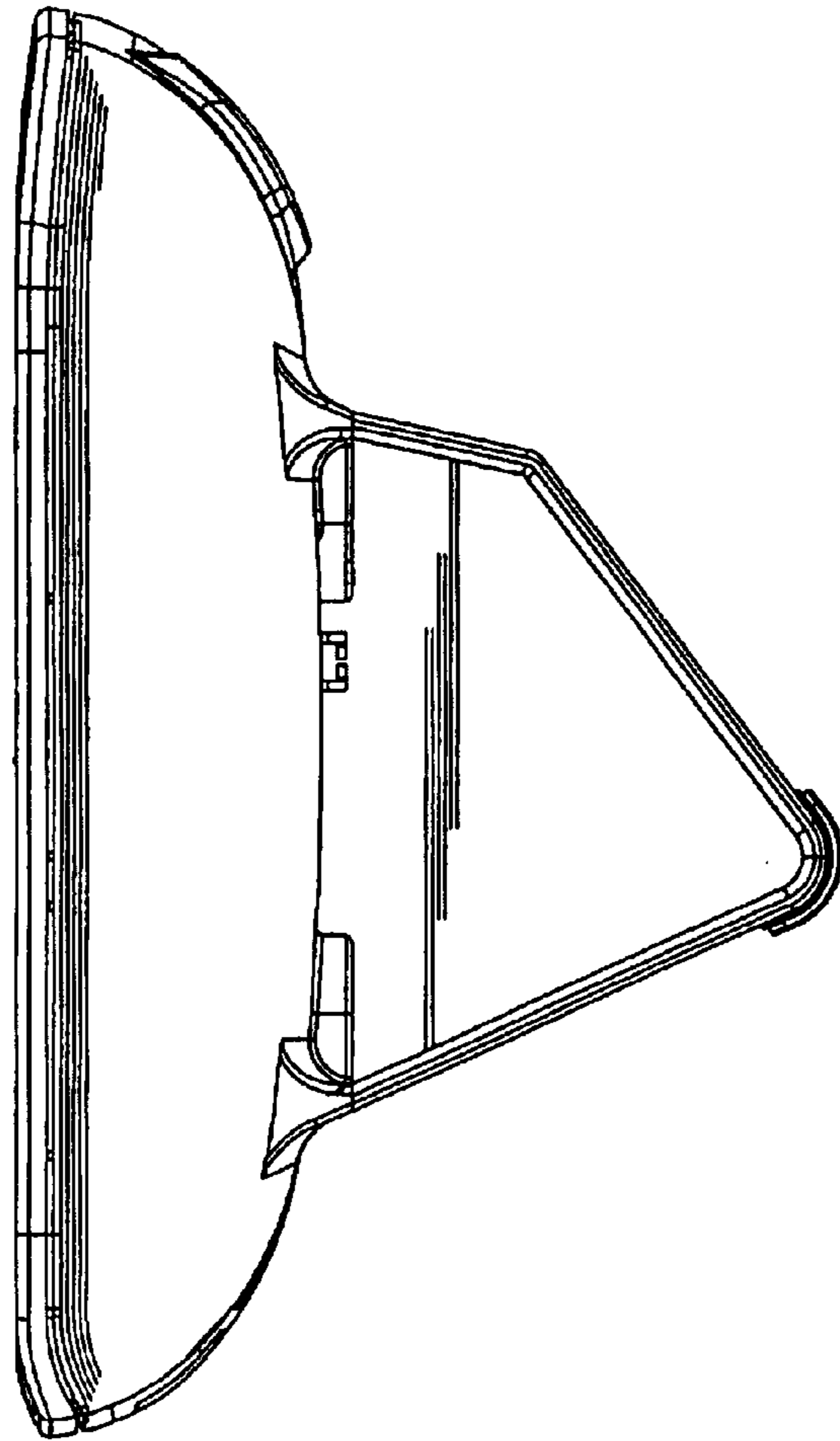


FIG.12

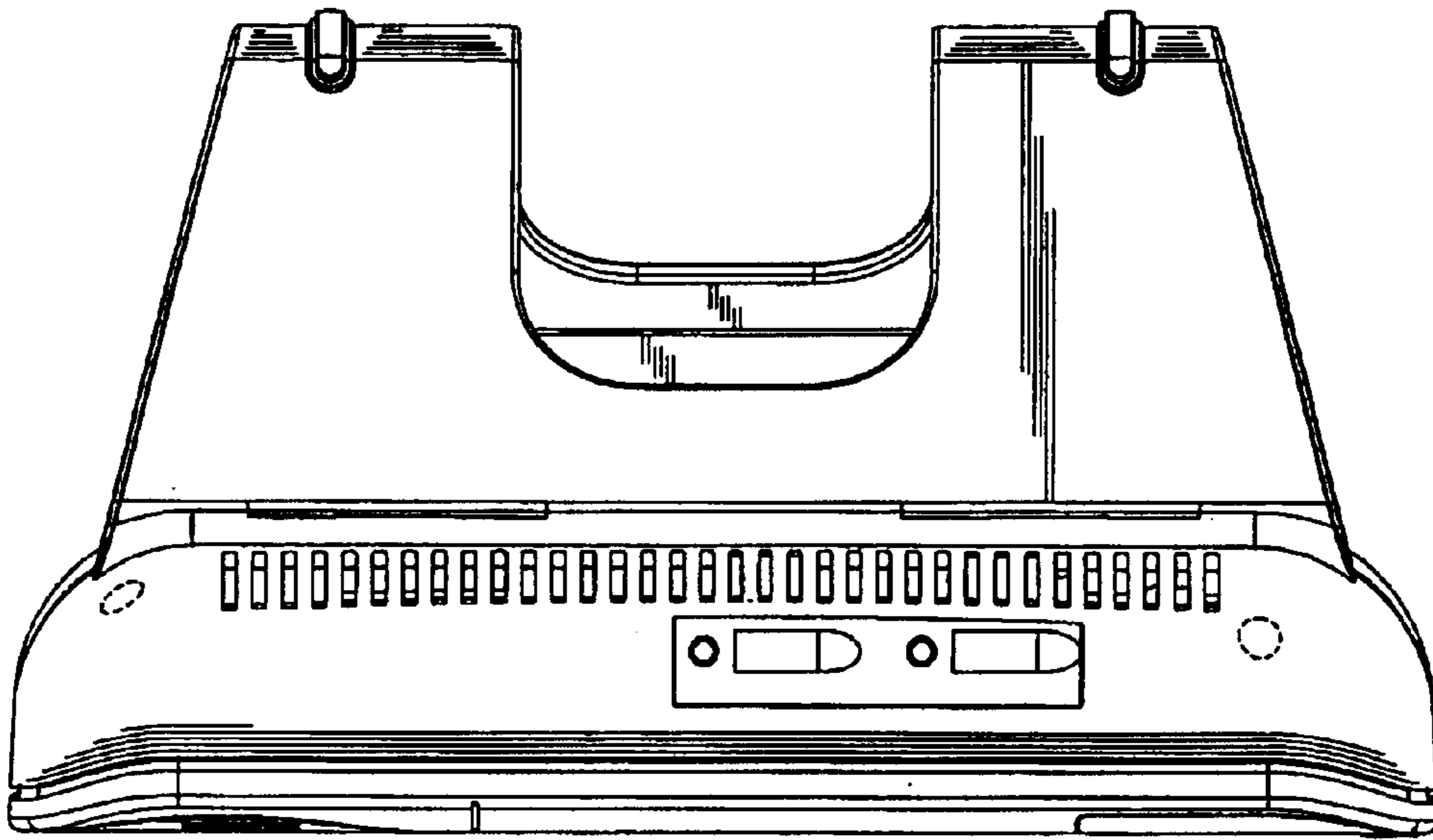


FIG.13

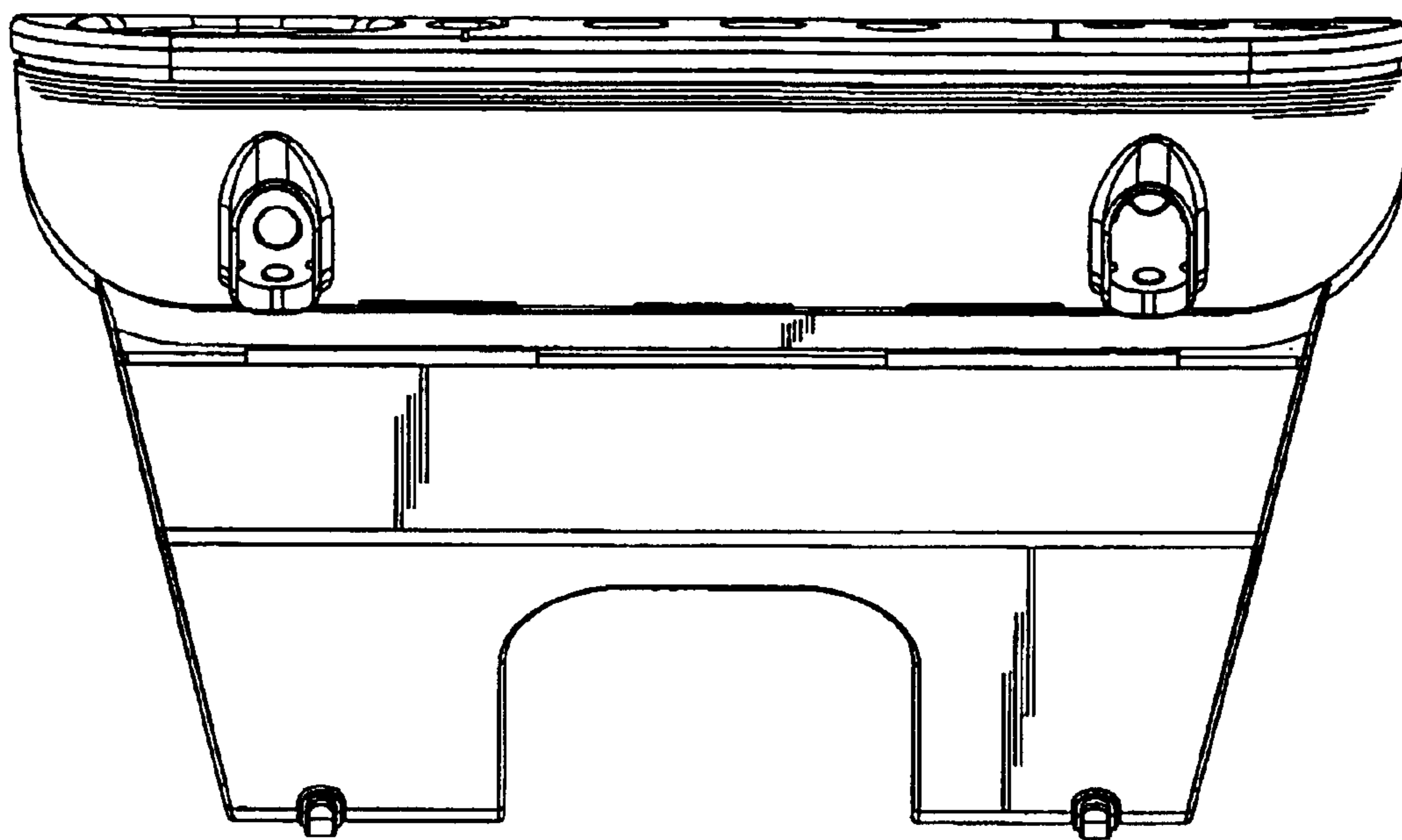


FIG.14

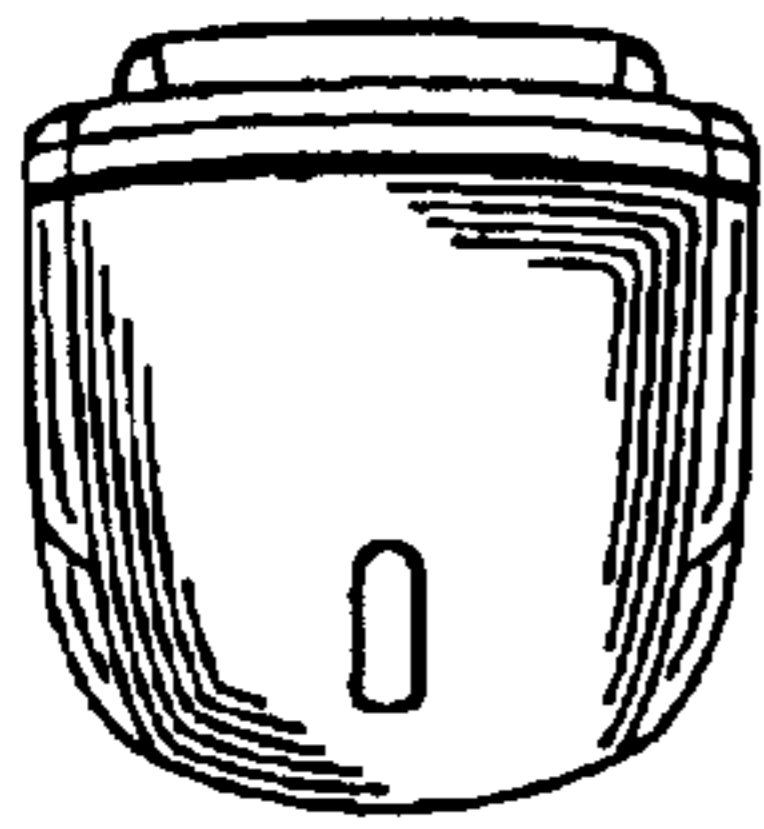


FIG. 15

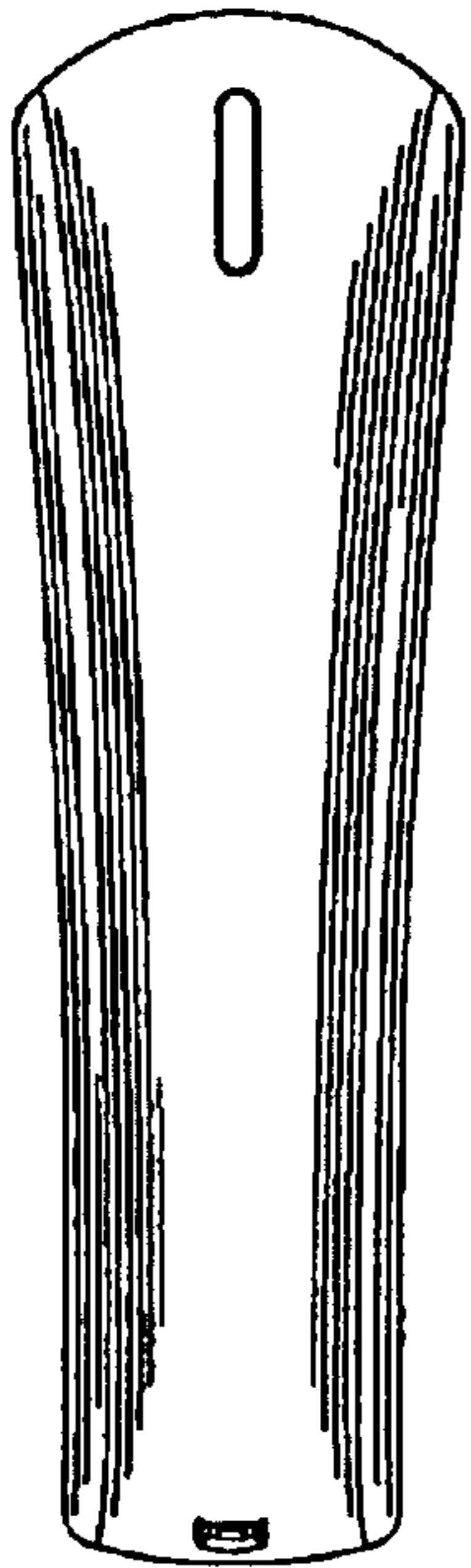


FIG. 16

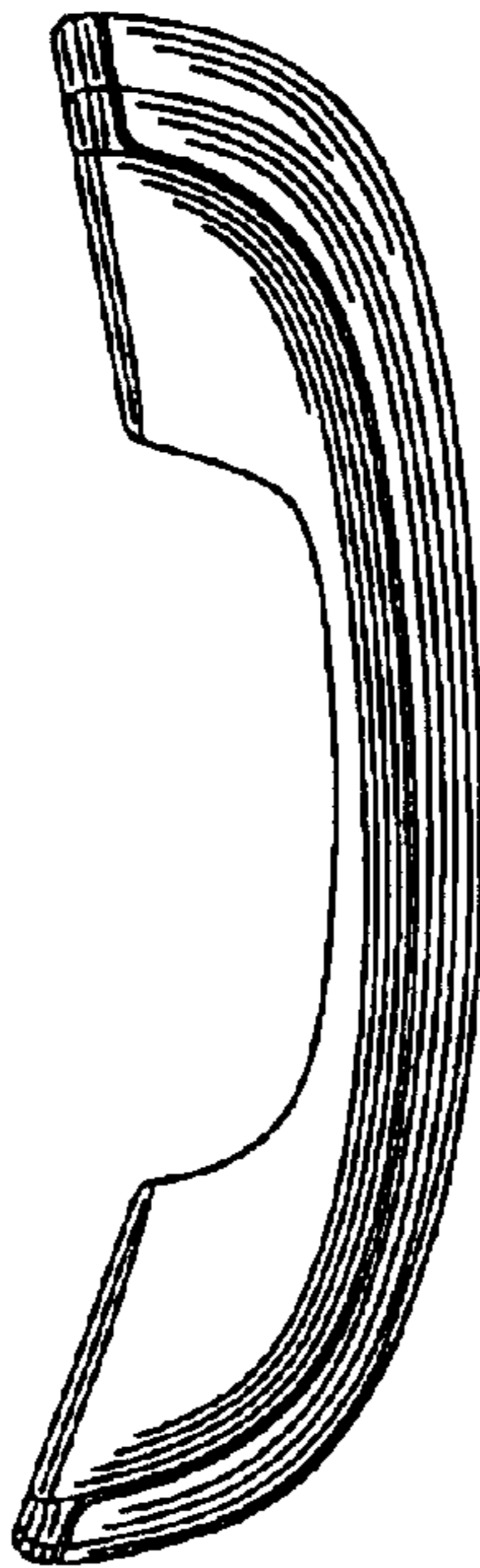


FIG. 17

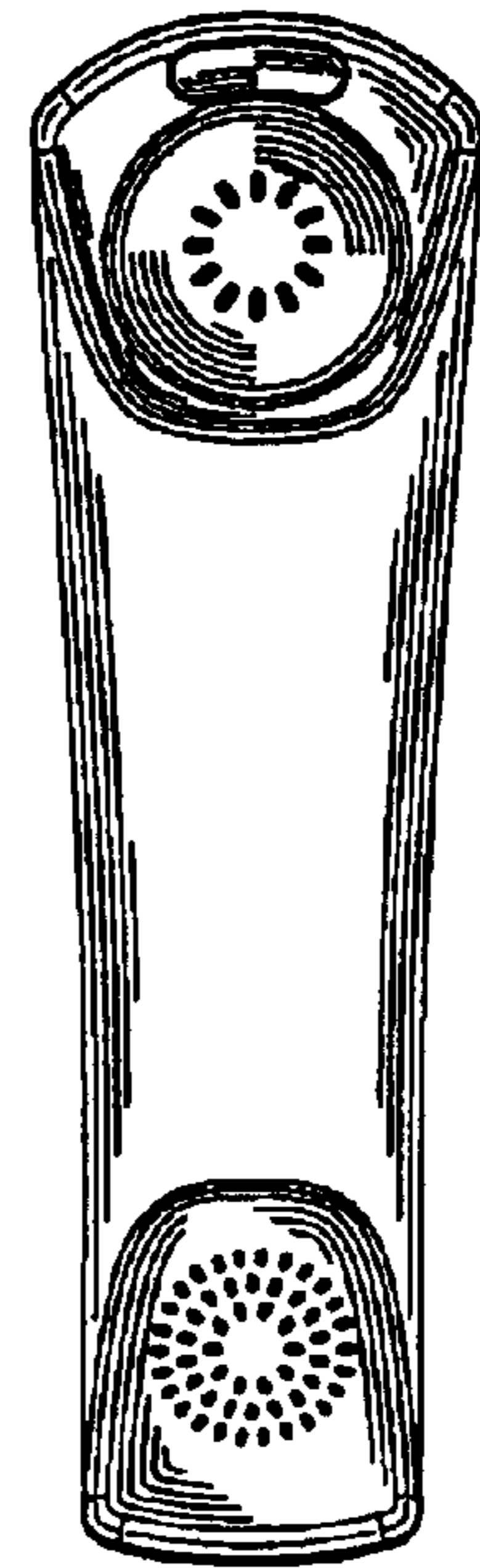


FIG. 18

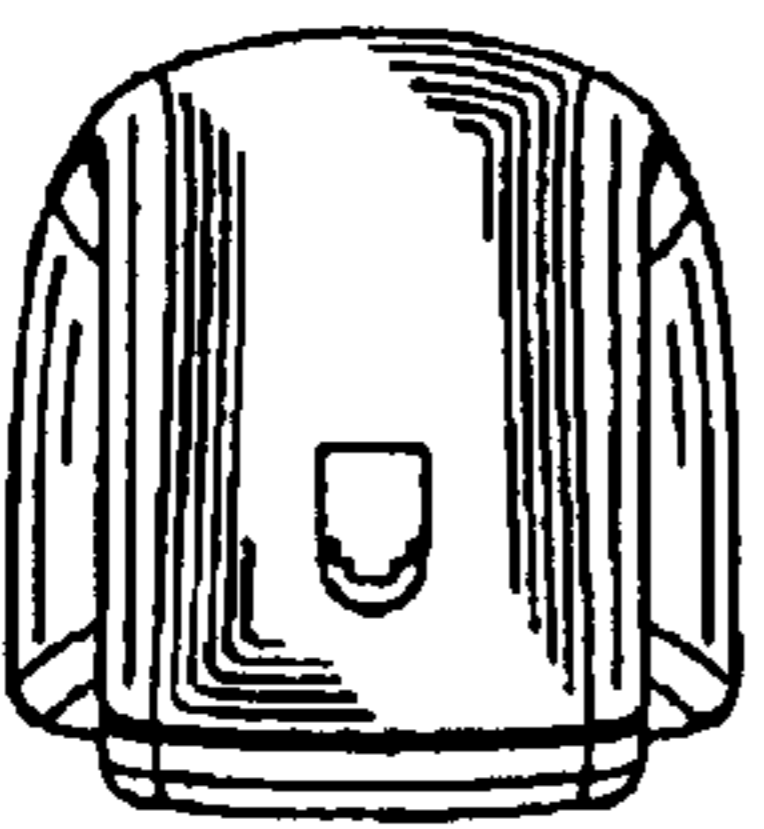


FIG. 19