

US00D536325S

(12) **United States Design Patent**
Kim et al.

(10) **Patent No.:** **US D536,325 S**

(45) **Date of Patent:** **** Feb. 6, 2007**

(54) **PORTABLE PHONE**

(75) Inventors: **Young-Sae Kim**, Palo Alto, CA (US);
Chi-Young Ahn, Seodaemun-Gu (KR);
Beom-Ku Han, Seoul (KR);
Chang-Hwan Hwang, Goyang-Si (KR)

(73) Assignee: **Samsung Electronics Co., Ltd.**,
Suwon-si (KR)

(**) Term: **14 Years**

(21) Appl. No.: **29/234,759**

(22) Filed: **Jul. 22, 2005**

(30) **Foreign Application Priority Data**

Jan. 26, 2005 (KR) 30-2005-0002602

(51) **LOC (8) Cl.** **14-03**

(52) **U.S. Cl.** **D14/138**

(58) **Field of Classification Search** D14/137,
D14/138, 147-148, 247-248, 144, 218, 341-347,
D14/455, 456; 379/433.01-433.13, 434;
455/575.1, 566, 556.1, 556.2, 90.3; D21/517,
D21/329, 331, 333; 345/169; 348/14.01,
348/14.02, 376

See application file for complete search history.

(56) **References Cited**

U.S. PATENT DOCUMENTS

4,237,540	A	*	12/1980	Sato	708/108
D456,794	S	*	5/2002	Laverick et al.	D14/138
D479,216	S	*	9/2003	Ho-Cheun et al.	D14/138
6,628,508	B2	*	9/2003	Lieu et al.	361/680
D481,368	S	*	10/2003	Helin	D14/138
D487,066	S	*	2/2004	Gartrell et al.	D14/138
D494,151	S	*	8/2004	Walliser et al.	D14/138
6,795,304	B1	*	9/2004	Lam	361/683
6,795,715	B1	*	9/2004	Kubo et al.	455/556.1
D496,921	S	*	10/2004	Hwang	D14/138
D504,119	S	*	4/2005	Pottie et al.	D14/138
D504,888	S	*	5/2005	Majanen	D14/247
D506,191	S	*	6/2005	Majanen	D14/138

D508,902	S	*	8/2005	Lee et al.	D14/138
D509,814	S	*	9/2005	Shin et al.	D14/138
6,989,984	B2	*	1/2006	Sutton et al.	361/680
D515,541	S	*	2/2006	Jensfelt	D14/138
D523,836	S	*	6/2006	Park	D14/138
D523,837	S	*	6/2006	Lee	D14/138
2001/0012051	A1	*	8/2001	Hara et al.	348/14.01
2002/0006815	A1	*	1/2002	Finke-Anlauff	455/575
2002/0160724	A1	*	10/2002	Arai et al.	455/90
2003/0073414	A1	*	4/2003	Capps	455/90
2003/0078069	A1	*	4/2003	Lindeman	455/550.1
2004/0106429	A1	*	6/2004	Park et al.	455/550.1
2004/0180703	A1	*	9/2004	Kim et al.	455/575.1
2005/0277388	A1	*	12/2005	Kim et al.	455/90.3
2005/0277439	A1	*	12/2005	Brelo et al.	455/556.2
2006/0030380	A1	*	2/2006	Pentinpuro	455/575.3
2006/0084482	A1	*	4/2006	Saila	455/575.1
2006/0105806	A1	*	5/2006	Vance et al.	455/556.1

FOREIGN PATENT DOCUMENTS

WO DM/067687 * 3/2006

* cited by examiner

Primary Examiner—Jeffrey Asch

(74) *Attorney, Agent, or Firm*—Staas & Halsey LLP

(57) **CLAIM**

The ornamental design for the portable phone, as shown and described.

DESCRIPTION

FIG. 1 is a perspective view of the portable phone showing our design;
FIG. 2 is a front view thereof;
FIG. 3 is a rear view thereof;
FIG. 4 is a left side view thereof;
FIG. 5 is a right side view thereof;
FIG. 6 is a top plan view thereof;
FIG. 7 is a bottom plan view thereof; and,
FIG. 8 is a perspective view thereof with the top portion in a rotated position.

1 Claim, 5 Drawing Sheets

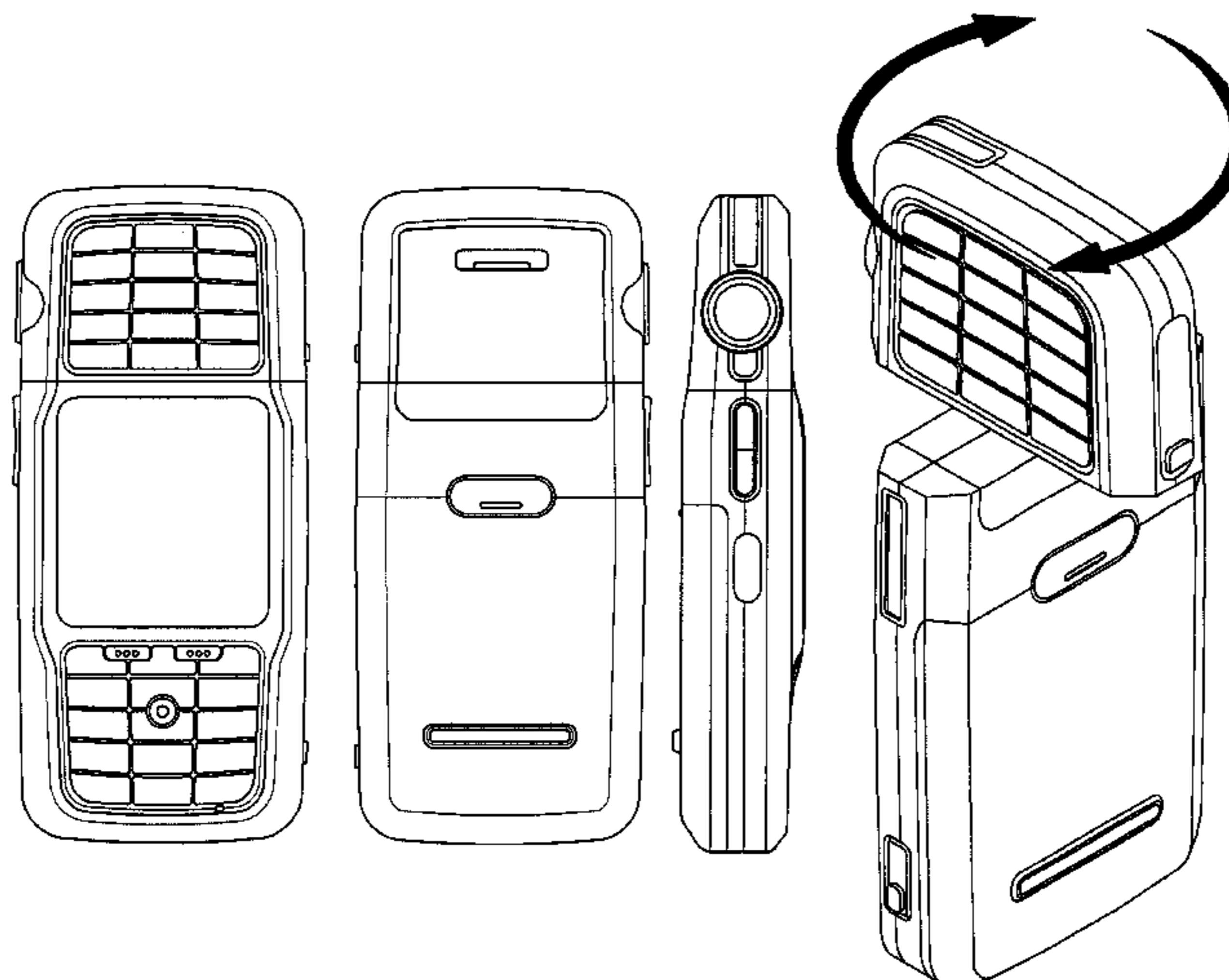


FIG. 1

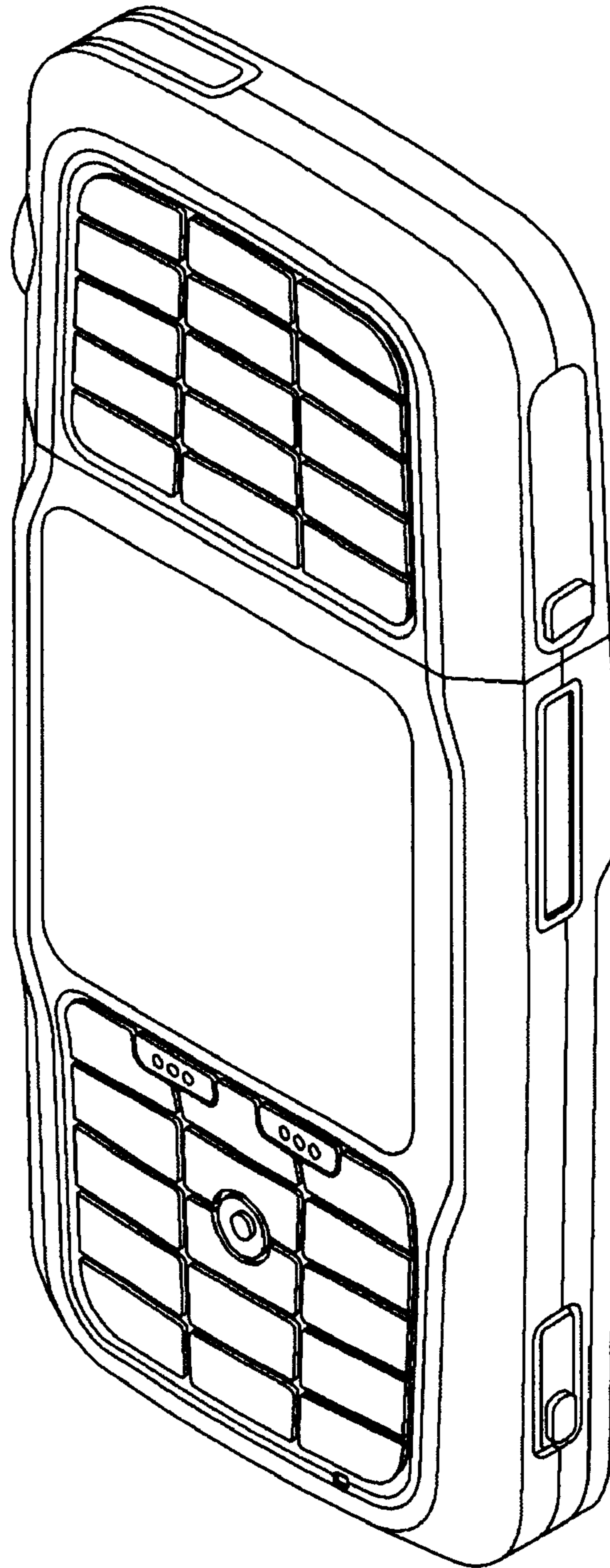


FIG. 2

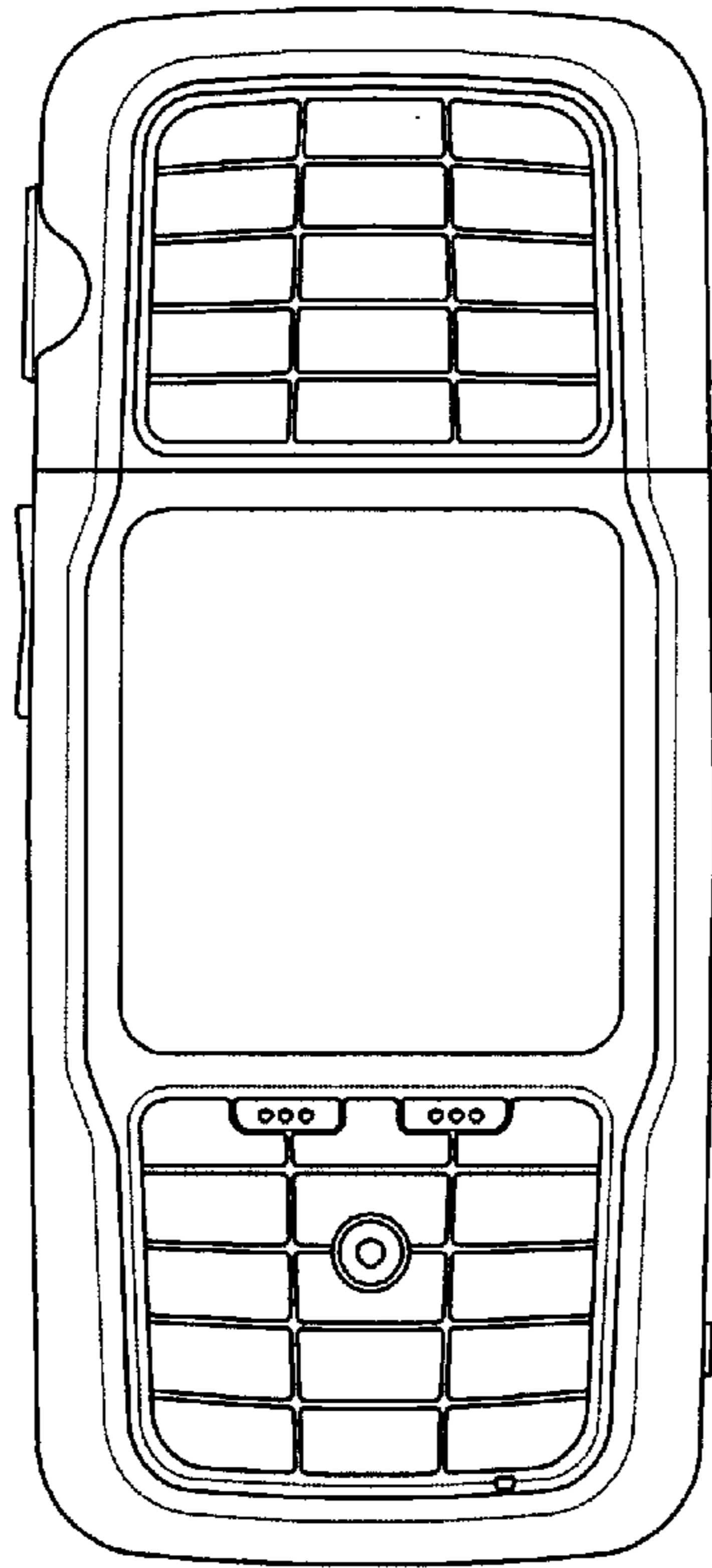


FIG. 3

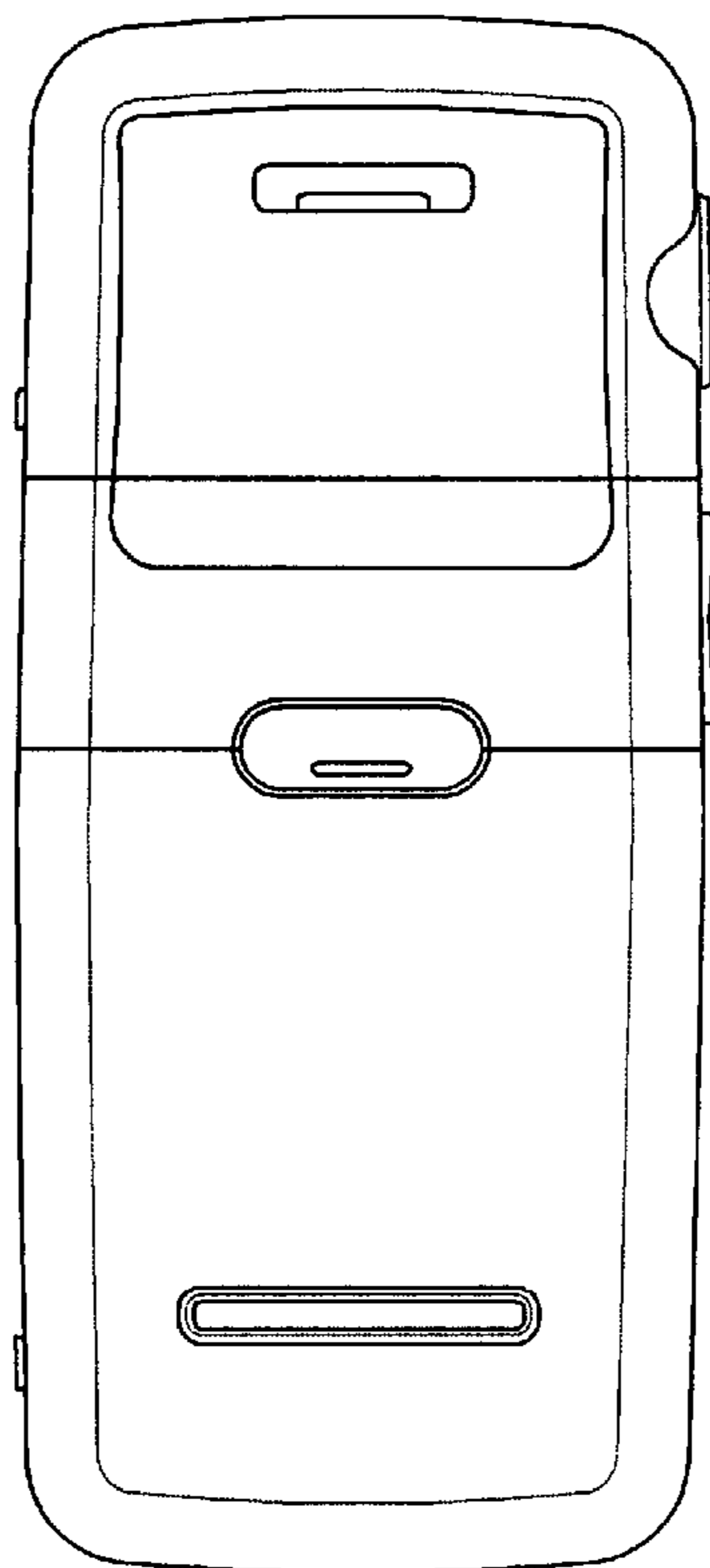


FIG. 4

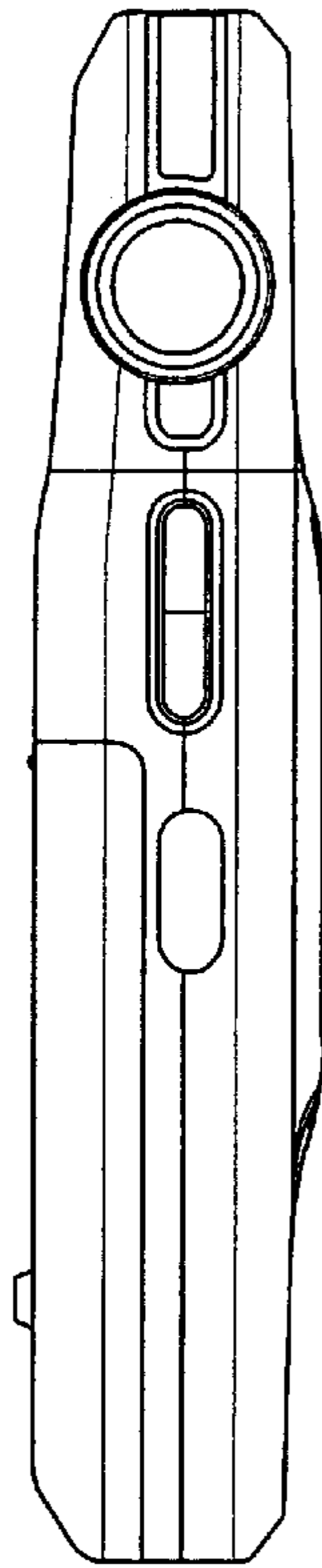


FIG. 5

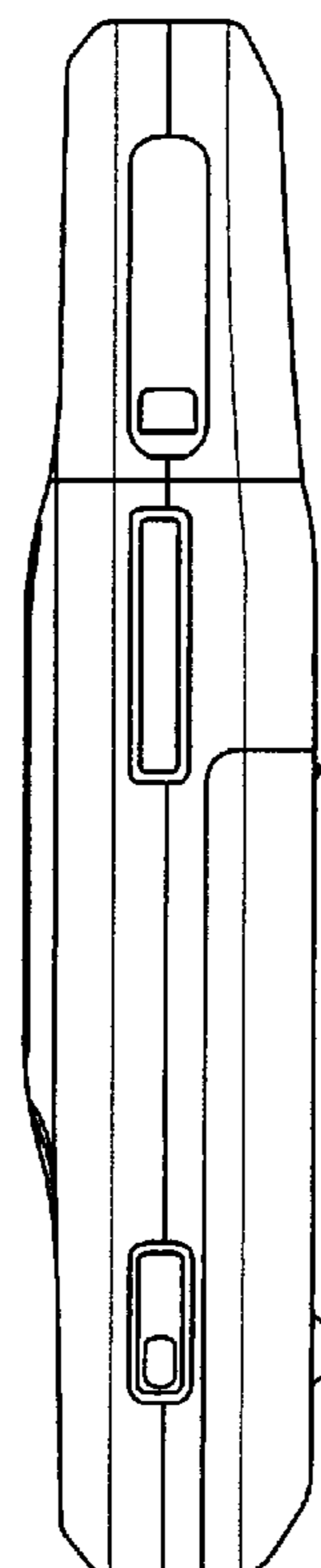


FIG. 6

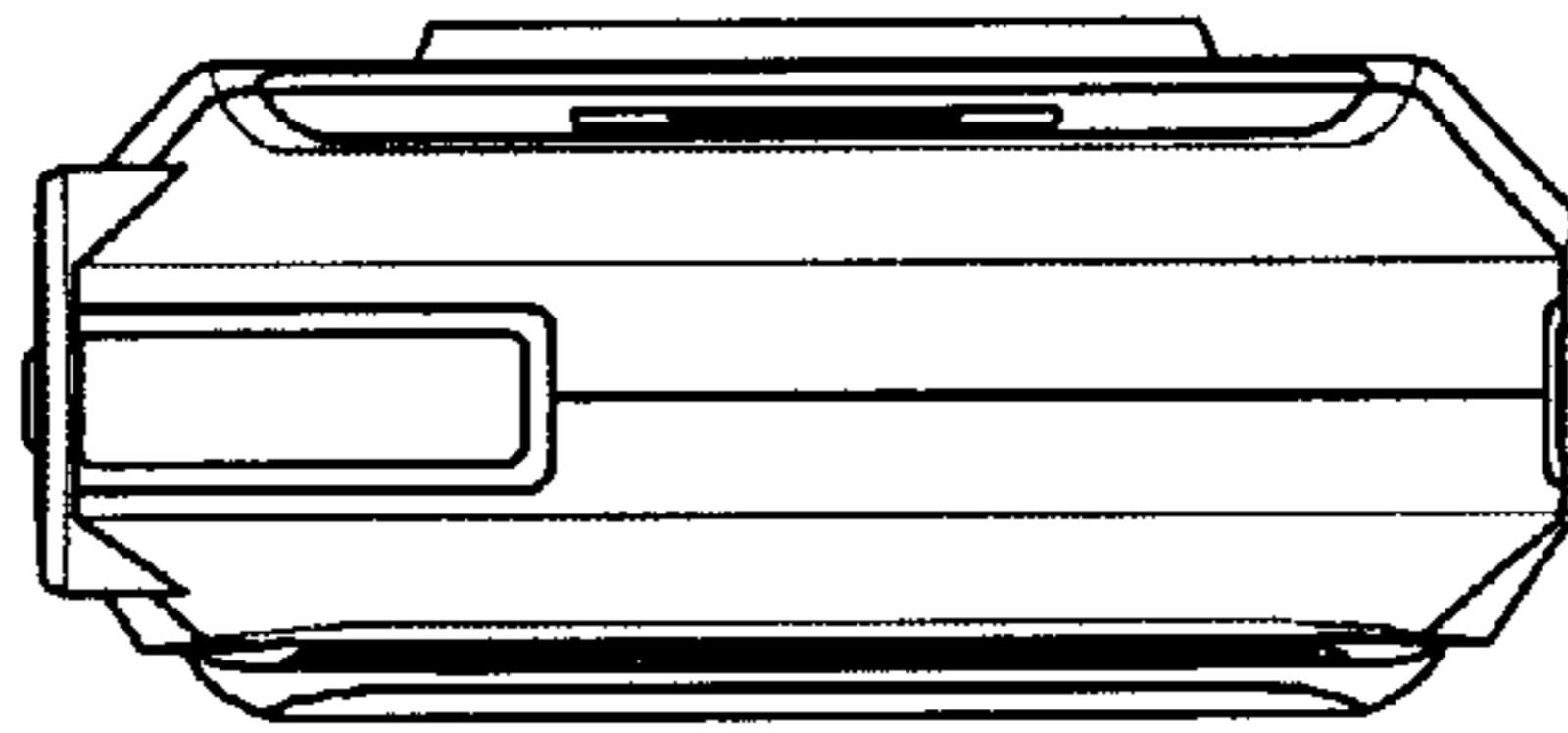


FIG. 7

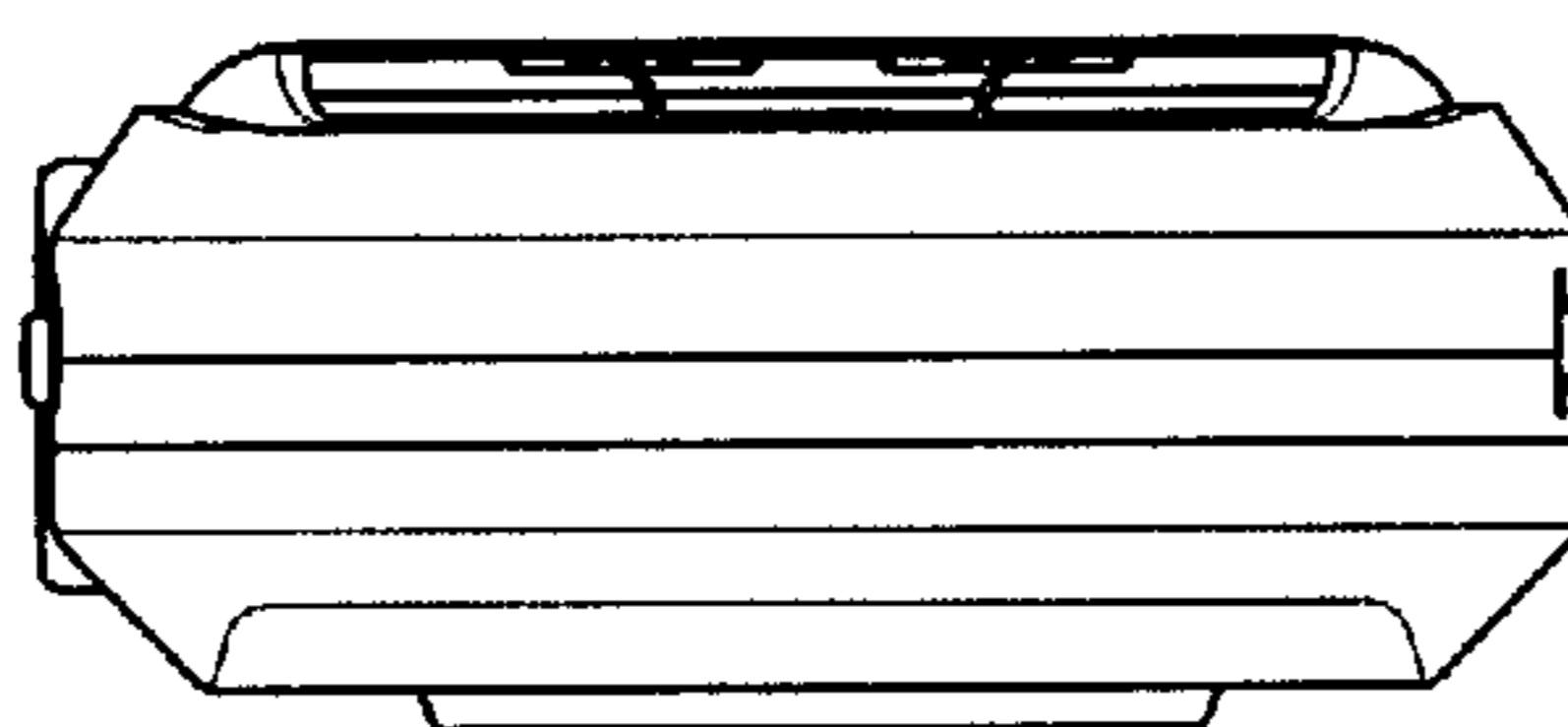


FIG. 8

