



US00D536320S

(12) **United States Design Patent**
Michaels

(10) **Patent No.:** **US D536,320 S**

(45) **Date of Patent:** **** Feb. 6, 2007**

(54) **THIN MOBILE TELEPHONE**

(76) Inventor: **Peter Michaels**, 35 Hammond, Irvine,
CA (US) 92618

(**) Term: **14 Years**

(21) Appl. No.: **29/229,220**

(22) Filed: **May 4, 2005**

(51) **LOC (8) Cl.** **14-03**

(52) **U.S. Cl.** **D14/138**

(58) **Field of Classification Search** D14/191,
D14/138, 147-148, 247-248, 144, 496, 156,
D14/341-347; 379/433.01-433.13; 455/575.3,
455/566, 575.1, 556.1, 556.2, 90.3; D21/517;
D16/208

See application file for complete search history.

(56) **References Cited**

U.S. PATENT DOCUMENTS

D321,865 S	*	11/1991	Derocher	D14/345
D352,503 S	*	11/1994	Nagele	D14/138
5,493,690 A	*	2/1996	Shimazaki	455/575.3
D383,731 S	*	9/1997	Mieki et al.	D14/345
5,937,360 A	*	8/1999	Nishiyama et al.	455/566
D430,566 S	*	9/2000	Chu et al.	D14/345
D459,326 S	*	6/2002	Nagai et al.	D14/138
D486,132 S	*	2/2004	Jang	D14/138
D486,464 S	*	2/2004	Lee	D14/138
D488,154 S	*	4/2004	Lovelady et al.	D14/345
D488,452 S	*	4/2004	Chung	D14/138
D498,468 S	*	11/2004	Seo	D14/138
D500,750 S	*	1/2005	Arnholt et al.	D14/138
D507,551 S	*	7/2005	Kim et al.	D14/138
D508,036 S	*	8/2005	Wada	D14/138

(Continued)

FOREIGN PATENT DOCUMENTS

WO DM/058624 * 12/2001

OTHER PUBLICATIONS

Nokia 6170 telephone, announced 3rd quarter 2004,
[online], [retrieved on Sep. 15, 2006]. Retrieved from Inter-
net ,<URL: http://gsmarena.com>.*

(Continued)

Primary Examiner—Jeffrey Asch

(74) *Attorney, Agent, or Firm*—The Law Office of Robert T.
Braun; Robert T. Braun; Clay E. Gaetje

(57) **CLAIM**

I claim the ornamental design for the thin mobile telephone,
as shown and described.

DESCRIPTION

FIG. 1 is a front perspective view of the thin mobile
telephone according to the present invention.

FIG. 2 is a front view of the thin mobile telephone in a
closed state according to the present invention.

FIG. 3 is a side view of the thin mobile telephone in a closed
state according to the present invention.

FIG. 4 is a back view of the thin mobile telephone in a closed
state according to the present invention.

FIG. 5 is a side view of the thin mobile telephone in a closed
state according to the present invention.

FIG. 6 is a top view of the thin mobile telephone in a closed
state according to the present invention.

FIG. 7 is a bottom view of the thin mobile telephone in a
closed state according to the present invention.

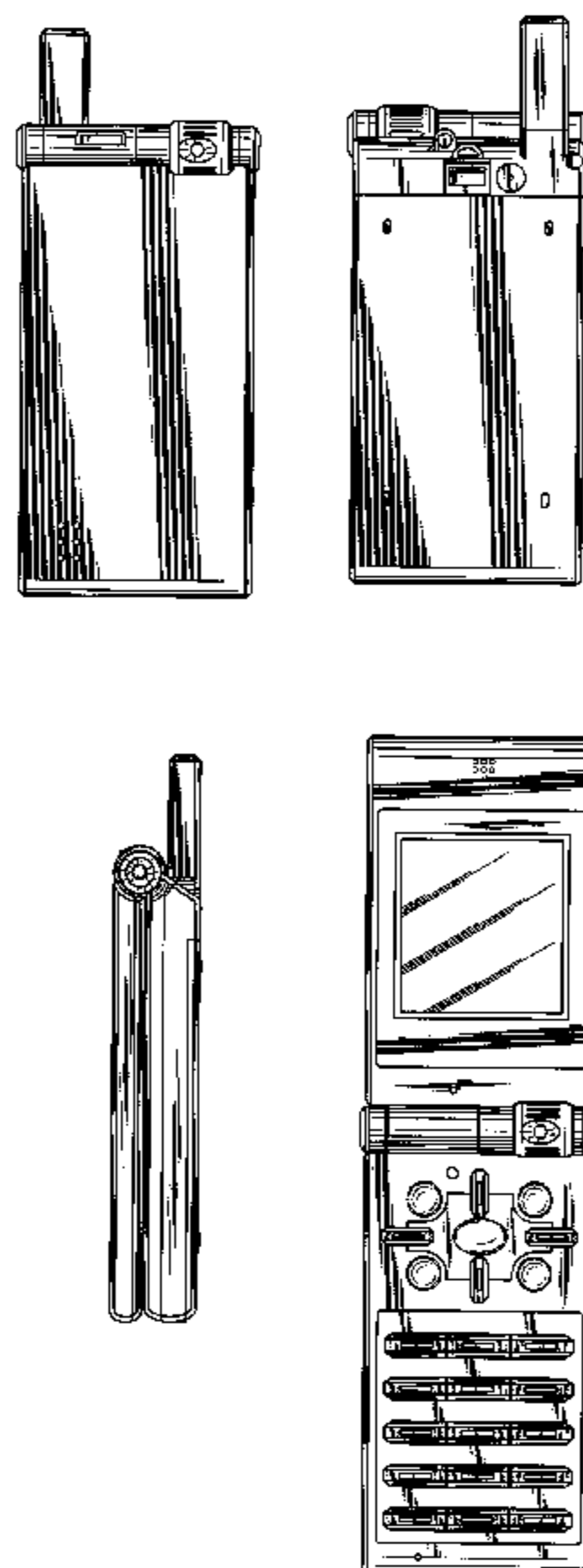
FIG. 8 is a back view of the thin mobile telephone in an open
state according to the present invention.

FIG. 9 is a side view of the thin mobile telephone in an open
state according to the present invention.

FIG. 10 is a front view of the thin mobile telephone in an open
state according to the present invention; and,

FIG. 11 is a side view of the thin mobile telephone in an open
state according to the present invention.

1 Claim, 4 Drawing Sheets



U.S. PATENT DOCUMENTS

D509,816 S * 9/2005 Kim et al. D14/138
D518,467 S * 4/2006 Kim et al. D14/138
D519,966 S * 5/2006 Salmi et al. D14/138
D525,224 S * 7/2006 Pitt et al. D14/138
2003/0092401 A1 * 5/2003 Ikeuchi 455/90
2003/0109232 A1 * 6/2003 Park et al. 455/90
2003/0125079 A1 * 7/2003 Park et al. 455/556
2004/0142721 A1 * 7/2004 Kim 455/550.1
2004/0192417 A1 * 9/2004 Nagasawa et al. 455/575.1
2005/0078211 A1 * 4/2005 Whitehom et al. 348/376
2005/0282595 A1 * 12/2005 Spence et al. 455/575.3
2006/0135225 A1 * 6/2006 Lin et al. 455/575.3

OTHER PUBLICATIONS

Samsung E870 telephone, announced 1st quarter 2006, [online], [retrieved on Sep. 14, 2006]. Retrieved from Internet ,<URL: <http://gsmarena.com>>.*
Alcatel OT-S850 telephone, announced 2nd quarter 2005, [online], [retrieved on Sep. 15, 2006]. Retrieved from Internet ,<URL: <http://gsmarena.com>>.*
Sharp 903 telephone, announced Jul. 2005, [online], [retrieved on Sep. 15, 2006]. Retrieved from Internet ,<URL: <http://gsmarena.com>>.*

* cited by examiner

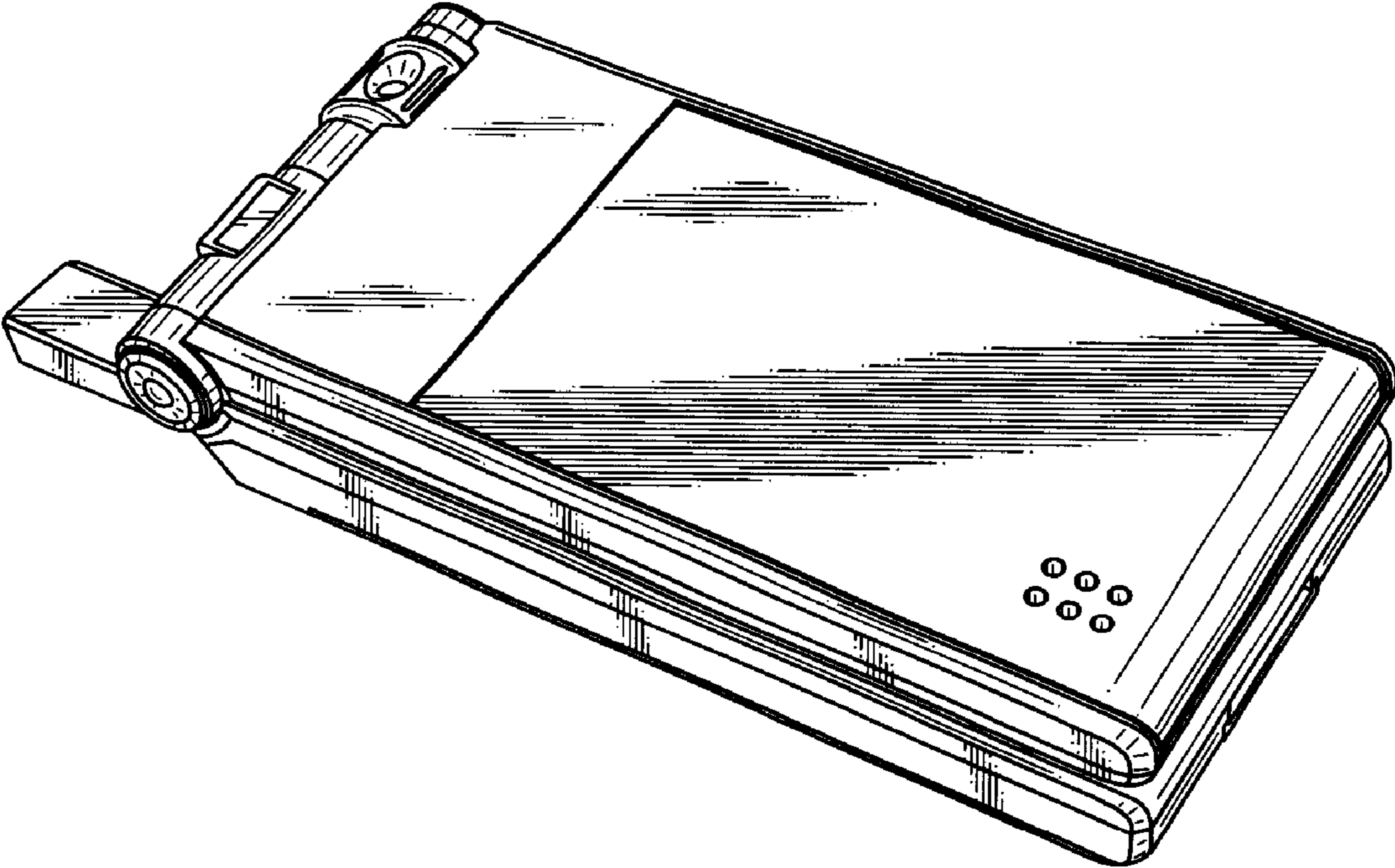


FIG. 1

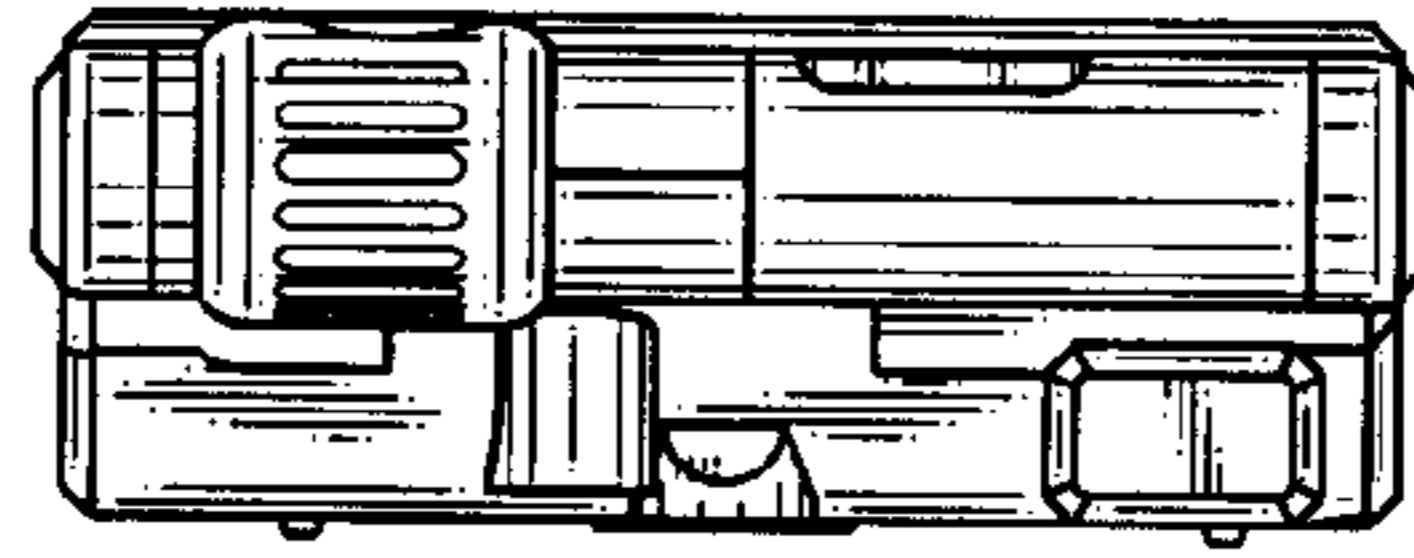


FIG. 6

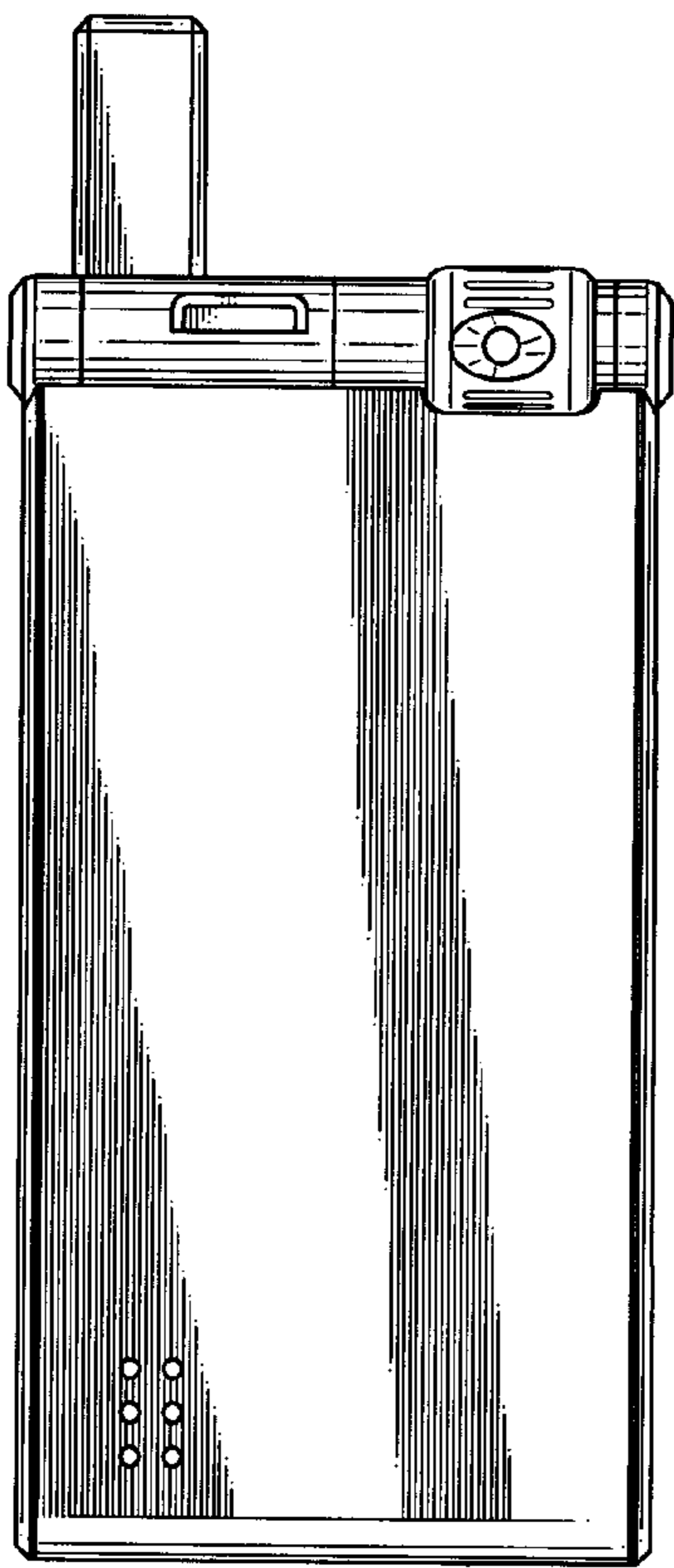


FIG. 2



FIG. 3

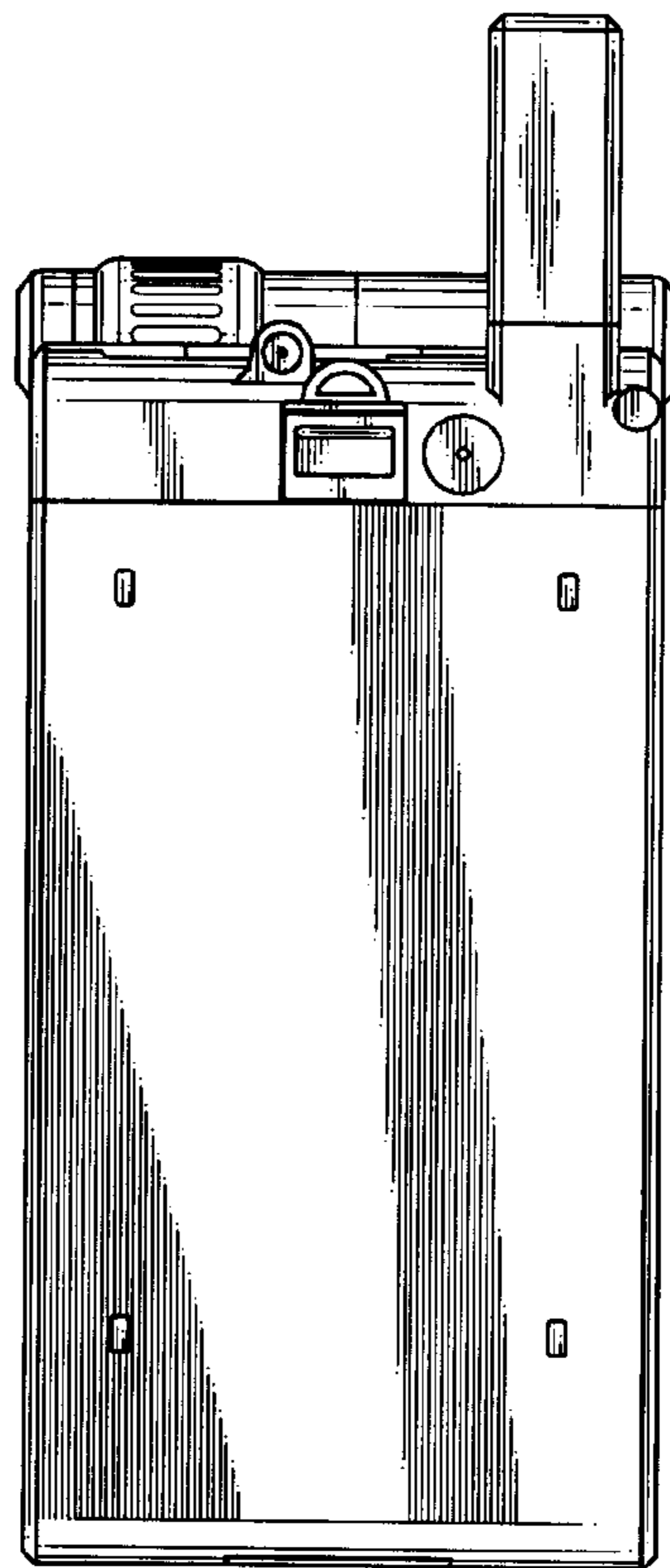


FIG. 4



FIG. 5



FIG. 7

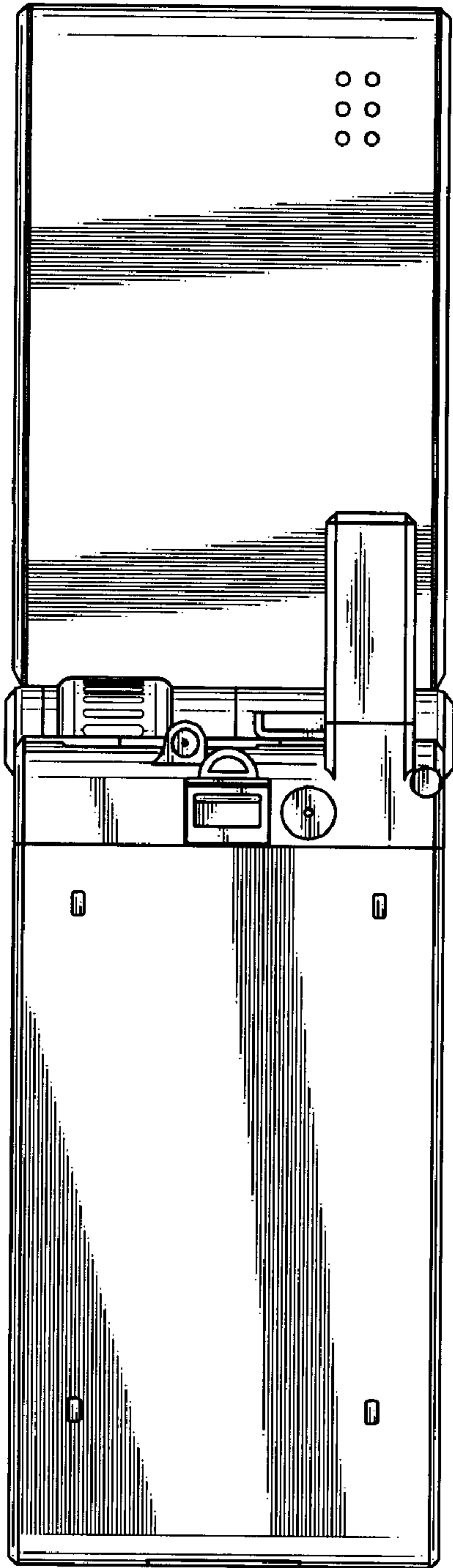


FIG. 8

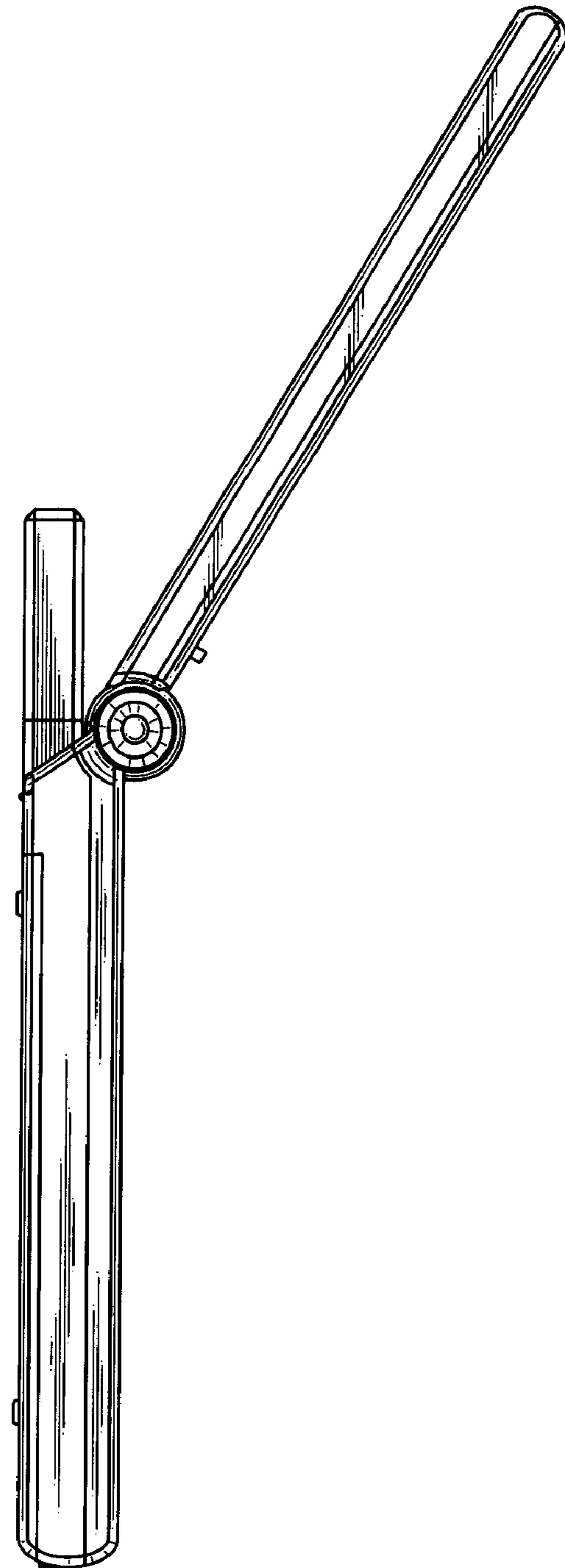


FIG. 9

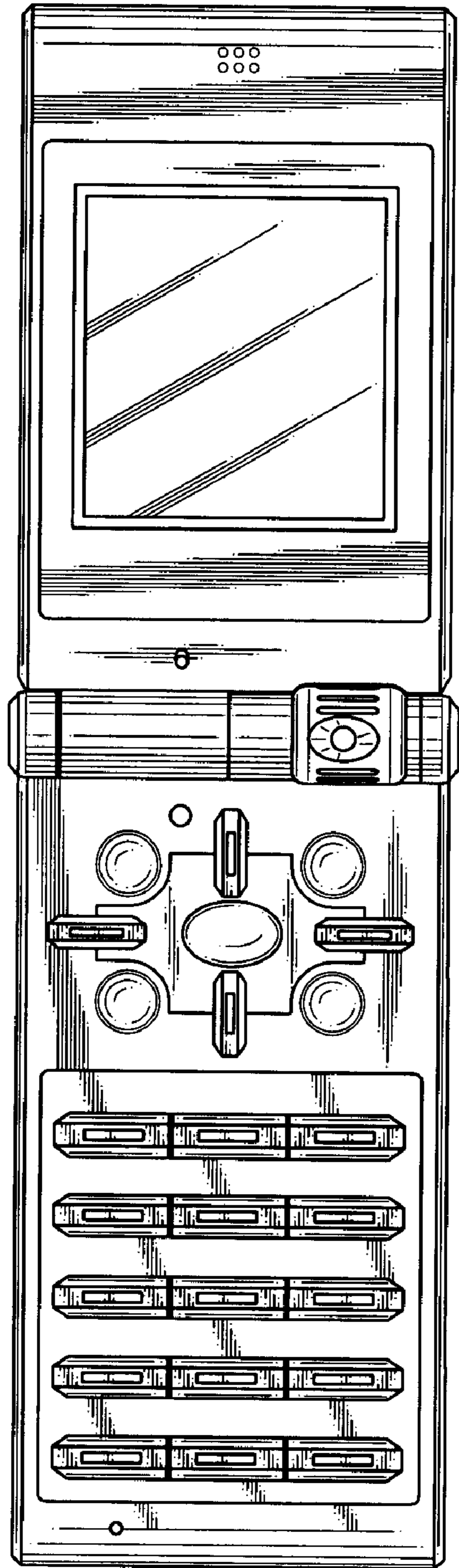


FIG. 10

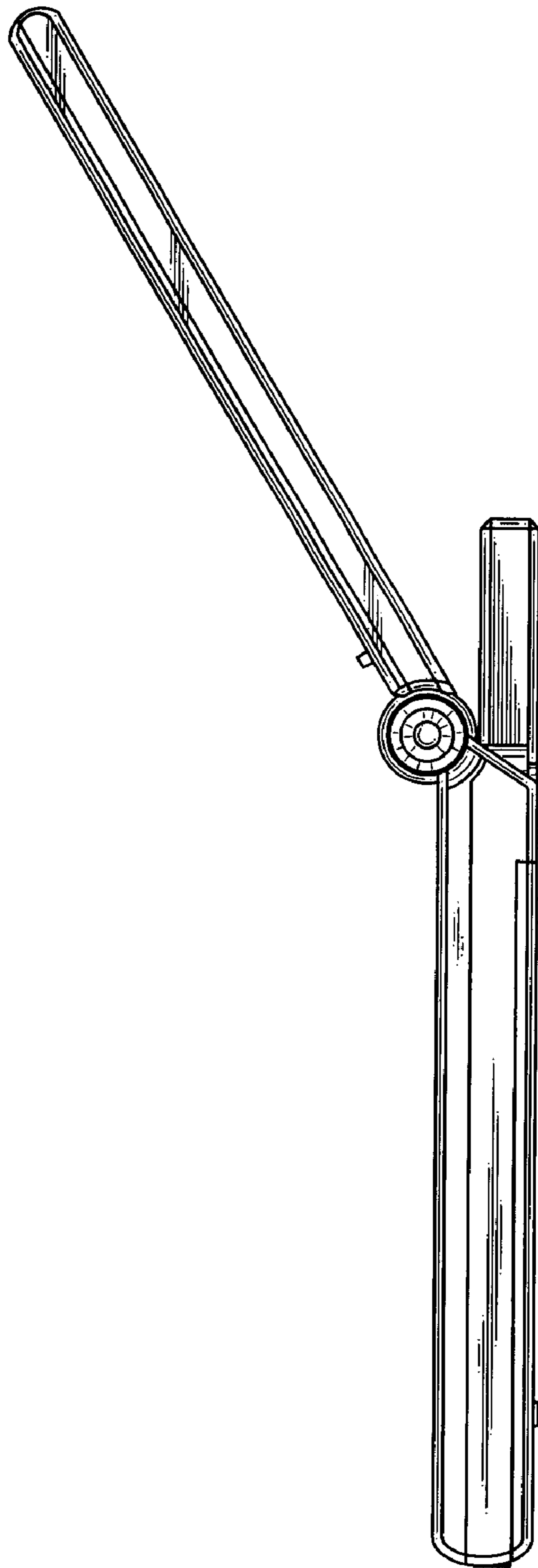


FIG. 11