

US00D536317S

(12) **United States Design Patent**
Wu

(10) **Patent No.:** **US D536,317 S**

(45) **Date of Patent:** **** Feb. 6, 2007**

(54) **MULTI-MEDIA DVD RECORDING AND REPRODUCING DEVICE**

(75) Inventor: **Chun-Ting Wu**, Hsinchu (TW)

(73) Assignee: **Lite-On IT Corporation**, Taipei (TW)

(**) Term: **14 Years**

(21) Appl. No.: **29/238,329**

(22) Filed: **Sep. 14, 2005**

(30) **Foreign Application Priority Data**

May 6, 2005 (TW) 94302648

(51) **LOC (8) Cl.** **14-01**

(52) **U.S. Cl.** **D14/136**

(58) **Field of Classification Search** D14/135-136,
D14/156-157, 167-168, 197-198, 188, 258,
D14/445; 360/99.02, 99.07; 369/75.11, 75.21,
369/77.21, 77.11; 720/612, 619, 647, 655;
455/344, 347-351

See application file for complete search history.

(56) **References Cited**

U.S. PATENT DOCUMENTS

5,859,828 A * 1/1999 Ishibashi 720/655

D407,393 S * 3/1999 Kazama D14/125
D433,410 S * 11/2000 Matsuzaka D14/365
D483,729 S * 12/2003 Huang et al. D14/136
D506,457 S * 6/2005 Hisatsune D14/168

* cited by examiner

Primary Examiner—Nanda Bondade
(74) *Attorney, Agent, or Firm*—Thomas, Kayden,
Horstemeyer & Risley

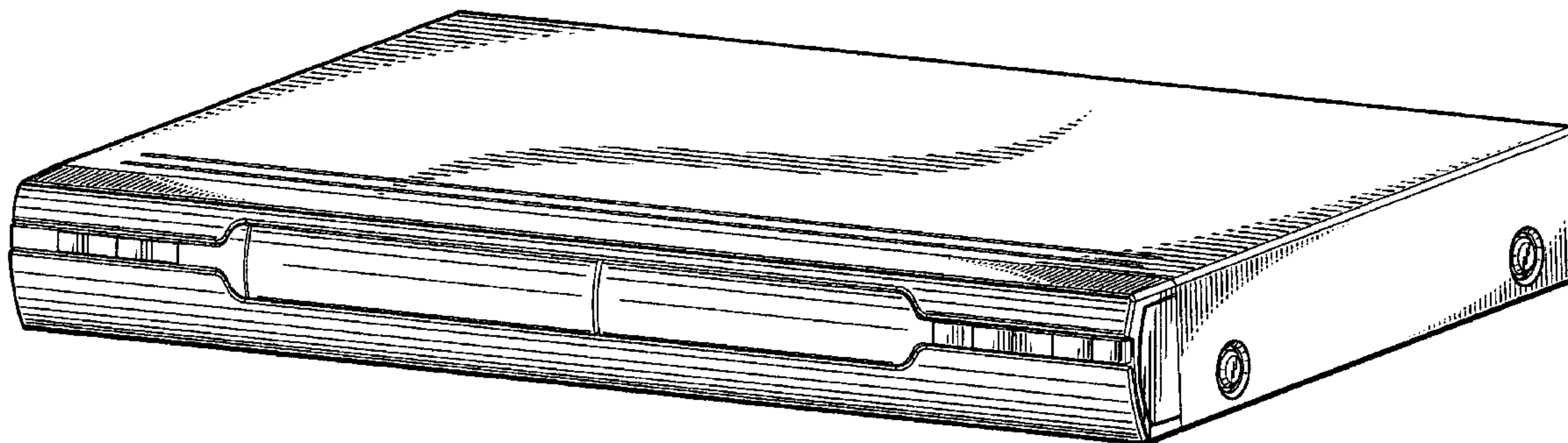
(57) **CLAIM**

The ornamental design for multi-media DVD recording and reproducing device, as shown.

DESCRIPTION

FIG. 1 is a perspective view of multi-media DVD recording and reproducing device showing my new design;
FIG. 2 is a front elevational view thereof;
FIG. 3 is a rear elevational view thereof;
FIG. 4 is a left side elevational view thereof;
FIG. 5 is a right side elevational view thereof;
FIG. 6 is a top plan view thereof; and,
FIG. 7 is a bottom plan view thereof.

1 Claim, 5 Drawing Sheets



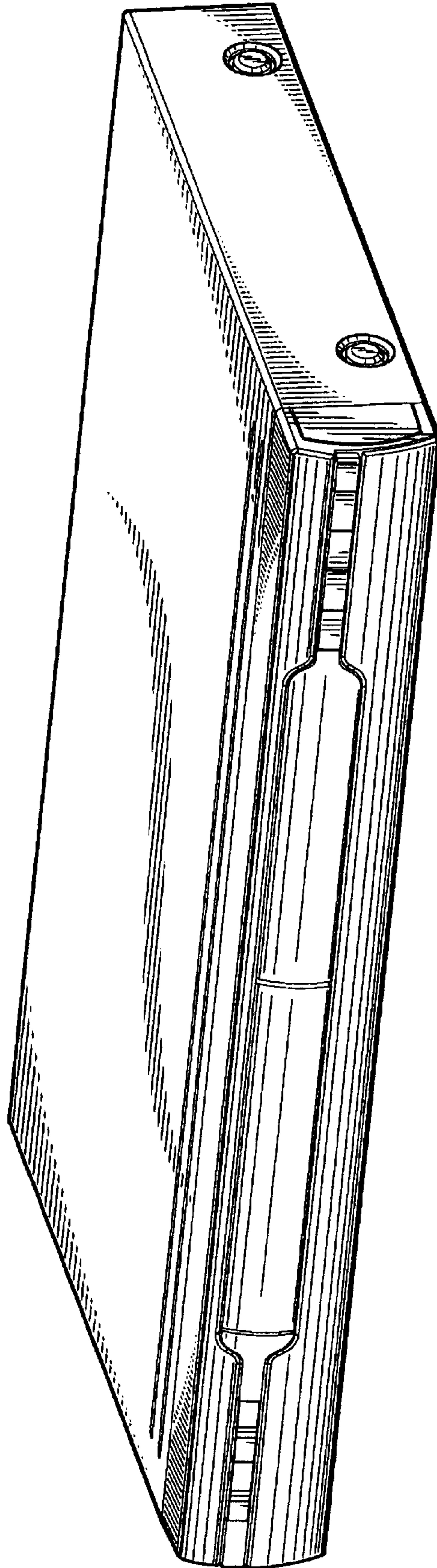


Fig. 1

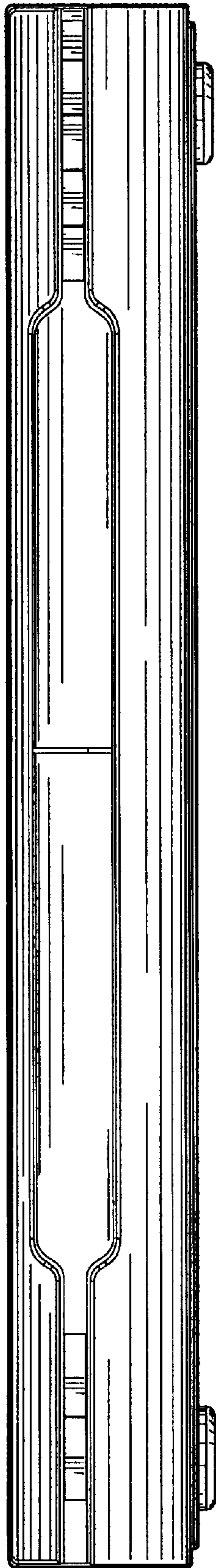


Fig. 2

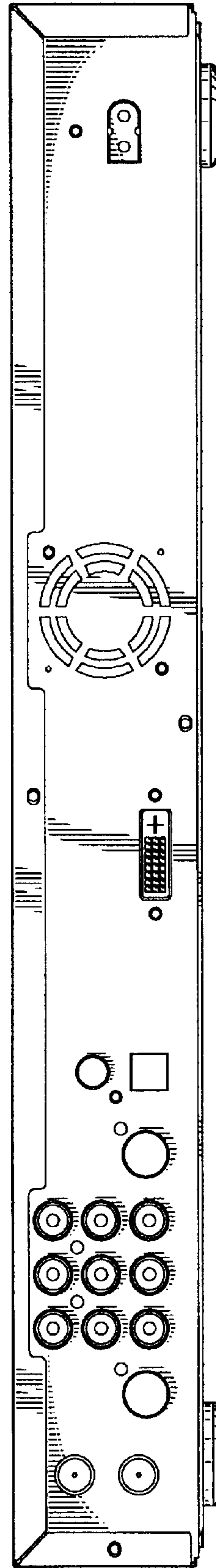


Fig. 3

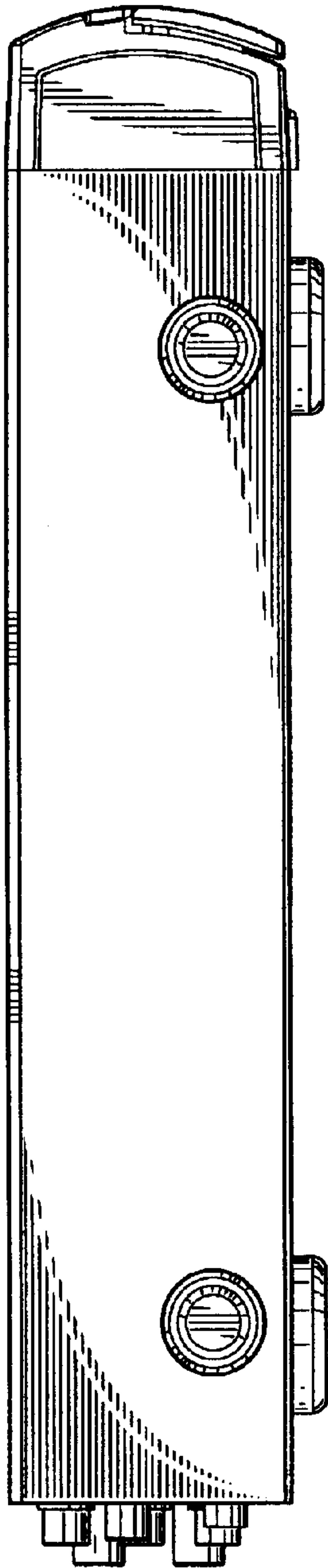


Fig. 4

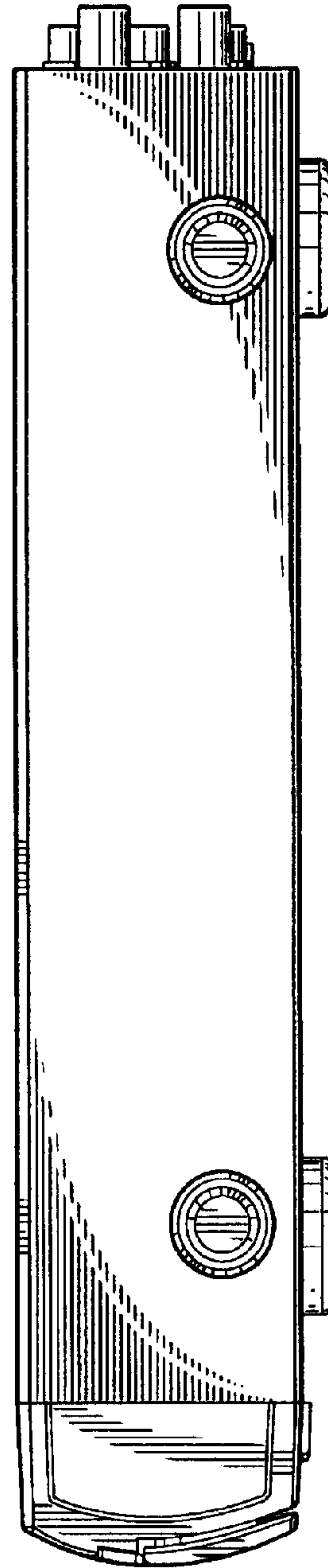


Fig. 5

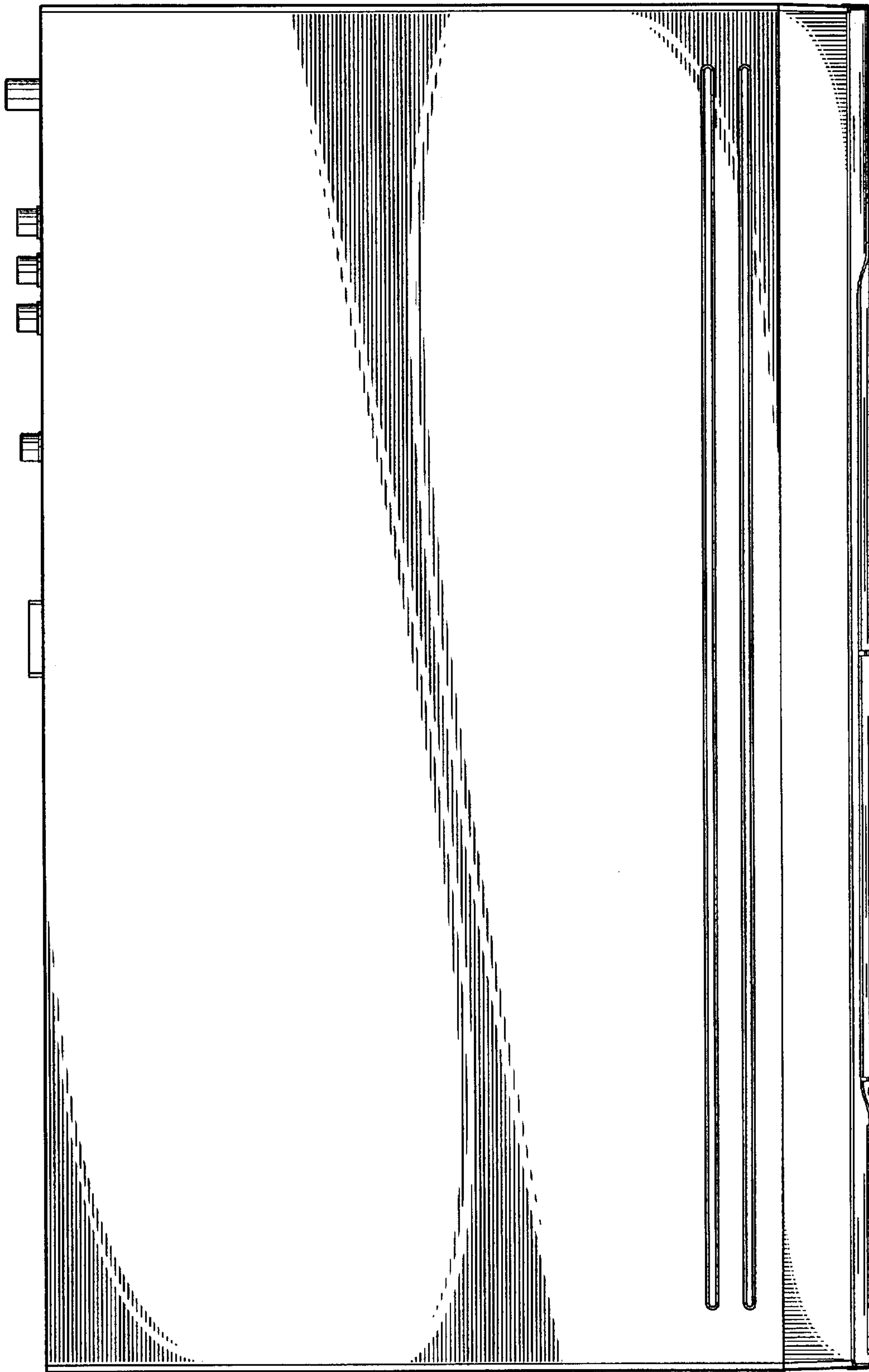


Fig. 6

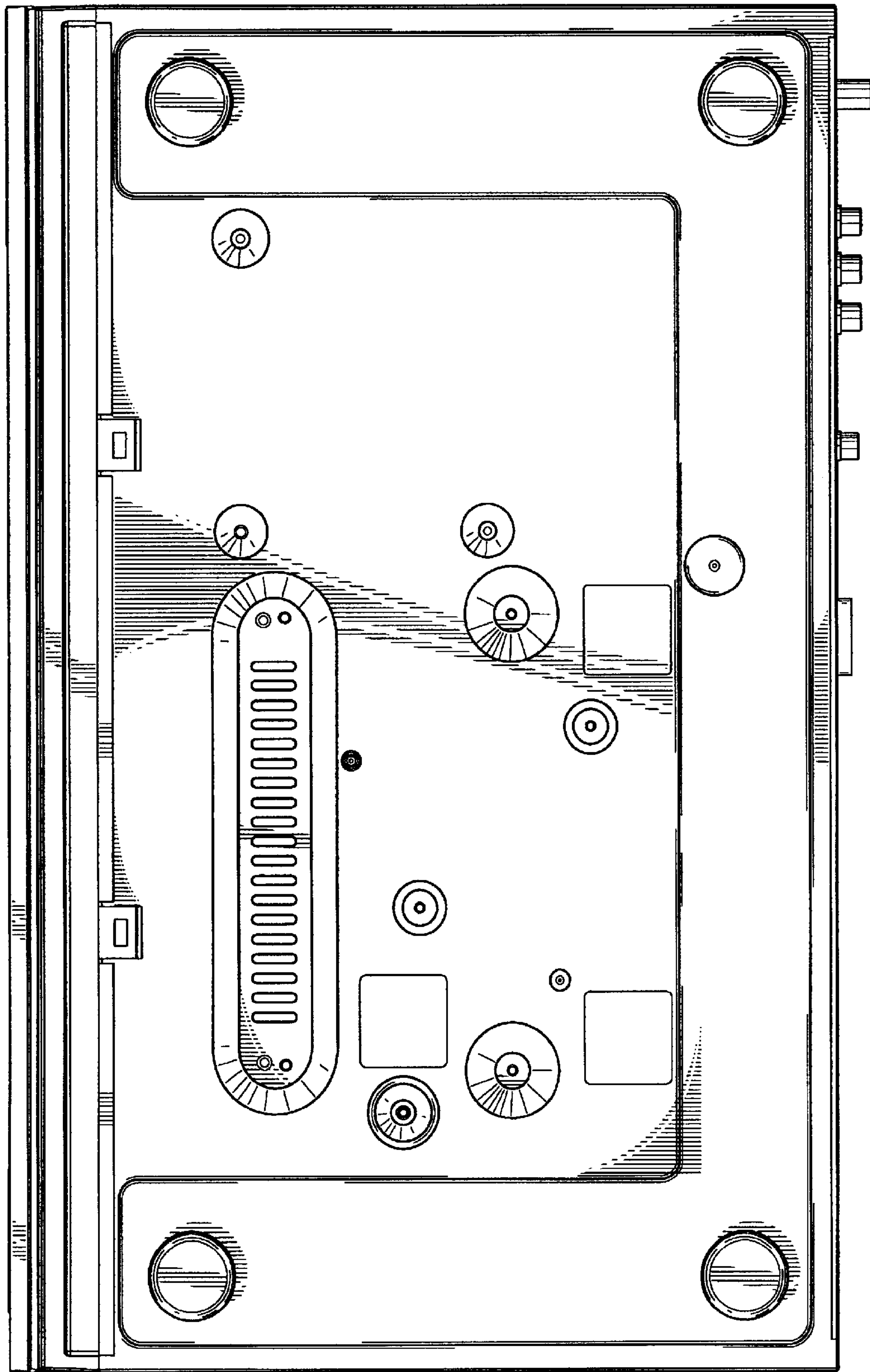


Fig. 7