



US00D536309S

(12) **United States Design Patent** (10) **Patent No.:** **US D536,309 S**  
**Muguruma et al.** (45) **Date of Patent:** **\*\* Feb. 6, 2007**

(54) **LIGHT EMITTING DIODE BOARD**

(57) **CLAIM**

(75) Inventors: **Shuji Muguruma**, Naka-gun (JP);  
**Keiji Funamoto**, Tokushima (JP)

The ornamental design for a light emitting diode board, as shown and described.

(73) Assignee: **Nichia Corporation**, Anan (JP)

**DESCRIPTION**

(\*\*) Term: **14 Years**

FIG. 1 is a front side perspective view of a light emitting diode board in accordance with the first embodiment of the our new design;

(21) Appl. No.: **29/230,927**

FIG. 2 is a top plan view of the light emitting diode board in accordance with the first embodiment of our new design;

(22) Filed: **May 31, 2005**

FIG. 3 is a bottom plan view of the light emitting diode board in accordance with the first embodiment of our new design;

(30) **Foreign Application Priority Data**

Dec. 8, 2004	(JP)	.....	2004-037488
Dec. 8, 2004	(JP)	.....	2004-037494
Dec. 8, 2004	(JP)	.....	2004-037495
Dec. 8, 2004	(JP)	.....	2004-037496
Dec. 8, 2004	(JP)	.....	2004-037583
Dec. 8, 2004	(JP)	.....	2004-037584
Dec. 8, 2004	(JP)	.....	2004-037585

FIG. 4 is a front elevational view of the light emitting diode board in accordance with the first embodiment of our new design;

(51) **LOC (8) Cl.** ..... **13-03**

FIG. 5 is a rear elevational view of the light emitting diode board in accordance with the first embodiment of our new design;

(52) **U.S. Cl.** ..... **D13/180**

FIG. 6 is a right side elevational view of the light emitting diode board in accordance with the first embodiment of our new design;

(58) **Field of Classification Search** ..... D13/180;  
D26/2; 257/79, 80, 81, 82, 88, 89, 95, 98,  
257/99, 100, 678, 680, 433, 434, 666; 313/483,  
313/498, 500; 361/820; 362/235, 249, 555,  
362/800; 372/45.01

FIG. 7 is a left side elevational view of the light emitting diode board in accordance with the first embodiment of our new design;

See application file for complete search history.

FIG. 8 is a front side perspective view of a light emitting diode board in accordance with the first embodiment of our new design;

(56) **References Cited**

**U.S. PATENT DOCUMENTS**

RE36,614 E	*	3/2000	Lumbard et al.	.....	313/500
6,345,902 B1	*	2/2002	Ohkohdo et al.	.....	362/549
6,383,835 B1	*	5/2002	Hata et al.	.....	438/65
6,422,716 B1	*	7/2002	Henrici et al.	.....	362/249
6,534,799 B1	*	3/2003	Wang et al.	.....	257/99
D505,120 S	*	5/2005	Suenaga	.....	D13/180
D508,234 S	*	8/2005	Moriyama et al.	.....	D13/180

FIG. 9 is a top plan view of the light emitting diode board in accordance with the first embodiment of our new design with a surrounding structure shown in broken lines;

\* cited by examiner

FIG. 10 is a bottom plan view of the light emitting diode board in accordance with the first embodiment of our new design with a surrounding structure shown in broken lines;

*Primary Examiner*—Selina Sikder

FIG. 11 is a front elevational view of the light emitting diode board in accordance with the first embodiment of our new design with a surrounding structure shown in broken lines;

(74) *Attorney, Agent, or Firm*—Global IP Counselors, LLP

FIG. 12 is a rear elevational view of the light emitting diode board in accordance with the first embodiment of our new design with a surrounding structure shown in broken lines;

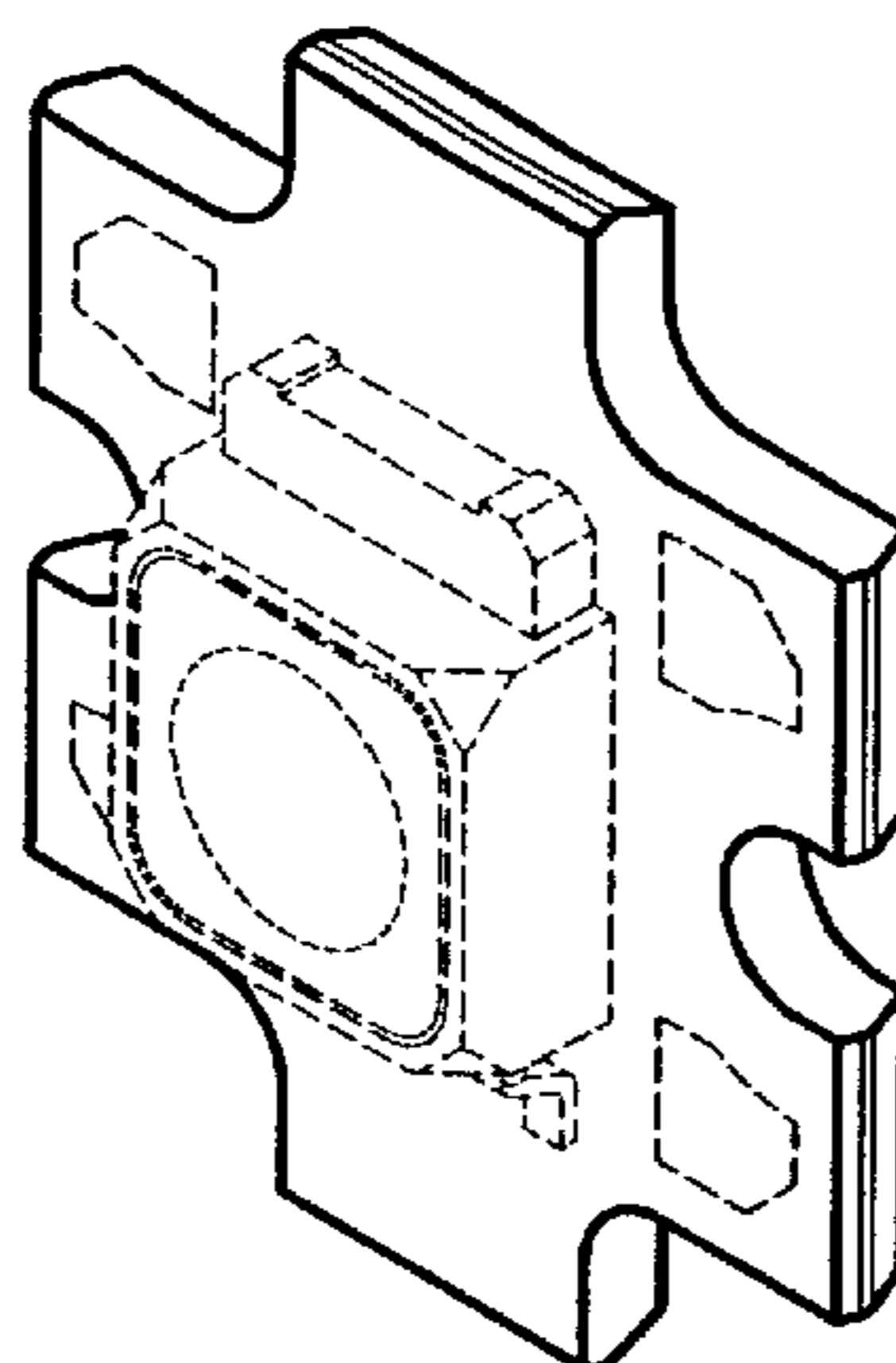


FIG. **13** is a right side elevational view of the light emitting diode board in accordance with the first embodiment of our new design with a surrounding structure shown in broken lines;

FIG. **14** is a left side elevational view of the light emitting diode board in accordance with the first embodiment of our new design with a surrounding structure shown in broken lines;

FIG. **15** is a front side perspective view of a light emitting diode board in accordance with the second embodiment of our new design;

FIG. **16** is a top plan view of the light emitting diode board in accordance with the second embodiment of our new design;

FIG. **17** is a bottom plan view of the light emitting diode board in accordance with the second embodiment of our new design;

FIG. **18** is a front elevational view of the light emitting diode board in accordance with the second embodiment of our new design;

FIG. **19** is a rear elevational view of the light emitting diode board in accordance with the second embodiment of our new design;

FIG. **20** is a right side elevational view of the light emitting diode board in accordance with the second embodiment of our new design; and,

FIG. **21** is a left side elevational view of the light emitting diode board in accordance with the second embodiment of our new design.

The broken lines and dotted lines showing the environment (the remaining structure of the light emitting diode board) in the Figures are provided for illustrative purposes only and form no part of the claimed design.

**1 Claim, 12 Drawing Sheets**

FIGURE 1

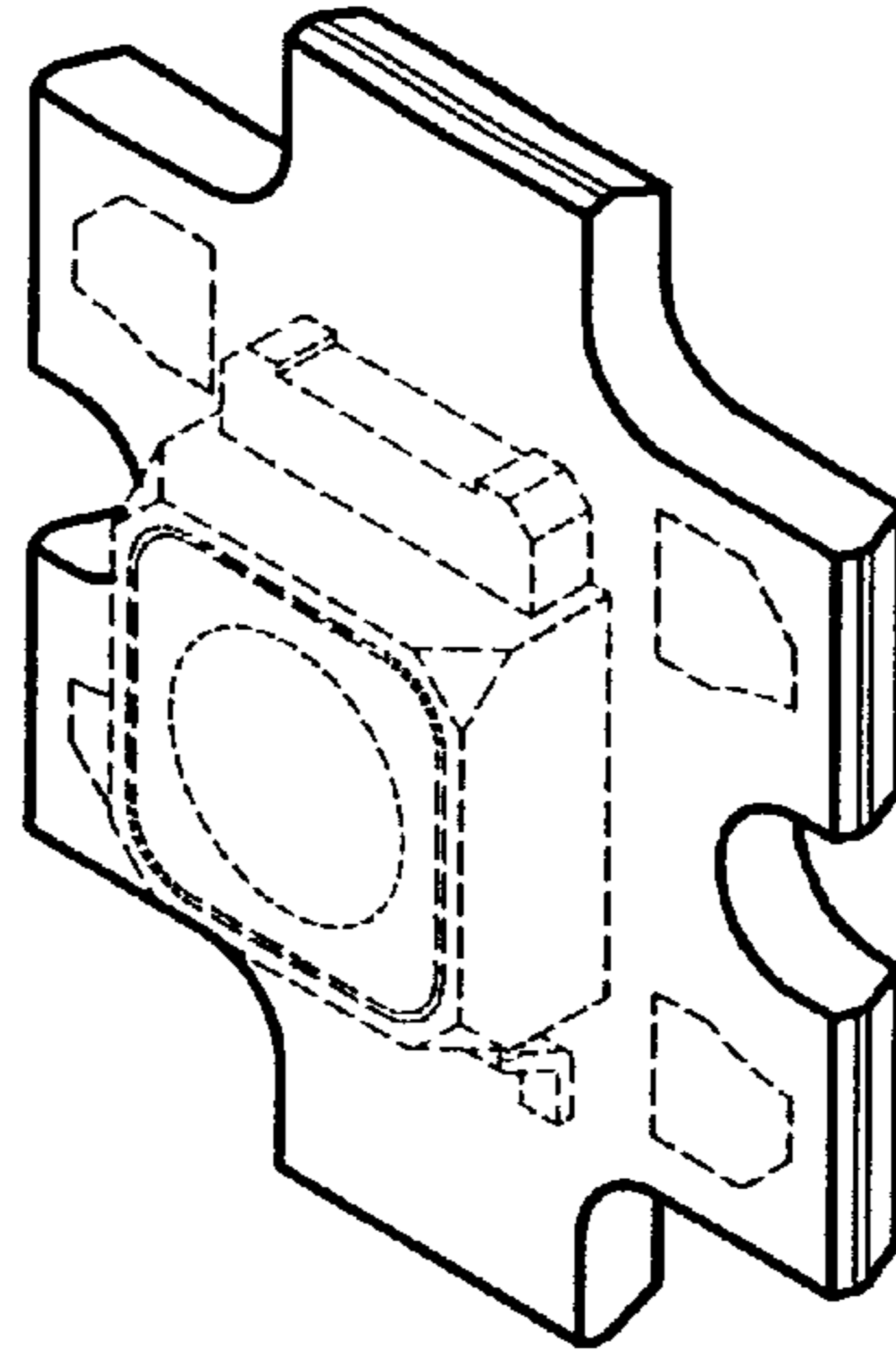


FIGURE 2

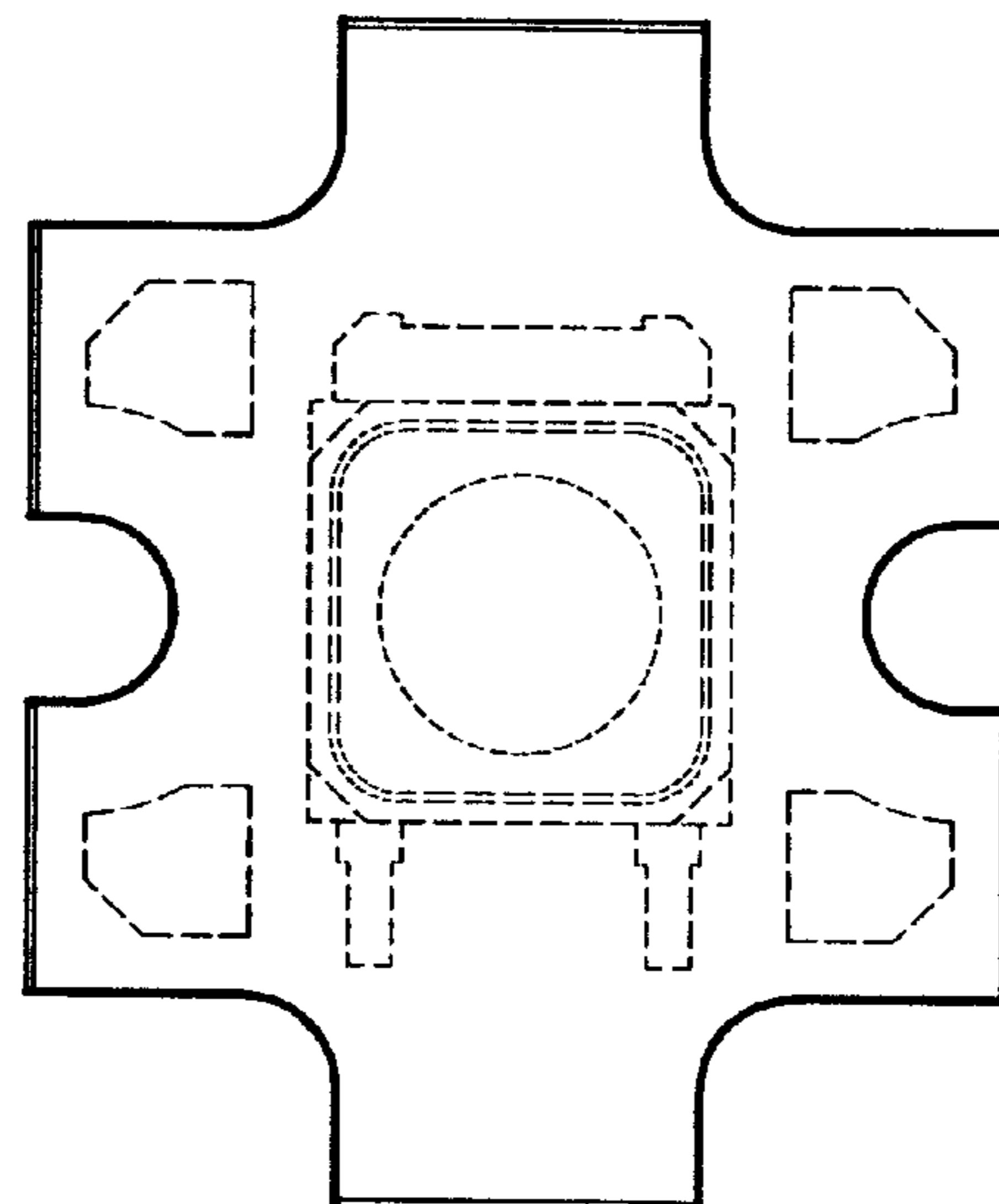


FIGURE 3

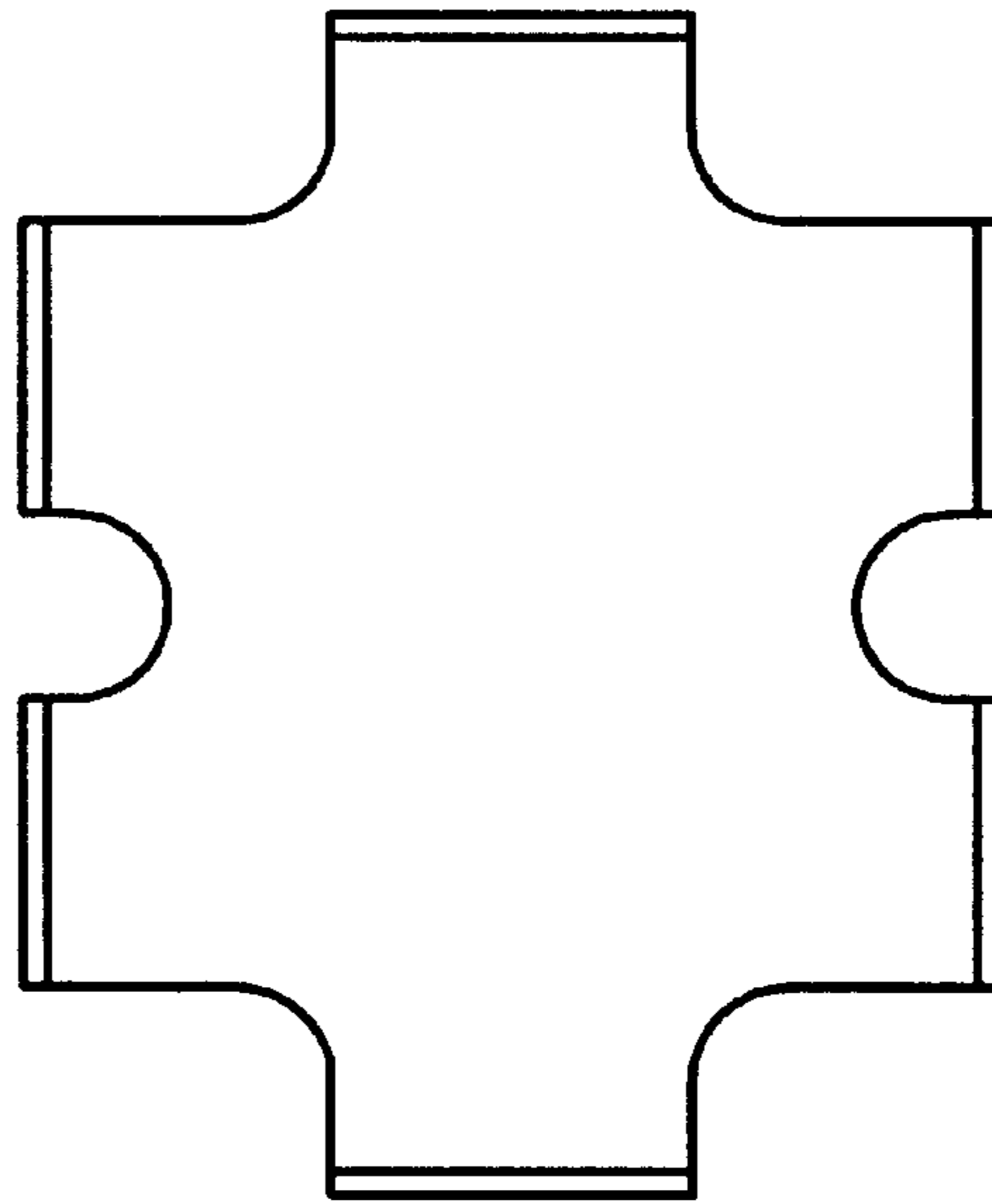


FIGURE 4

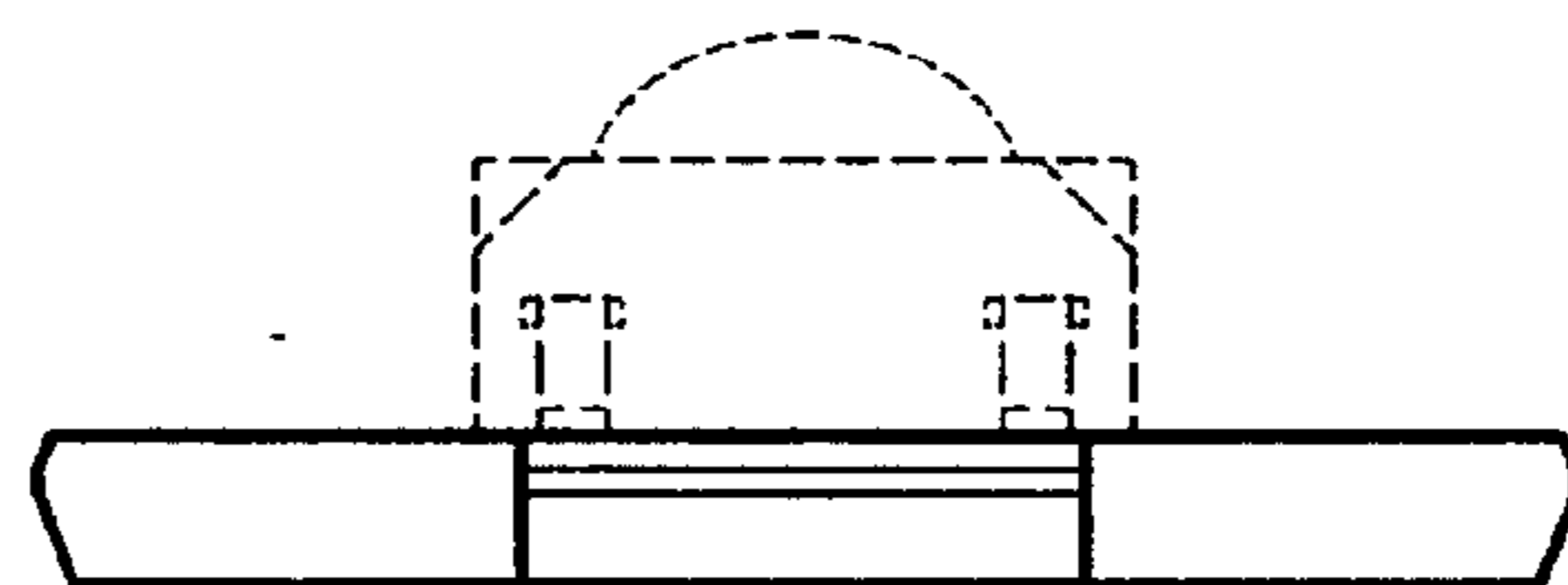


FIGURE 5

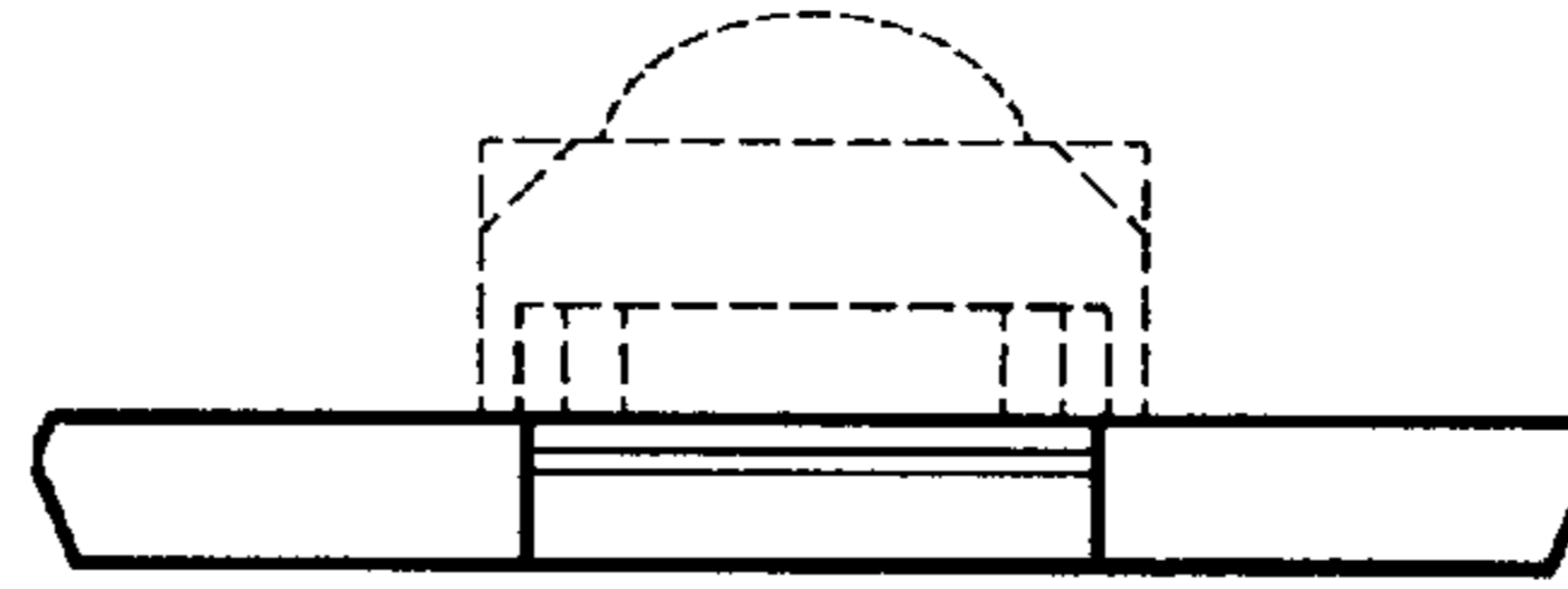


FIGURE 6

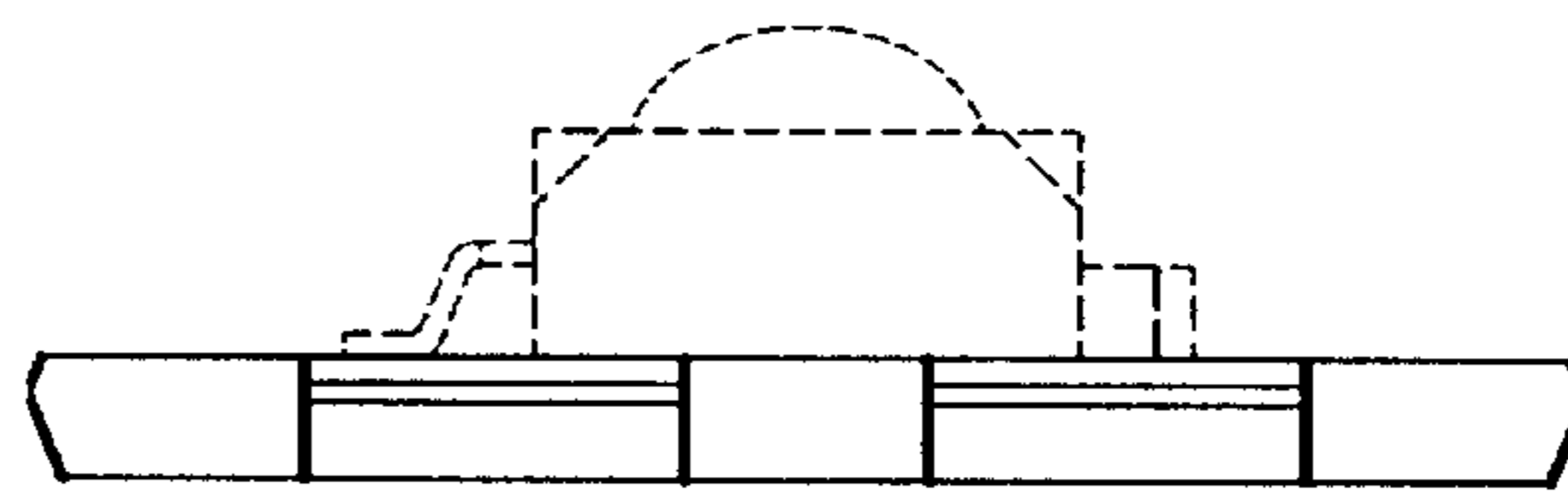


FIGURE 7

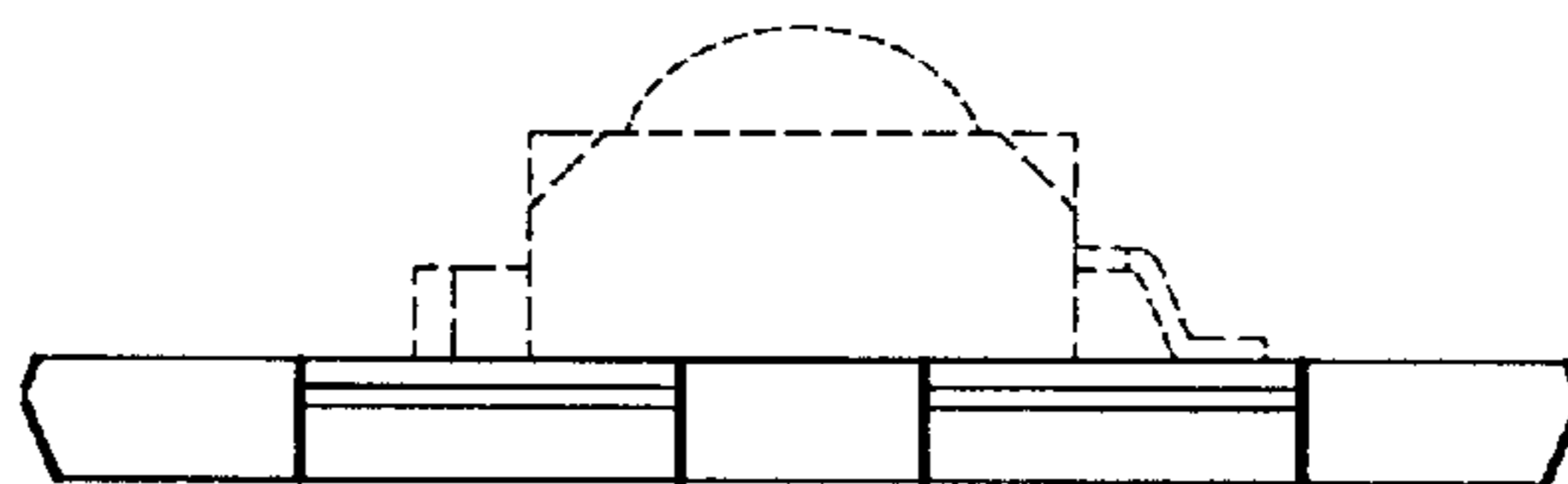


FIGURE 8

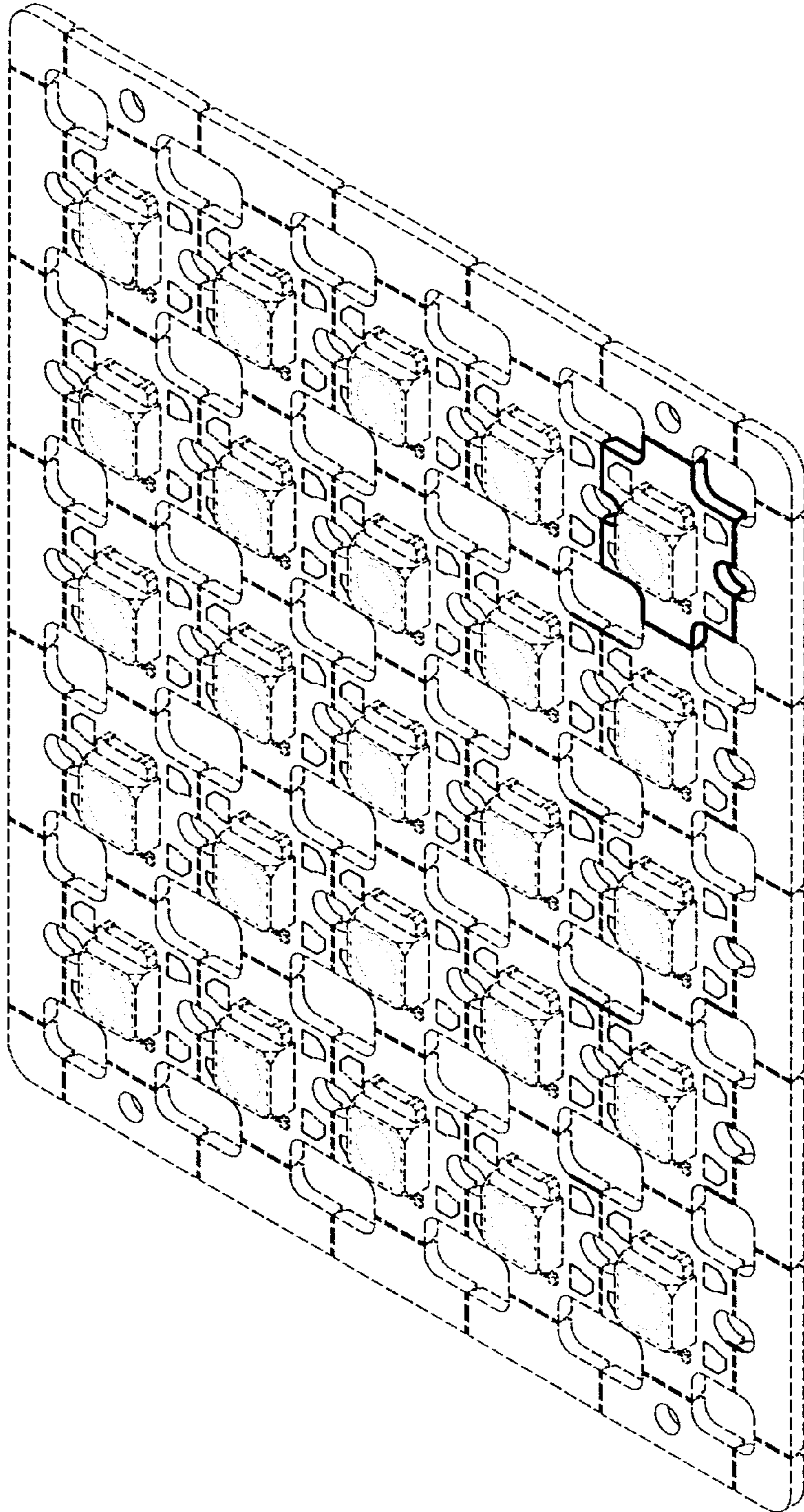


FIGURE 9

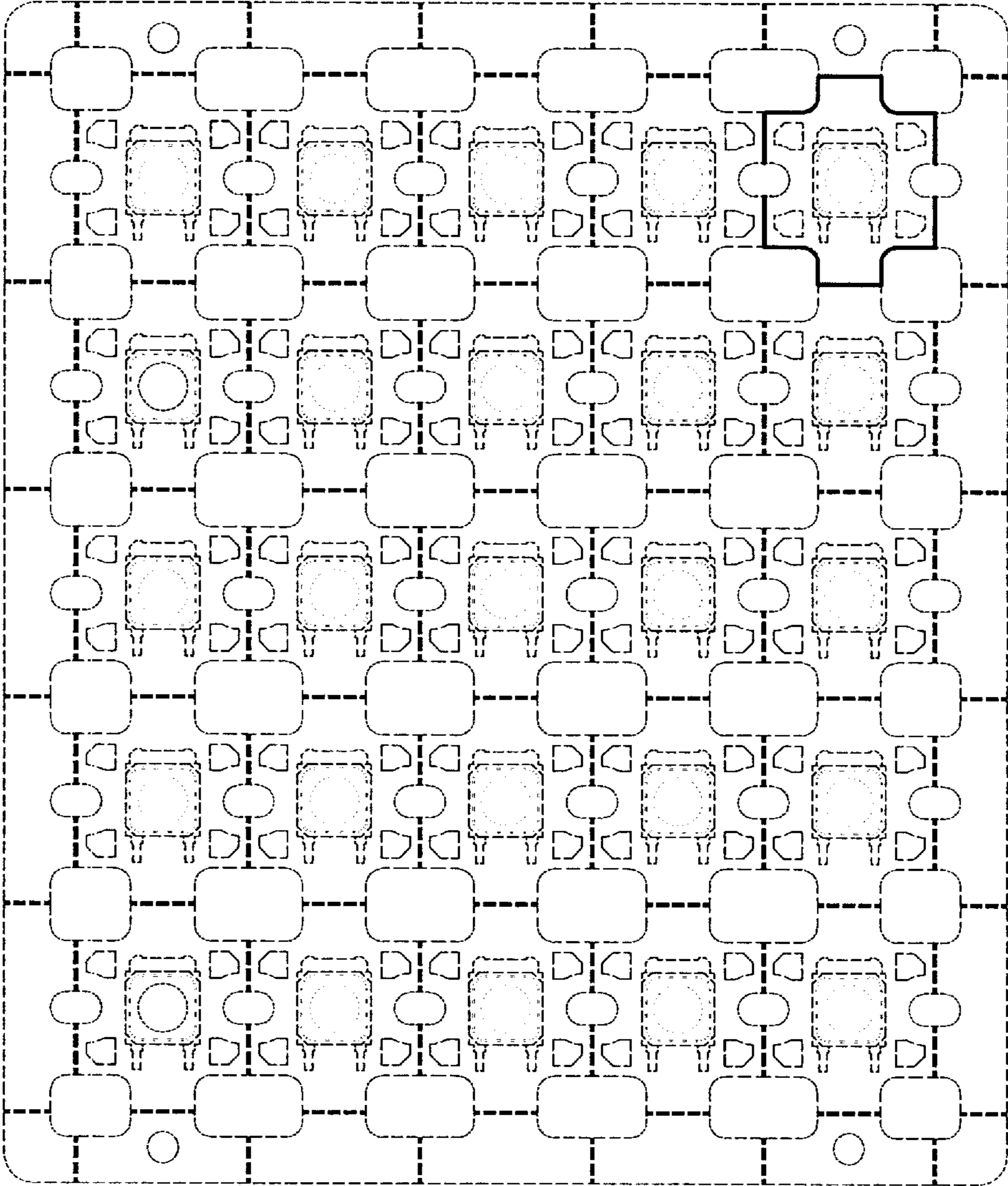


FIGURE 10

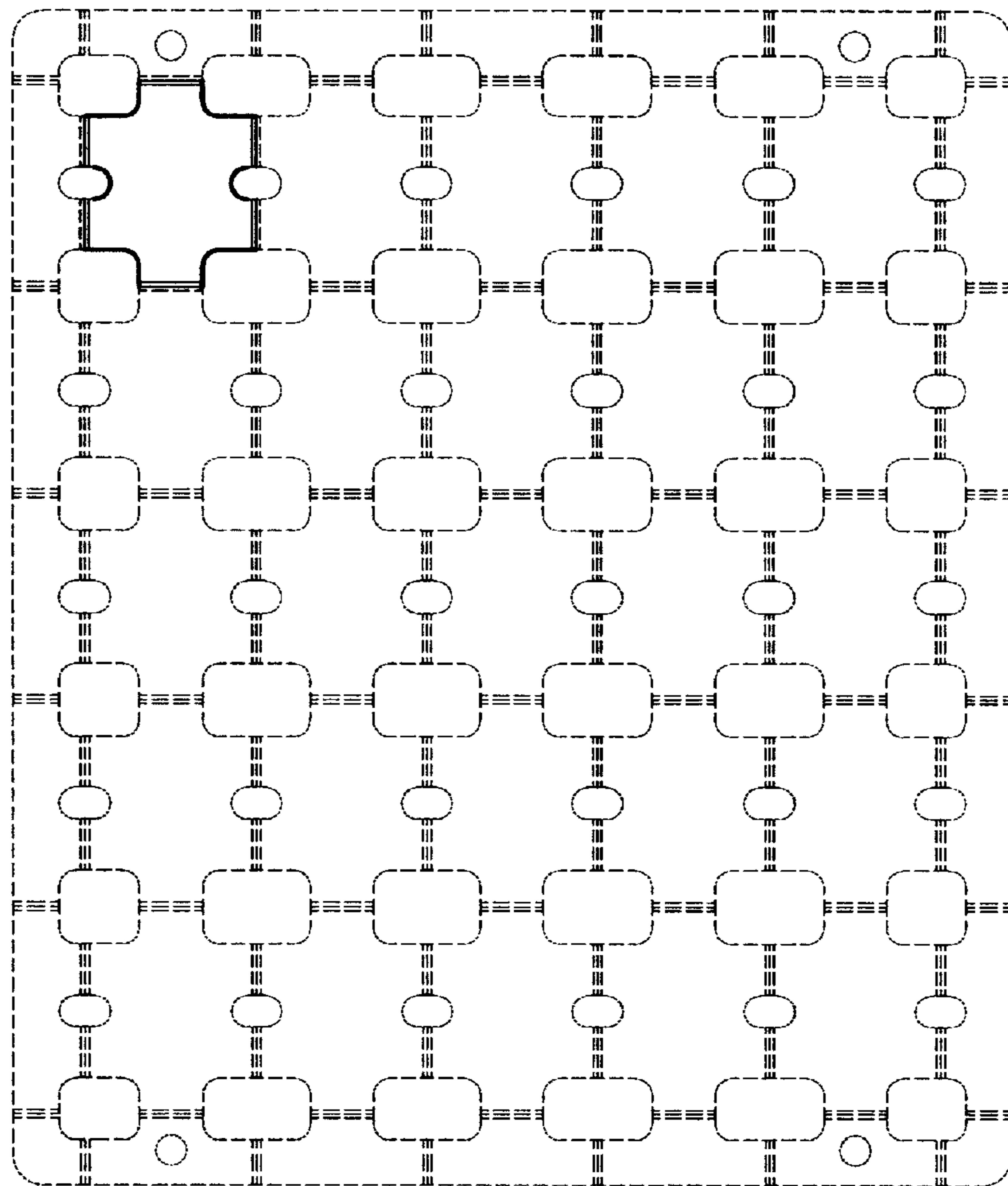




FIGURE 11

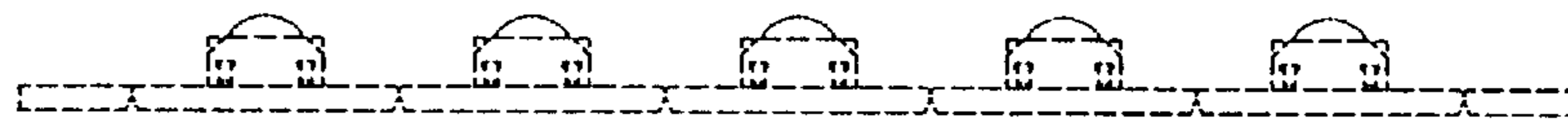


FIGURE 12



FIGURE 13



FIGURE 14



# FIGURE 15

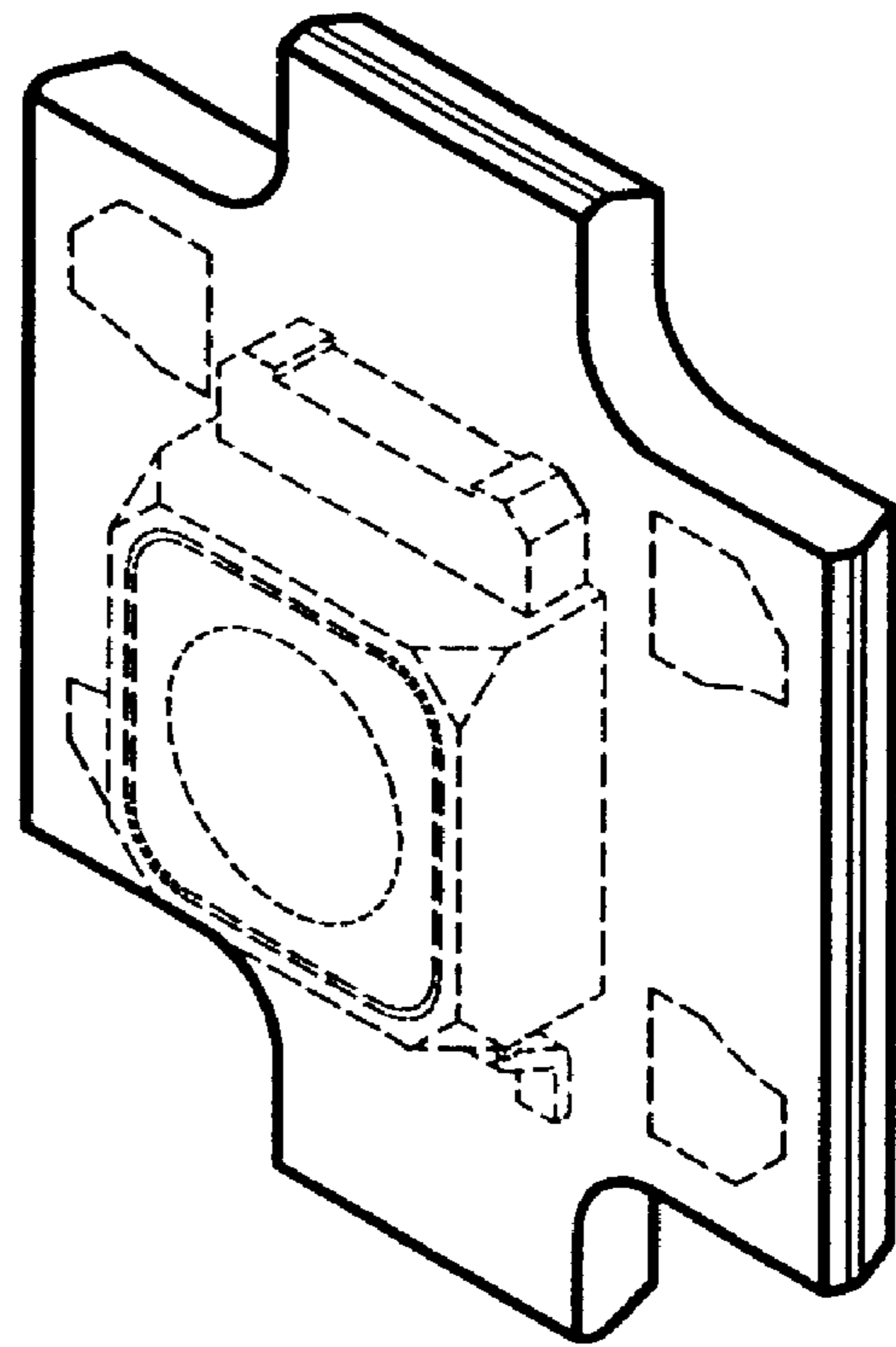


FIGURE 16

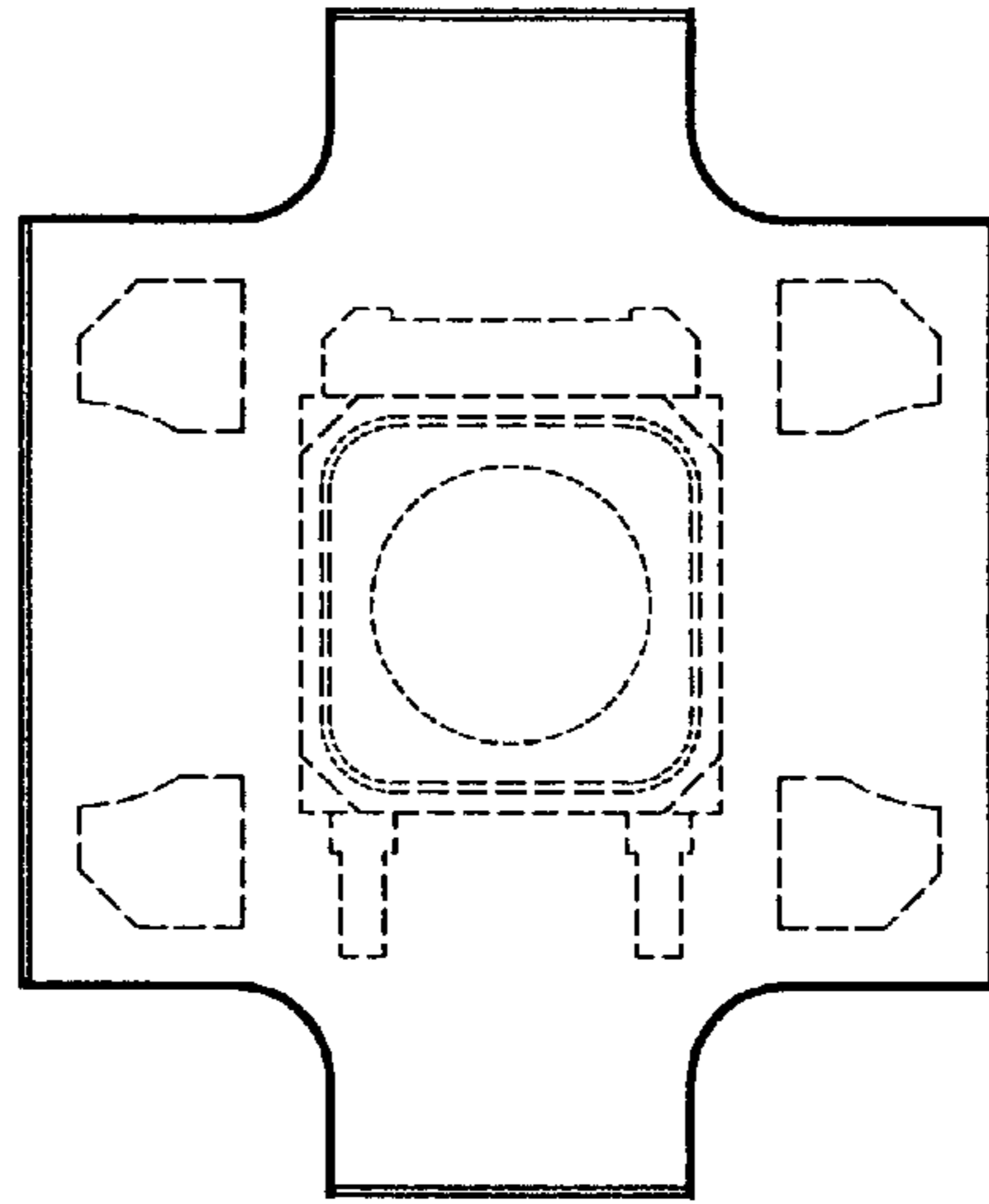


FIGURE 17

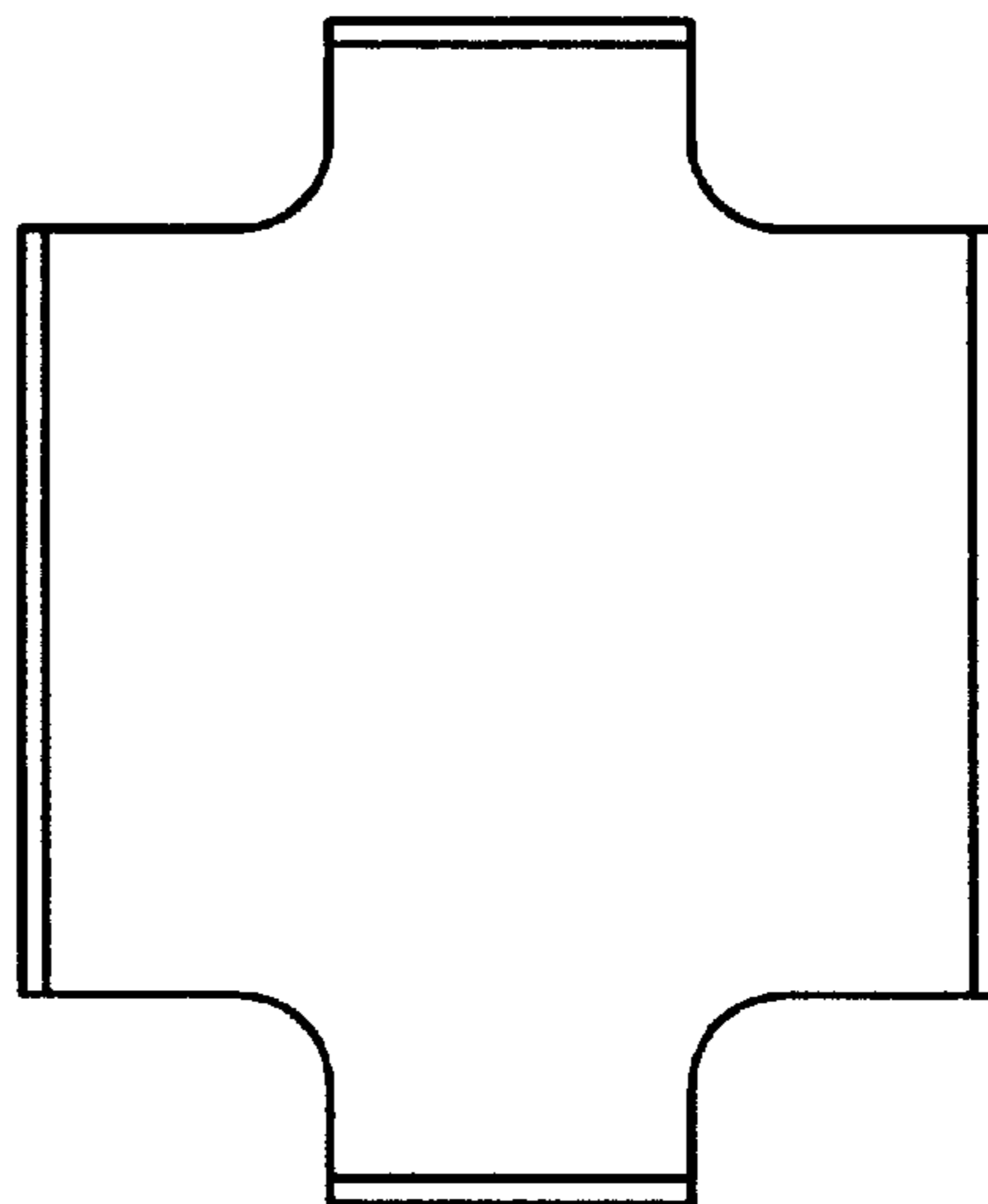


FIGURE 18

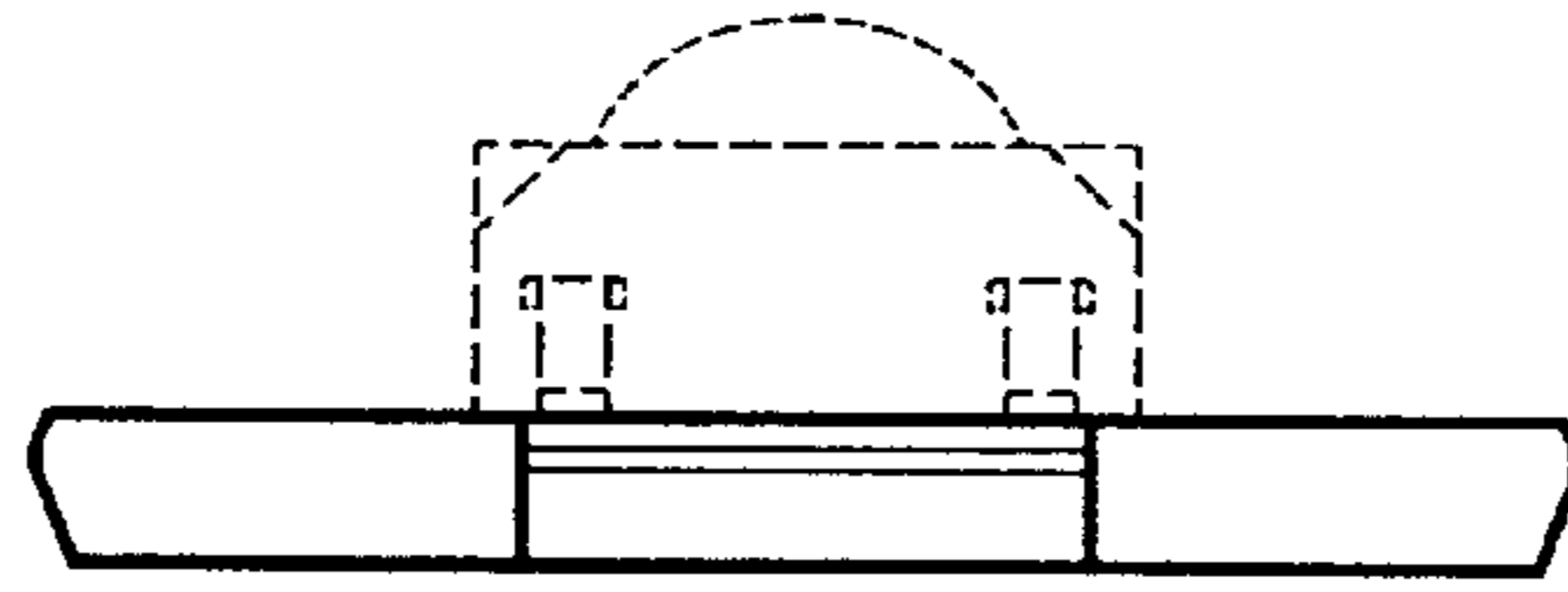


FIGURE 19

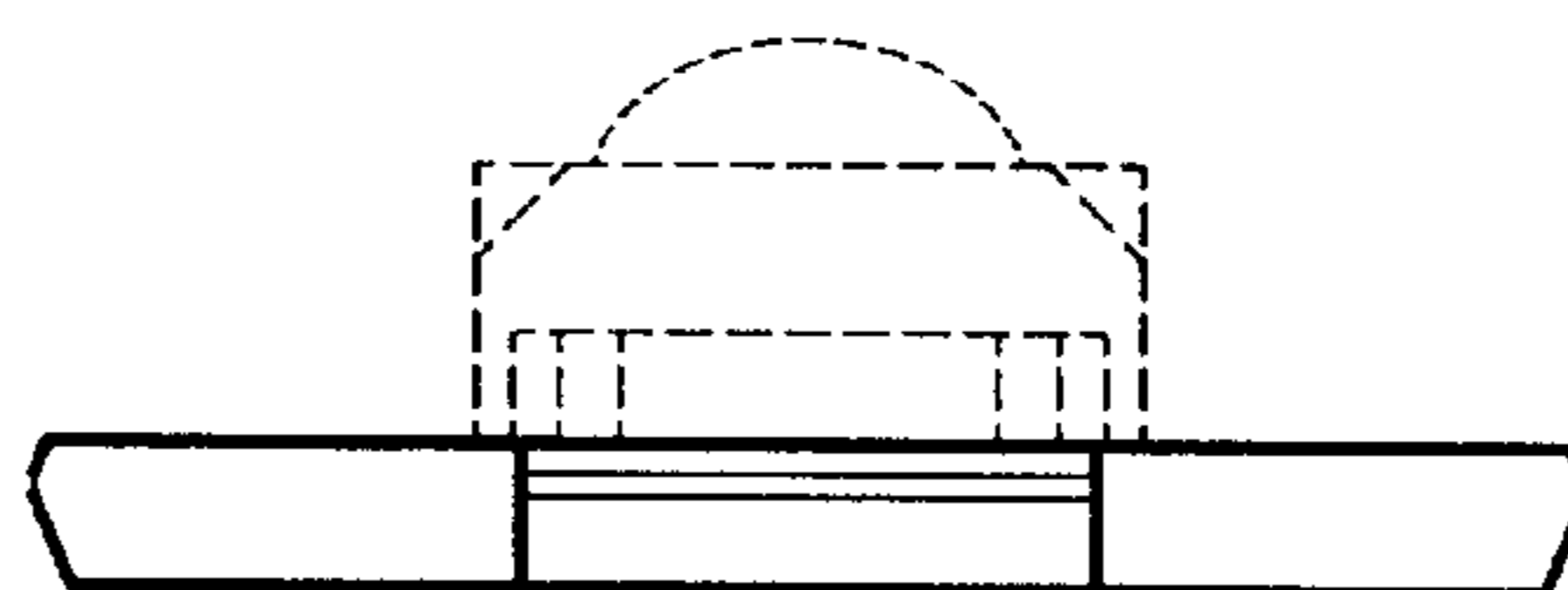


FIGURE 20

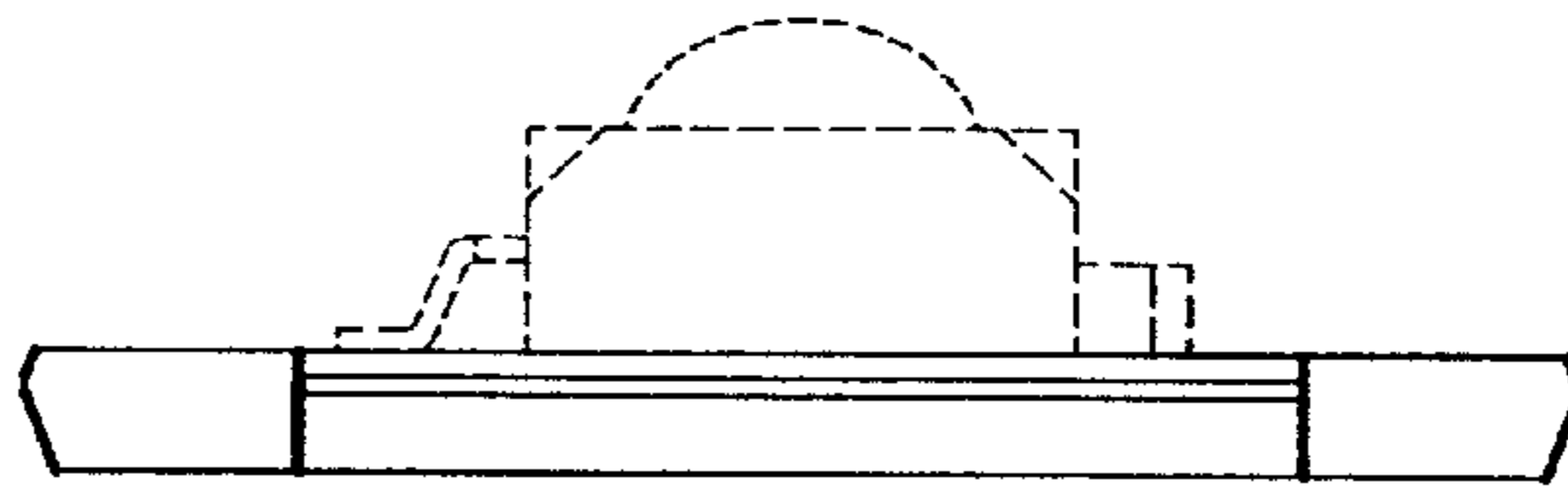


FIGURE 21

