



US00D536306S

(12) **United States Design Patent**
Huang

(10) **Patent No.:** **US D536,306 S**
(45) **Date of Patent:** **** Feb. 6, 2007**

(54) **ELECTRICAL CONNECTOR**

(75) Inventor: **Hung-Way Huang**, Taipei (TW)

(73) Assignee: **Advanced-Connectek, Inc.**, Taipei (TW)

(**) Term: **14 Years**

(21) Appl. No.: **29/225,585**

(22) Filed: **Mar. 18, 2005**

(30) **Foreign Application Priority Data**

Oct. 18, 2004 (TW) 93305918

(51) **LOC (8) Cl.** **13-03**

(52) **U.S. Cl.** **D13/147**

(58) **Field of Classification Search** D13/133,
D13/146-147, 154, 184, 199; 439/352-353,
439/357-358, 677-681, 607, 610, 686
See application file for complete search history.

(56) **References Cited**

U.S. PATENT DOCUMENTS

D275,850 S	*	10/1984	Wilson	D13/147
4,722,022 A	*	1/1988	Myers et al.	361/818
D312,816 S	*	12/1990	Huang	D13/147
D319,431 S	*	8/1991	Constien	D13/184
D411,827 S	*	7/1999	Gilliland et al.	D13/147
D443,862 S	*	6/2001	Milan	D13/154

6,579,114 B2	*	6/2003	Lord	439/358
D495,300 S	*	8/2004	Huang	D13/147
D496,632 S	*	9/2004	David et al.	D13/147
D515,510 S	*	2/2006	Huang	D13/147

* cited by examiner

Primary Examiner—Stella Reid

Assistant Examiner—Daniel Bui

(74) *Attorney, Agent, or Firm*—Chauncey B. Johnson, Esq.;
Johnson & Associates, P.C.

(57) **CLAIM**

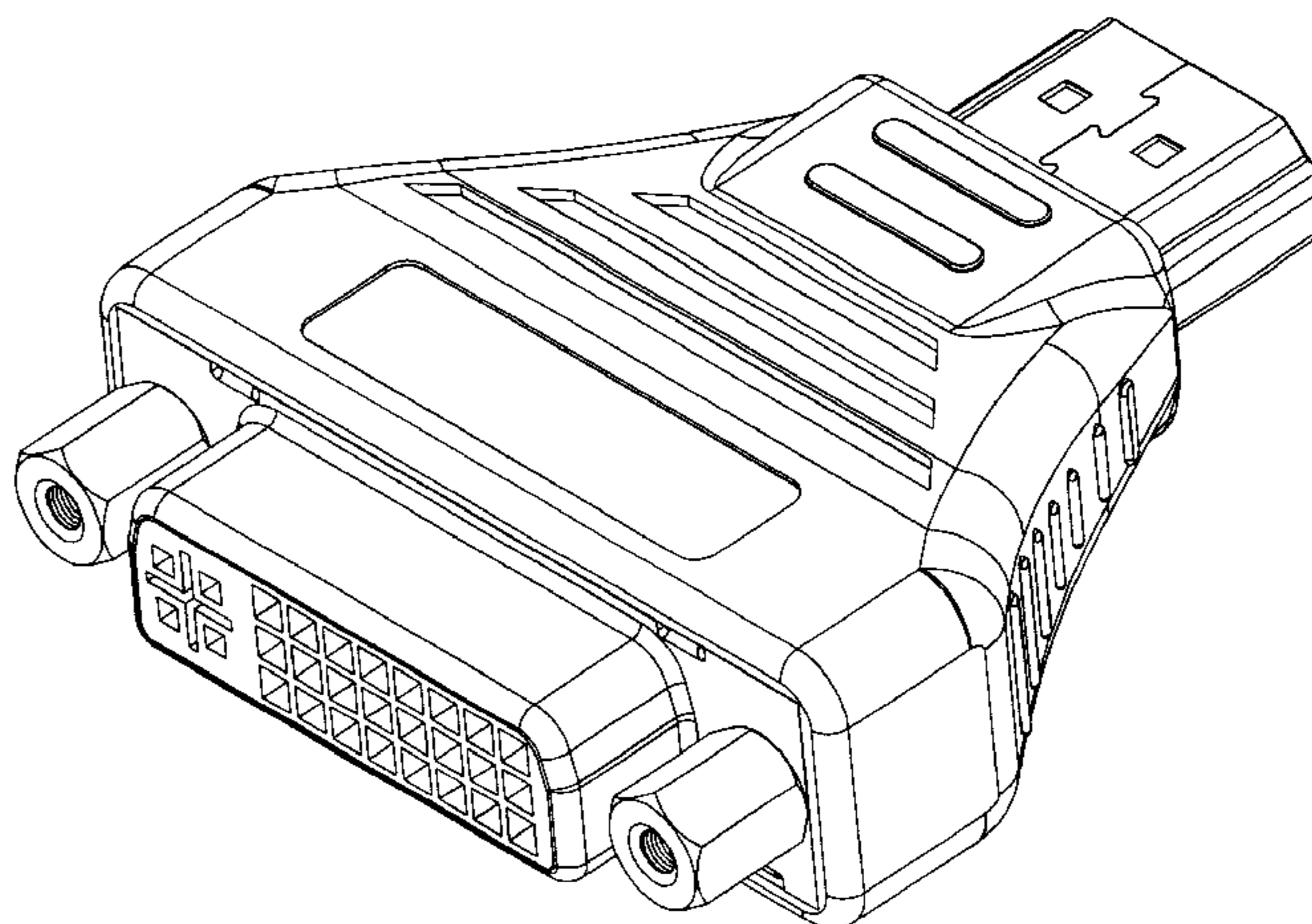
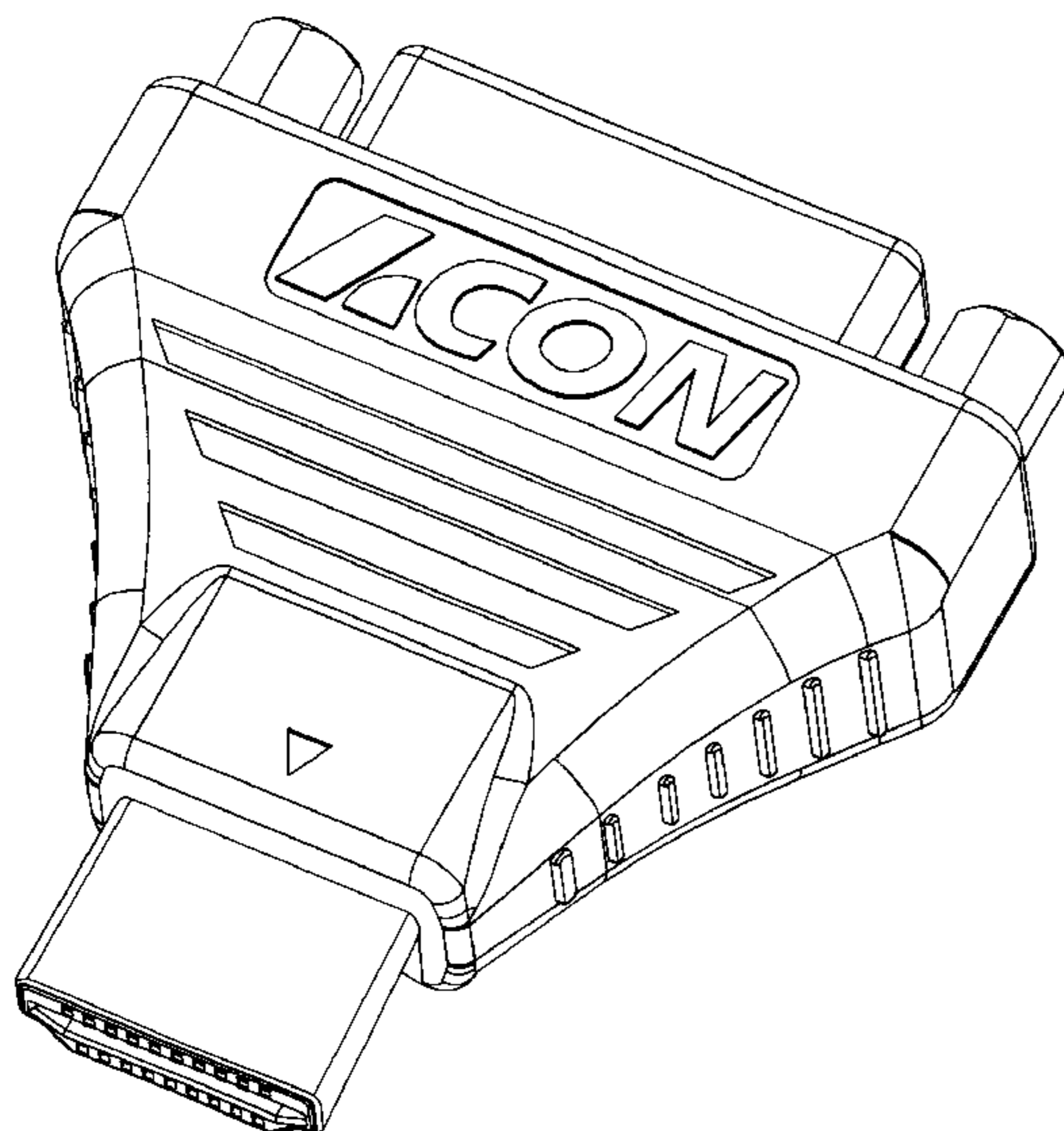
The ornamental design for an electrical connector, as shown and described.

DESCRIPTION

FIG. 1 is a perspective view of an electrical connector, showing my new design;
FIG. 2 is a front view thereof;
FIG. 3 is a rear view thereof;
FIG. 4 is a top view thereof;
FIG. 5 is a bottom view thereof;
FIG. 6 is a left view thereof;
FIG. 7 is a right view thereof; and,
FIG. 8 is another view thereof.

The trademark "ACON" forming part of the claimed design is a registered trademark (Reg. No. **2,157,036**) of Advanced-Connectek Inc. (Taiwan Corporation).

1 Claim, 5 Drawing Sheets



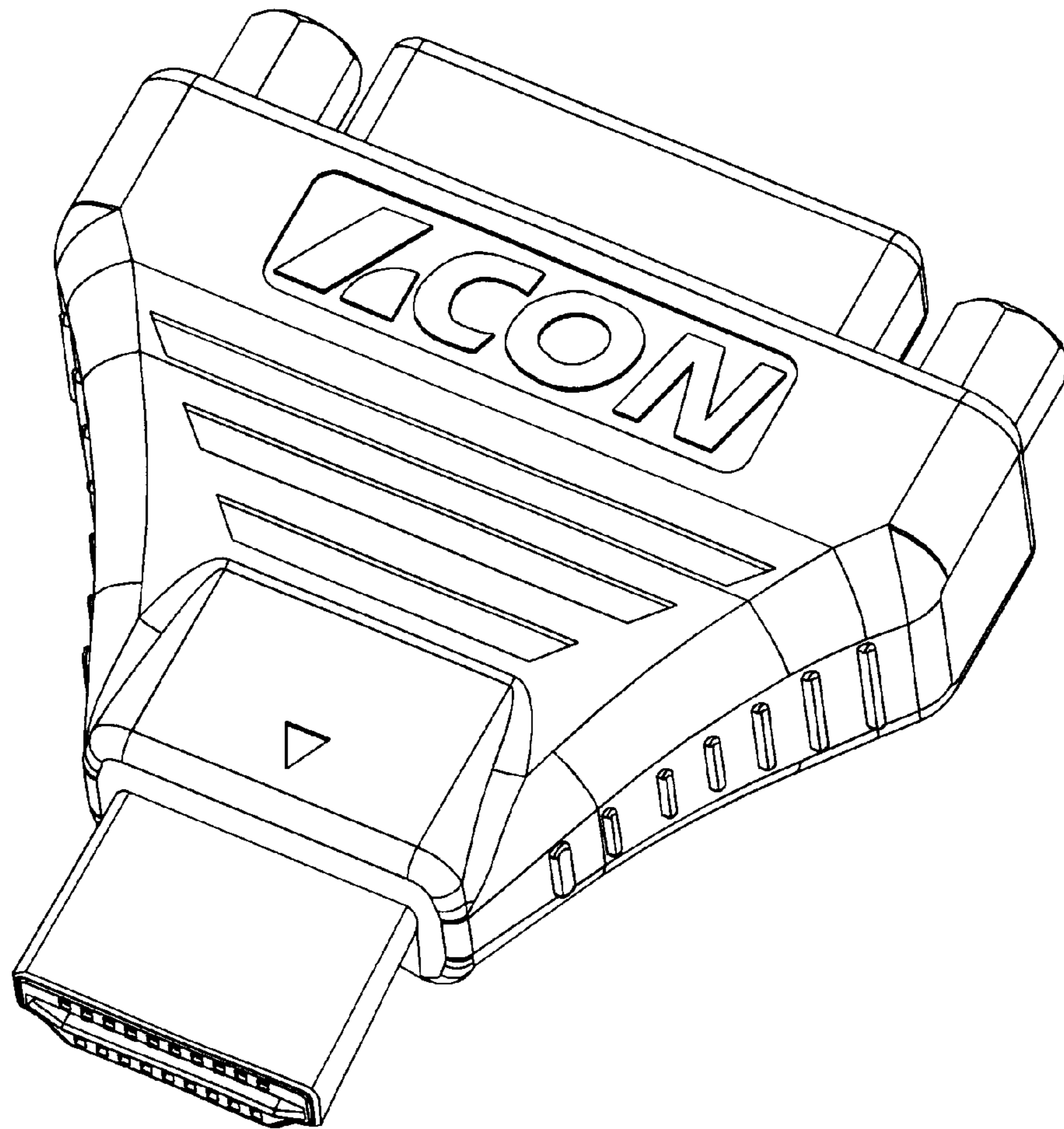


FIG.1

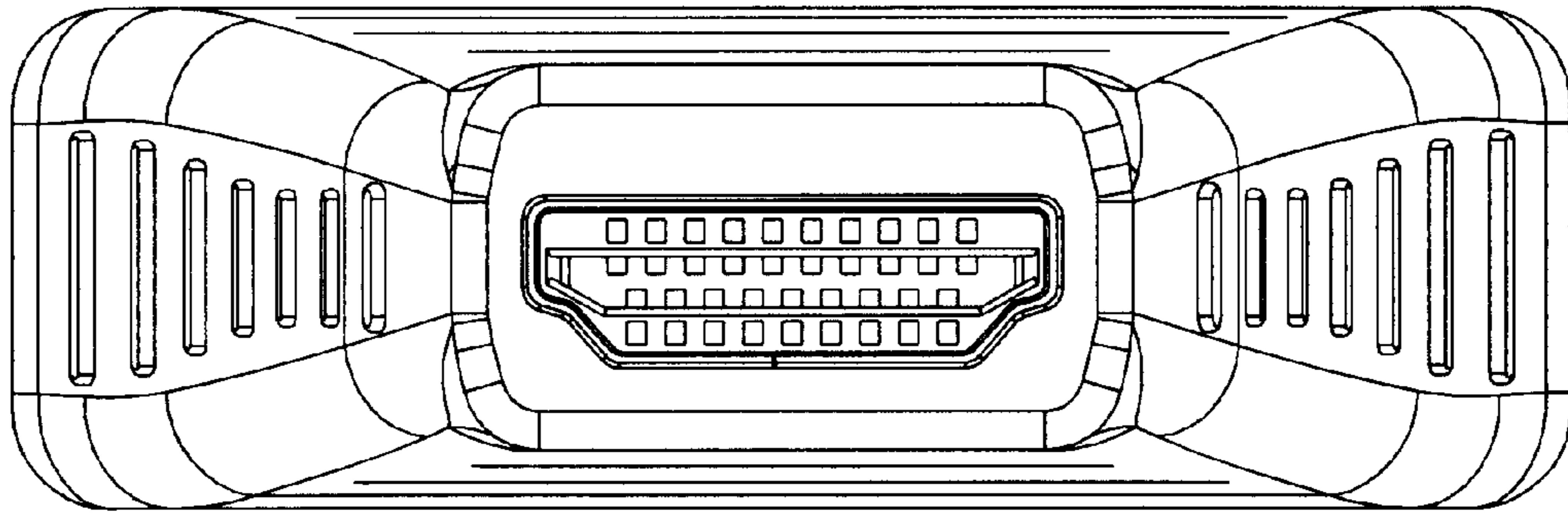


FIG. 2

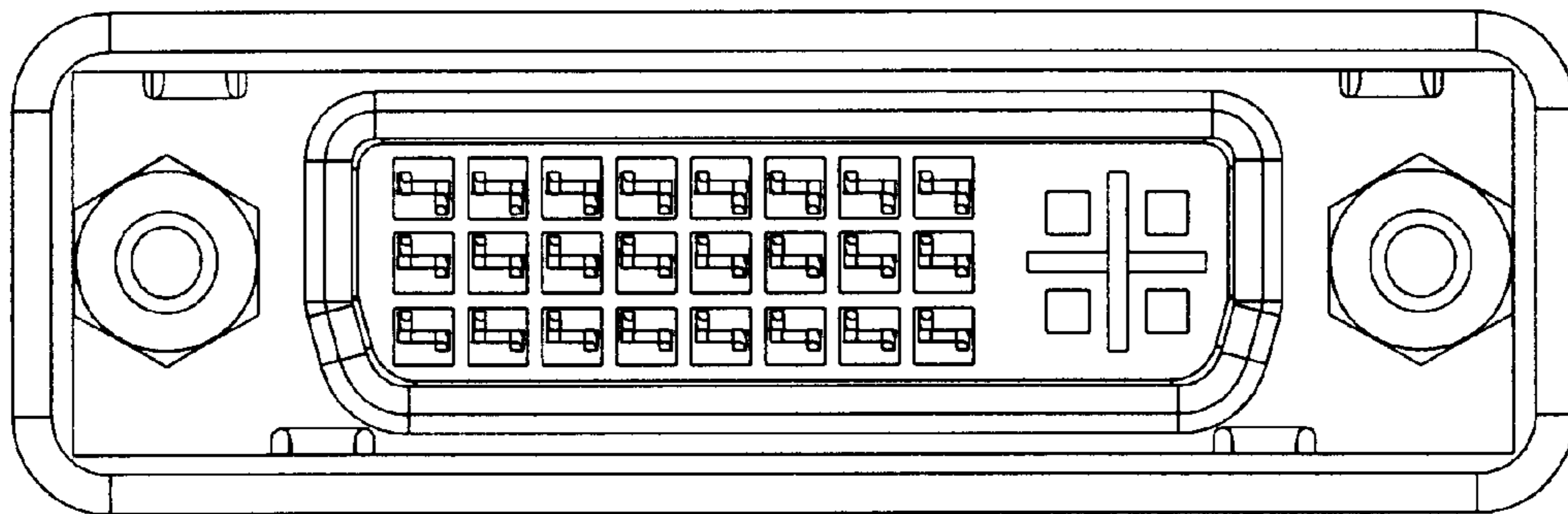


FIG. 3

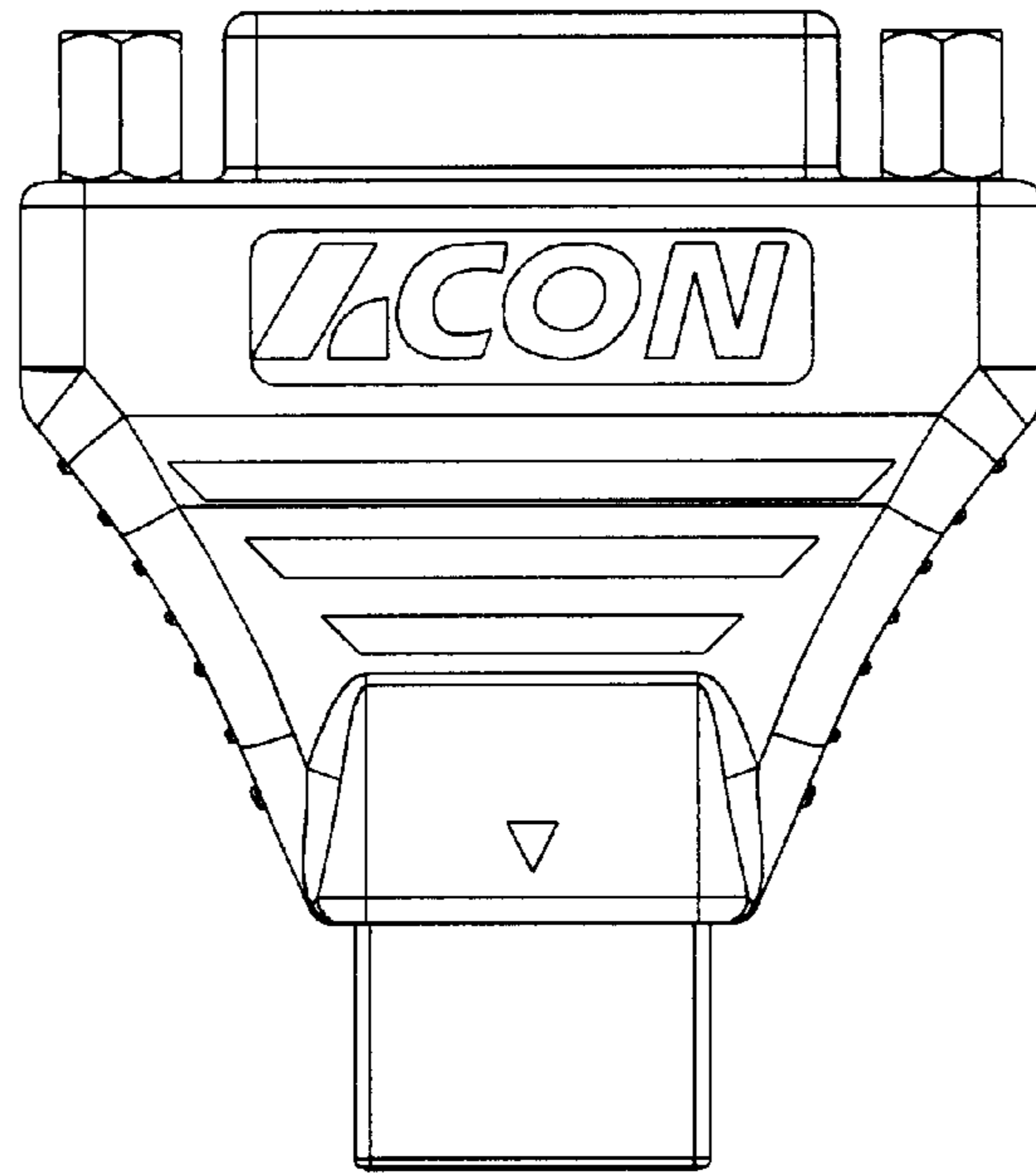


FIG.4

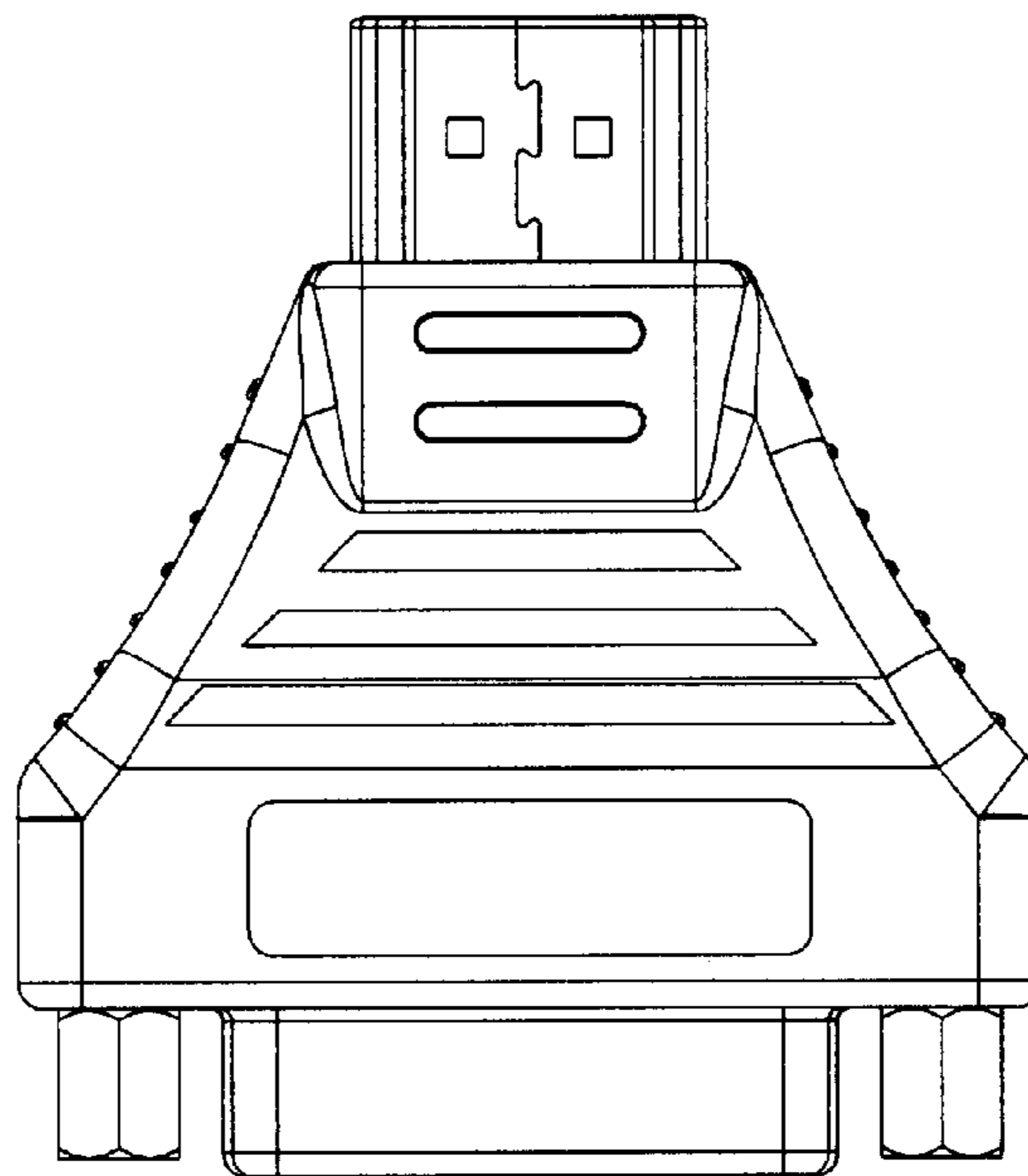


FIG.5

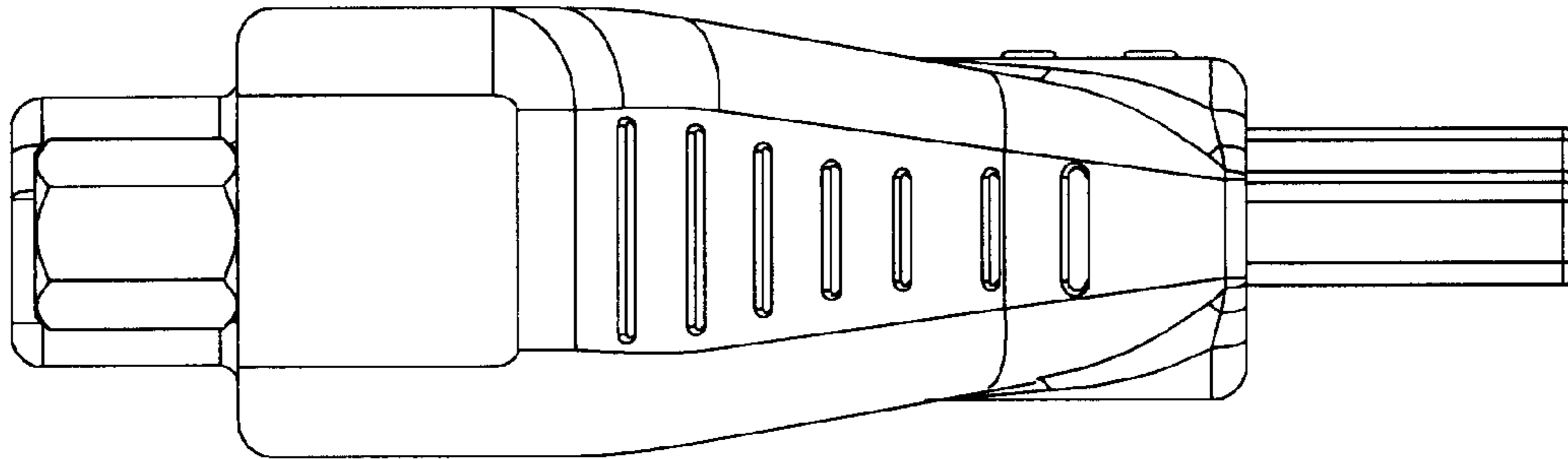


FIG. 6

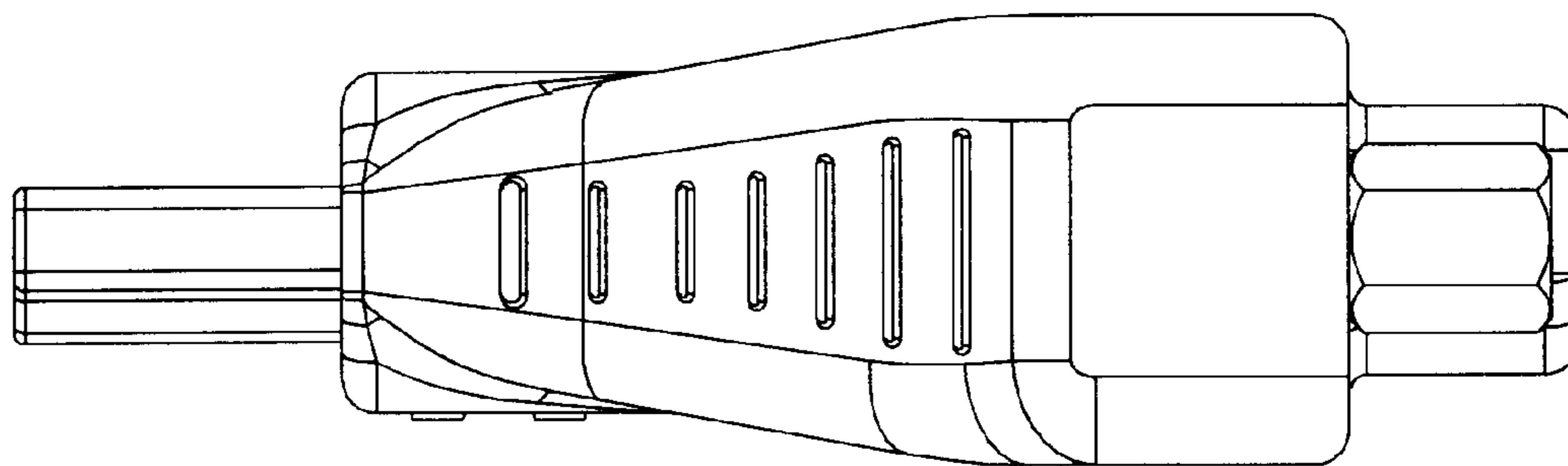


FIG. 7

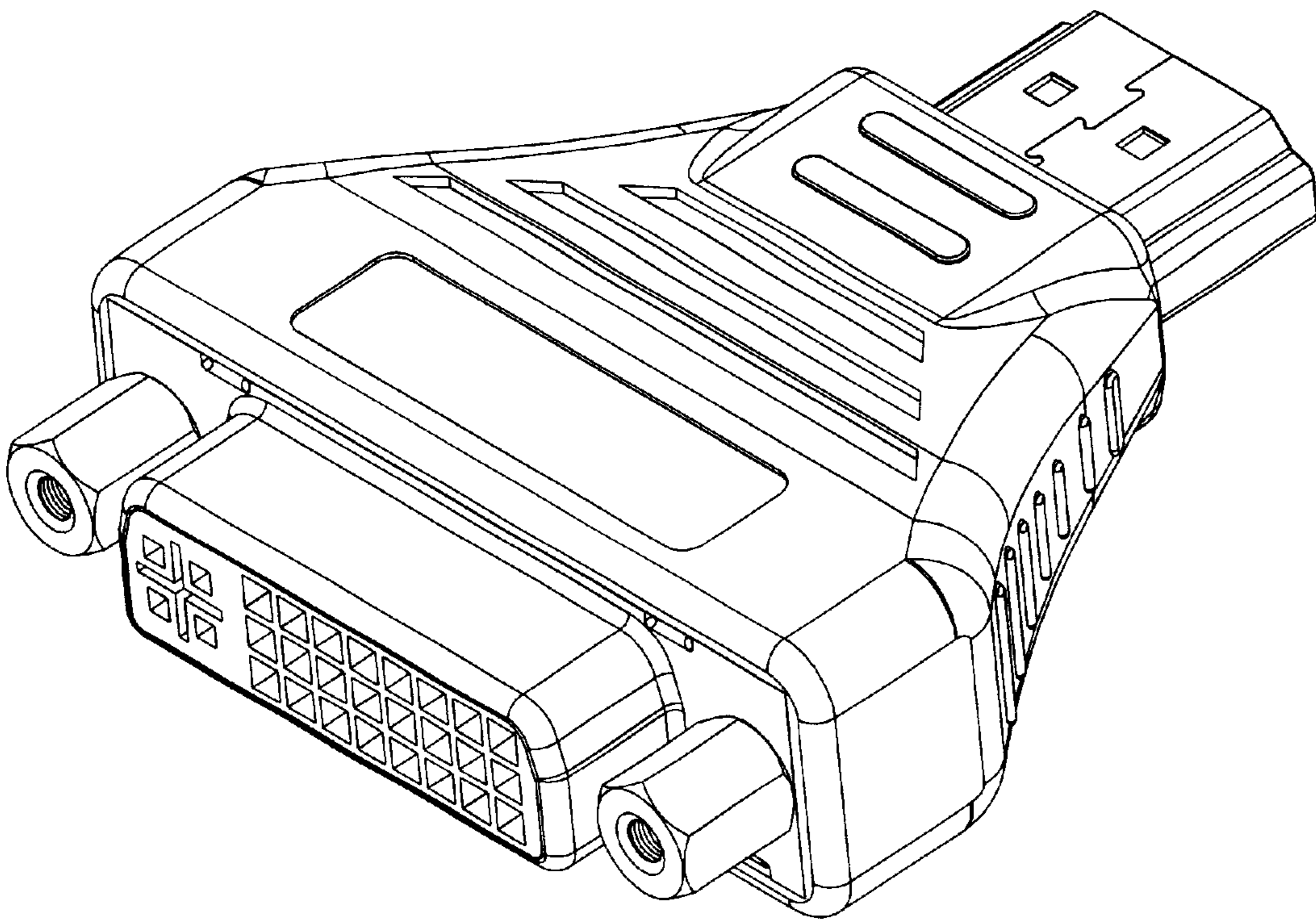


FIG.8