



US00D536305S

(12) **United States Design Patent**  
**Fort et al.**

(10) **Patent No.:** **US D536,305 S**

(45) **Date of Patent:** **\*\* Feb. 6, 2007**

(54) **PORTION OF A GROUND FAULT  
INTERRUPTER**

(75) Inventors: **Tucker H. Fort**, New York, NY (US);  
**Mark B. Greenwald**, Westport, CT  
(US); **Jean Claude Marcou**, Limoges  
(FR); **Jay J. Mendelson**, Hartsdale, NY  
(US); **Gunter A. Gallas**, Woodbury, NY  
(US); **Gregory Moreinis**, Forest Hills,  
NY (US); **Jeffrey J. Ausfeld**, New  
York, NY (US); **Yuliy Rushansky**, Port  
Washington, NY (US)

(73) Assignee: **Cooper Wiring Devices, Inc.**,  
Peachtree City, GA (US)

(\*\*) Term: **14 Years**

(21) Appl. No.: **29/260,158**

(22) Filed: **May 19, 2006**

**Related U.S. Application Data**

(60) Continuation of application No. 29/230,947, filed on May  
26, 2005, now Pat. No. Des. 521,932, which is a division of  
application No. 29/193,494, filed on Nov. 10, 2003, now Pat.  
No. Des. 512,021.

(51) **LOC (8) Cl.** ..... **13-03**

(52) **U.S. Cl.** ..... **D13/139.6**

(58) **Field of Classification Search** .. D13/137.1-137.4,  
D13/139.1-139.8; 174/50-51, 53-55, 58,  
174/66-67

See application file for complete search history.

(56) **References Cited**

**U.S. PATENT DOCUMENTS**

D230,274 S	*	2/1974	Pulos	.....	D13/139.6
D231,466 S	*	4/1974	Pulos	.....	D13/139.6
D269,341 S	*	6/1983	Doyle et al.	.....	D13/139.3
D269,430 S	*	6/1983	Doyle et al.	.....	D13/139.3
D269,510 S	*	6/1983	Doyle et al.	.....	D13/139.3
4,518,945 A		5/1985	Doyle et al.		
4,595,894 A		6/1986	Doyle et al.		
4,802,052 A		1/1989	Brant et al.		

D318,848 S	*	8/1991	Scholl	.....	D13/139.3
5,594,398 A		1/1997	Marcou et al.		
5,933,063 A		8/1999	Keung et al.		
D413,862 S	*	9/1999	Huang et al.	.....	D13/139.3
D419,531 S	*	1/2000	Keung et al.	.....	D13/160
6,040,967 A		3/2000	DiSalvo		
D430,539 S	*	9/2000	Leopold et al.	.....	D13/139.3
D432,990 S		10/2000	Stekelenburg		
6,184,466 B1	*	2/2001	Eder et al.	.....	174/53
D462,660 S	*	9/2002	Huang et al.	.....	D13/139.3

(Continued)

**OTHER PUBLICATIONS**

Installation and Operating Instructions for IMPRESSIONS  
3-Key Incandescent Touch Dimmers, Pass & Seymour, May  
1992.

IMPRESSIONS, Electrical Wiring Devices and Accessories,  
particularly CFCIs, Pass & Seymour, Apr. 1991.

Catalog for LEVITON Wiring Devices for Construction and  
maintenance, Leviton Manufacturing Co., Inc., 2000.

LURTON Residential Lighting Controls Catalog, pp. 70-73,  
Lutron Electronics Co., Inc., 2001.

*Primary Examiner*—Alan P. Douglas

*Assistant Examiner*—Rosemary K. Tarcza

(74) *Attorney, Agent, or Firm*—SAIDMAN DesignLaw  
Group

(57) **CLAIM**

The ornamental design for a portion of a ground fault  
interrupter, as shown and described.

**DESCRIPTION**

FIG. 1 is a front, bottom and right side perspective view of  
the design;

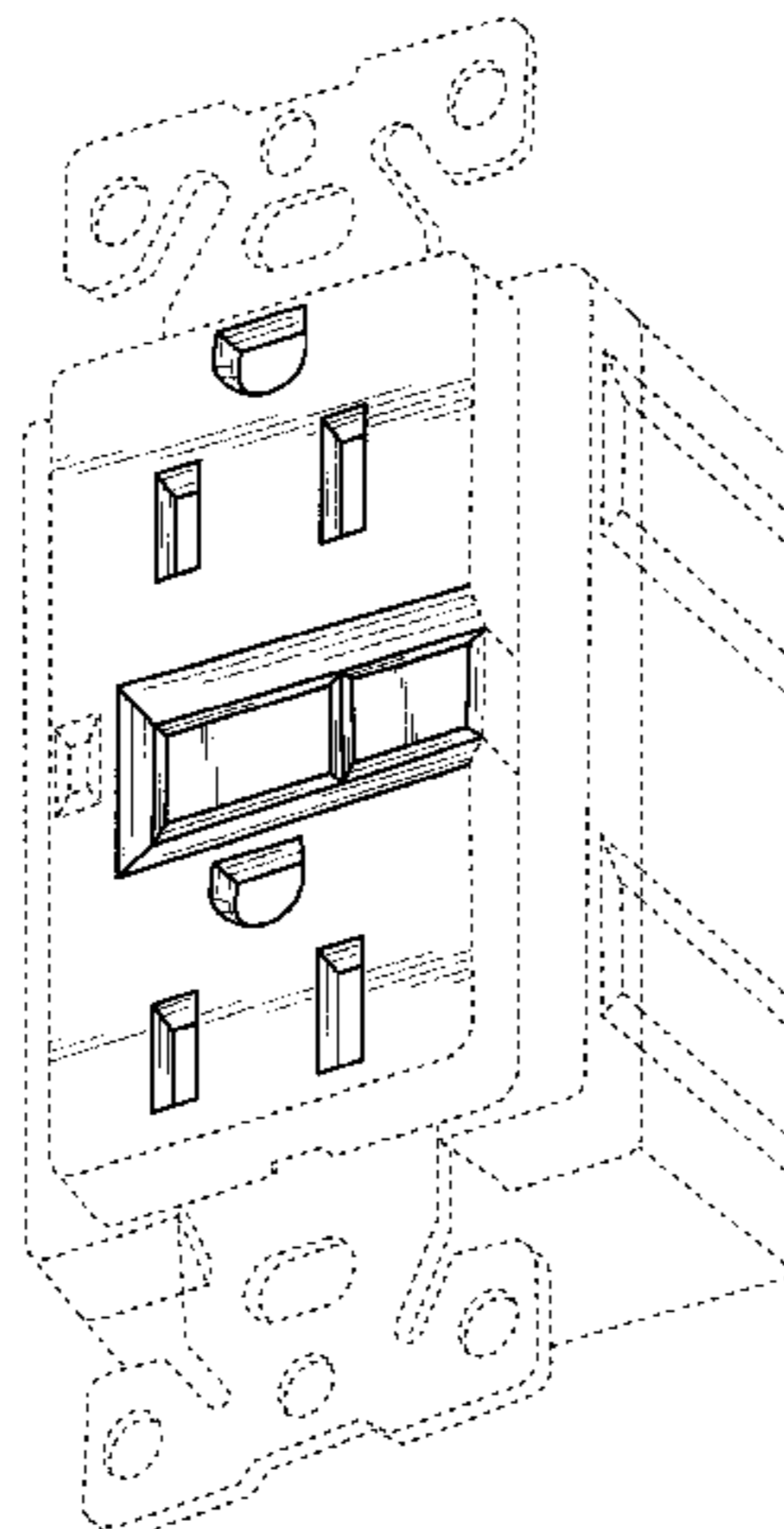
FIG. 2 is a front view thereof;

FIG. 3 is a right side view thereof; and,

FIG. 4 is a front, bottom and right side perspective view of  
an alternative example of the design.

In all of the views, the dotted lines are for environmental  
purposes only and form no part of the claimed design. The  
rear is not part of the claimed design.

**1 Claim, 3 Drawing Sheets**



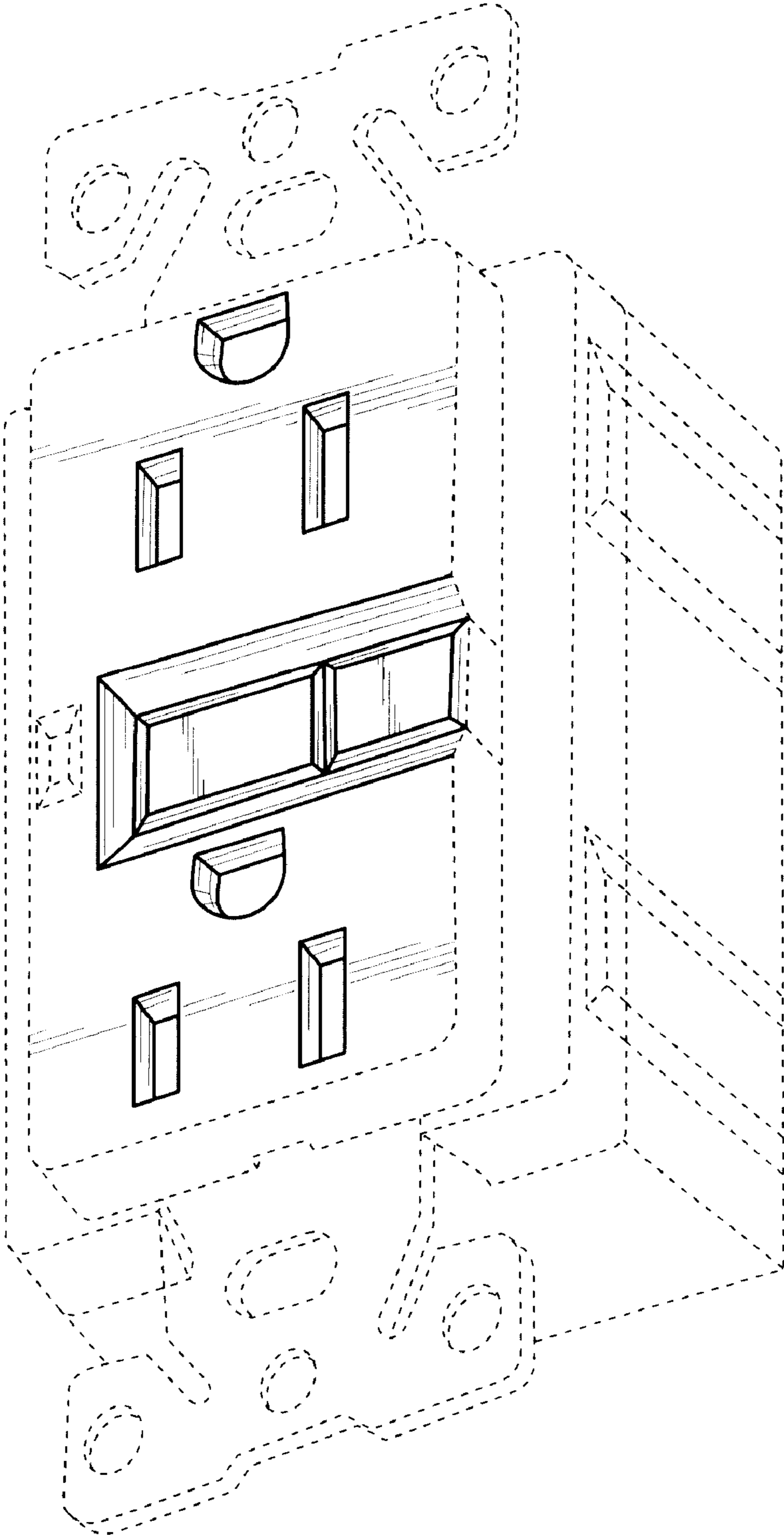
# US D536,305 S

Page 2

---

U.S. PATENT DOCUMENTS			
D462,661 S	9/2002	Owens	
D470,108 S *	2/2003	Daoxian et al. ....	D13/139.3
6,515,564 B2	2/2003	Leopold et al.	
D486,792 S	2/2004	Stoughton	
D494,139 S *	8/2004	Allen, Jr. ....	D13/139.3
D512,021 S	11/2005	Fort et al.	
D515,505 S	2/2006	Lin	
D521,932 S	5/2006	Fort et al.	

\* cited by examiner



*Fig. 1*

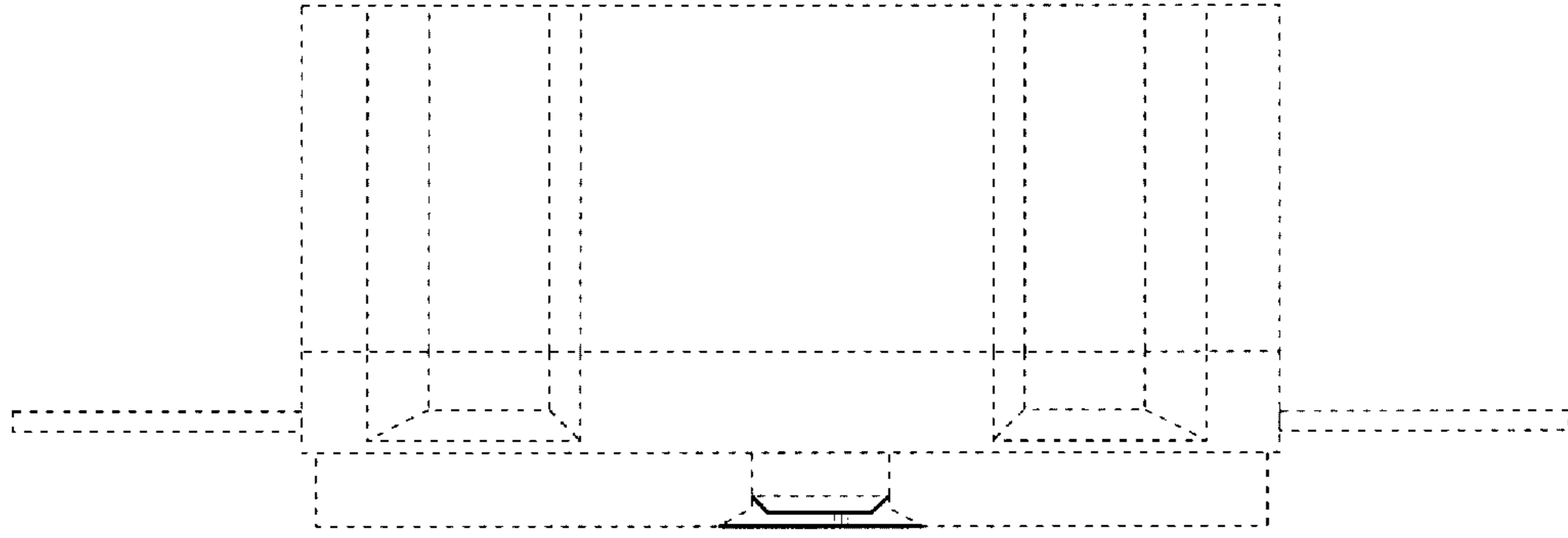


Fig. 3

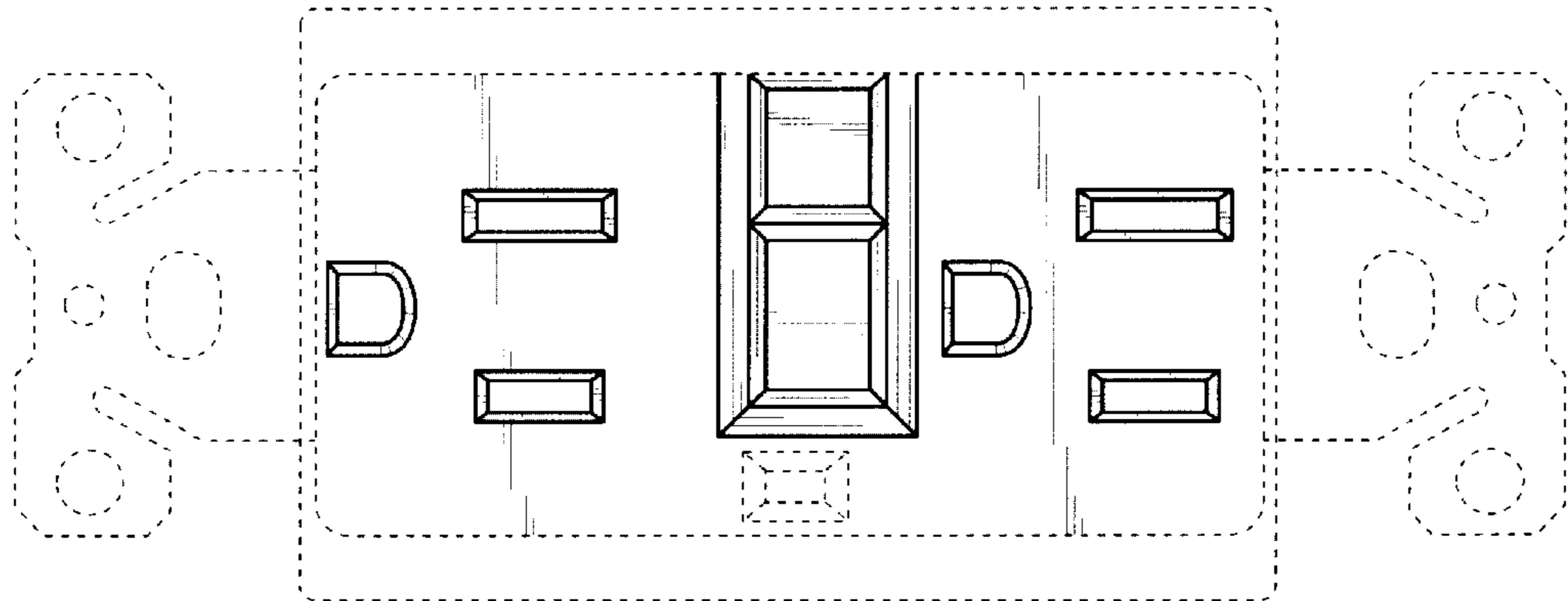
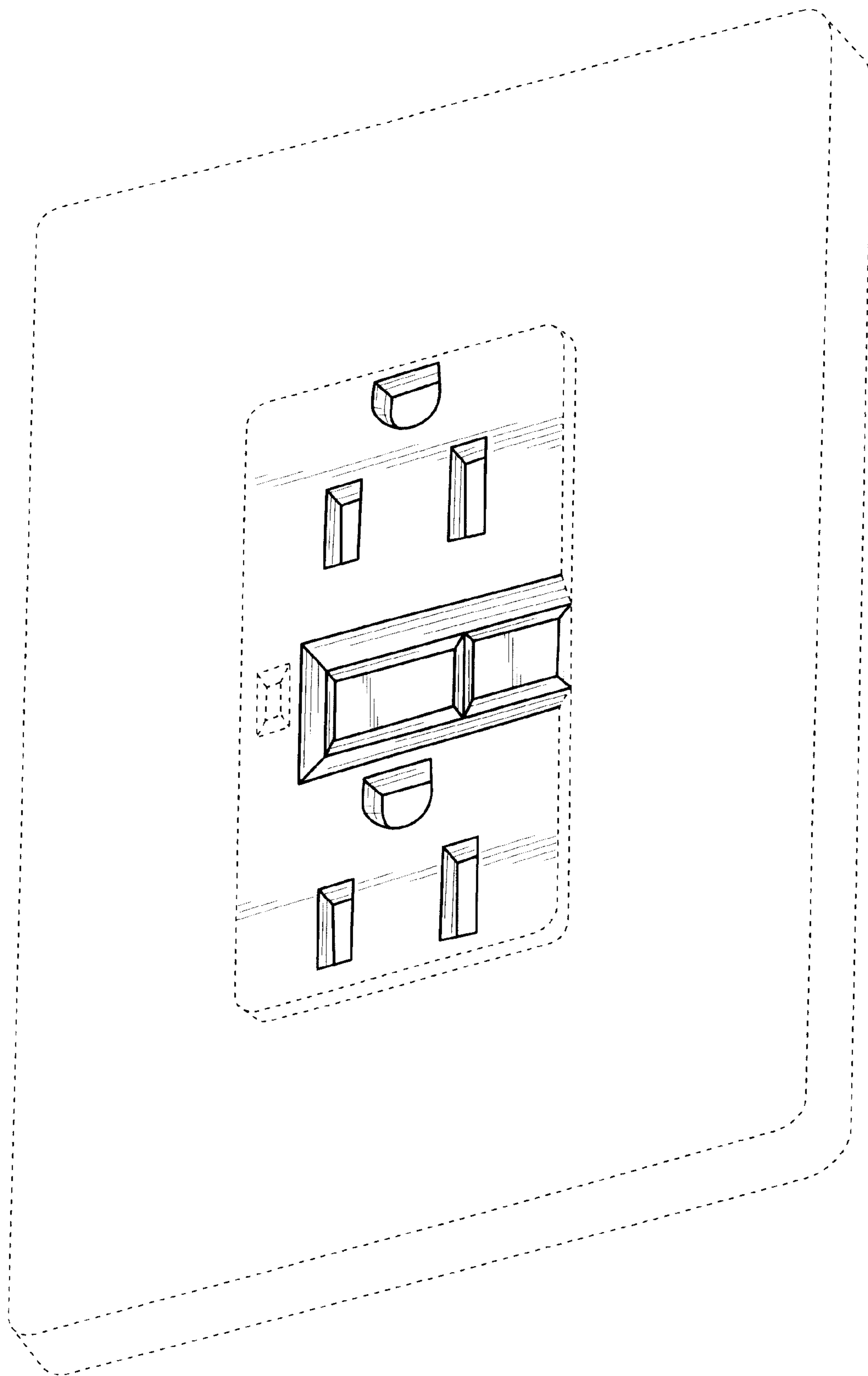


Fig. 2



*Fig. 4*