



US00D536302S

(12) **United States Design Patent**  
**Hayashi et al.**

(10) **Patent No.:** **US D536,302 S**

(45) **Date of Patent:** **\*\* Feb. 6, 2007**

(54) **ELECTRICAL CONNECTOR HOUSING**

(75) Inventors: **Toshiaki Hayashi**, Aichi (JP); **Atsushi Nishida**, Aichi (JP)

(73) Assignees: **Tyco Electronics AMP K.K.**, Kanagawa-Ken (JP); **Toyota Jidosha Kabushiki Kaisha**, Aichi-Ken (JP)

(\*\*) Term: **14 Years**

(21) Appl. No.: **29/221,300**

(22) Filed: **Jan. 13, 2005**

(30) **Foreign Application Priority Data**

Jul. 16, 2004 (JP) ..... 2004-021596

(51) **LOC (8) Cl.** ..... **13-03**

(52) **U.S. Cl.** ..... **D13/133**

(58) **Field of Classification Search** ..... D13/133-134, D13/146-147, 154, 149, 184, 199; 439/353, 439/488, 586, 620, 682, 685, 752

See application file for complete search history.

(56) **References Cited**

**U.S. PATENT DOCUMENTS**

- 4,255,007 A \* 3/1981 Michaels et al. .... 439/332
- D317,289 S \* 6/1991 Fukuda et al. .... D13/133
- D324,373 S \* 3/1992 Kondo et al. .... D13/134
- D360,616 S \* 7/1995 Sawada et al. .... D13/133
- D387,730 S \* 12/1997 McCarthy ..... D13/133
- D388,052 S \* 12/1997 Lundback ..... D13/133
- 6,394,856 B1 \* 5/2002 Wertz ..... 439/681
- D506,440 S \* 6/2005 Conway et al. .... D13/133

6,976,878 B2 \* 12/2005 Shindo ..... 439/620.01  
2002/0025708 A1 \* 2/2002 Wakui et al. .... 439/188

\* cited by examiner

*Primary Examiner*—Prabhakar Deshmukh

*Assistant Examiner*—Daniel Bui

(74) *Attorney, Agent, or Firm*—Barley Snyder LLC

(57) **CLAIM**

The ornamental design for an electrical connector housing, as shown and described.

**DESCRIPTION**

FIG. 1 is a front elevation view of an electrical connector housing, showing our new design;

FIG. 2 is a back elevation view thereof;

FIG. 3 is a top plan view thereof;

FIG. 4 is a bottom plan view thereof;

FIG. 5 is a left side elevation view thereof;

FIG. 6 is a right side elevation view thereof;

FIG. 7 is a cross-sectional view thereof, taken along line 7—7 in FIG. 1;

FIG. 8 is a cross-sectional view thereof, taken along line 8—8 in FIG. 1;

FIG. 9 is a top, front perspective view thereof;

FIG. 10 is a bottom, front perspective view thereof;

FIG. 11 is a top, back perspective view thereof;

FIG. 12 is a bottom, back perspective view thereof;

FIG. 13 is a bottom plan view thereof; in a retaining position; and,

FIG. 14 is a right side elevation view thereof; in a retaining position.

**1 Claim, 7 Drawing Sheets**

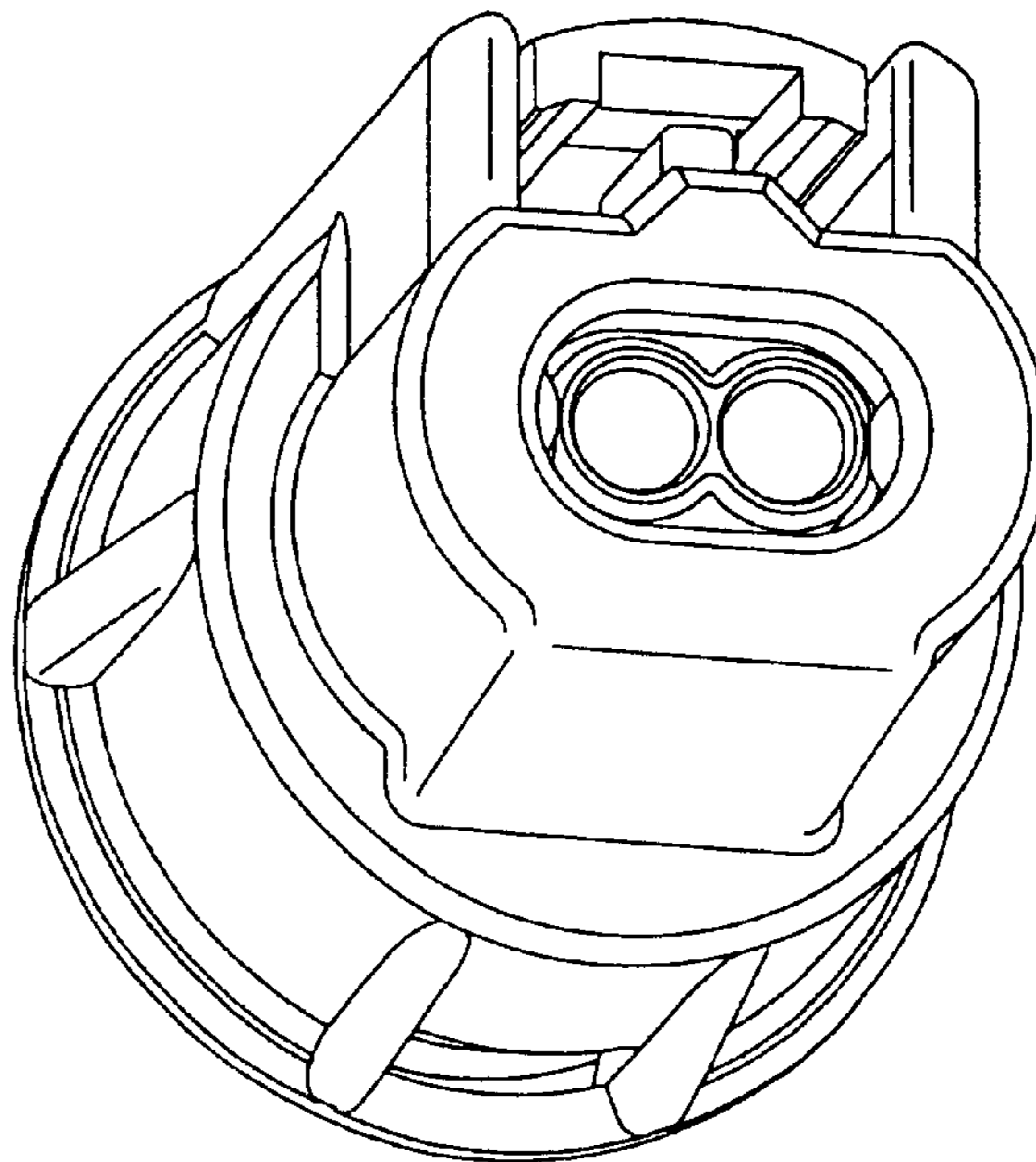
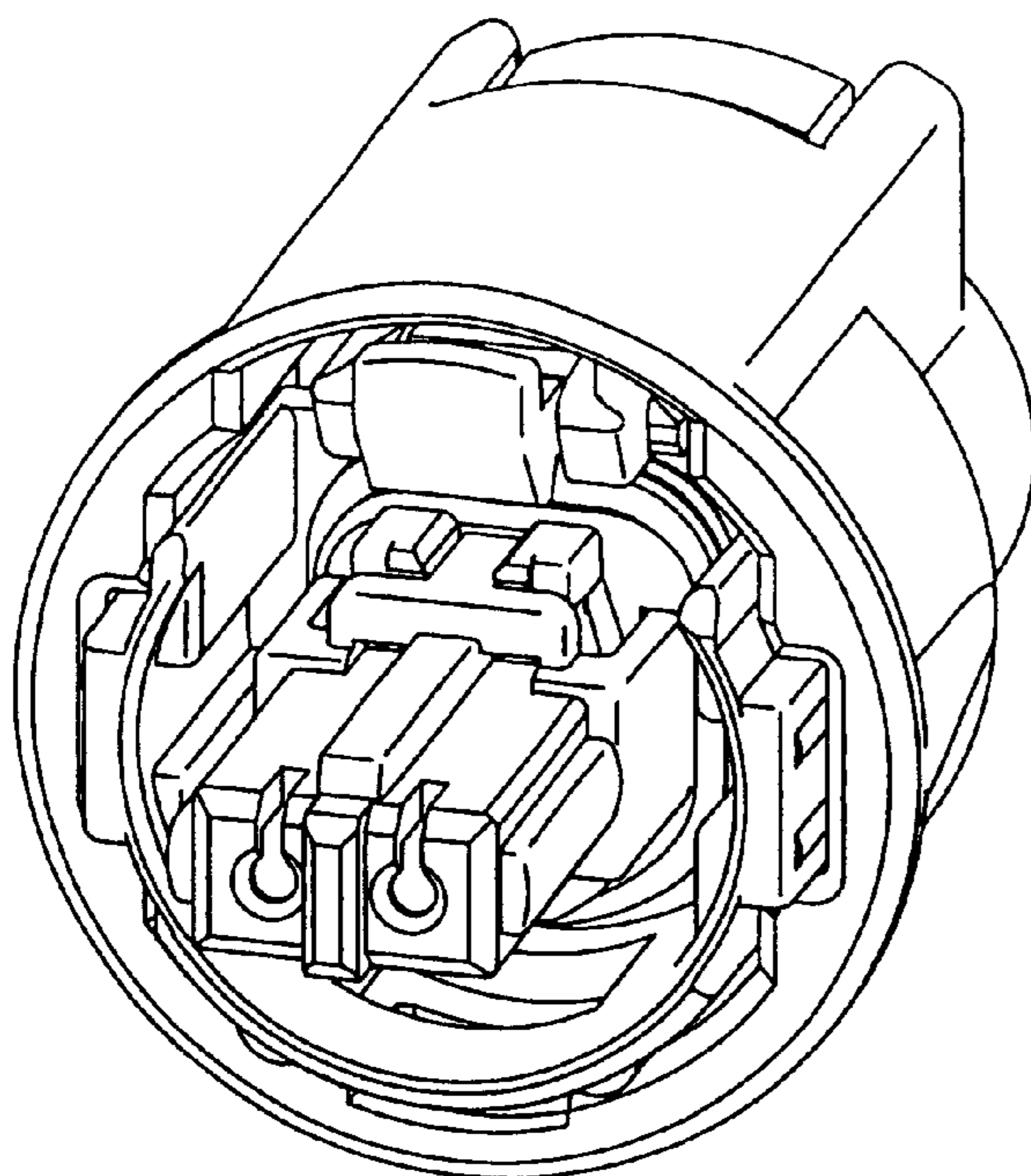


FIG. 1

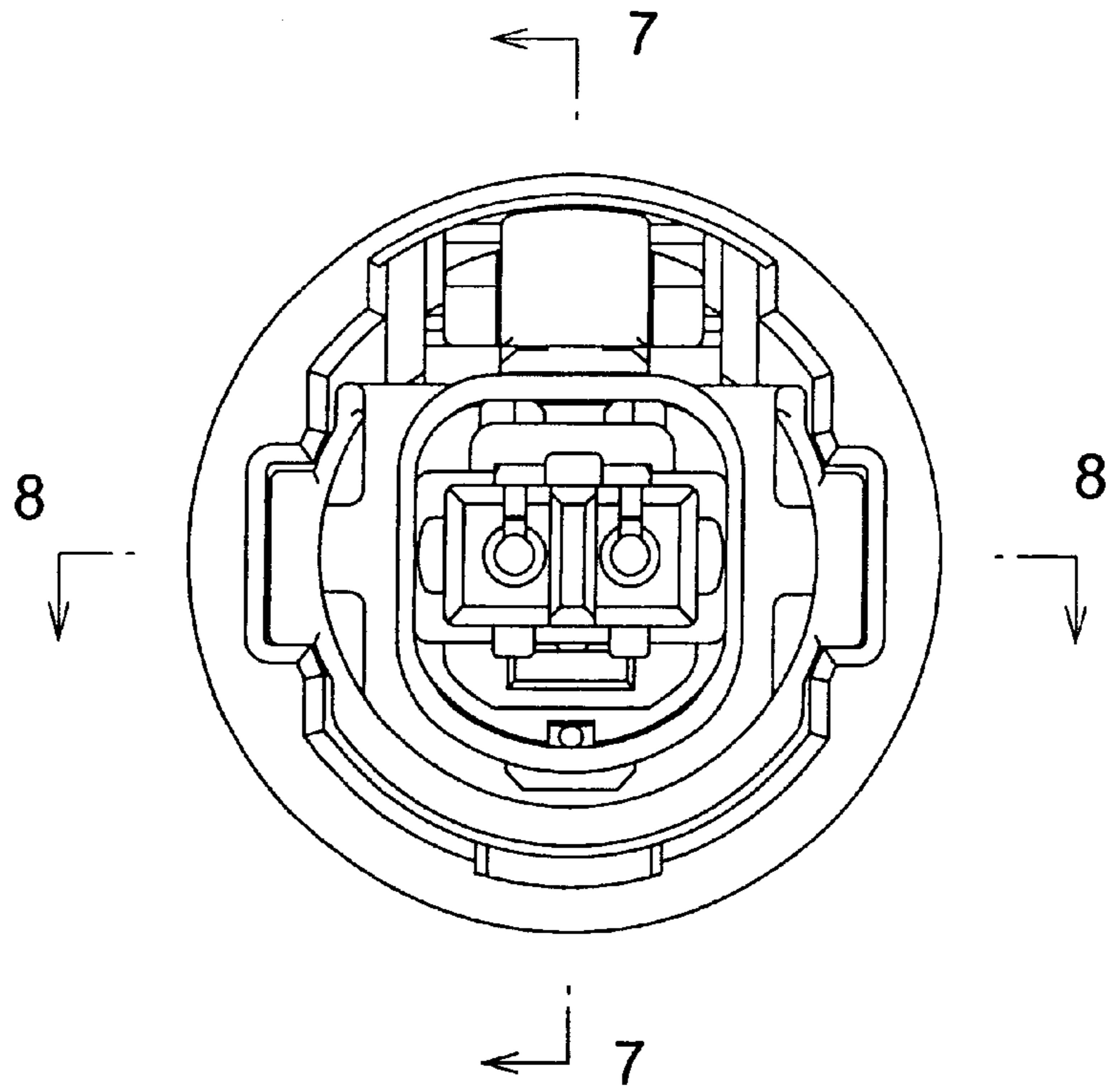


FIG. 2

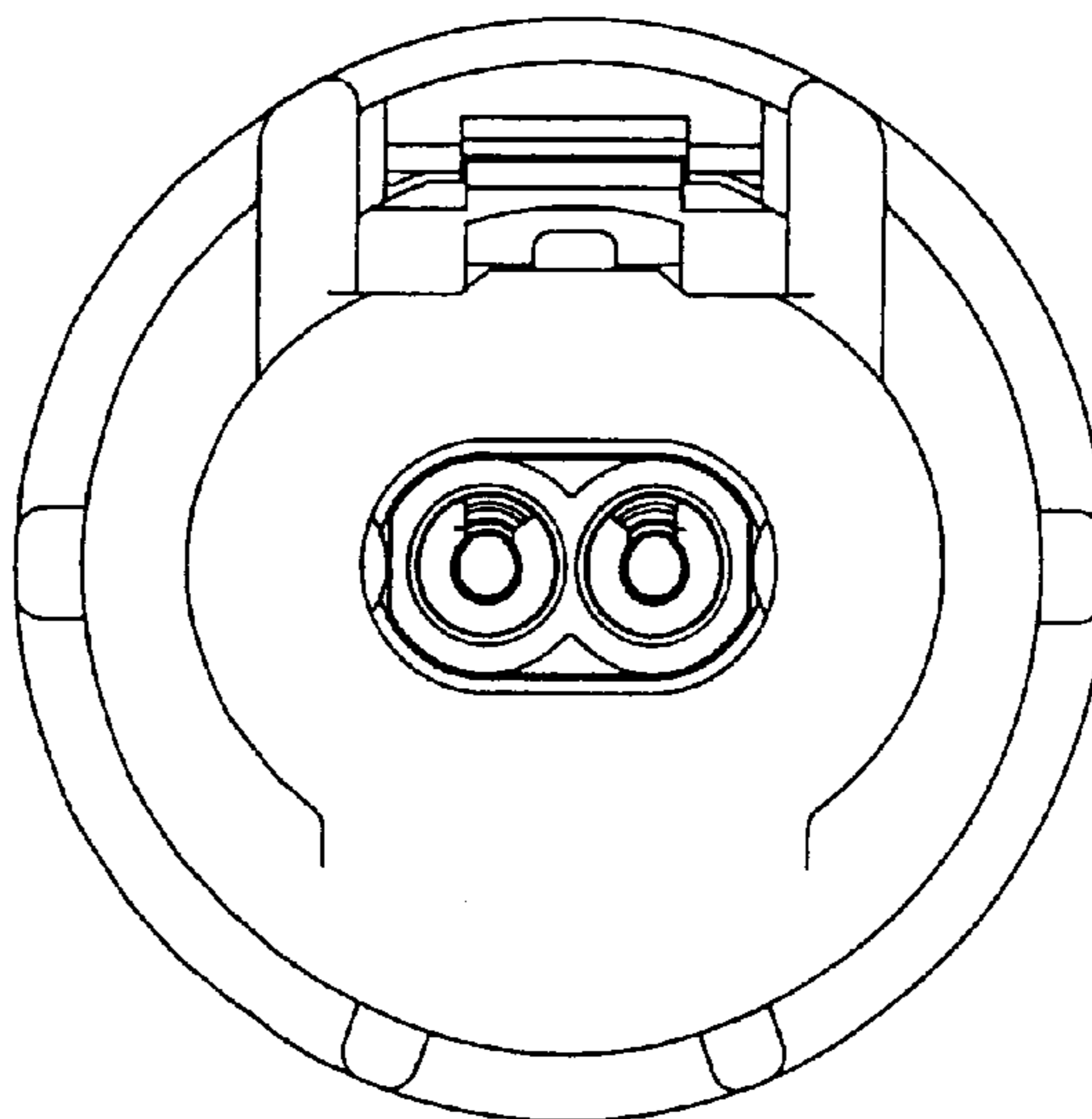


FIG. 3

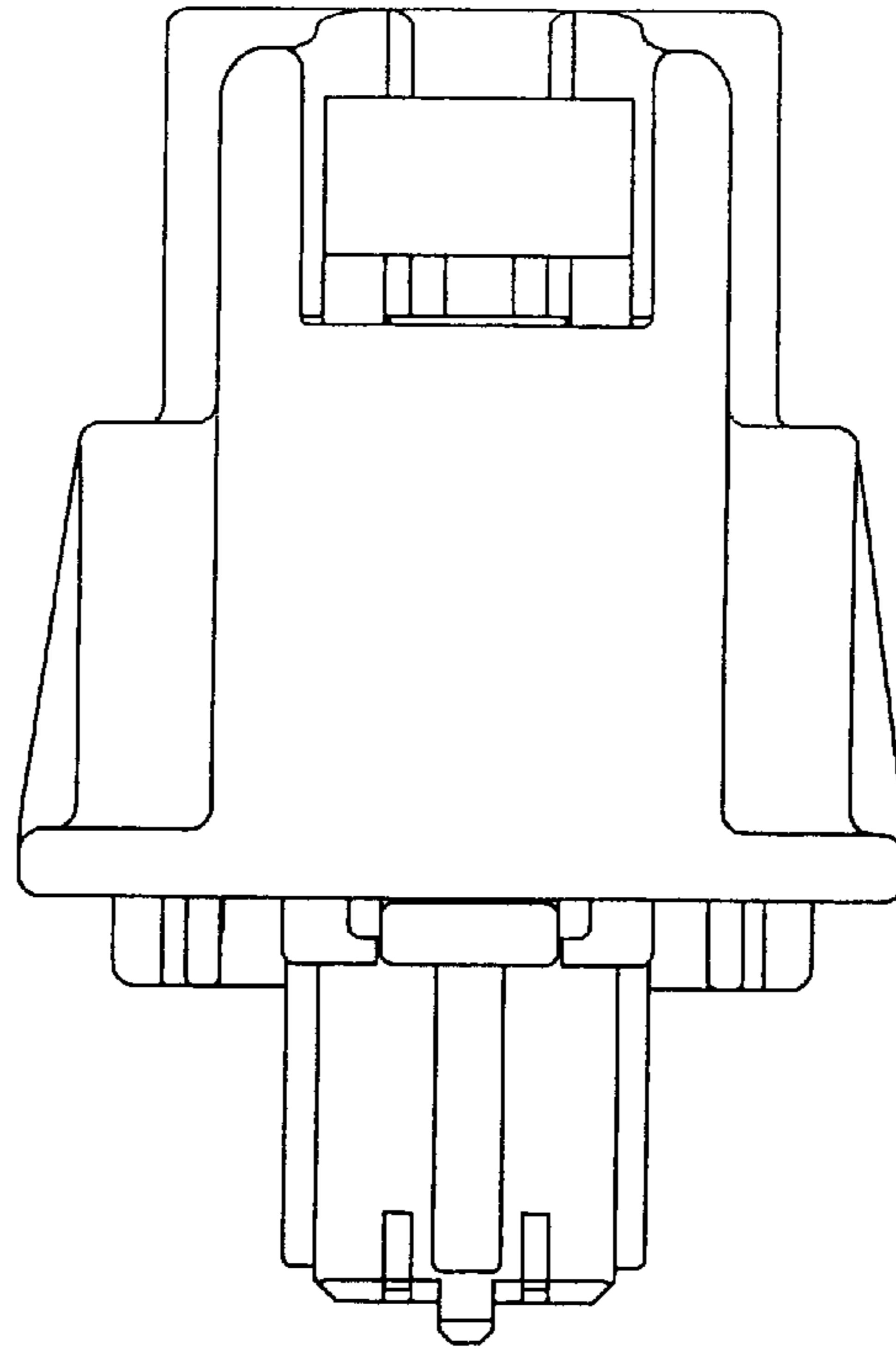


FIG. 4

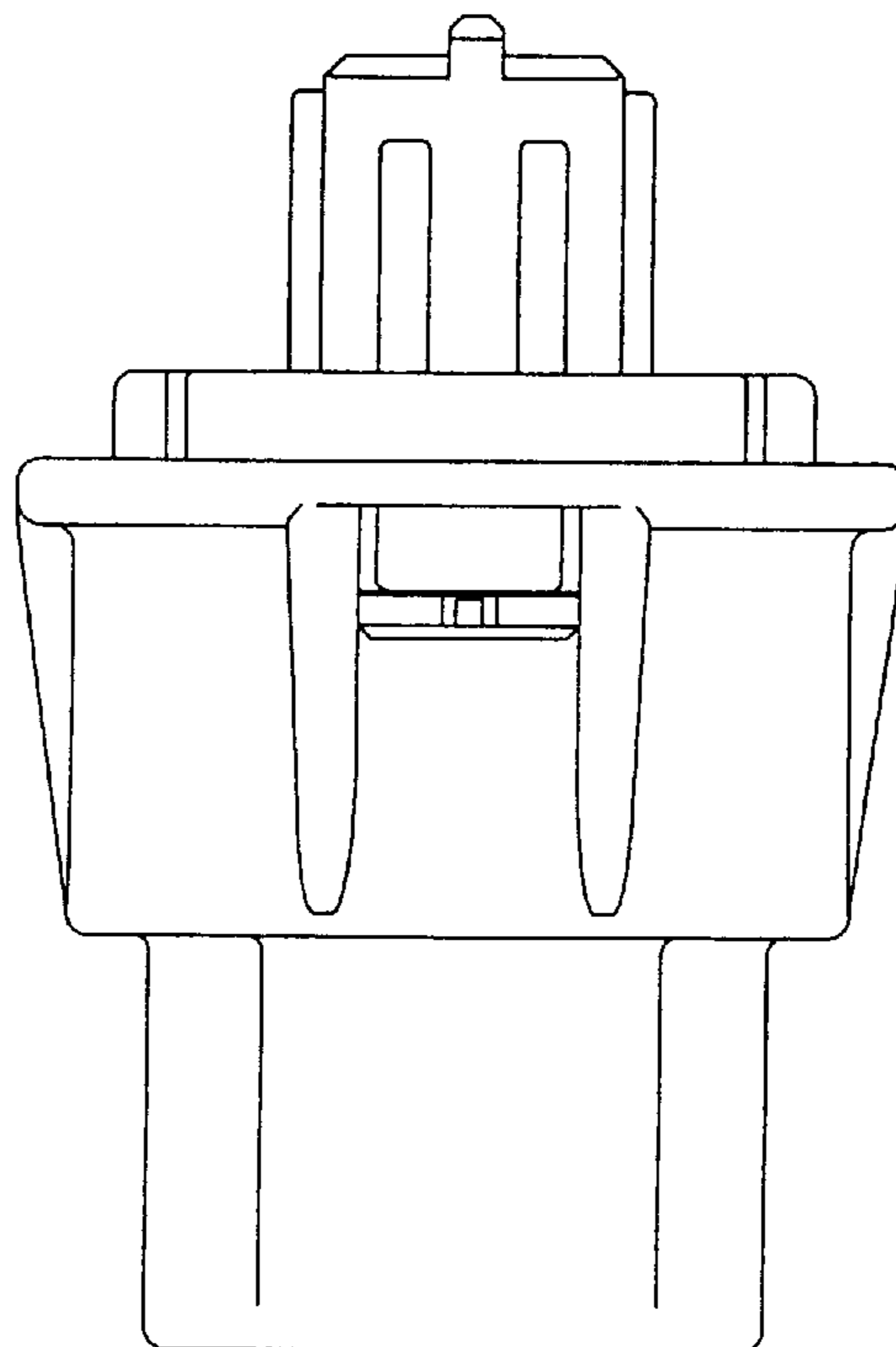


FIG. 5

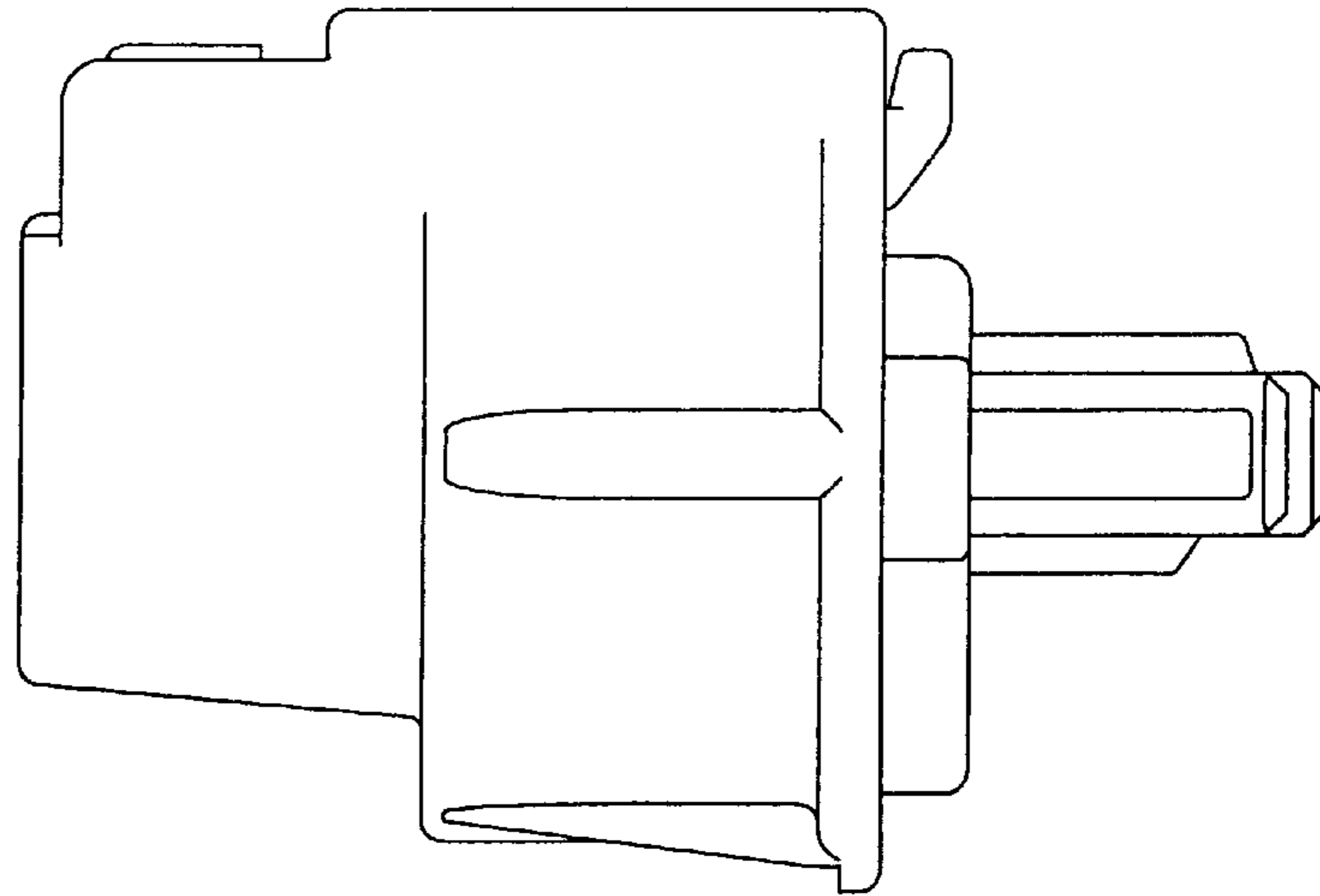


FIG. 6

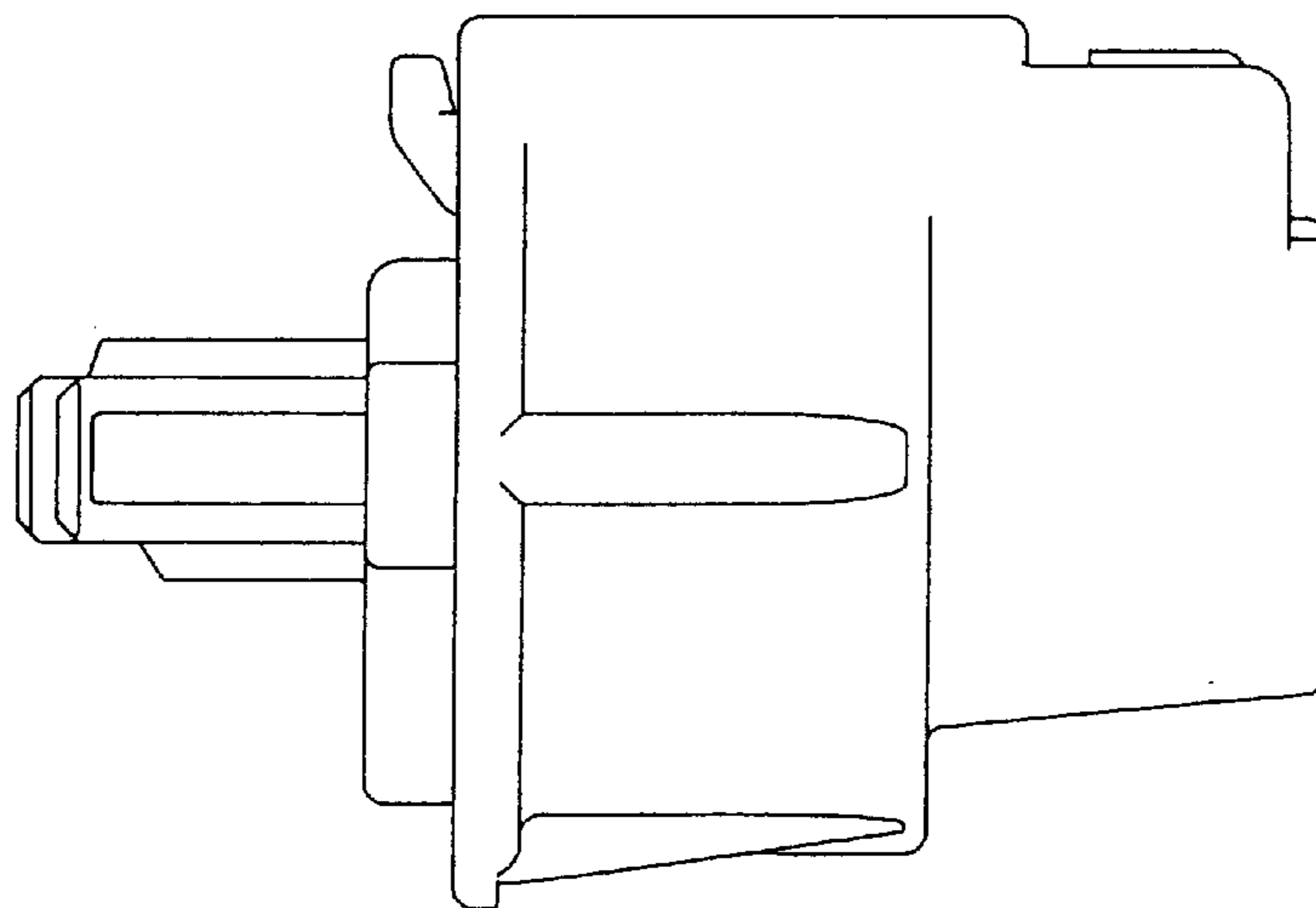


FIG. 7

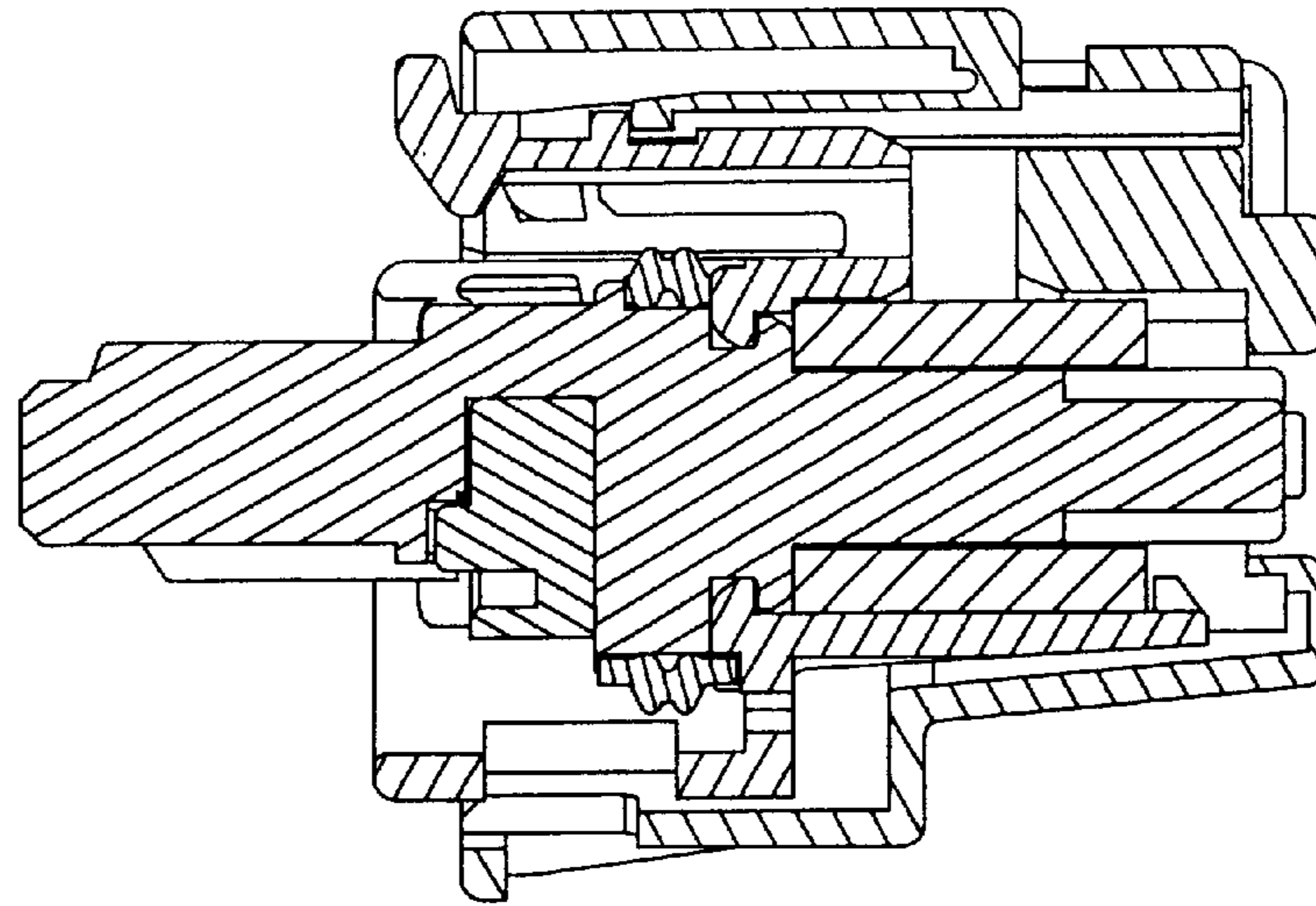


FIG. 8

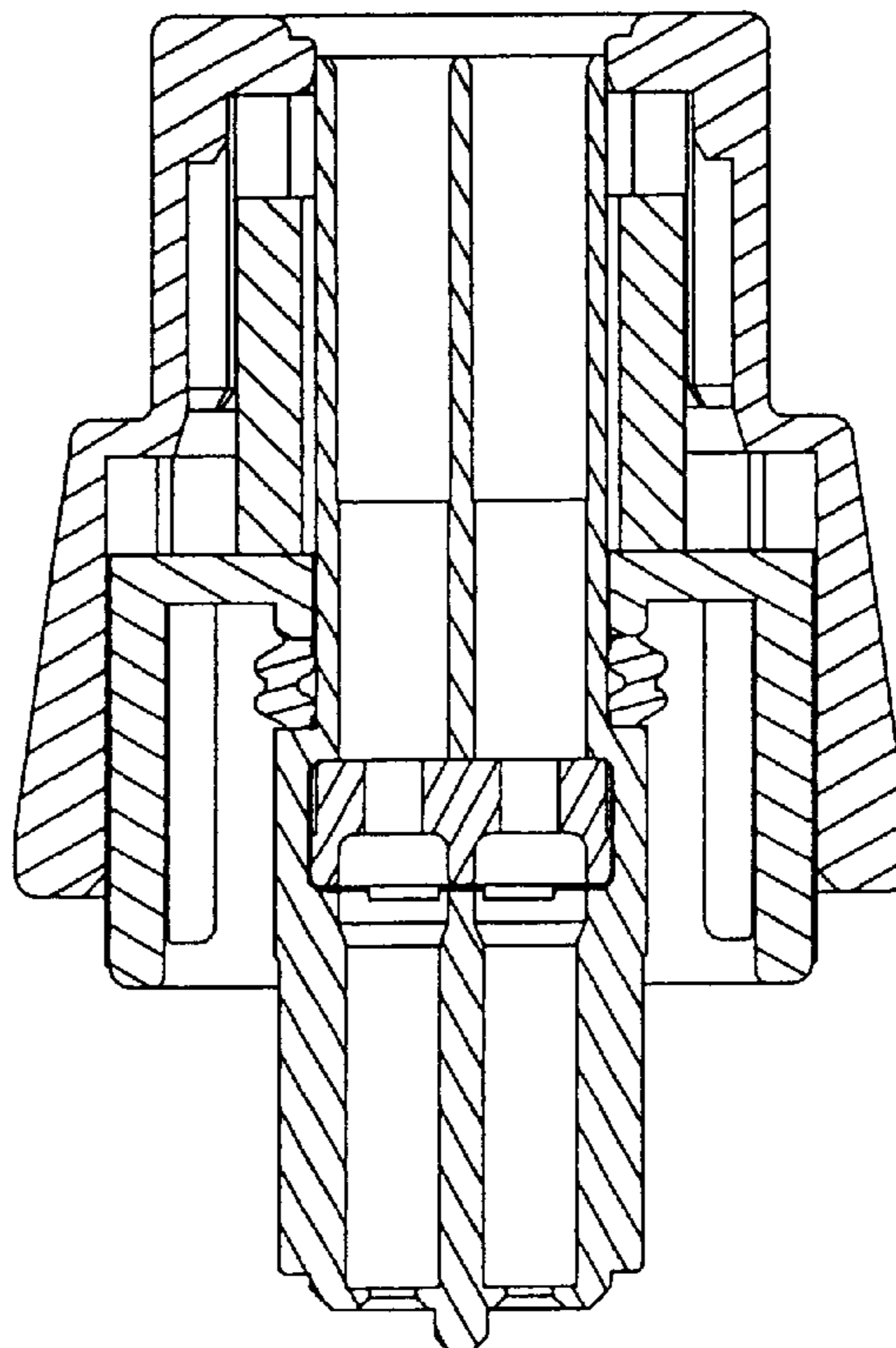


FIG. 9

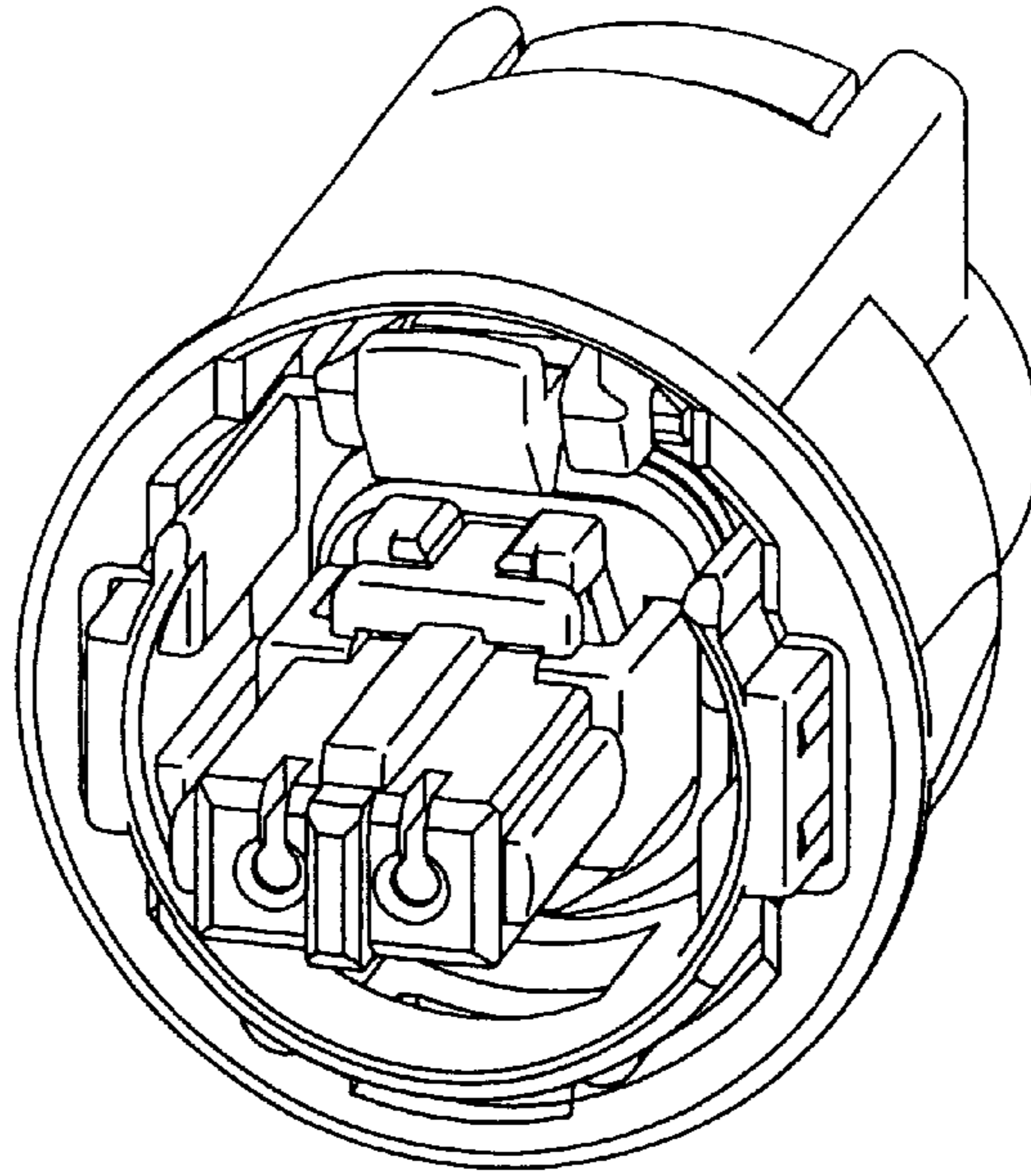


FIG. 10

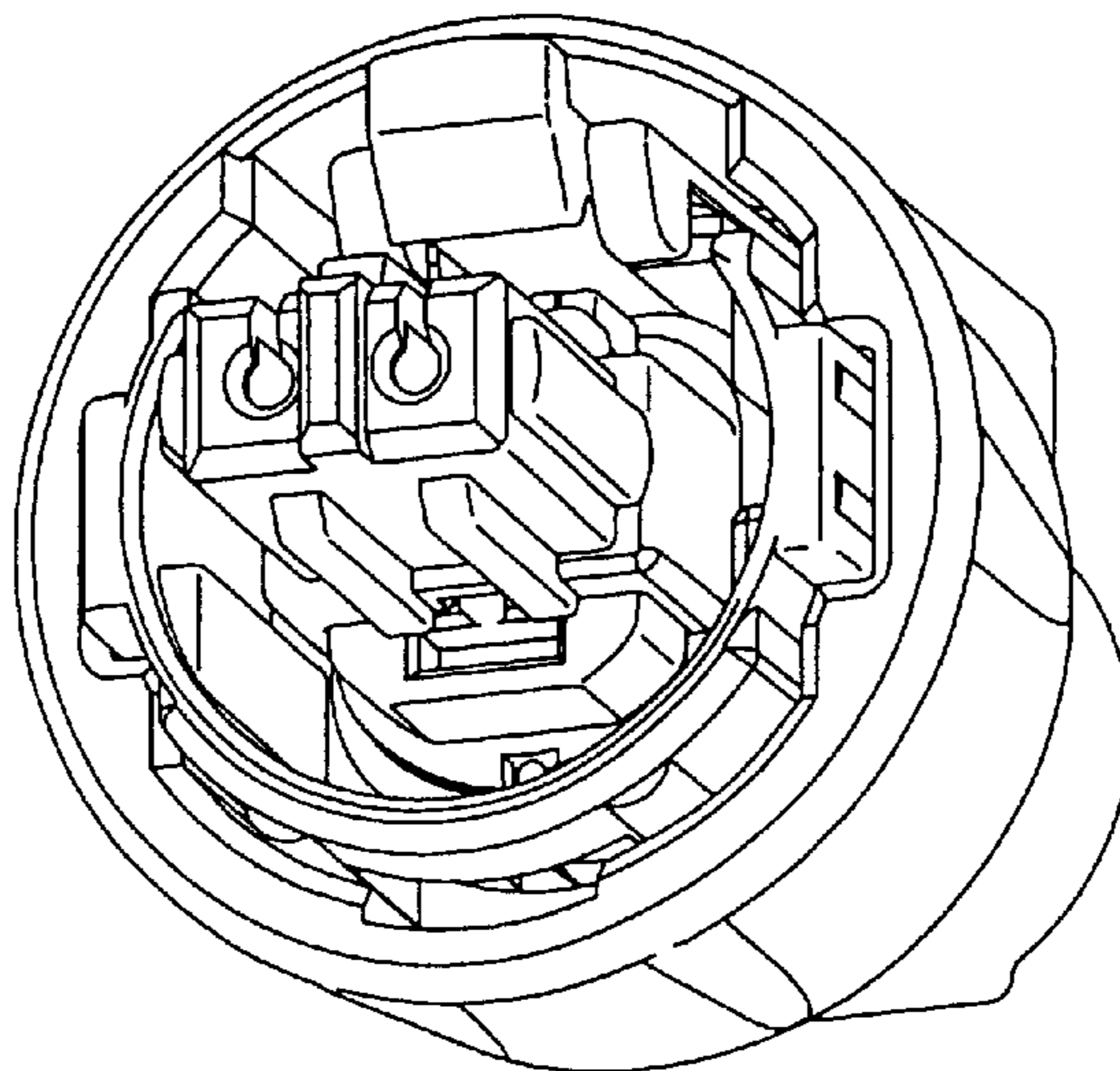


FIG. 11

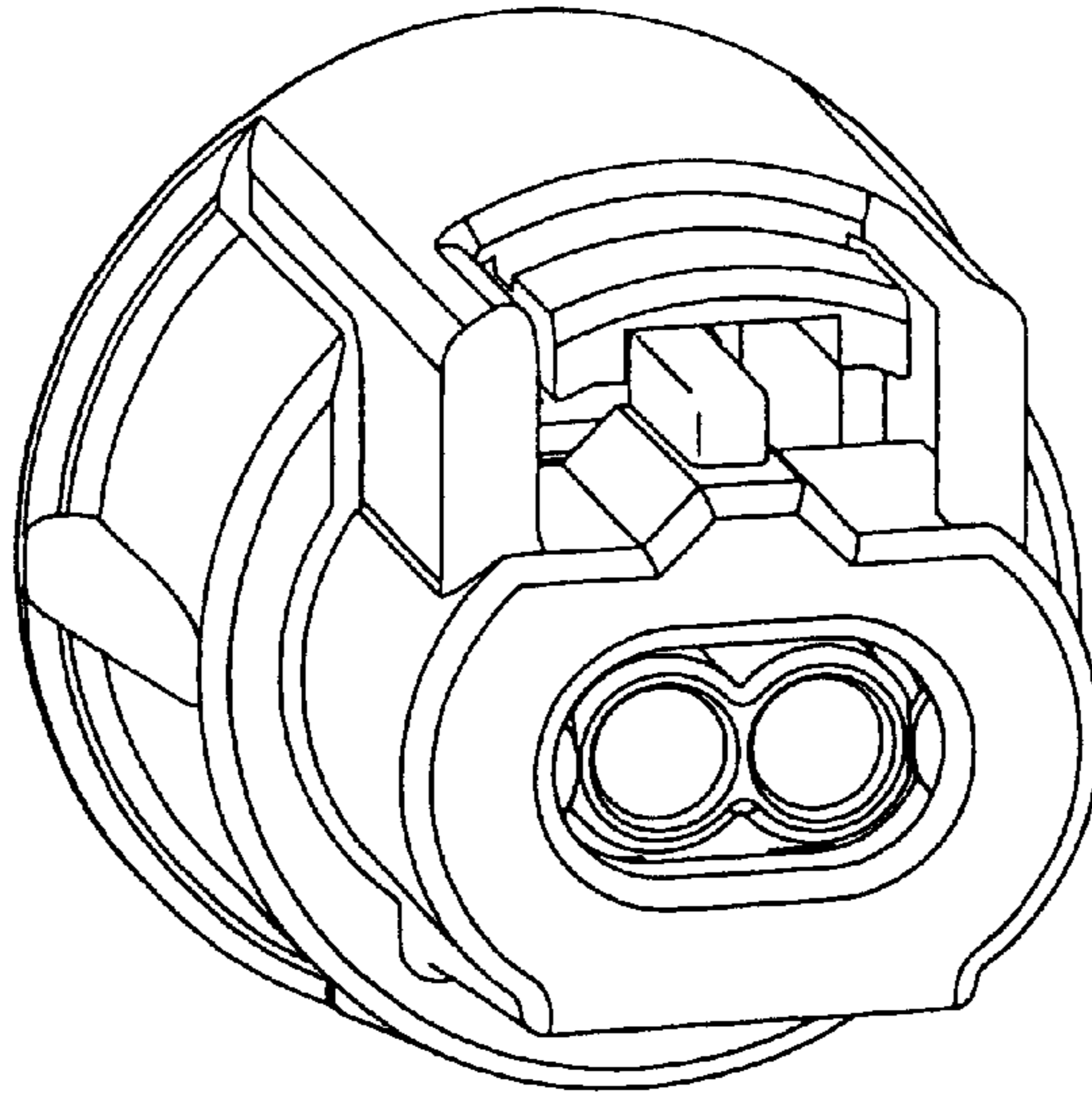


FIG. 12

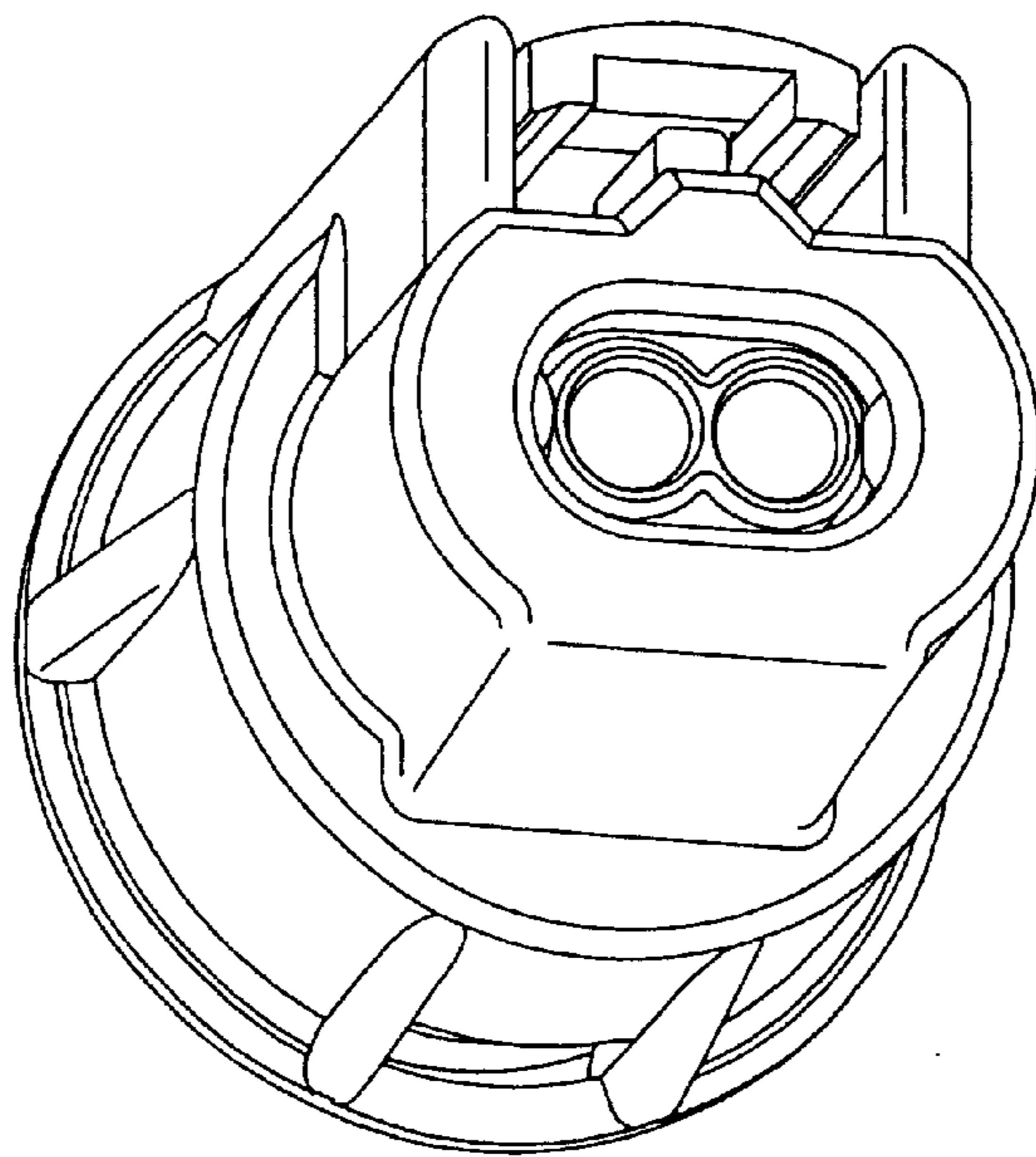


FIG. 13

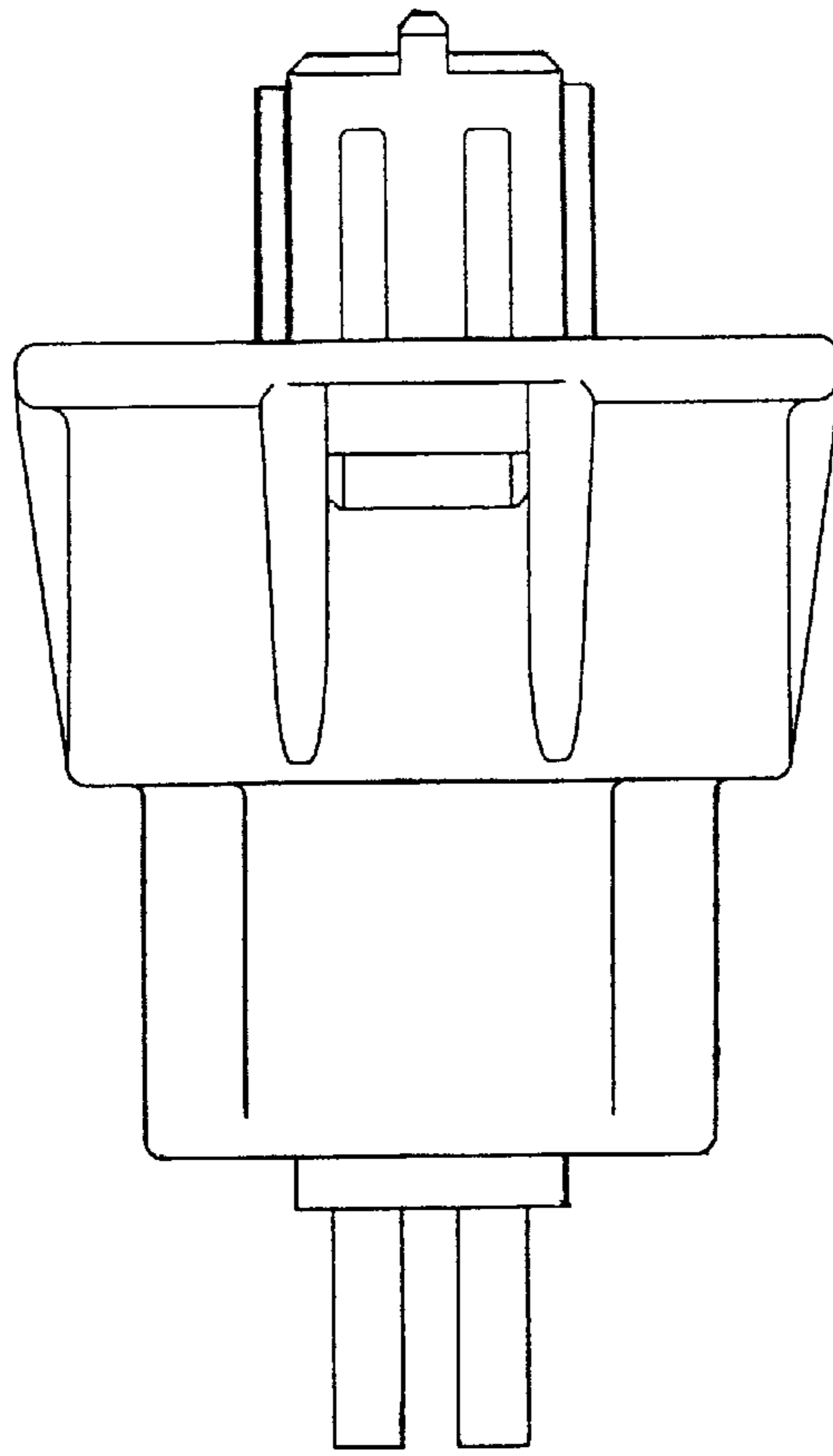


FIG. 14

