



US00D536300S

(12) **United States Design Patent**  
**Kang et al.**

(10) **Patent No.:** **US D536,300 S**

(45) **Date of Patent:** **\*\* Feb. 6, 2007**

(54) **BATTERY CHARGER**

(75) Inventors: **Donwoong Kang**, Camillus, NY (US);  
**Scott W. Osiecki**, Skaneateles, NY  
(US)

(73) Assignee: **Eveready Battery Company, Inc.**, St.  
Louis, MO (US)

(\*\*) **Term:** **14 Years**

(21) **Appl. No.:** **29/255,437**

(22) **Filed:** **Mar. 8, 2006**

(51) **LOC (8) Cl.** ..... **13-02**

(52) **U.S. Cl.** ..... **D13/107**

(58) **Field of Classification Search** ..... D13/107-110,  
D13/118-119, 184; D14/251, 253, 432, 434;  
320/107-115; 455/573

See application file for complete search history.

(56) **References Cited**

**U.S. PATENT DOCUMENTS**

D130,519 S	12/1941	Treslse et al.	
D259,954 S	* 7/1981	Reichl .....	D24/110
D291,558 S	8/1987	Fonville	
5,028,859 A	7/1991	Johnson et al.	
D324,369 S	3/1992	Bushman et al.	
D327,248 S	6/1992	Hotsumi et al.	
D336,631 S	* 6/1993	Ivester .....	D13/108
D337,658 S	7/1993	Kaposvari	
5,280,229 A	1/1994	Faude et al.	
D349,097 S	7/1994	Watanabe	
D350,330 S	* 9/1994	Peterson .....	D13/107
D351,503 S	10/1994	Bach	
D359,474 S	* 6/1995	Palatov .....	D13/108
D375,936 S	11/1996	Palatov	
5,686,811 A	11/1997	Bushong et al.	
5,689,171 A	11/1997	Ludewig	
D388,764 S	1/1998	Bartling et al.	
5,742,149 A	4/1998	Simpson	
5,780,991 A	7/1998	Brake et al.	
D401,552 S	11/1998	Tanka et al.	
D402,258 S	* 12/1998	Kawakami .....	D13/107
D406,099 S	2/1999	Ng et al.	

5,959,434 A	9/1999	Park et al.	
D432,493 S	10/2000	Killebrew et al.	
D435,558 S	* 12/2000	Tong et al. ....	D14/434
D438,170 S	2/2001	Hofbauer	
D439,877 S	4/2001	Vacheron et al.	
D442,141 S	* 5/2001	Ikenaga .....	D13/107

(Continued)

**OTHER PUBLICATIONS**

24 Pcs AA 2300mAh Rechargeable Batteries with 3 battery holders, OpticaSpace, downloaded Feb. 21, 2006, <http://cgi.ebay.com>.

16 Pcs. AA 2300mAh Rechargeable Batteries with 3 battery holders, OpticaSpace, downloaded Feb. 21, 2006, <http://cgi.ebay.com>.

12 Pcs AA 2300mAh Rechargeable Batteries with 3 battery holders, OpticaSpace, downloaded Feb. 21, 2006, <http://cgi.ebay.com>.

AA AAA Batteries Holder Case, Go4DC Photo Supplies Online Store, downloaded Feb. 21, 2006, <http://cgi.ebay.com>.

Energizer, Battery Charger Marketing Material, Jun. 8, 2005.

*Primary Examiner*—Alan P. Douglas

*Assistant Examiner*—Rosemary K. Tarcza

(74) *Attorney, Agent, or Firm*—Michael C. Pophal

(57) **CLAIM**

The ornamental design for a battery charger, as shown and described.

**DESCRIPTION**

FIG. 1 is a right front perspective view of the battery charger;

FIG. 2 is a left rear perspective view of the battery charger;

FIG. 3 is a front view of the battery charger;

FIG. 4 is a top view of the battery charger;

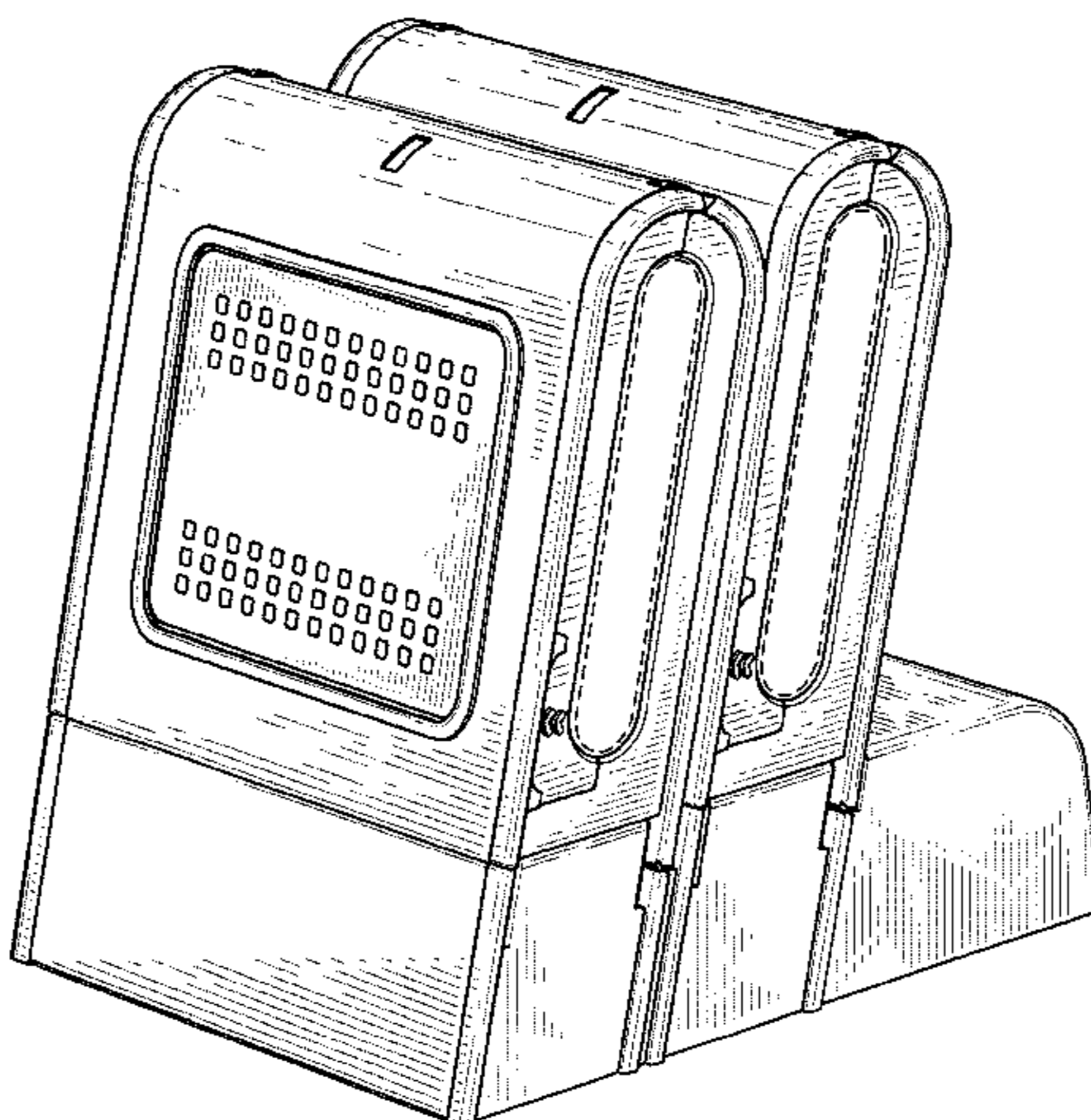
FIG. 5 is a left side view of the battery charger;

FIG. 6 is a right side view of the battery charger;

FIG. 7 is a rear view of the battery charger; and,

FIG. 8 is a bottom view of the battery charger.

**1 Claim, 8 Drawing Sheets**



# US D536,300 S

Page 2

---

## U.S. PATENT DOCUMENTS

D446,184 S	8/2001	Parker	D487,192 S	3/2004	Farnham et al.
6,350,040 B1	2/2002	Parker	D489,325 S *	5/2004	Nakamura ..... D13/110
D456,350 S	4/2002	Mott et al.	D492,250 S *	6/2004	Alviar et al. .... D13/110
D457,133 S	5/2002	Yoneyama	D495,336 S *	8/2004	Andre et al. .... D14/434
D468,688 S	1/2003	Helman	D506,065 S	6/2005	Sugino et al.
D469,061 S	1/2003	Porter	D510,091 S *	9/2005	Mori et al. .... D14/434
D476,950 S	7/2003	Peress et al.	D520,943 S *	5/2006	Imai ..... D13/108
6,617,827 B2	9/2003	Knish et al.	D523,847 S *	6/2006	Naruki ..... D14/217

\* cited by examiner

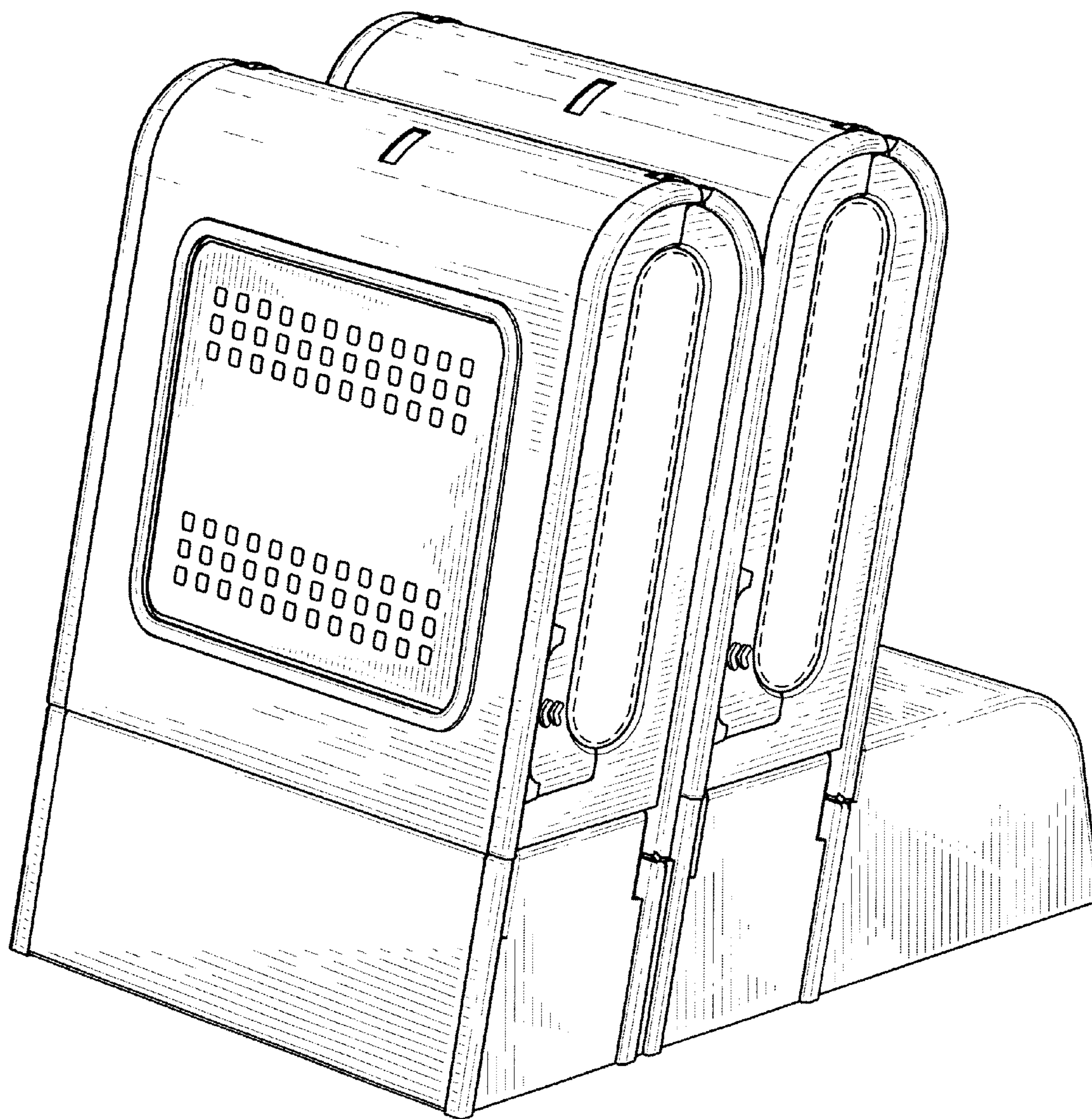


FIG. 1

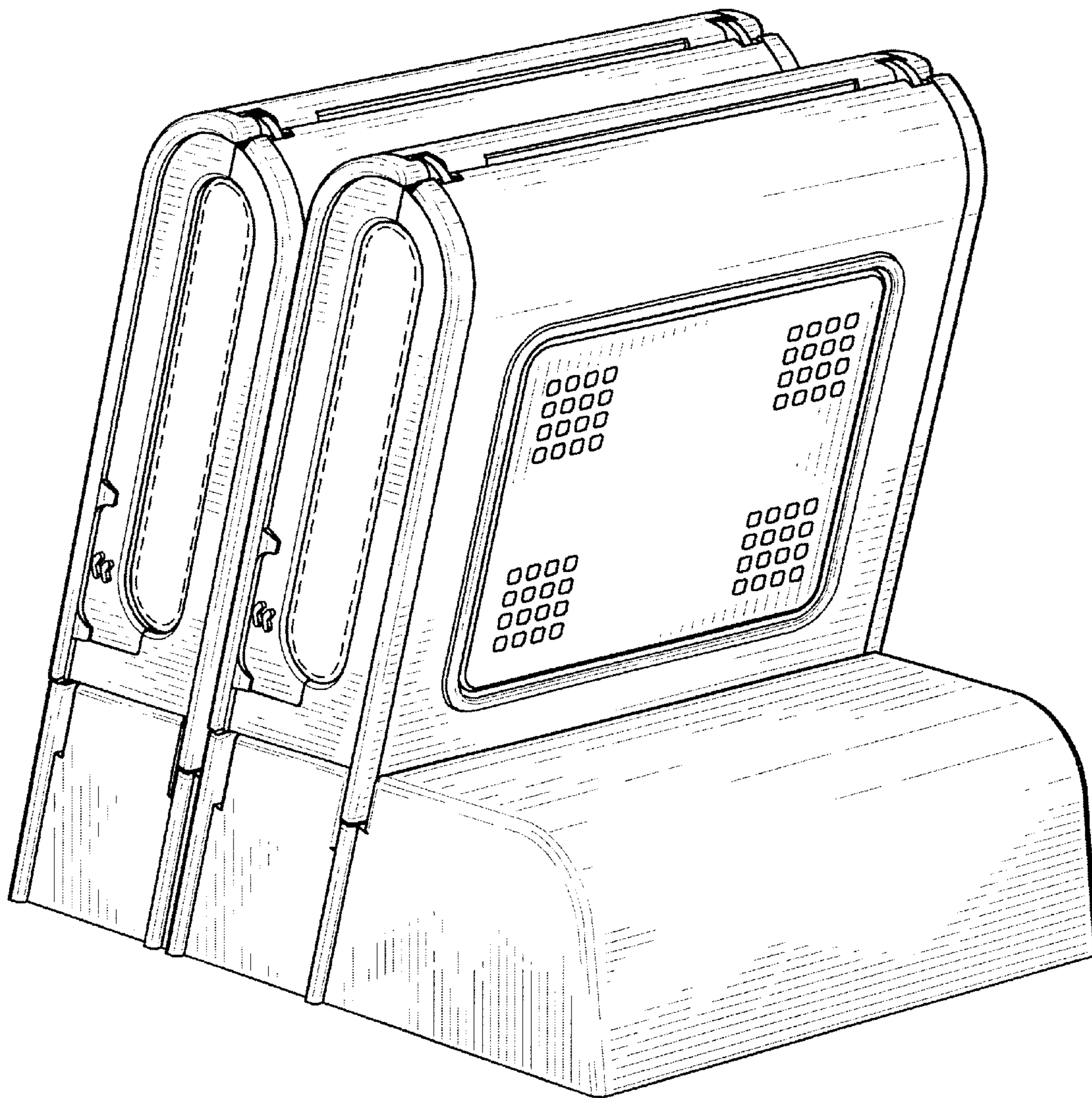


FIG. 2

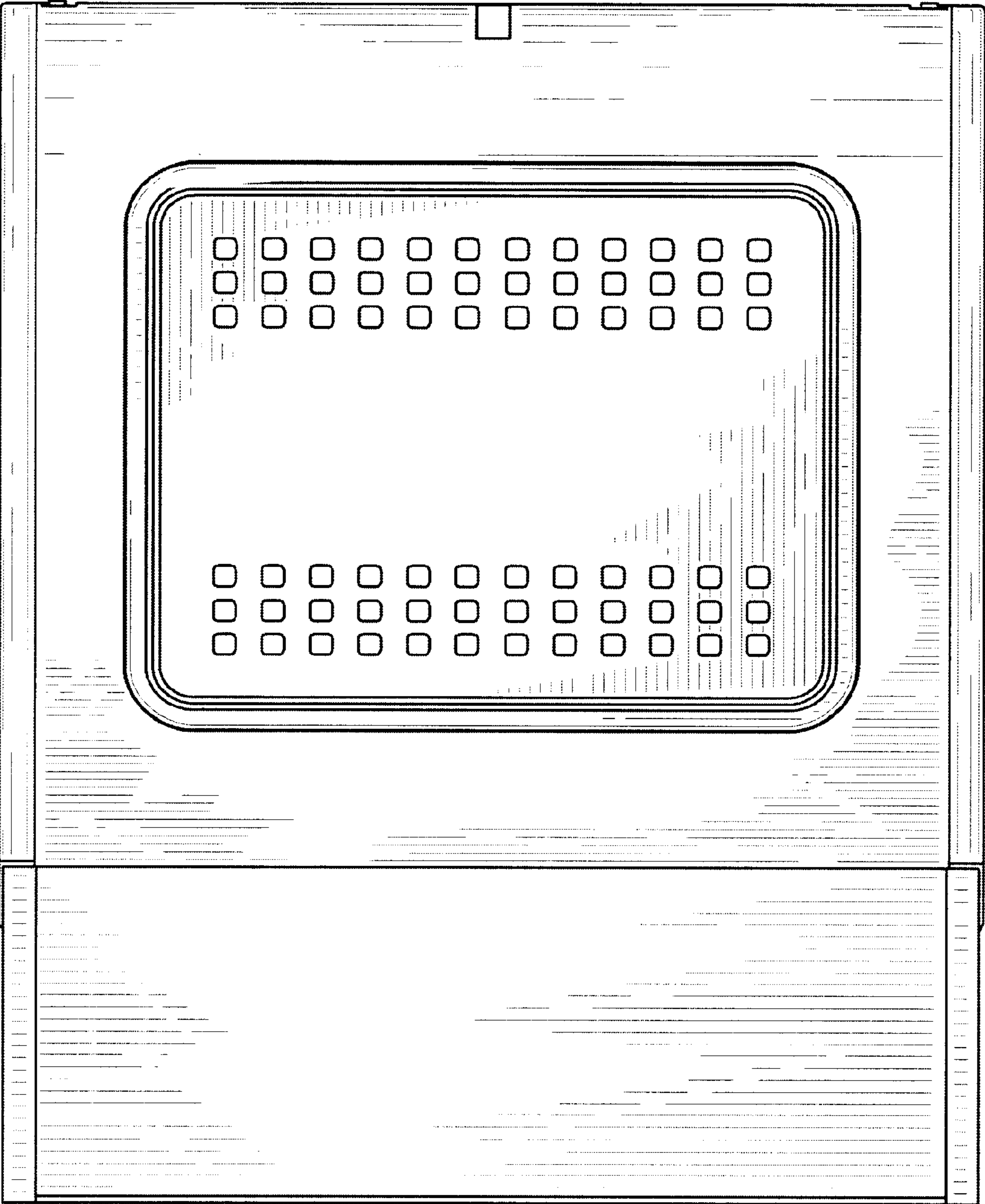


FIG. 3

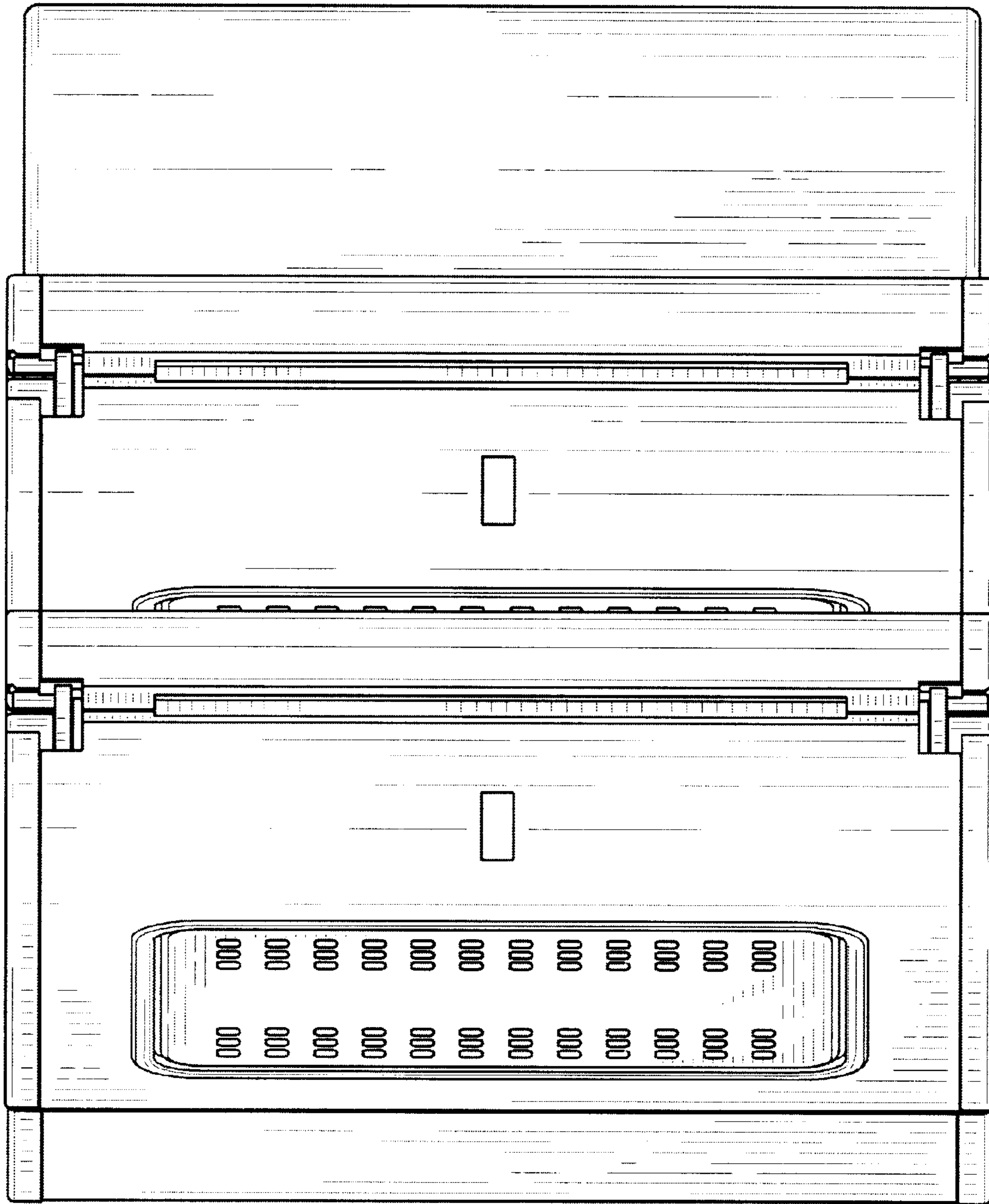


FIG. 4

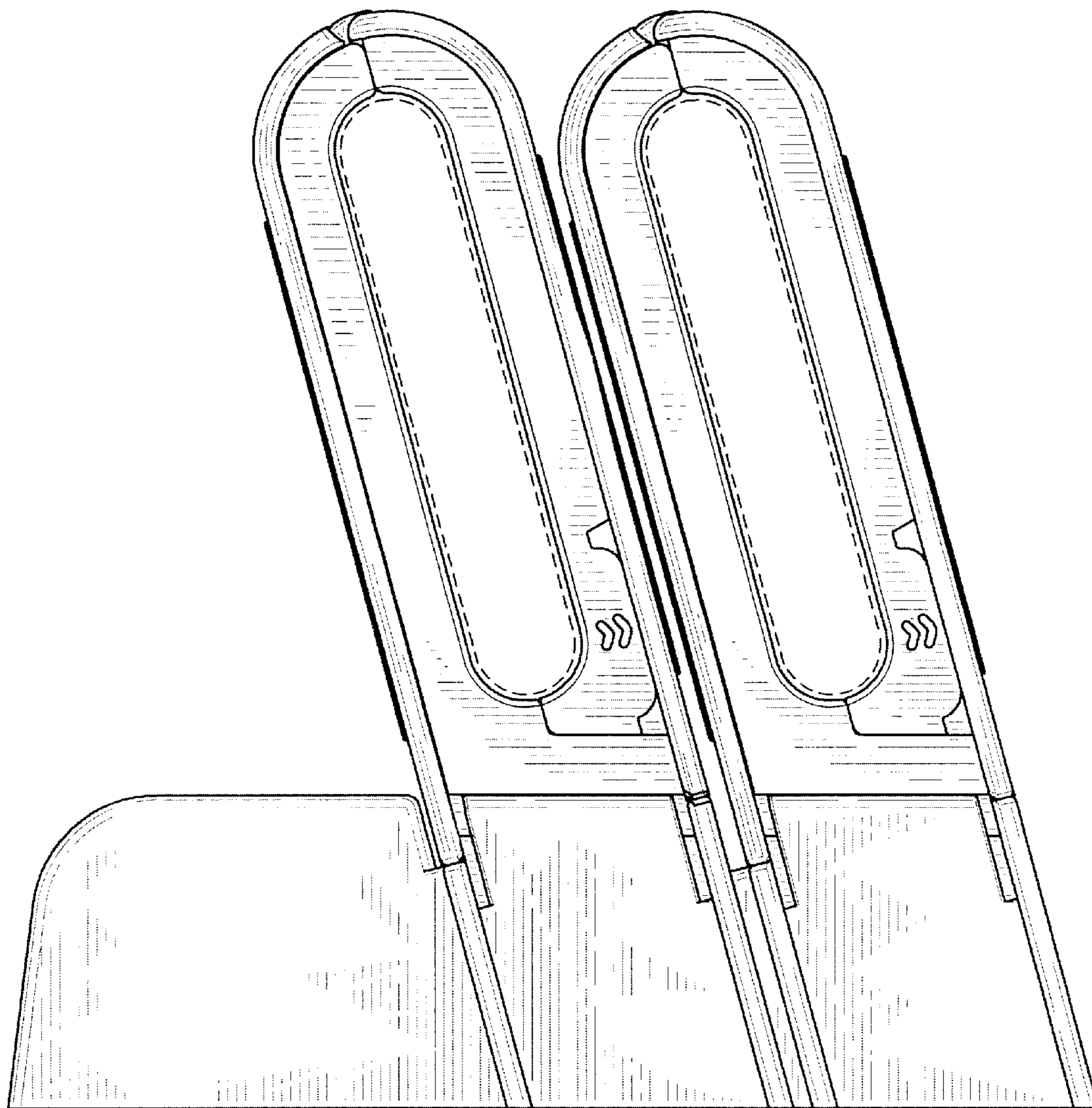


FIG. 5

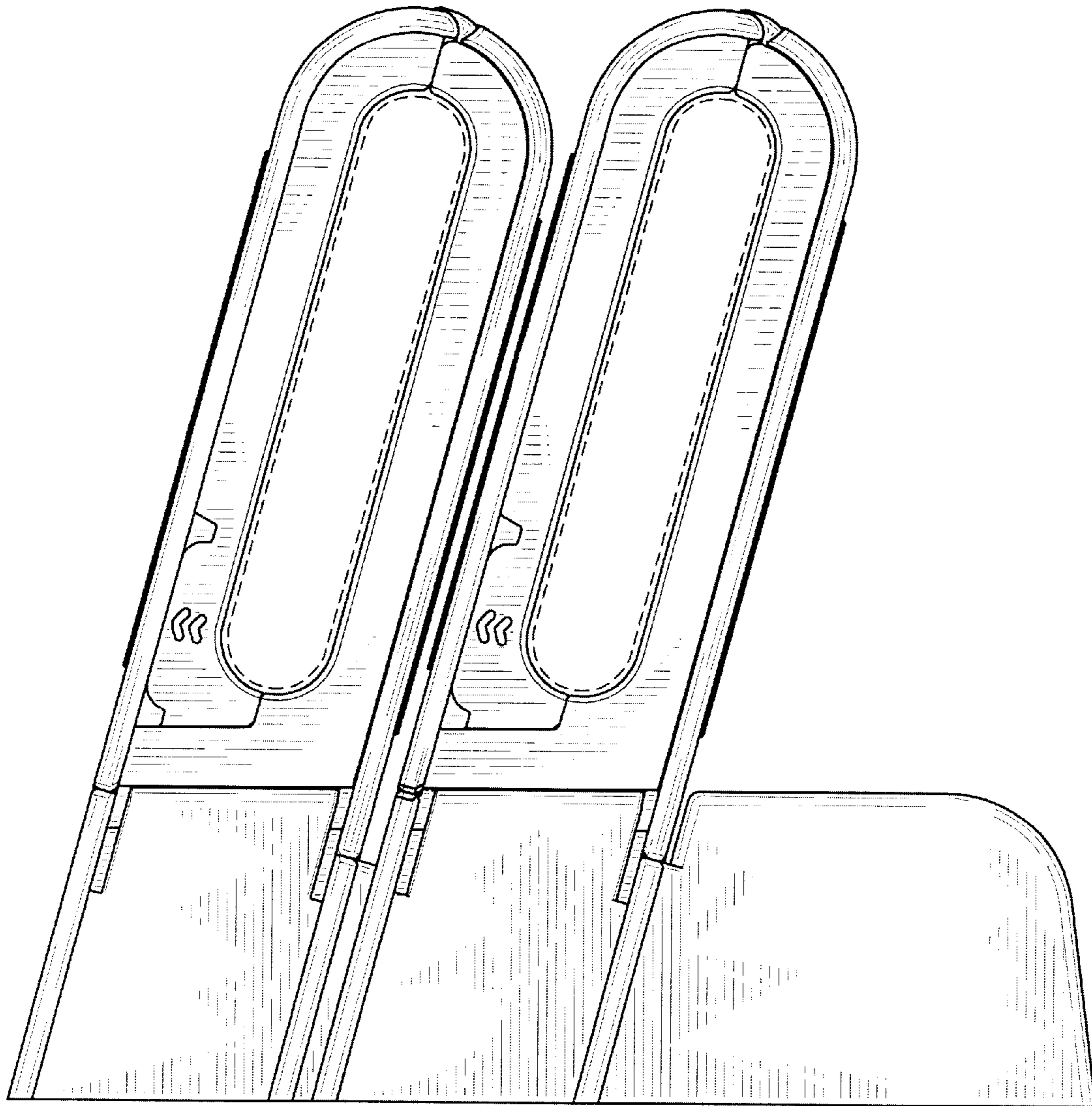


FIG. 6



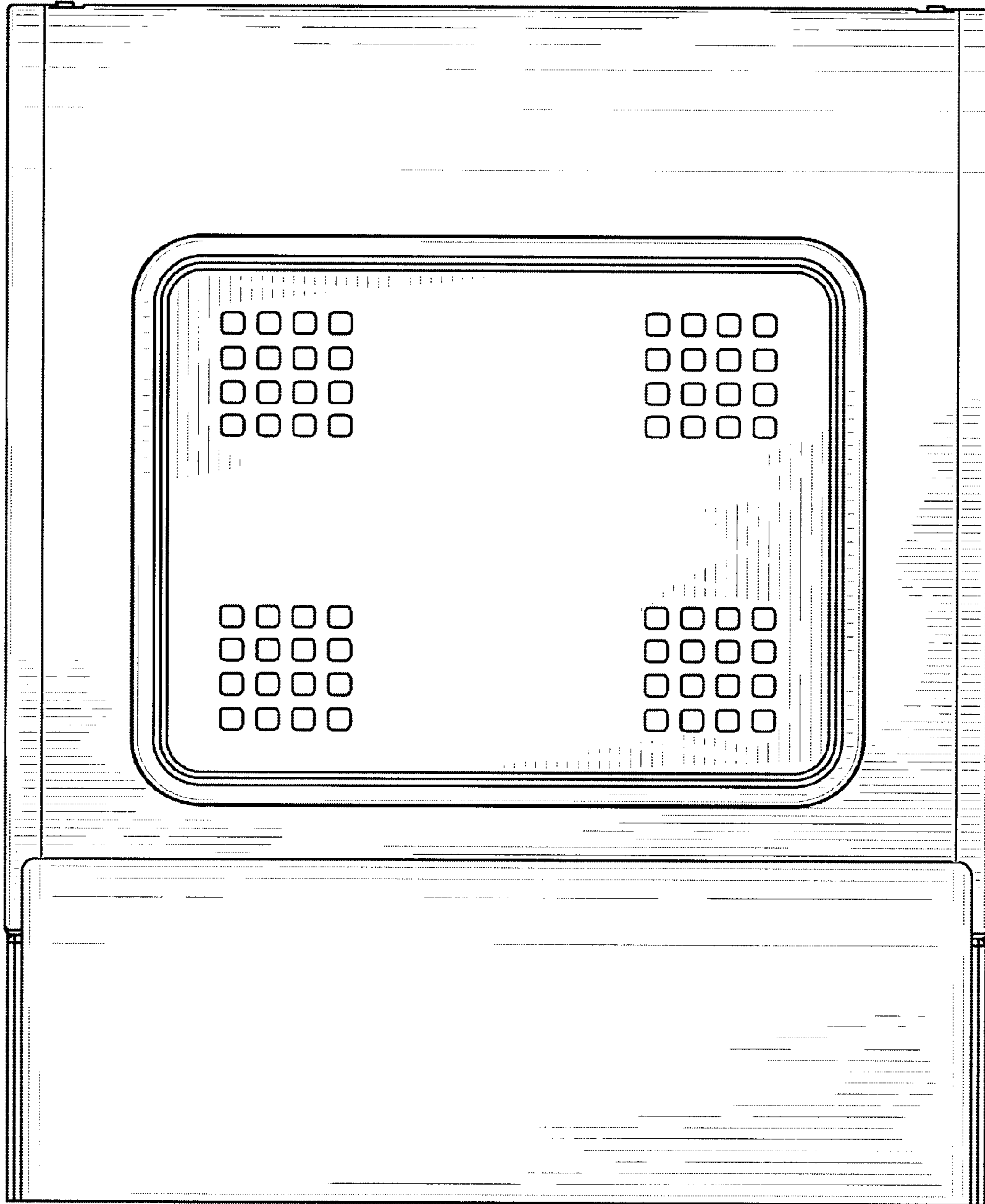


FIG. 7

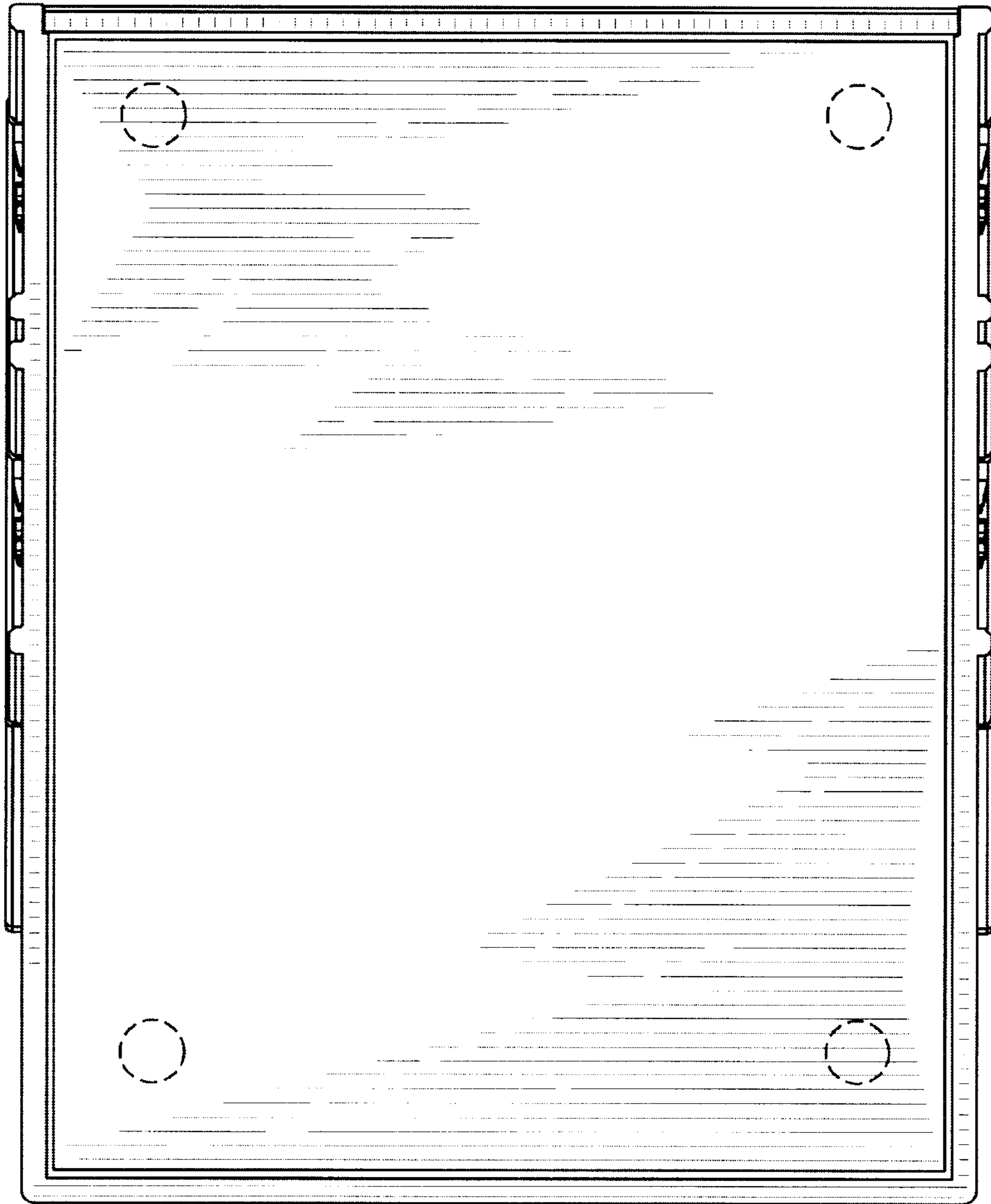


FIG. 8