



US00D536297S

(12) **United States Design Patent**
Awashima et al.

(10) **Patent No.:** **US D536,297 S**

(45) **Date of Patent:** **** Feb. 6, 2007**

(54) **PONTOON**

(75) Inventors: **Yuji Awashima**, Abiko (JP); **Kentaro Watanabe**, Kure (JP); **Kazuhiko Tsunoo**, Yokohama (JP)

(73) Assignee: **IHI Marine United Inc.**, Tokyo (JP)

(**) Term: **14 Years**

(21) Appl. No.: **29/241,473**

(22) Filed: **Oct. 28, 2005**

(30) **Foreign Application Priority Data**

Apr. 28, 2005 (JP) 2005-012937

(51) **LOC (8) Cl.** **12-06**

(52) **U.S. Cl.** **D12/317**

(58) **Field of Classification Search** D12/168,
D12/317; D21/803-805; 114/61.1, 61.11-61.19,
114/219, 283; 440/21, 35

See application file for complete search history.

(56) **References Cited**

U.S. PATENT DOCUMENTS

- D187,824 S * 5/1960 Bryan D12/168
- D209,432 S * 11/1967 Gregory D12/317
- D217,310 S * 4/1970 Duckett et al. D12/168

- D217,645 S * 5/1970 Magi D12/168
- D256,449 S * 8/1980 Upchurch D12/317
- D361,969 S * 9/1995 Petersen D12/168
- D364,595 S * 11/1995 Doyle D12/168
- D444,442 S * 7/2001 Andrews D12/318
- D486,767 S * 2/2004 Bulger D12/172
- D487,238 S * 3/2004 Beyer-Olsen D12/168
- D520,935 S * 5/2006 Schoell D12/317

* cited by examiner

Primary Examiner—Holly H. Baynham

Assistant Examiner—Cynthia M. Chin

(74) *Attorney, Agent, or Firm*—Oblon, Spivak, McClelland, Maier & Neustadt, P.C.

(57) **CLAIM**

The ornamental design for a pontoon, as shown and described.

DESCRIPTION

FIG. 1 is a top perspective view of a pontoon;
 FIG. 2 is a bottom perspective view thereof;
 FIG. 3 is a front view thereof;
 FIG. 4 is a right side view thereof; and,
 FIG. 5 is a bottom view thereof.
 The broken lines shown in the views are for illustrative purpose only and form no part of claimed design.

1 Claim, 2 Drawing Sheets

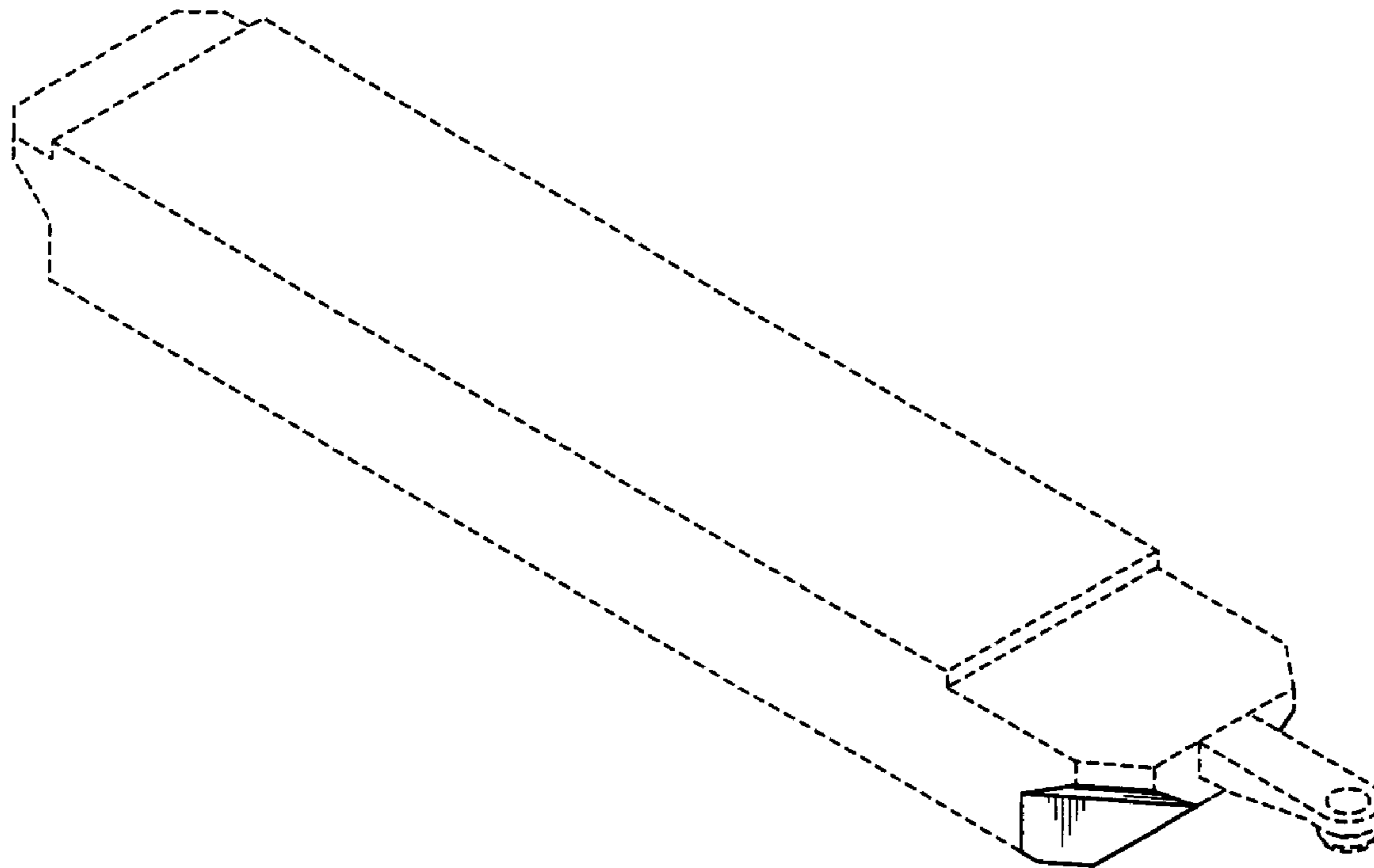


Fig.1

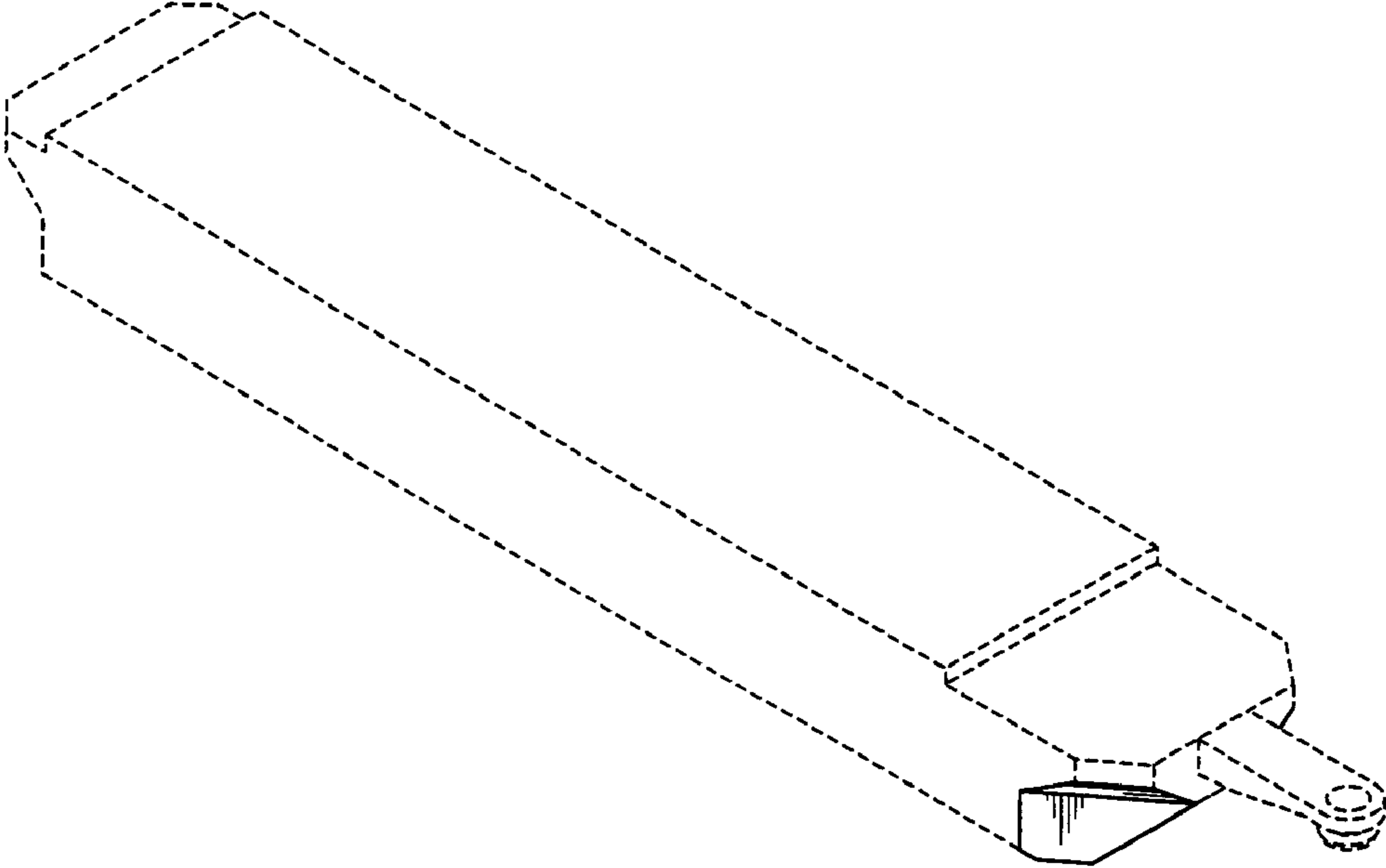


Fig.2

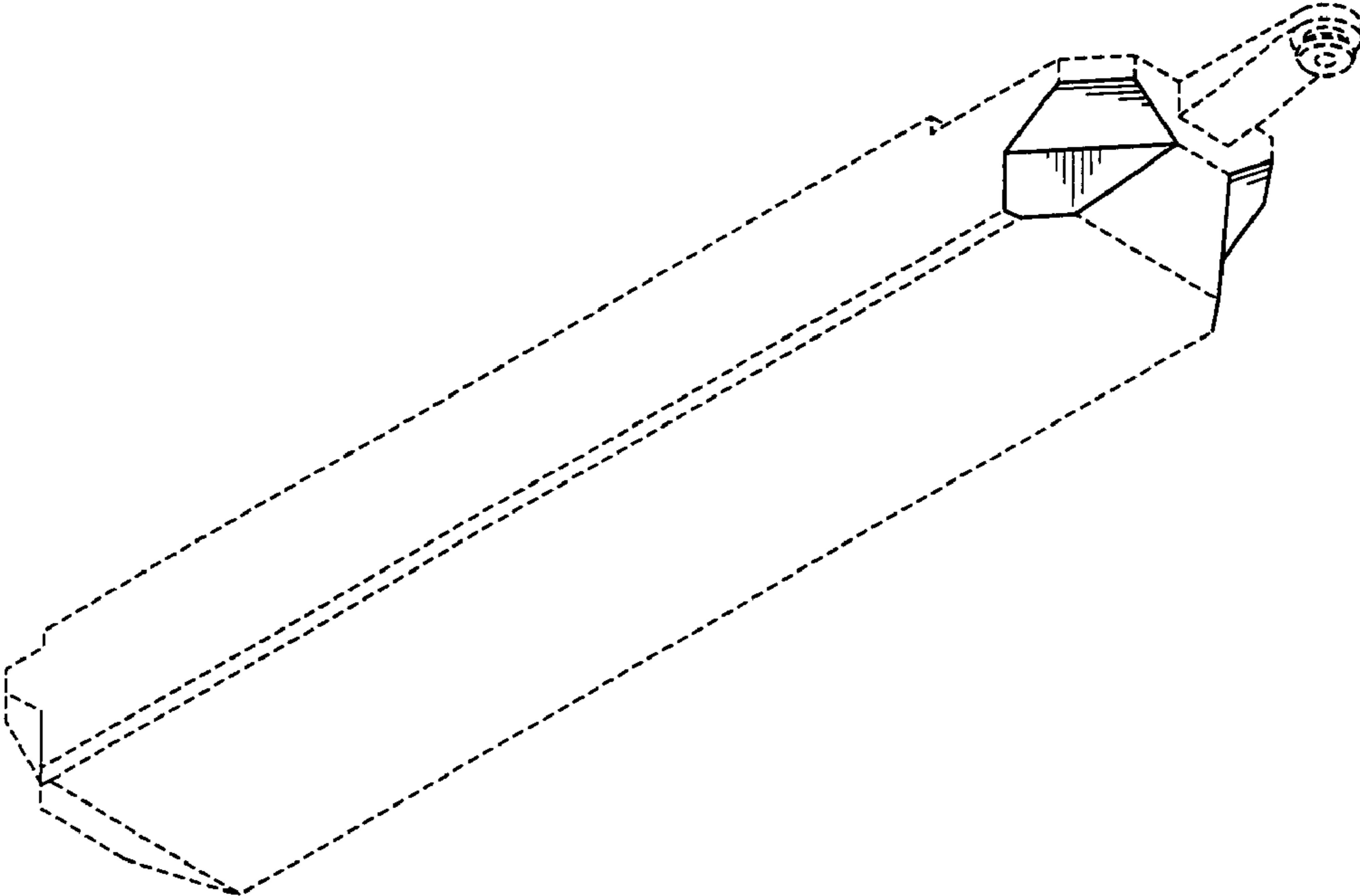


Fig.3

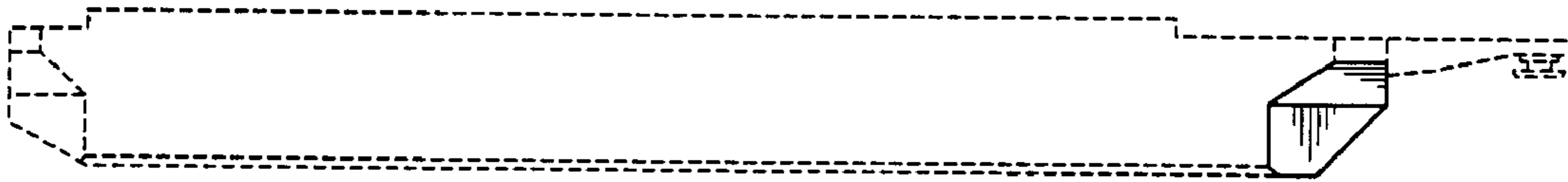


Fig.4

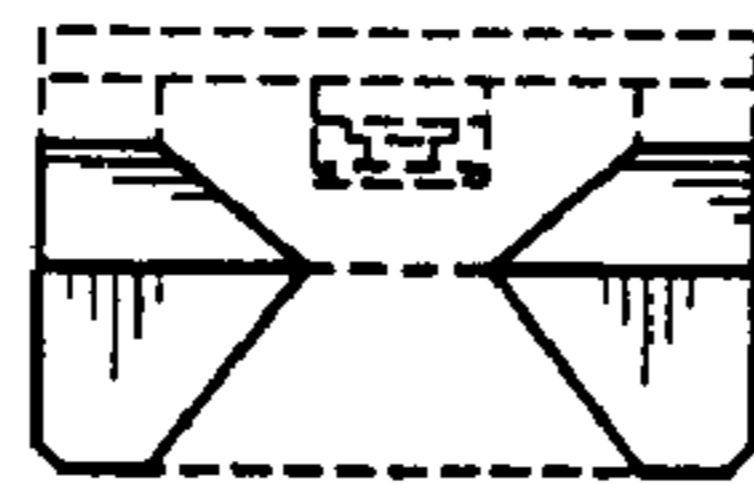


Fig.5

