



US00D536294S

(12) **United States Design Patent**
Laengerer

(10) **Patent No.:** **US D536,294 S**

(45) **Date of Patent:** **** Feb. 6, 2007**

(54) **FRONT FACE OF A VEHICLE WHEEL**

(75) Inventor: **Marcus Laengerer**, Renningen (DE)

(73) Assignee: **DaimlerChrysler AG**, Stuttgart (DE)

(**) Term: **14 Years**

(21) Appl. No.: **29/255,672**

(22) Filed: **Mar. 13, 2006**

(30) **Foreign Application Priority Data**

Sep. 14, 2005 (DE) 4 05 04 776

(51) **LOC (8) Cl.** **12-16**

(52) **U.S. Cl.** **D12/211**

(58) **Field of Classification Search** D12/204-213;
301/37.101, 64.101, 65
See application file for complete search history.

(56) **References Cited**

U.S. PATENT DOCUMENTS

- D402,252 S * 12/1998 Kulla D12/211
- D412,693 S * 8/1999 Kulla D12/211
- D466,852 S * 12/2002 Pfeiffer et al. D12/211
- D487,242 S * 3/2004 Lecher et al. D12/211

- D508,671 S * 8/2005 Baum D12/209
- D510,719 S * 10/2005 Noble D12/211
- D513,221 S * 12/2005 Pfeiffer D12/211
- D524,712 S * 7/2006 Pfeiffer D12/211
- D525,577 S * 7/2006 Laengerer D12/211
- D525,931 S * 8/2006 Chen D12/211
- D526,268 S * 8/2006 Pfeiffer D12/211

* cited by examiner

Primary Examiner—Stacia Cadmus

(74) *Attorney, Agent, or Firm*—Crowell & Moring LLP

(57) **CLAIM**

The ornamental design for a front face of a vehicle wheel, as shown and described.

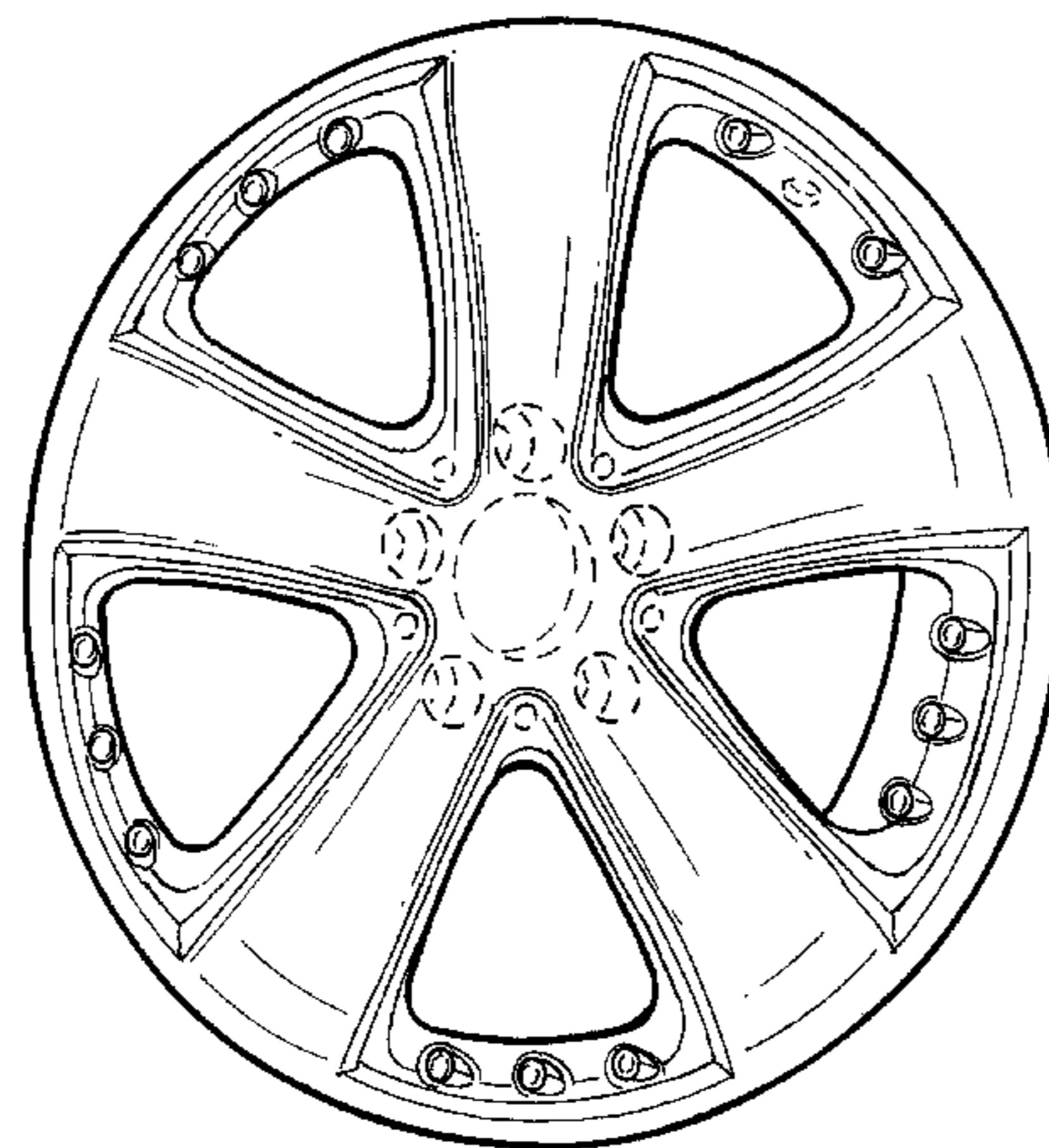
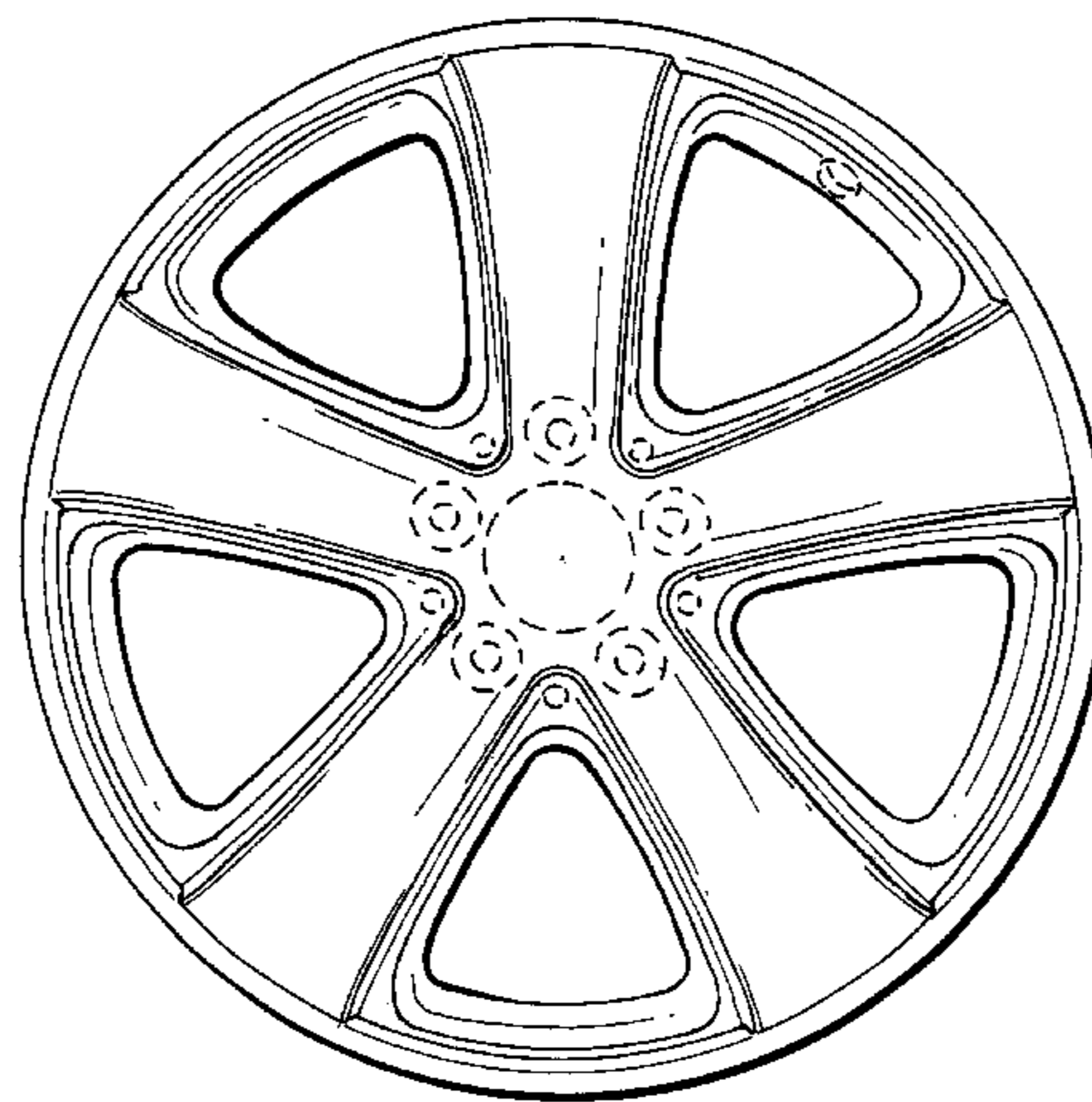
DESCRIPTION

FIG. 1 is a front view of a first embodiment of a front face of a vehicle wheel according to my novel design; and FIG. 2 is a perspective view thereof.

FIG. 3 is a front view of a second embodiment of the front face of a vehicle wheel according to my novel design; and, FIG. 4 is a perspective view thereof.

The broken lines are for illustrative purposes only and form no part of the claimed design.

1 Claim, 2 Drawing Sheets



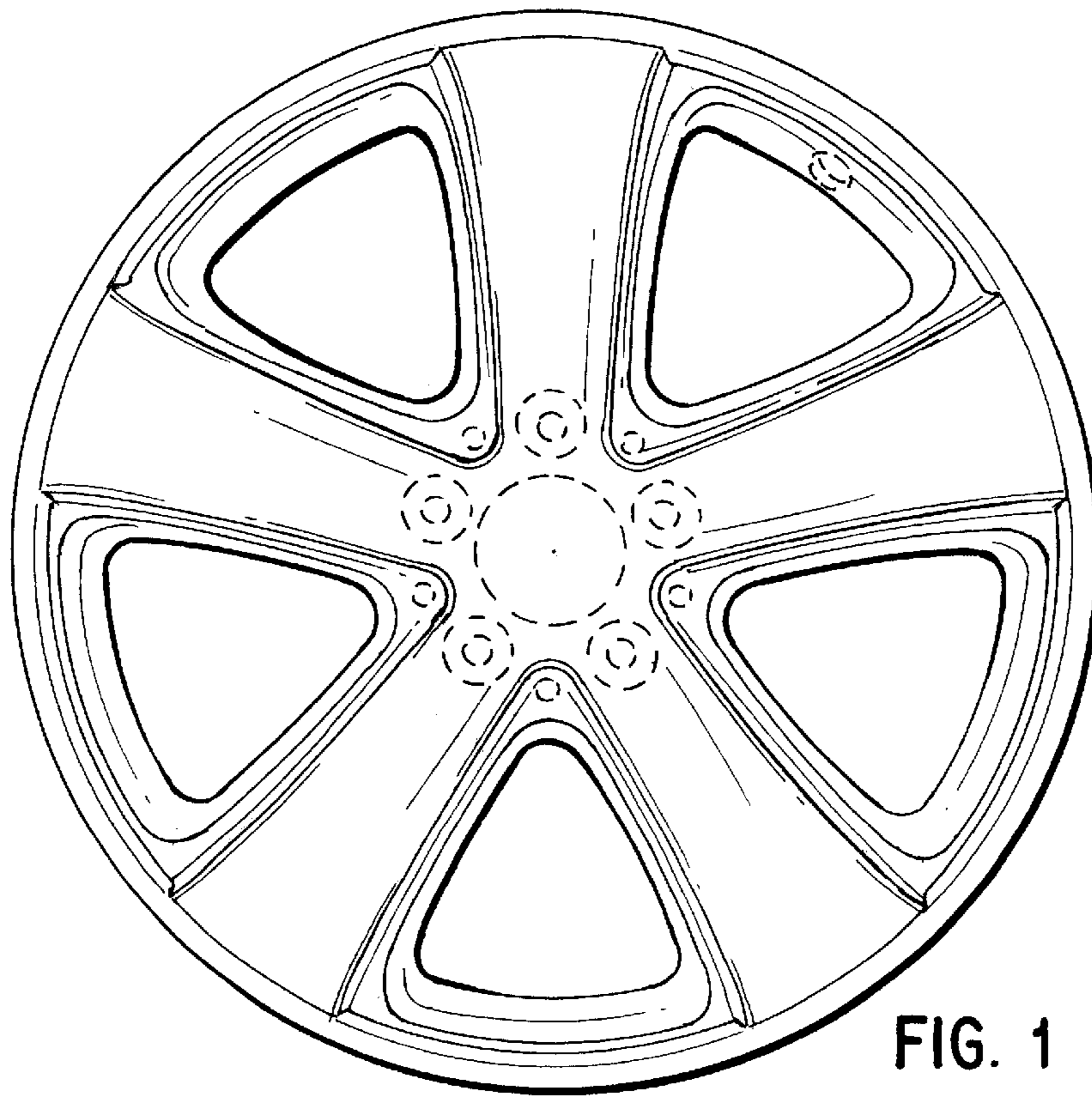


FIG. 1

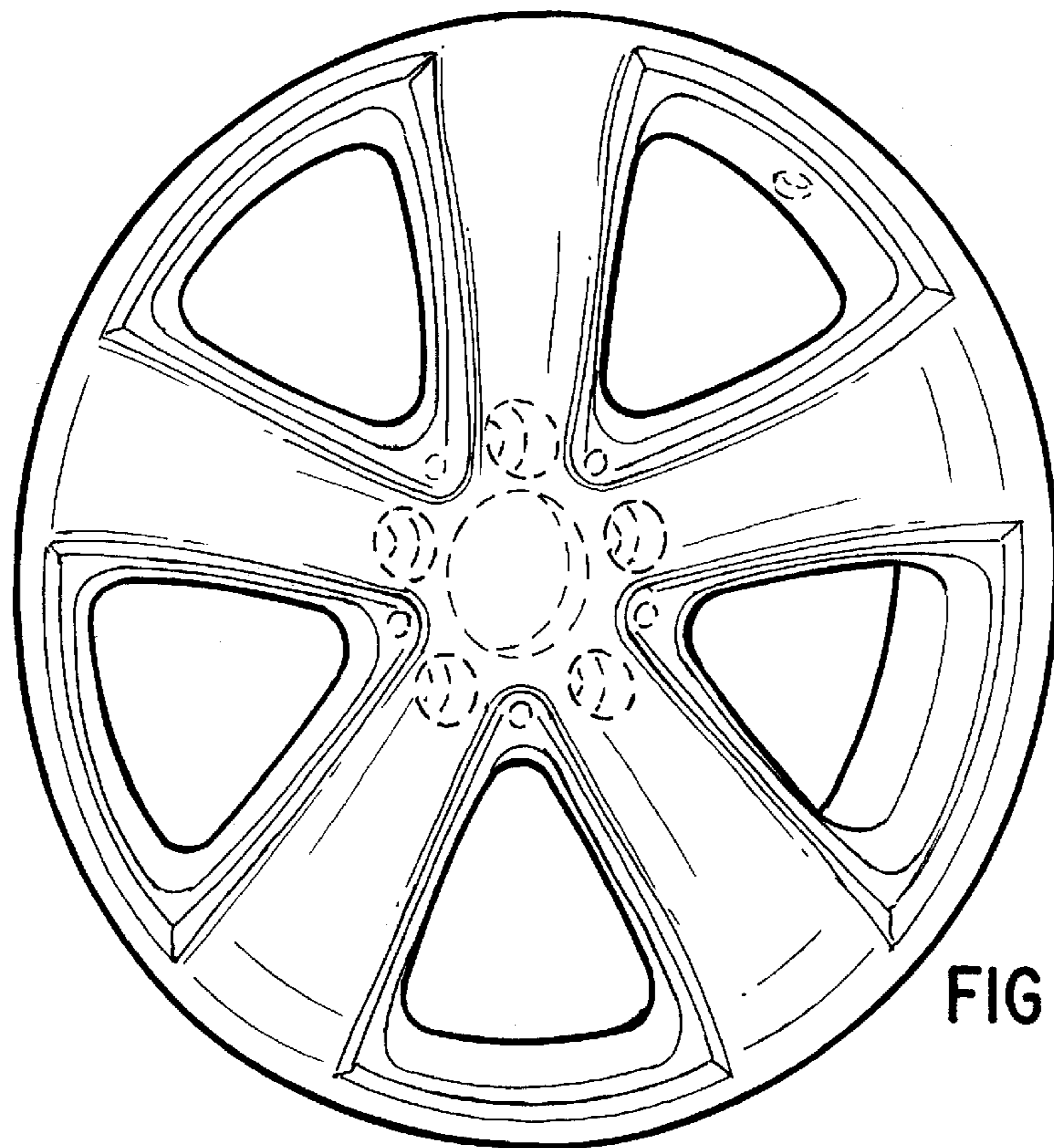


FIG. 2

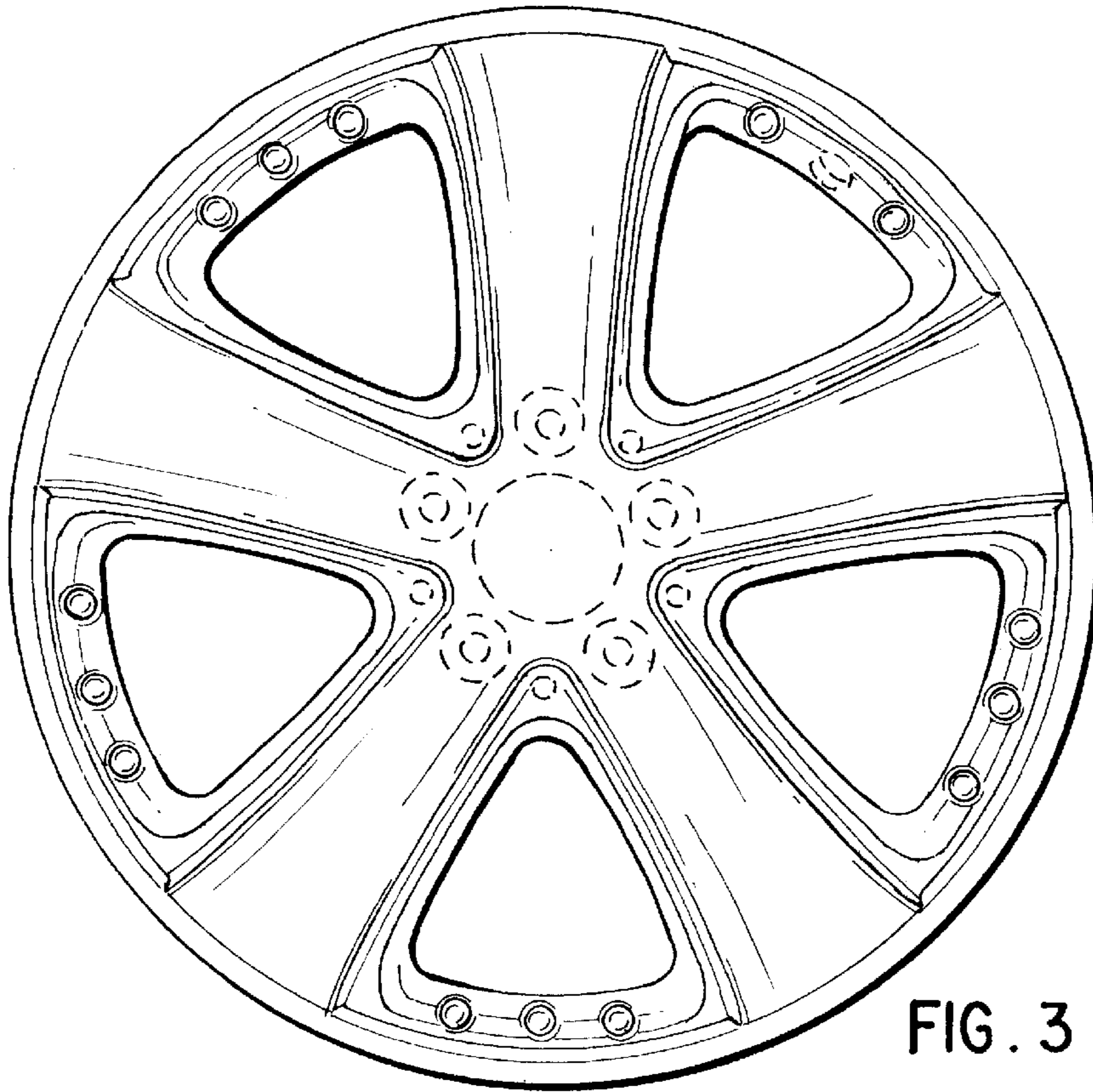


FIG. 3

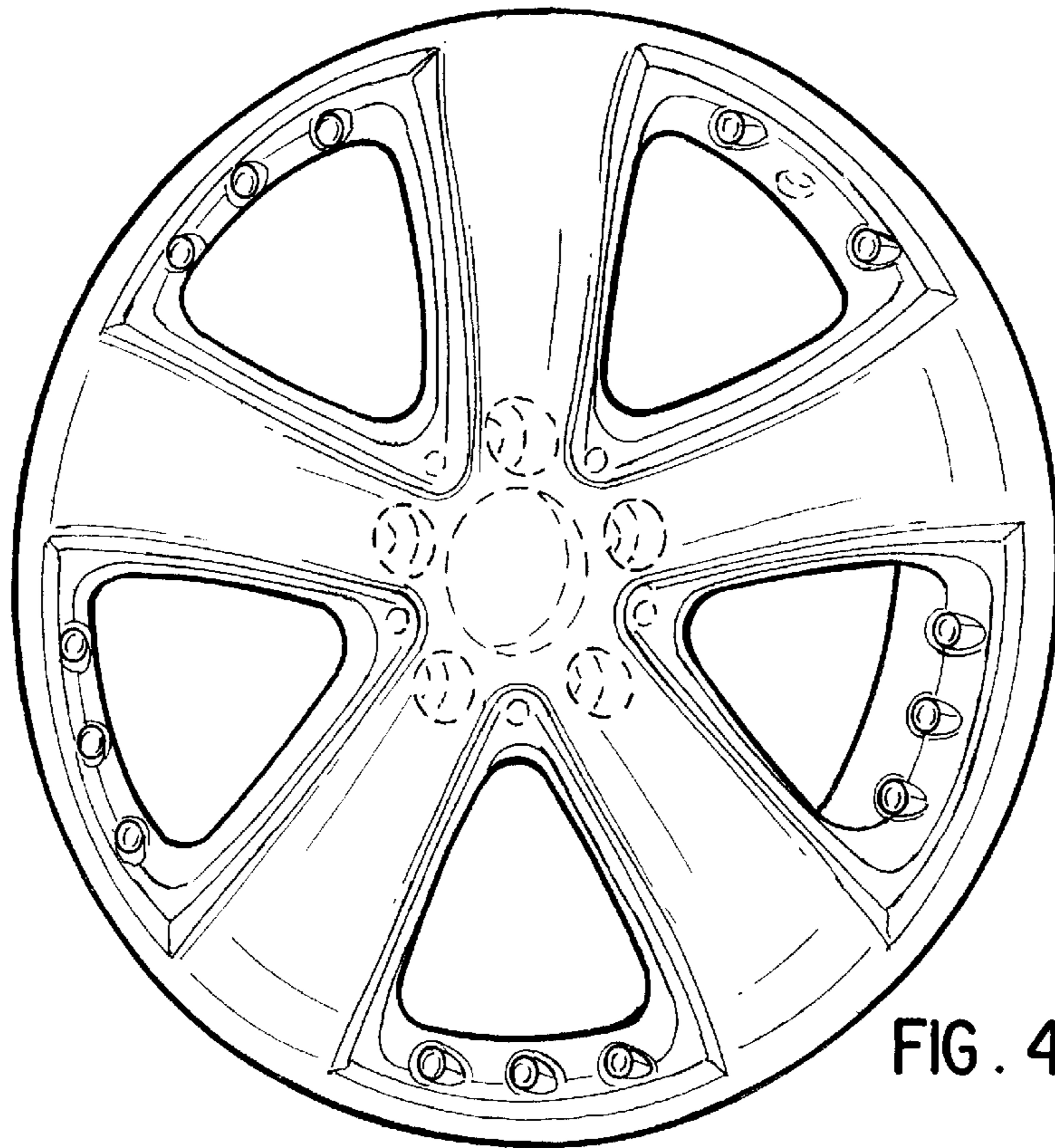


FIG. 4