



US00D536293S

(12) **United States Design Patent**
Brouillette et al.

(10) **Patent No.:** **US D536,293 S**

(45) **Date of Patent:** **** Feb. 6, 2007**

(54) **VEHICLE WHEEL**

(75) Inventors: **Brandon L. Brouillette**, Grand Junction, CO (US); **Benjamin P. Johnson**, Grand Junction, CO (US)

(73) Assignee: **Complete Wheel Source, Inc.**, Grand Junction, CO (US)

(**) Term: **14 Years**

(21) Appl. No.: **29/259,296**

(22) Filed: **May 5, 2006**

(51) **LOC (8) Cl.** **12-16**

(52) **U.S. Cl.** **D12/209**

(58) **Field of Classification Search** D12/204–213;
301/37.101, 64.101, 65
See application file for complete search history.

(56) **References Cited**

U.S. PATENT DOCUMENTS

D96,307 S	7/1935	Horn	
D256,576 S	8/1980	Koch	
D259,484 S	* 6/1981	Welburn D12/209
D383,428 S	9/1997	Brown et al.	
D415,462 S	10/1999	Hussaini et al.	
D427,132 S	6/2000	Lee	
D432,071 S	10/2000	Brown	
D432,481 S	10/2000	Brown	
D432,482 S	* 10/2000	Hodges D12/211

D449,266 S	10/2001	Afzal	
D451,874 S	12/2001	Donikoglu	
D455,695 S	* 4/2002	Kaucher D12/209
D471,504 S	3/2003	Laengerer	
D476,610 S	7/2003	Yun	
D476,939 S	7/2003	Francis	
D477,557 S	7/2003	Iacovelli et al.	
D479,178 S	9/2003	Lai	
D484,085 S	12/2003	Tirado	
D496,318 S	9/2004	Cheng	
D496,622 S	9/2004	Cheng	
D499,686 S	12/2004	Song	
D500,005 S	12/2004	van Hooydonk	
D504,650 S	* 5/2005	Ishiwata D12/209
D517,969 S	3/2006	Brouillette et al.	

* cited by examiner

Primary Examiner—Stacia Cadmus

(74) *Attorney, Agent, or Firm*—Dorr, Carson & Birney, P.C.

(57) **CLAIM**

The ornamental design for a vehicle wheel, as shown and described.

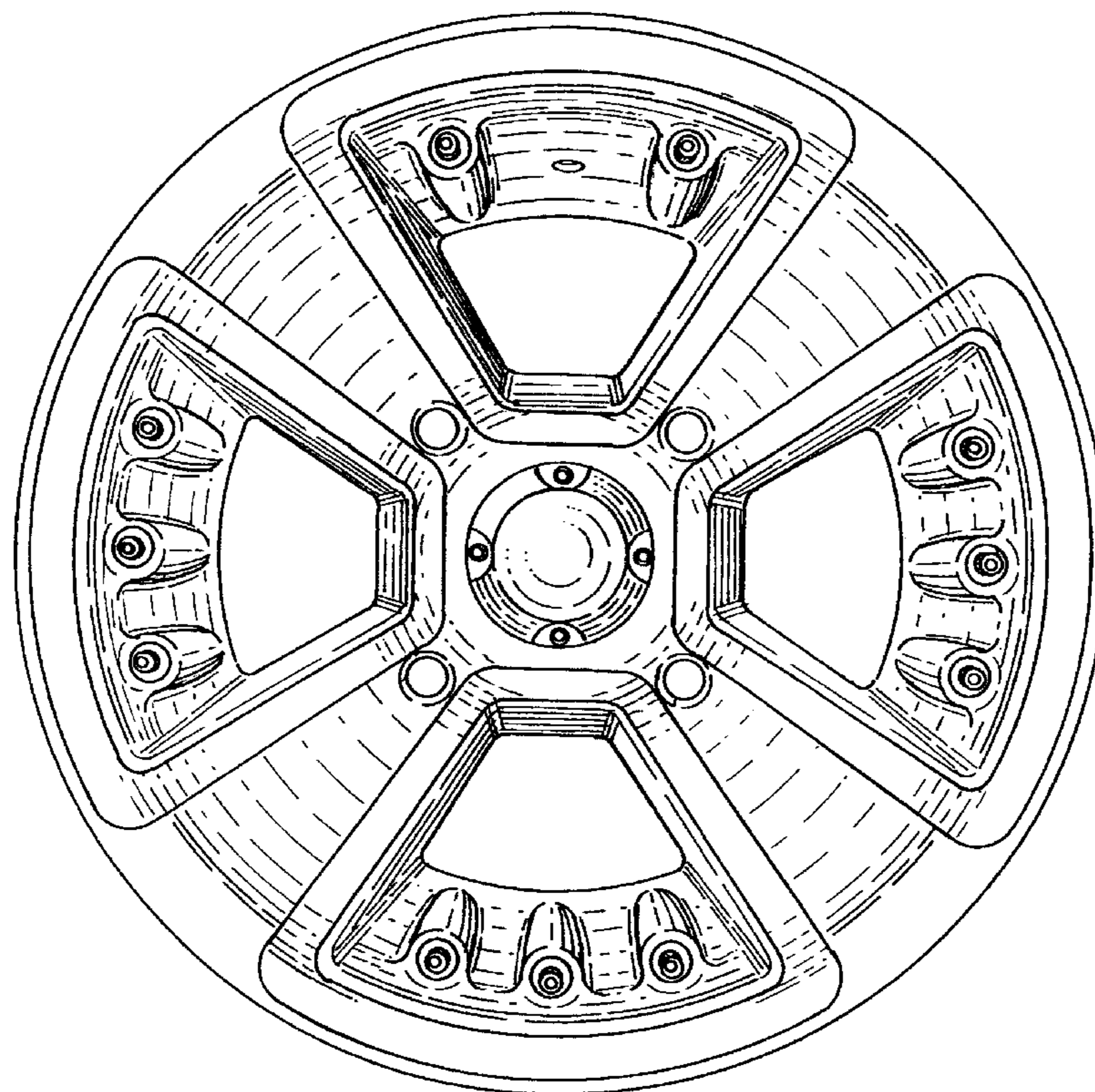
DESCRIPTION

FIG. 1 is a front perspective view of a vehicle wheel showing our new design.

FIG. 2 is a front elevational view thereof; and,

FIG. 3 is a side elevational view thereof.

1 Claim, 3 Drawing Sheets



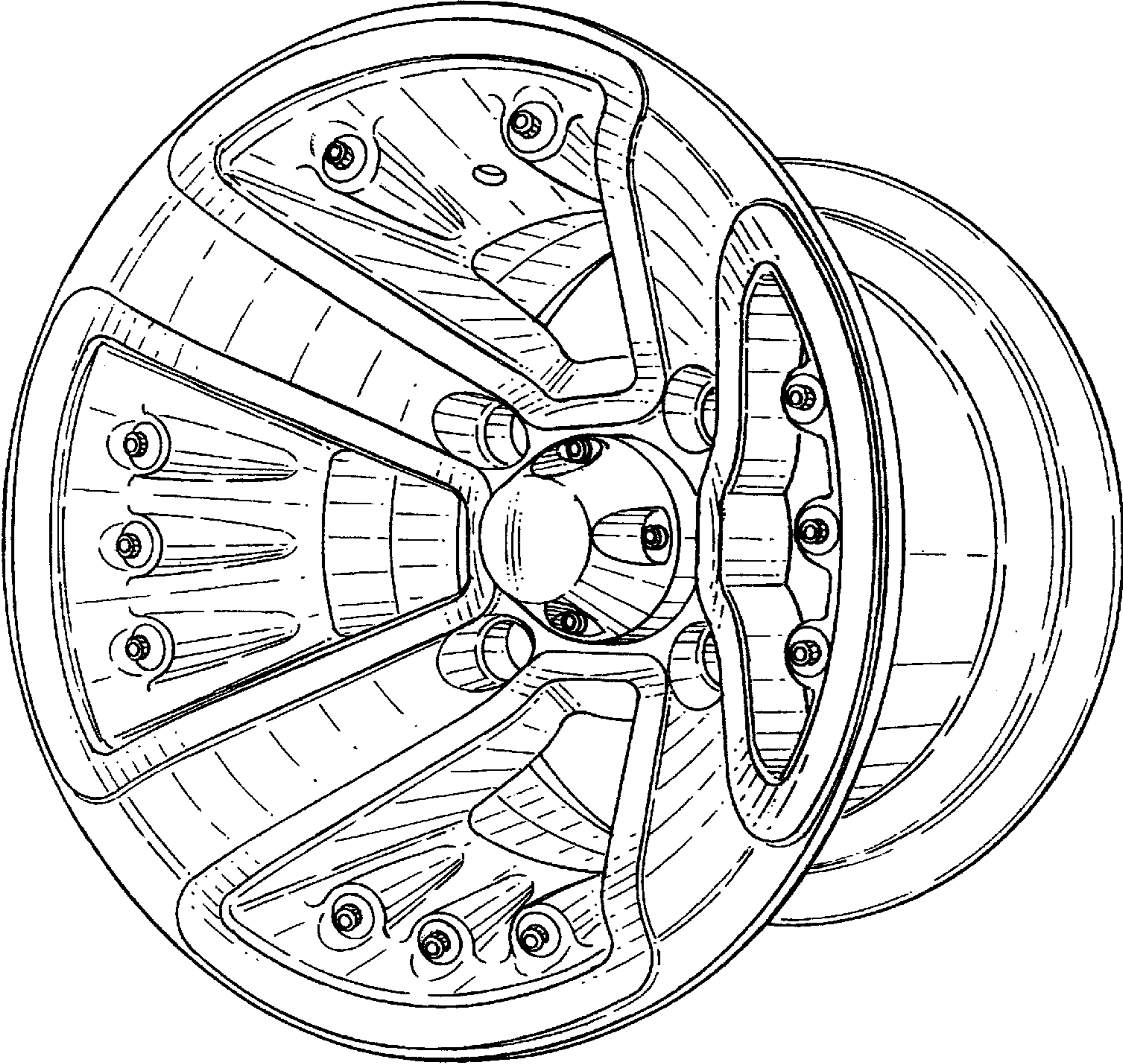


Fig. 1

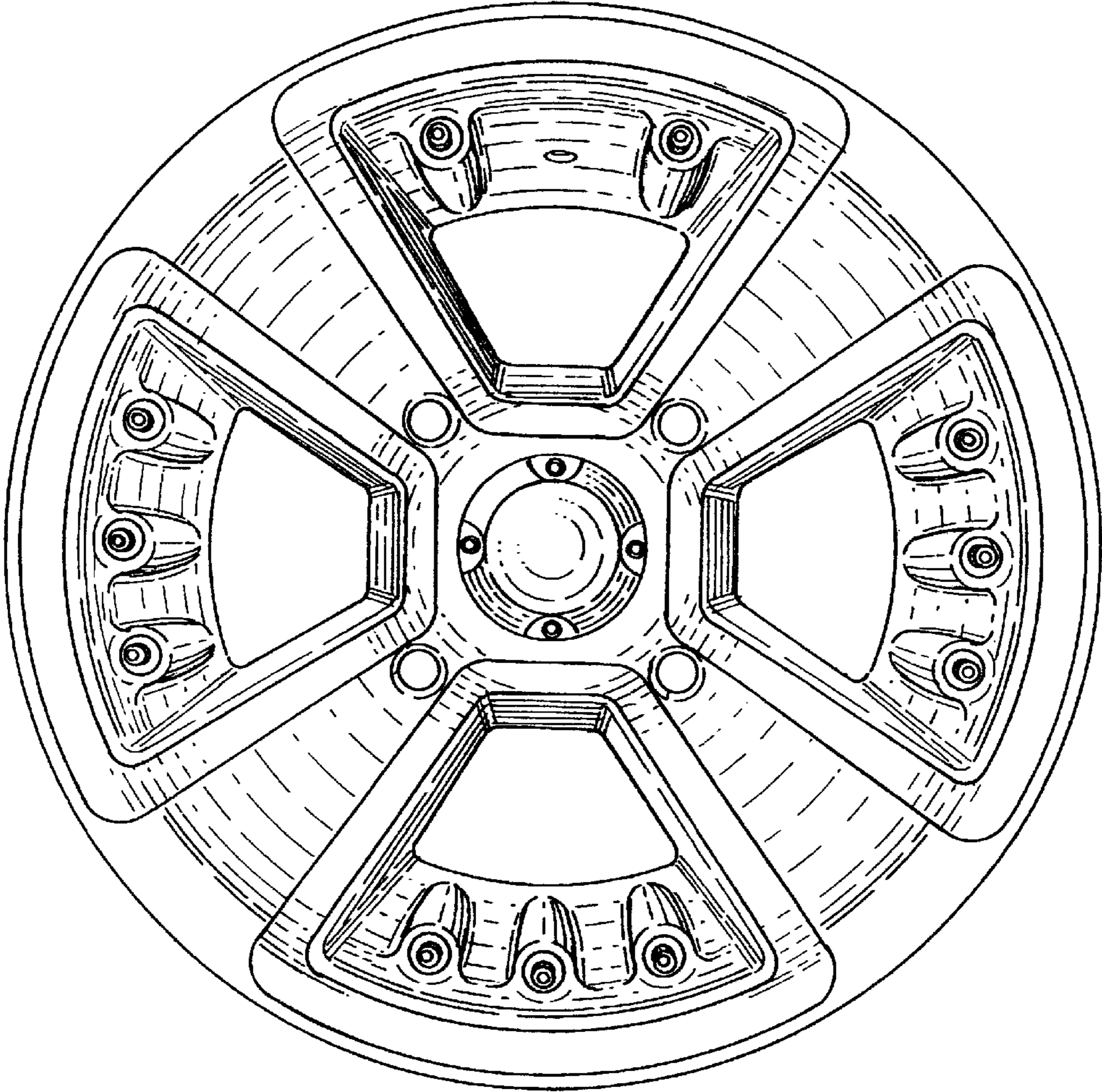


Fig. 2

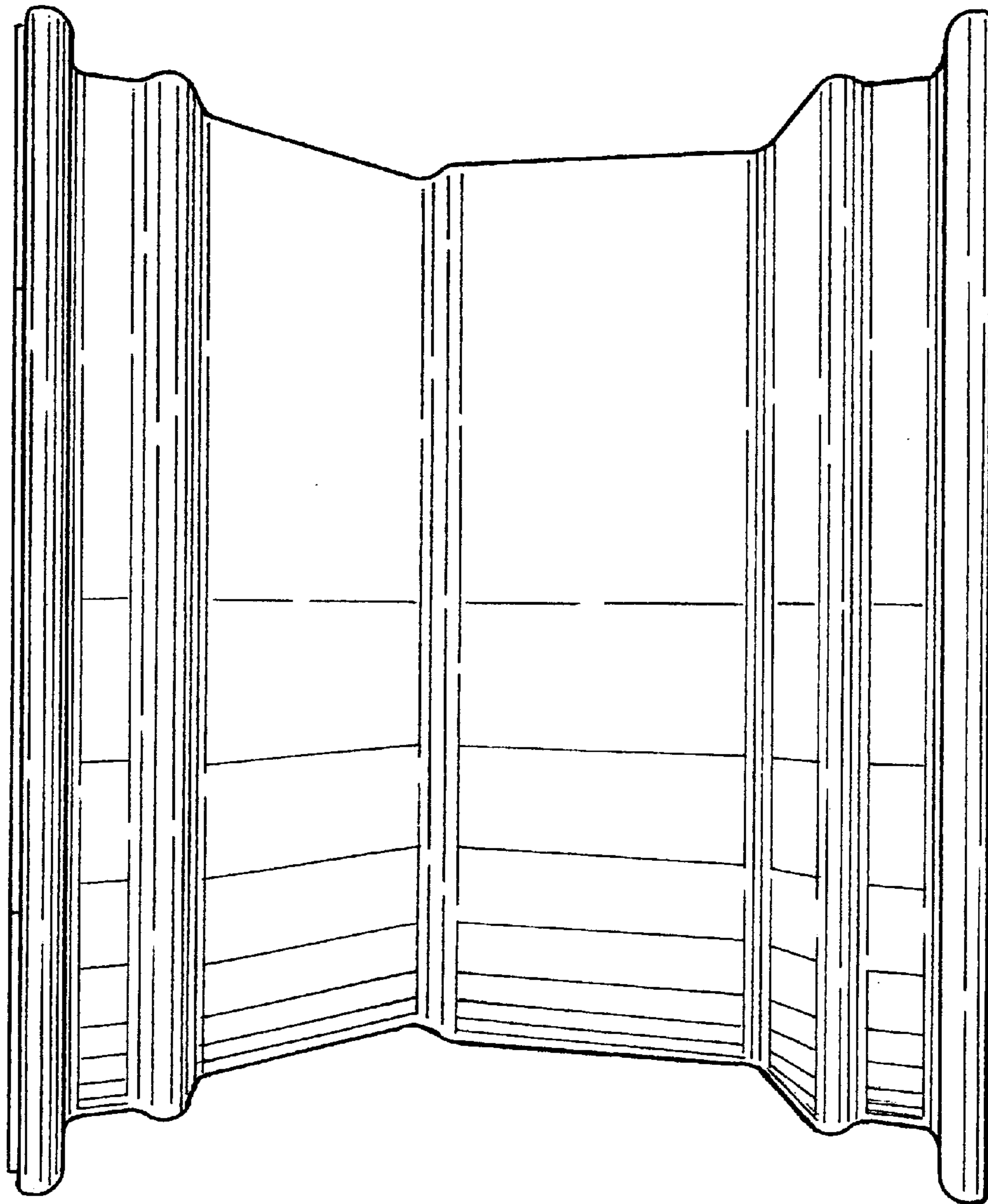


Fig. 3