



US00D536291S

(12) **United States Design Patent**
Wright et al.

(10) **Patent No.:** **US D536,291 S**

(45) **Date of Patent:** **** Feb. 6, 2007**

(54) **WHEEL TRIM FRONT HUB COVER**

(75) Inventors: **James P. Wright**, 51 Borden St.,
Cookeville, TN (US) 38501; **Timothy**
L. Bates, Cookeville, TN (US); **Barry**
L. Roberts, Cookeville, TN (US)

(73) Assignee: **James P. Wright**, Cookeville, TN (US)

(**) Term: **14 Years**

(21) Appl. No.: **29/208,455**

(22) Filed: **Jun. 29, 2004**

(51) **LOC (8) Cl.** **12-16**

(52) **U.S. Cl.** **D12/207**

(58) **Field of Classification Search** D12/207-213;
301/37.101, 64.101, 65

See application file for complete search history.

(56) **References Cited**

U.S. PATENT DOCUMENTS

D267,402 S	*	12/1982	Schinella	D12/211
D273,781 S	*	5/1984	Chapman	D12/211
D282,835 S	*	3/1986	Main	D12/209
D302,145 S		7/1989	Patti	12/207
4,932,724 A		6/1990	Wright	7/6
5,096,263 A		3/1992	Wright	7/6
5,193,884 A		3/1993	Sheu et al.	7/6
5,205,614 A		4/1993	Wright	7/14
5,205,616 A		4/1993	Wright	7/14
5,277,478 A		1/1994	Wright	7/12
5,286,093 A		2/1994	Wright	7/14
D350,524 S	*	9/1994	Bias	D12/213
5,645,324 A		7/1997	Wright et al.	7/6

5,669,672 A	9/1997	Wright et al.	7/10
5,676,430 A	10/1997	Wright et al.	7/10
5,695,257 A	12/1997	Wright et al.	7/6
5,722,735 A	3/1998	Wright et al.	7/6
5,890,773 A	4/1999	Wright et al.	27/0
6,152,537 A	11/2000	Wright et al.	7/6
6,511,132 B1	1/2003	Wright	7/14
D472,867 S	* 4/2003	Smarrt	D12/213

* cited by examiner

Primary Examiner—Caron D. Veynar

Assistant Examiner—George D. Kirschbaum

(74) *Attorney, Agent, or Firm*—Waddley & Patterson, P.C.;
Edward D. Lanquist, Jr.

(57) **CLAIM**

The ornamental design for a wheel trim front hub cover, as shown and described.

DESCRIPTION

FIG. 1 is a perspective view of the wheel trim front hub cover of Applicant's invention.

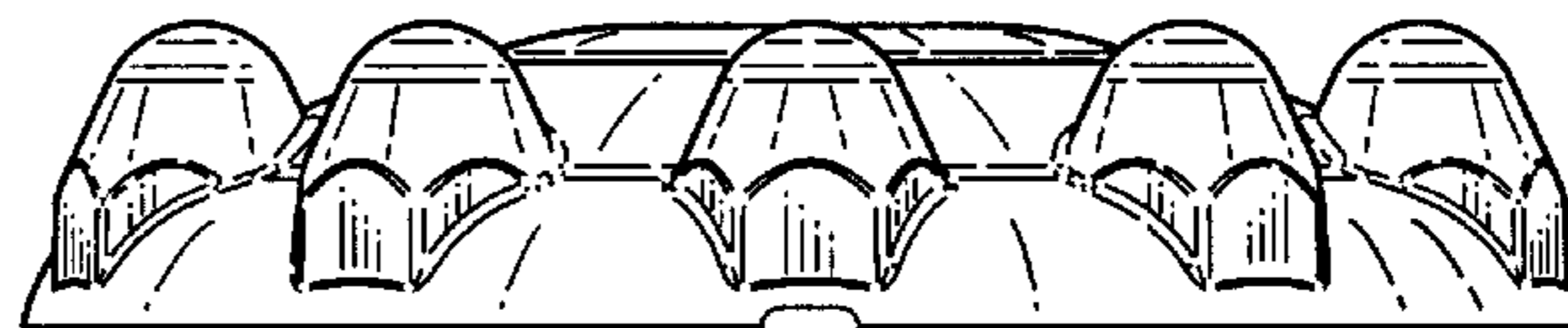
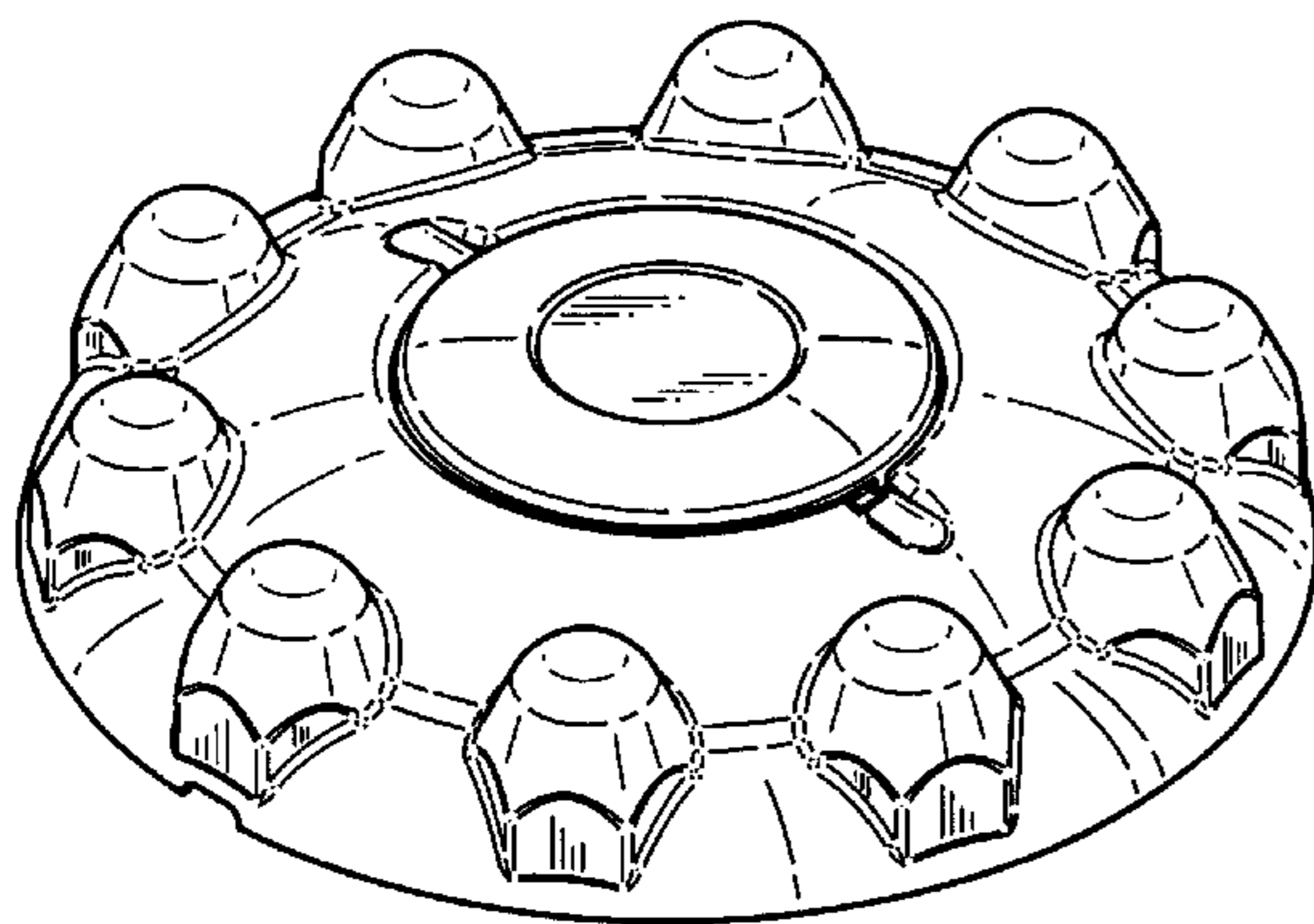
FIG. 2 is a front elevation and a back elevation of the wheel trim front hub cover of Applicant's invention, both sides being identical.

FIG. 3 is a left elevation and a right elevation of the wheel trim front hub cover of Applicant's invention, both sides being identical.

FIG. 4 is a top view of the wheel trim front hub cover of Applicant's invention; and,

FIG. 5 is a bottom view of the wheel trim front hub cover of Applicant's invention.

1 Claim, 2 Drawing Sheets



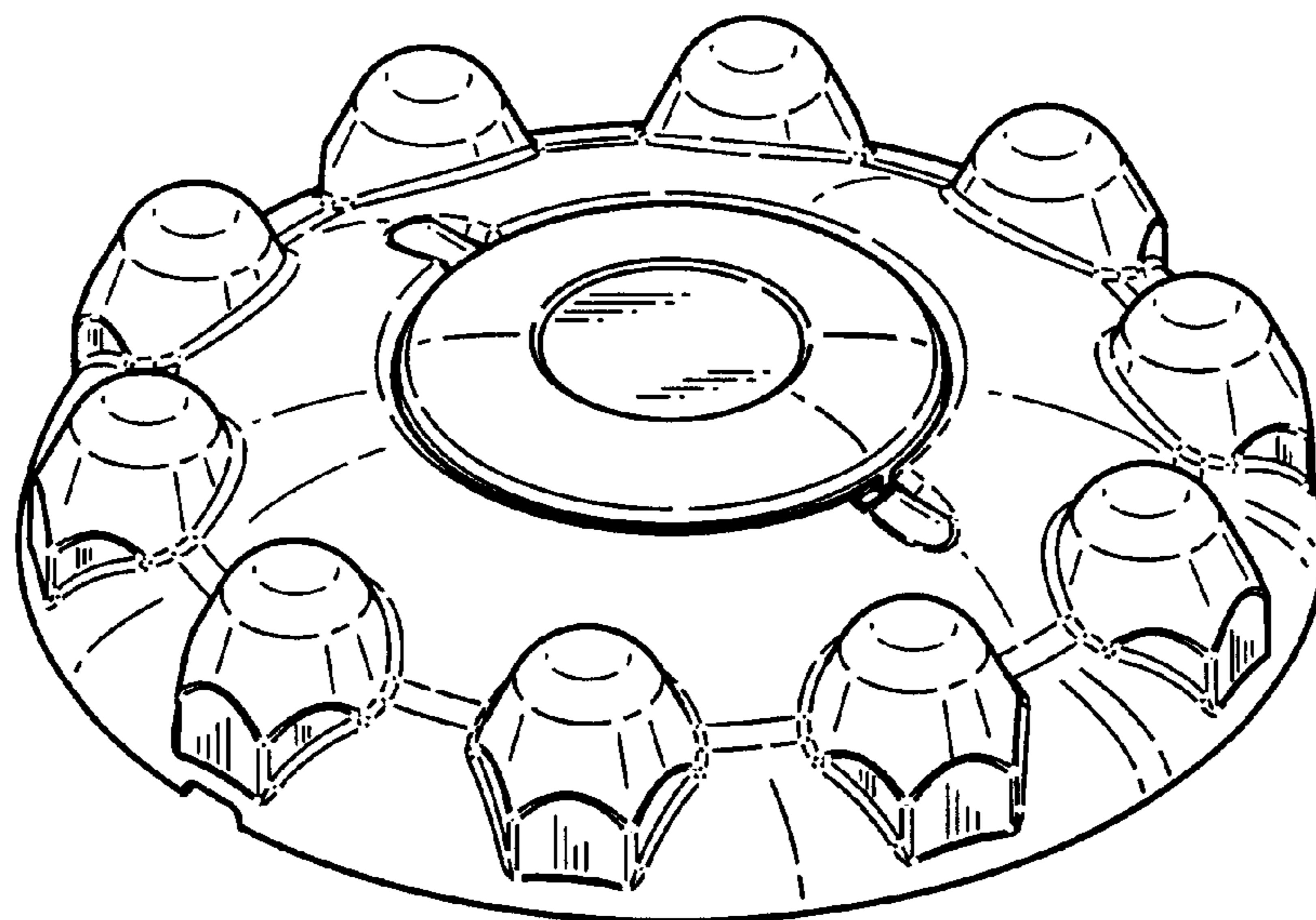


FIG. 1

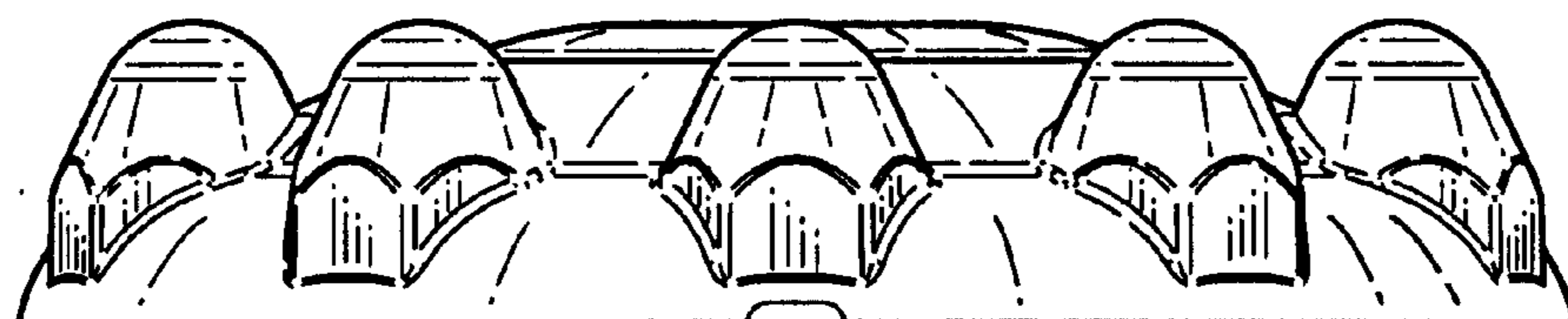


FIG. 2

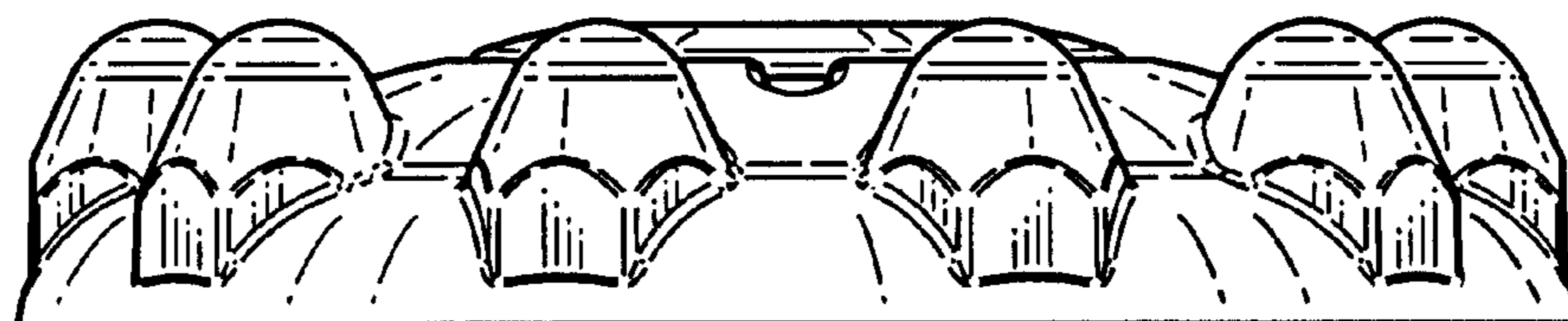


FIG. 3

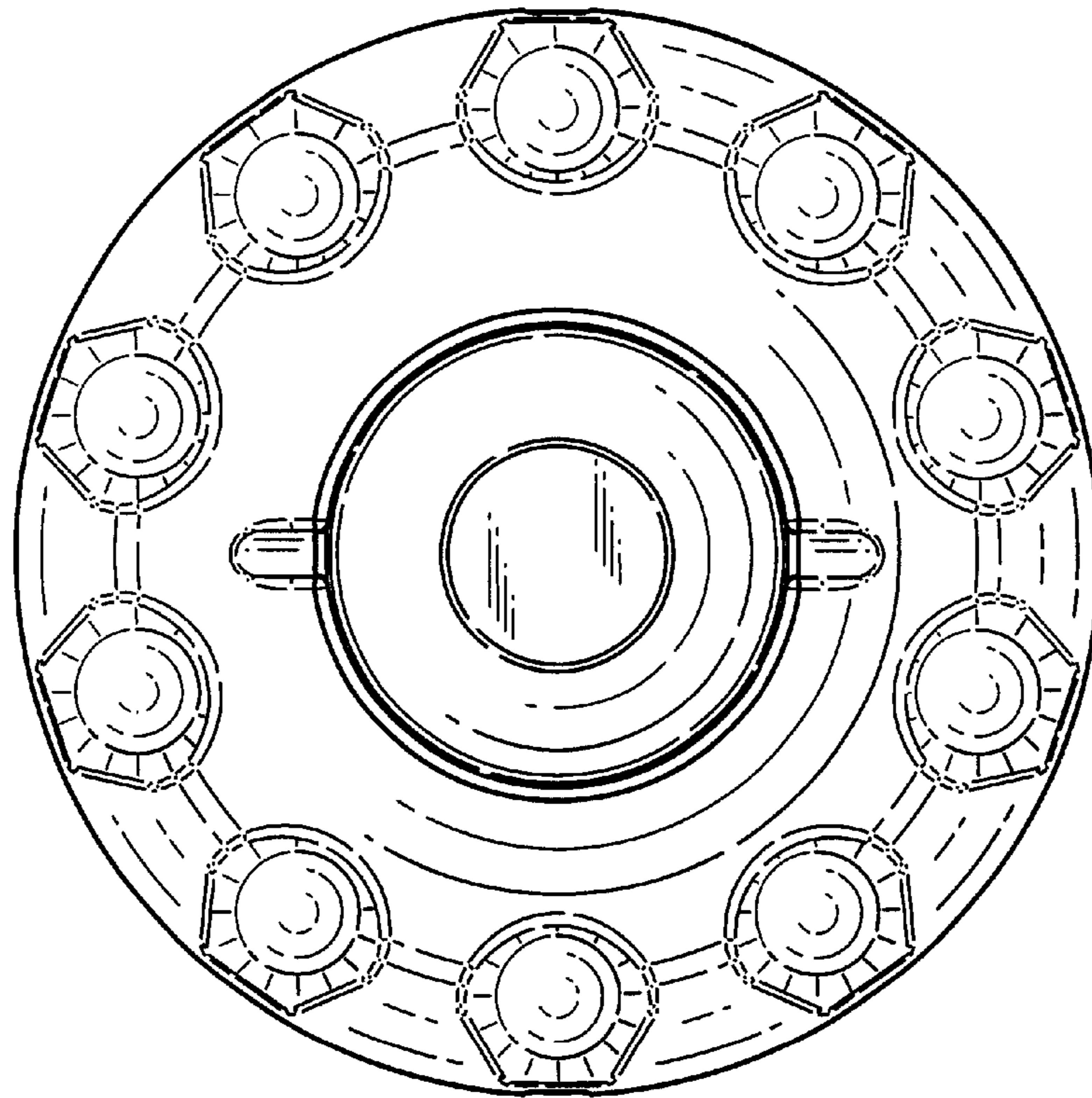


FIG. 4

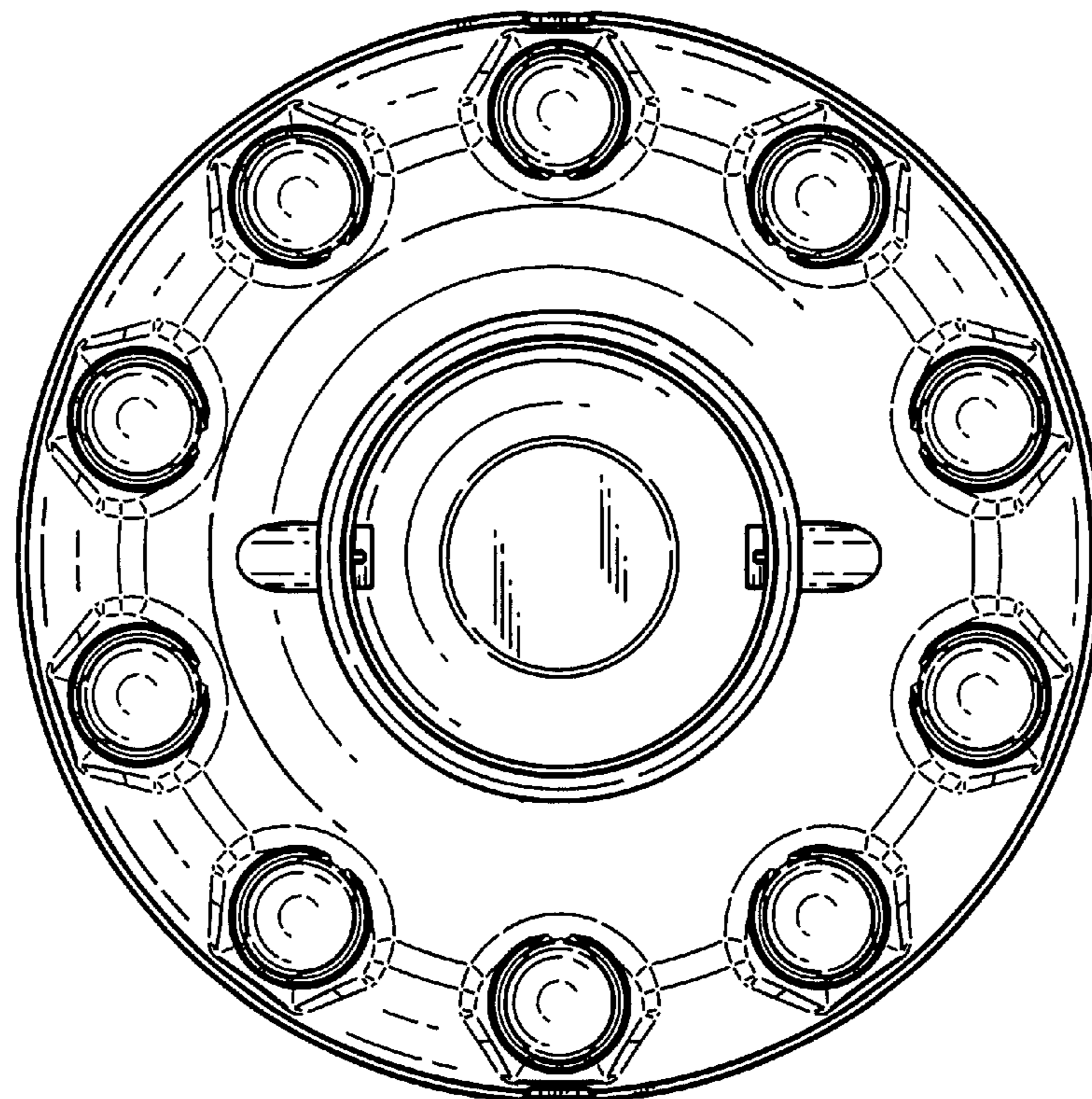


FIG. 5