



US00D536290S

(12) **United States Design Patent**
Yeh

(10) **Patent No.:** **US D536,290 S**

(45) **Date of Patent:** **** Feb. 6, 2007**

(54) **FOOTREST**

(76) Inventor: **Peter Yeh**, No. 10, Lane 808,
Chungshan Road, Hsinhua Chen, Tainan
Hsien (TW)

(**) Term: **14 Years**

(21) Appl. No.: **29/213,539**

(22) Filed: **Sep. 20, 2004**

(51) **LOC (8) Cl.** **12-16**

(52) **U.S. Cl.** **D12/203**

(58) **Field of Classification Search** D12/203,
D12/221; D6/582-586; 280/163; 15/215-217
See application file for complete search history.

(56) **References Cited**

U.S. PATENT DOCUMENTS

D57,791 S	*	5/1921	Stanwood	D12/203
D58,605 S	*	8/1921	Livingston	D32/47
1,457,152 A	*	5/1923	Disch et al.	280/169
D65,008 S	*	6/1924	Page	D12/203
D67,020 S	*	4/1925	Dunham	D12/203
D67,949 S	*	8/1925	Erskine	D12/203
D178,354 S	*	7/1956	Friedman	D12/203
D202,030 S	*	8/1965	Doyle	D12/190
D218,203 S	*	7/1970	Vevea	D12/203
D302,417 S	*	7/1989	Lehner et al.	D12/203
D340,904 S	*	11/1993	Bevier	D12/203
D353,071 S	*	12/1994	Roberts	D6/583
D358,572 S	*	5/1995	Thundercloud	D12/203
D370,452 S	*	6/1996	Beasley	D12/203

D381,948 S	*	8/1997	Schult	D12/203
D428,591 S	*	7/2000	Jeffries	D12/203

* cited by examiner

Primary Examiner—Caron D. Veynar

Assistant Examiner—Katrina A. Kile

(74) *Attorney, Agent, or Firm*—Alan D. Kamrath; Nikolai & Mersereau, P.A.

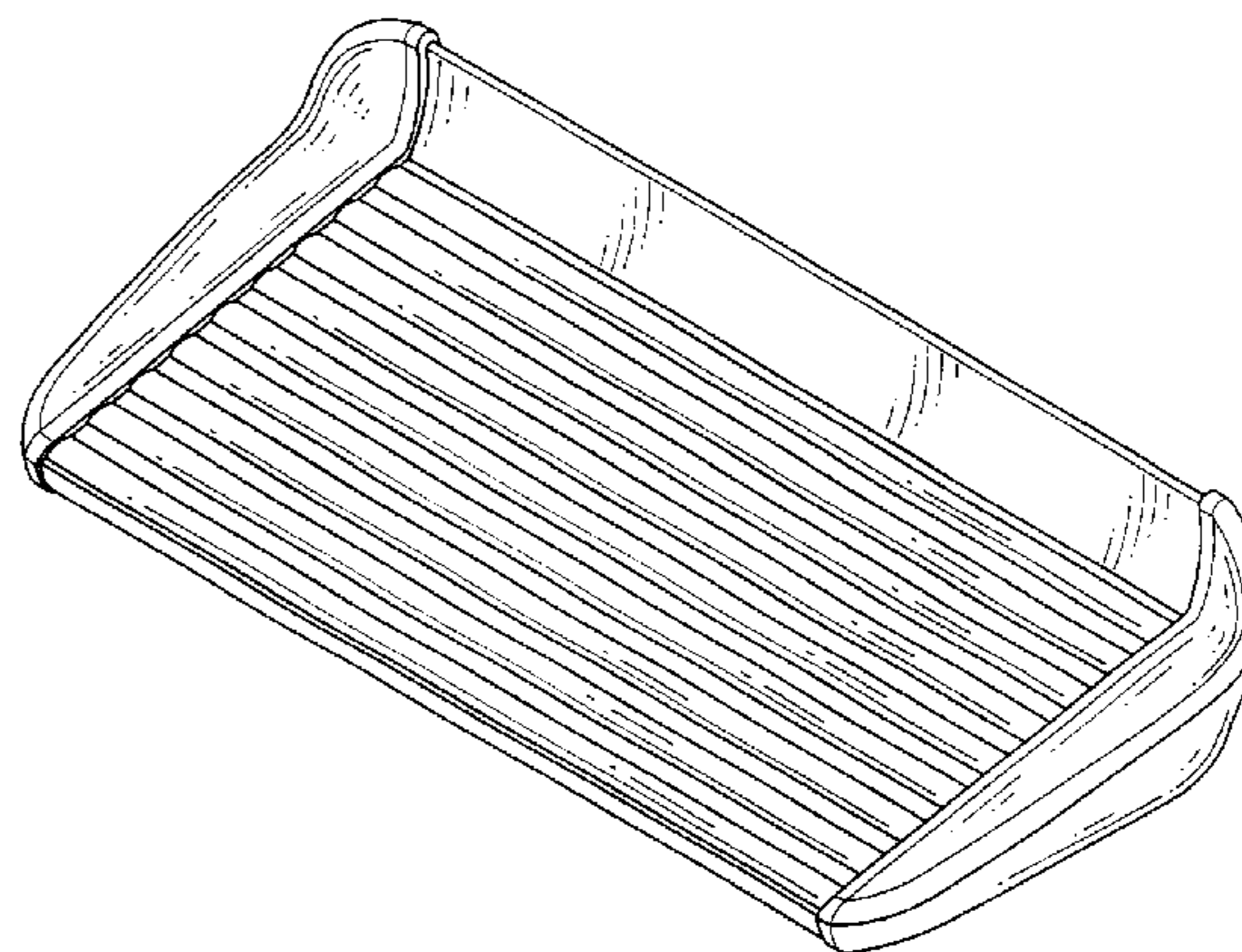
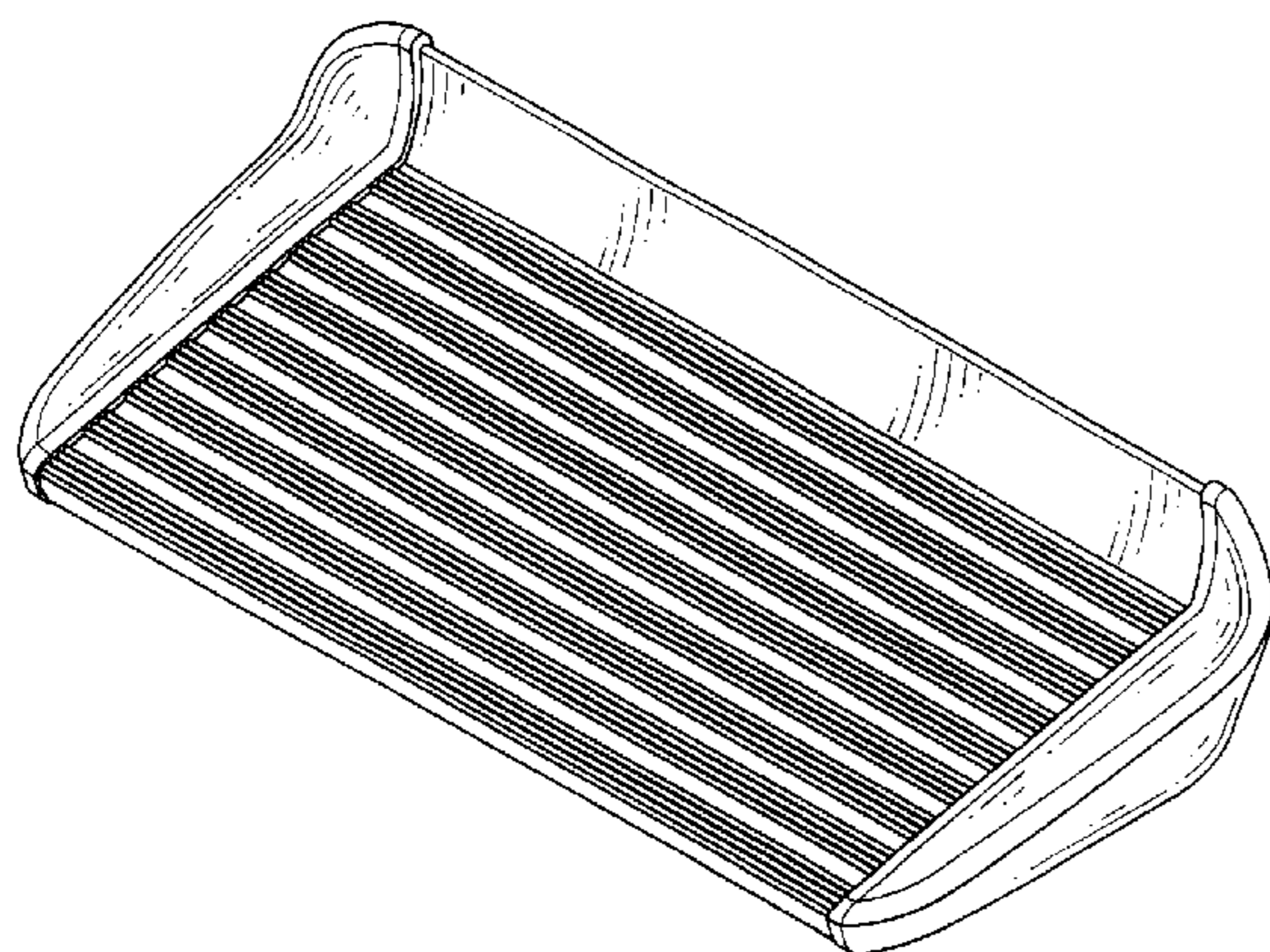
(57) **CLAIM**

The ornamental design for a footrest, as shown and described.

DESCRIPTION

FIG. 1 is a perspective view of a first embodiment of a footrest, showing my new design;
 FIG. 2 is a front view of the first embodiment;
 FIG. 3 is a rear view of the first embodiment;
 FIG. 4 is a left view of the first embodiment;
 FIG. 5 is a right view of the first embodiment;
 FIG. 6 is a top view of the first embodiment;
 FIG. 7 is a bottom view of the first embodiment;
 FIG. 8 is a perspective view of a second embodiment of a footrest, showing my new design;
 FIG. 9 is a front view of the second embodiment;
 FIG. 10 is a rear view of the second embodiment;
 FIG. 11 is a left view of the second embodiment;
 FIG. 12 is a right view of the second embodiment;
 FIG. 13 is a top view of the second embodiment; and,
 FIG. 14 is a bottom view of the second embodiment.

1 Claim, 6 Drawing Sheets



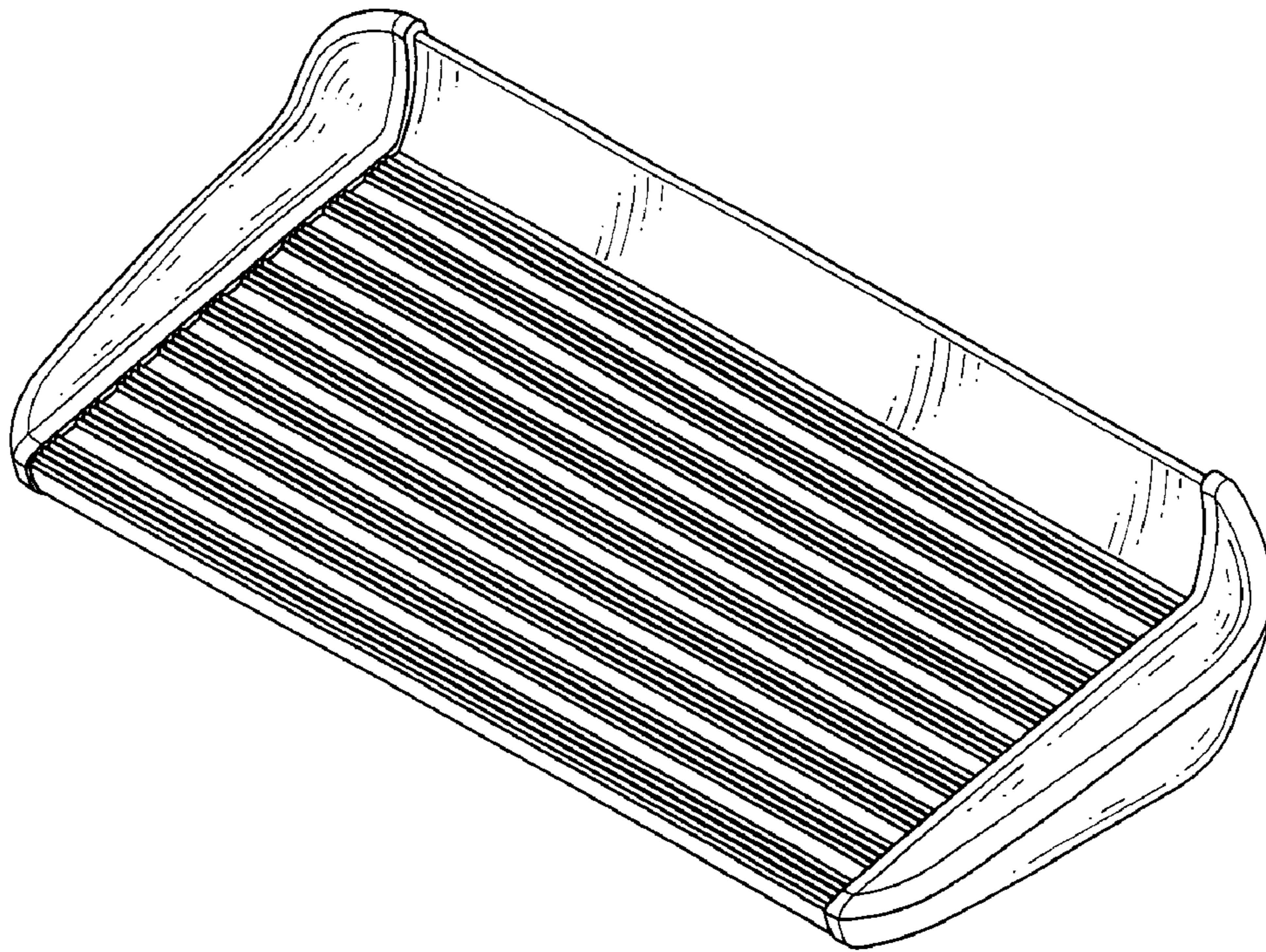


FIG.1

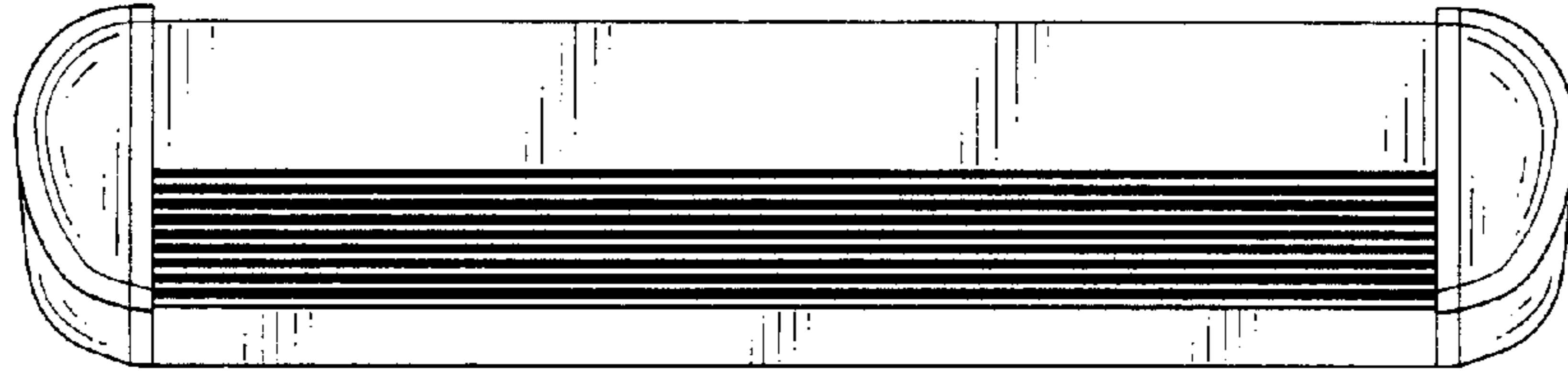


FIG. 2

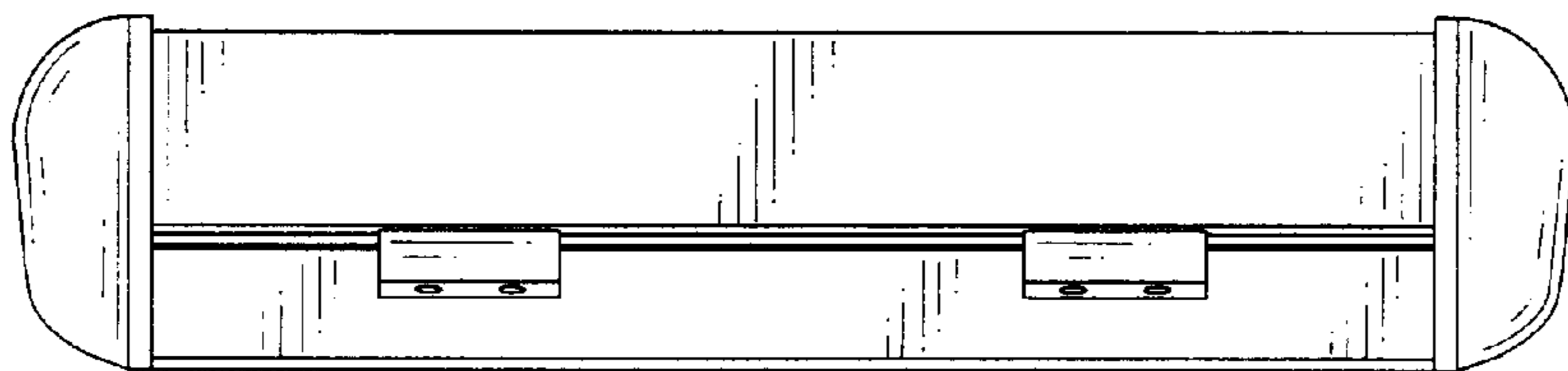


FIG. 3

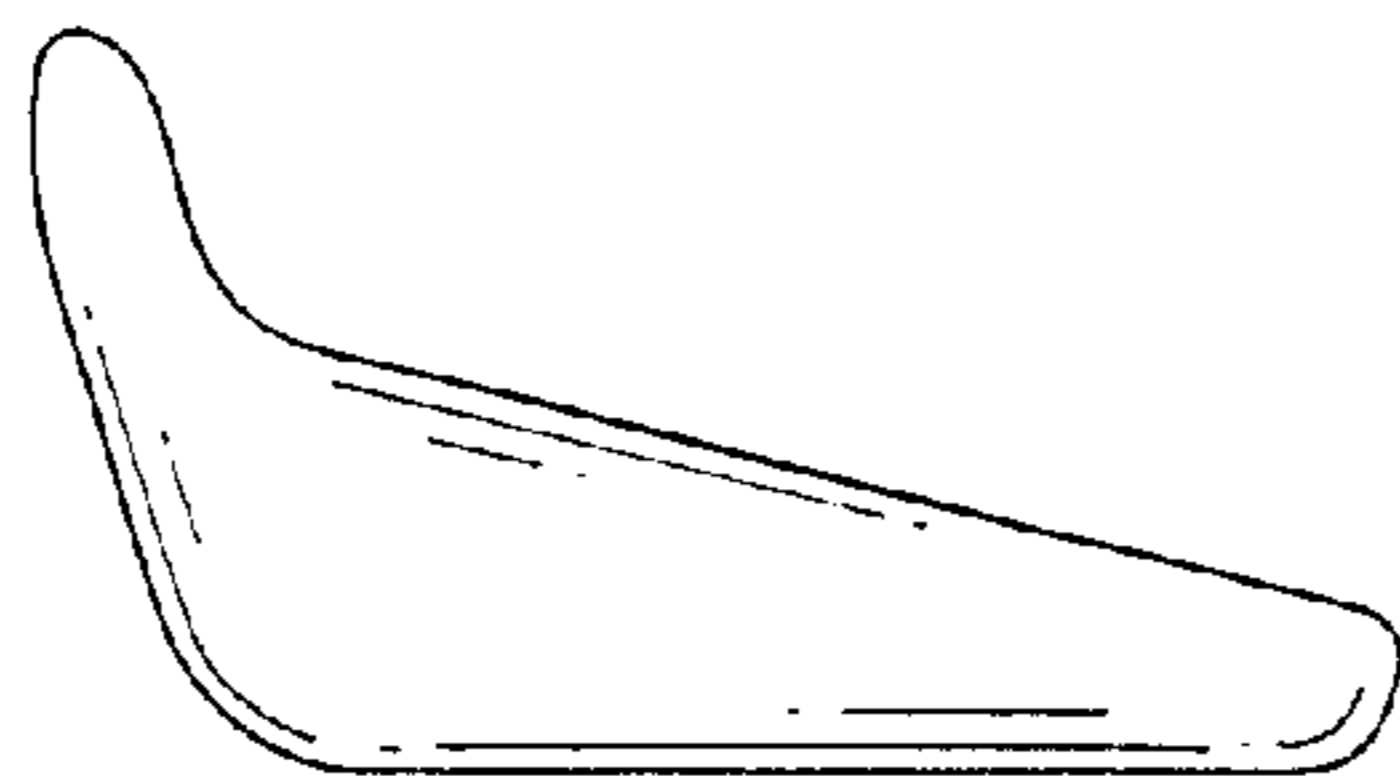


FIG. 4

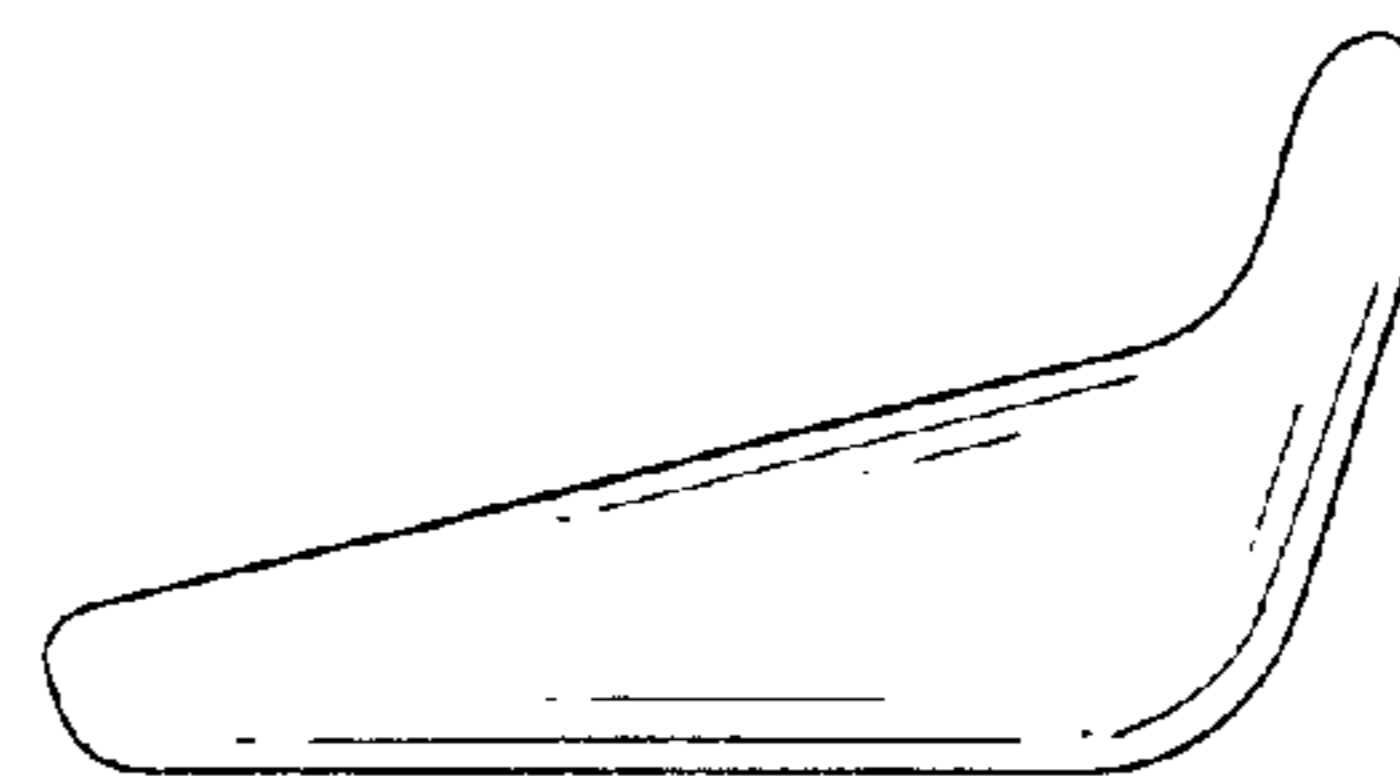


FIG. 5

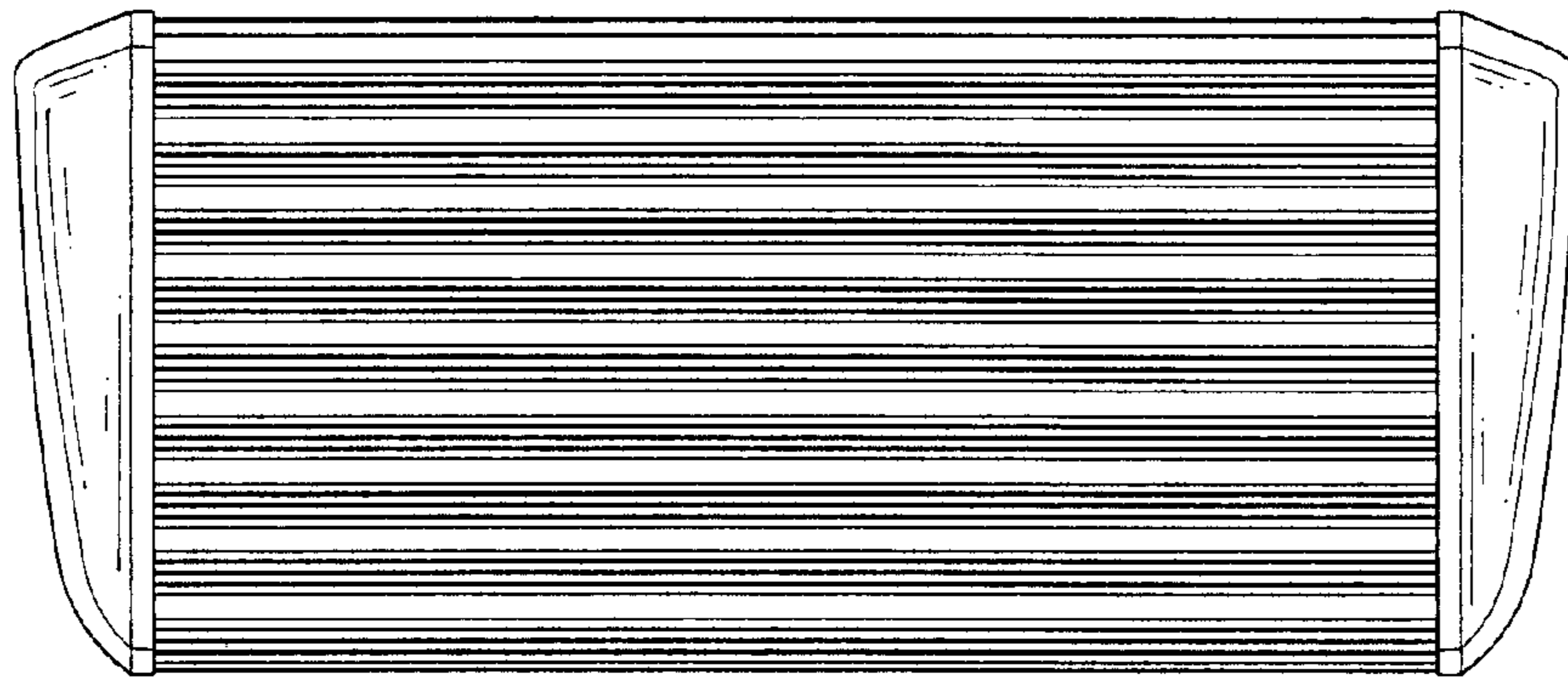


FIG. 6

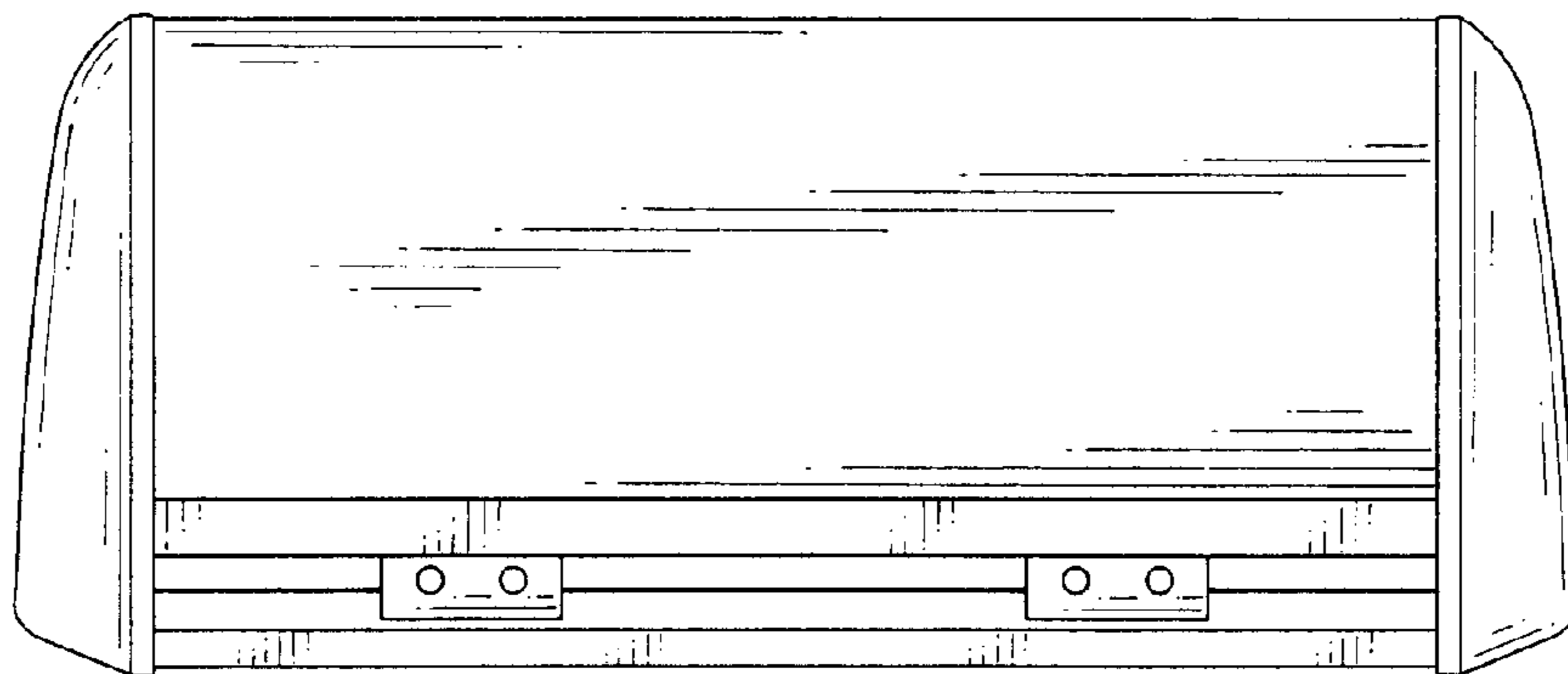


FIG. 7

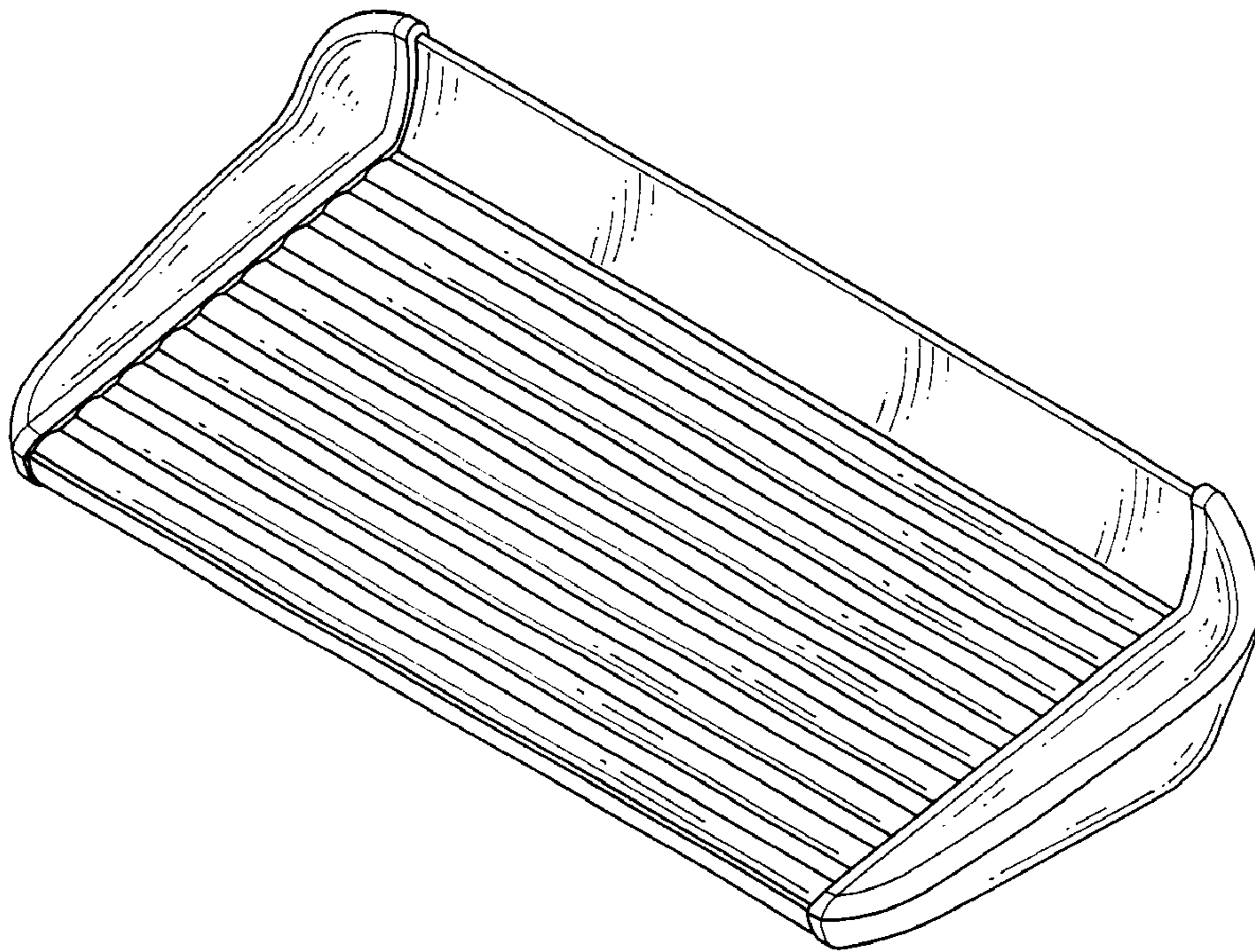


FIG.8

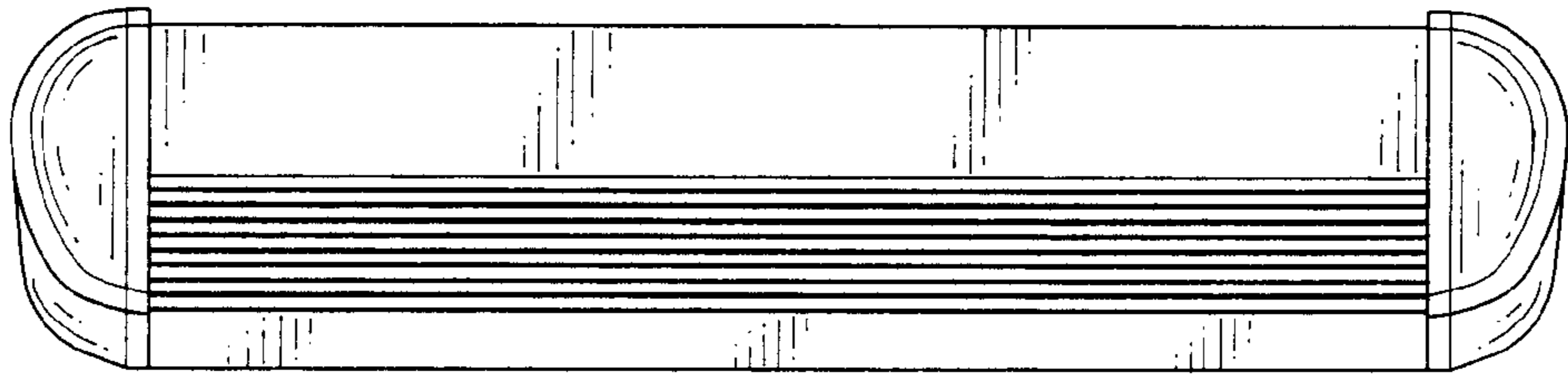


FIG. 9

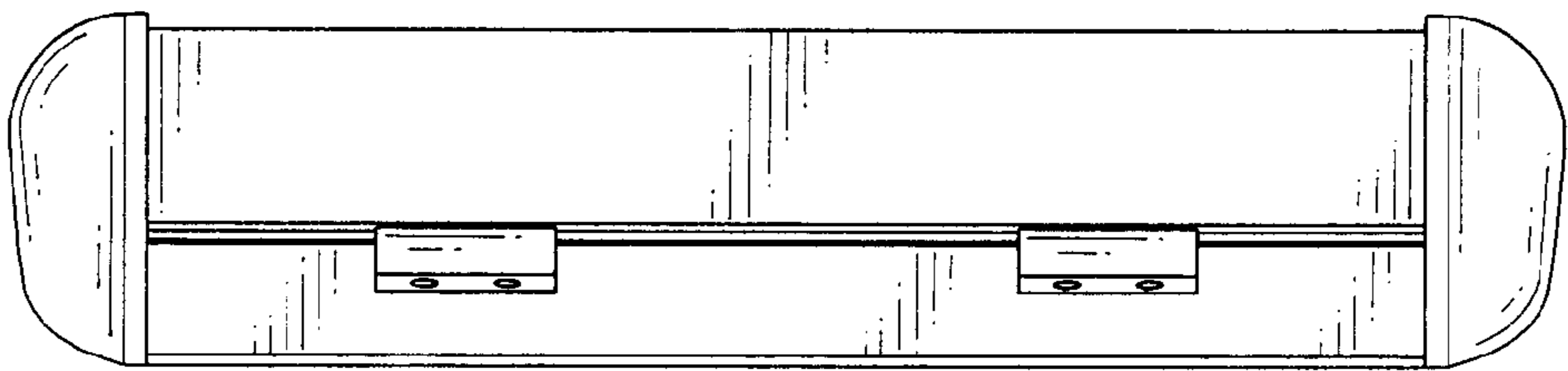


FIG. 10

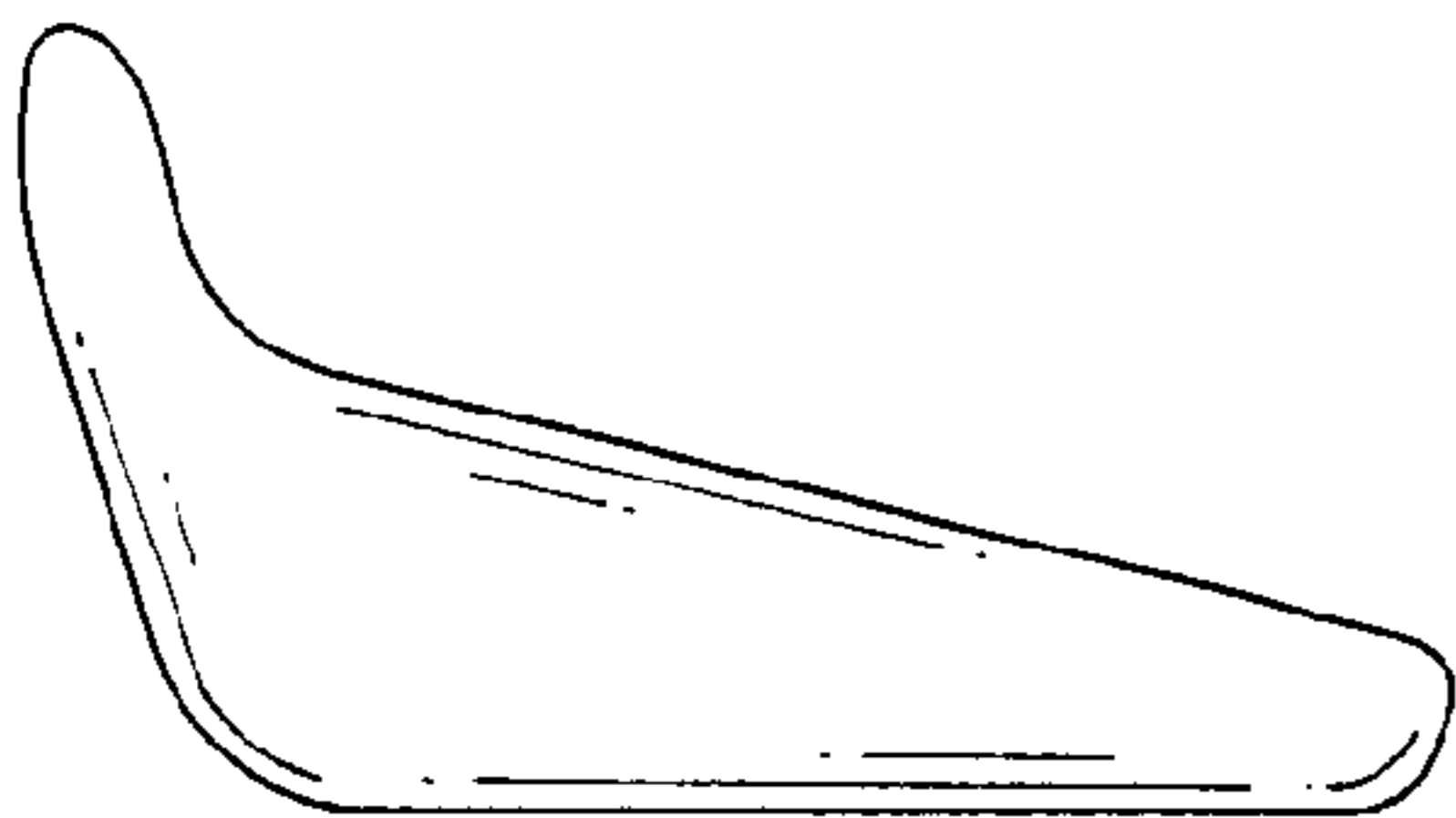


FIG. 11

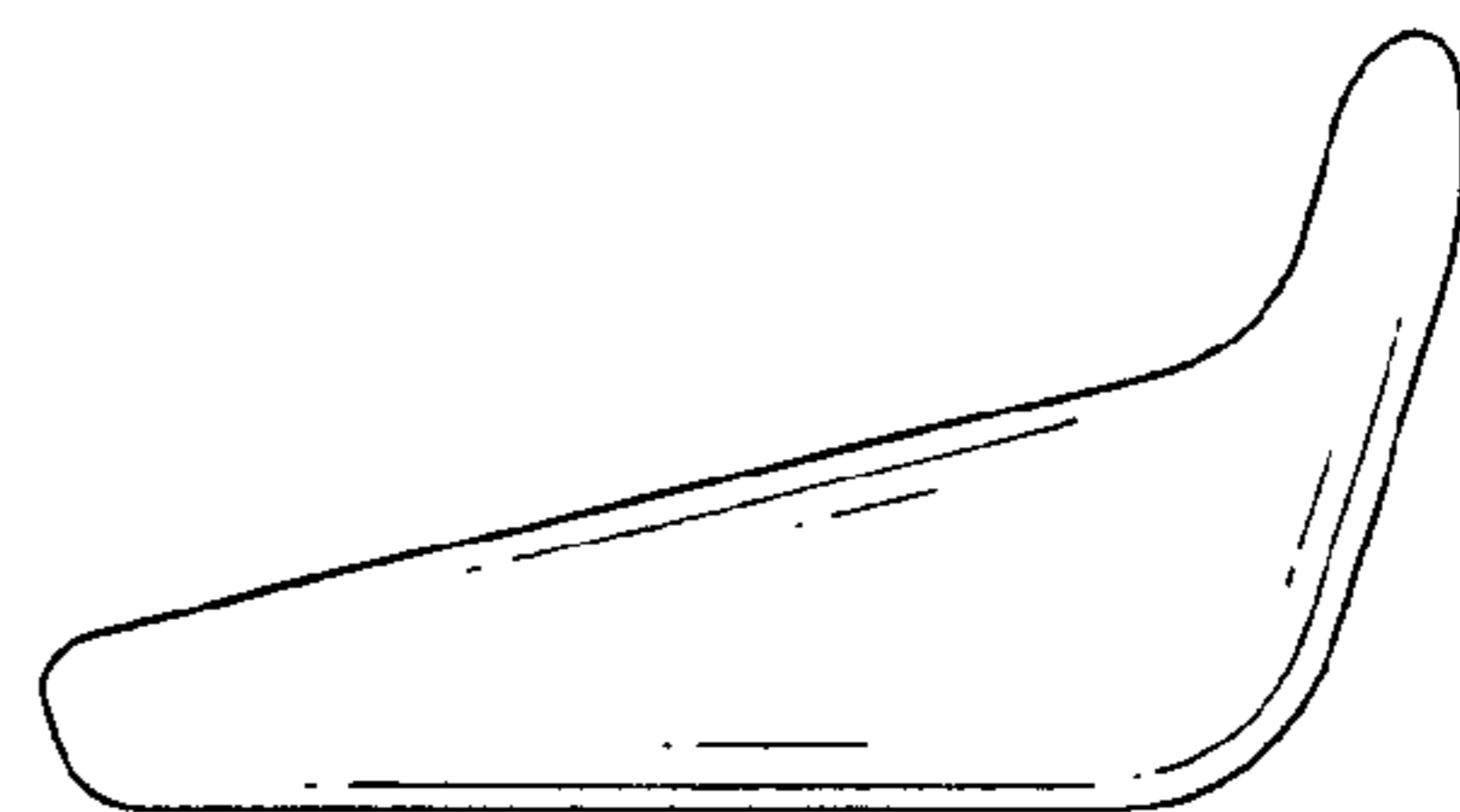


FIG. 12

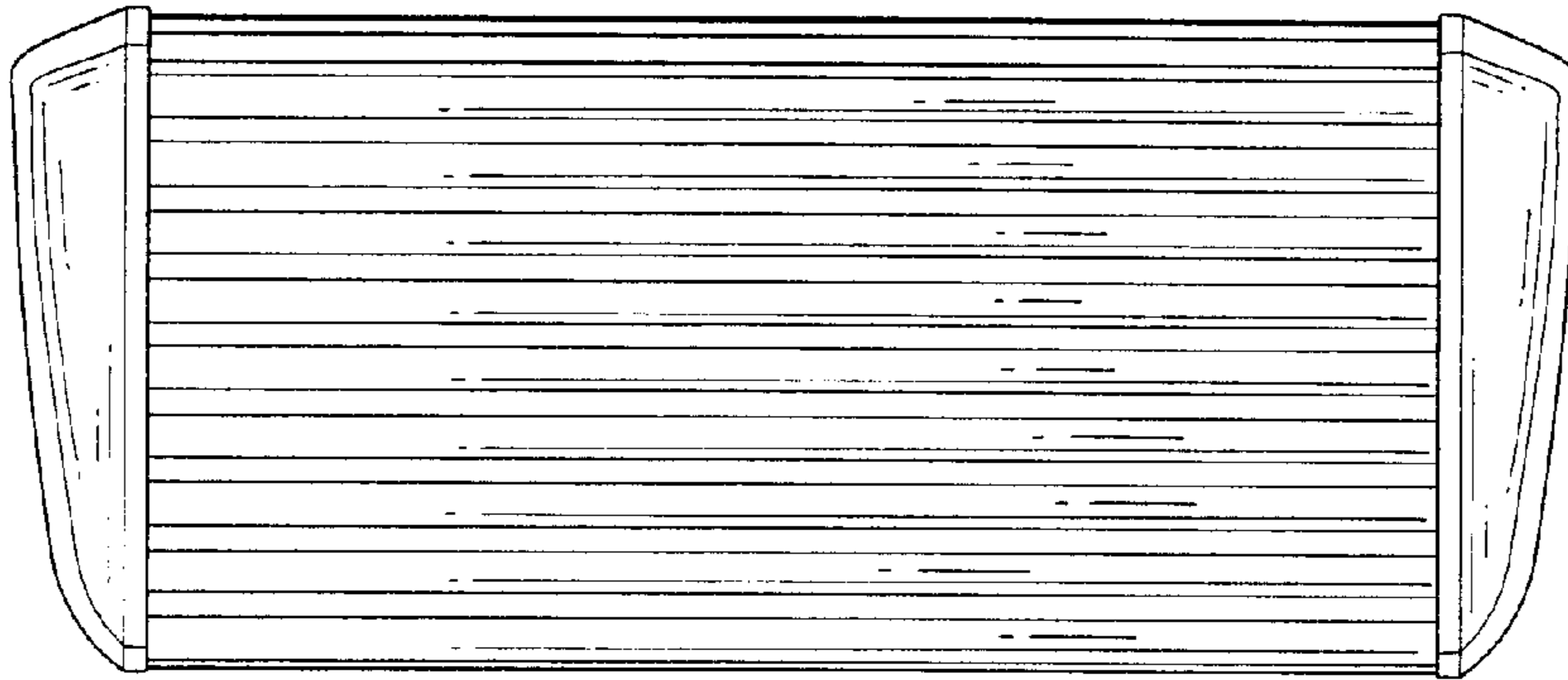


FIG. 13

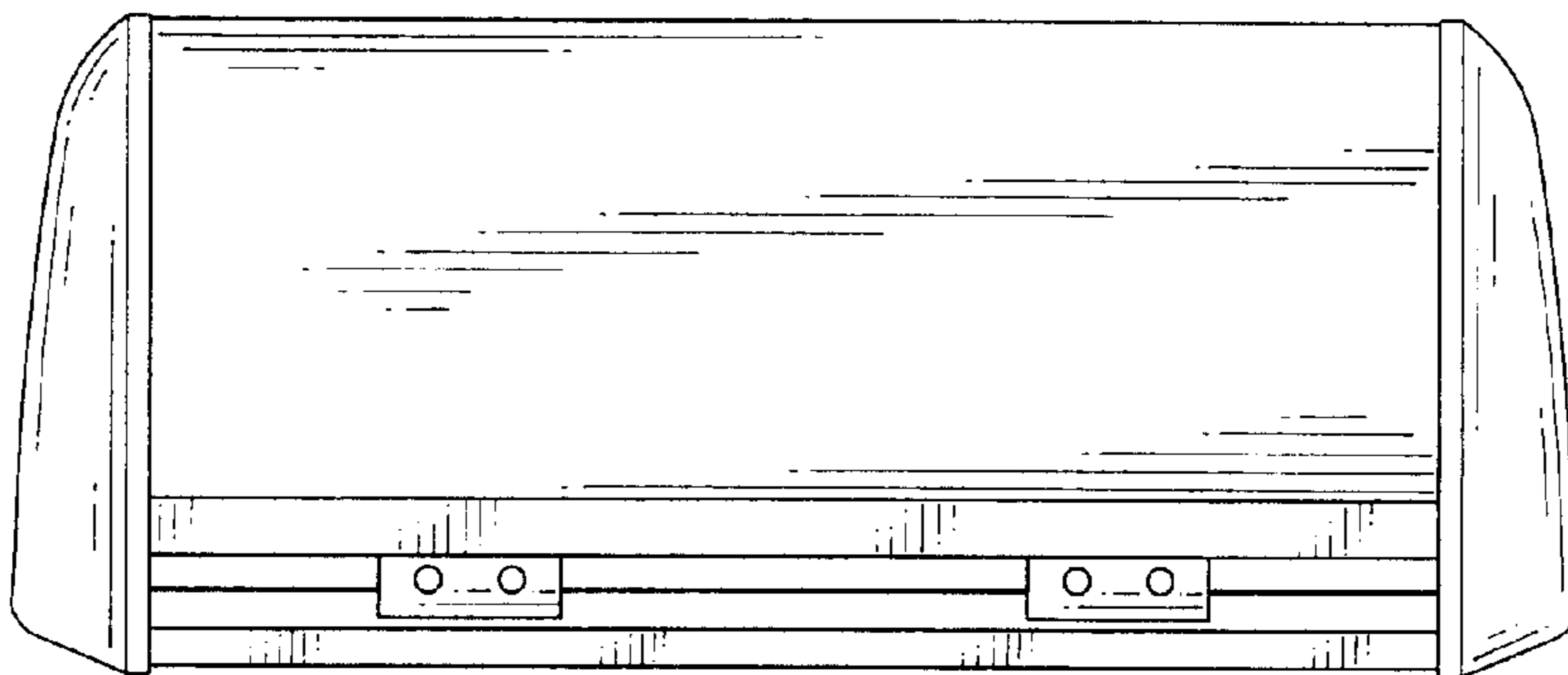


FIG. 14