



US00D536282S

(12) **United States Design Patent**  
**Masui**

(10) **Patent No.:** **US D536,282 S**

(45) **Date of Patent:** **\*\* Feb. 6, 2007**

(54) **REAR DERAILLEUR**

(75) Inventor: **Takuji Masui**, Osaka (JP)

(73) Assignee: **Shimano Inc.**, Osaka (JP)

(\*\*) Term: **14 Years**

(21) Appl. No.: **29/245,479**

(22) Filed: **Dec. 27, 2005**

(51) **LOC (8) Cl.** ..... **12-11**

(52) **U.S. Cl.** ..... **D12/124**

(58) **Field of Classification Search** ..... D12/111,  
D12/124; 474/80-82, 78

See application file for complete search history.

(56) **References Cited**

**PUBLICATIONS**

Shimano Inc.; 2003 Bicycle Components Trade Sales & Support Manual; Catalog; RD-M960, RD-M750, RD-M570, RD-M510, RD-MC20, RD-M340 and RD-CT95.

*Primary Examiner*—Freda Nunn

*Assistant Examiner*—Linda Brooks

(74) *Attorney, Agent, or Firm*—Global IP Counselors, LLP

(57) **CLAIM**

The ornamental design for a rear derailleur, as shown and described.

**DESCRIPTION**

FIG. 1 is a perspective view of the rear derailleur in accordance with my new design;

FIG. 2 is an outside elevational view of the rear derailleur in accordance with my new design of FIG. 1;

FIG. 3 is an inside elevational view of the rear derailleur in accordance with my new design of FIGS. 1 and 2;

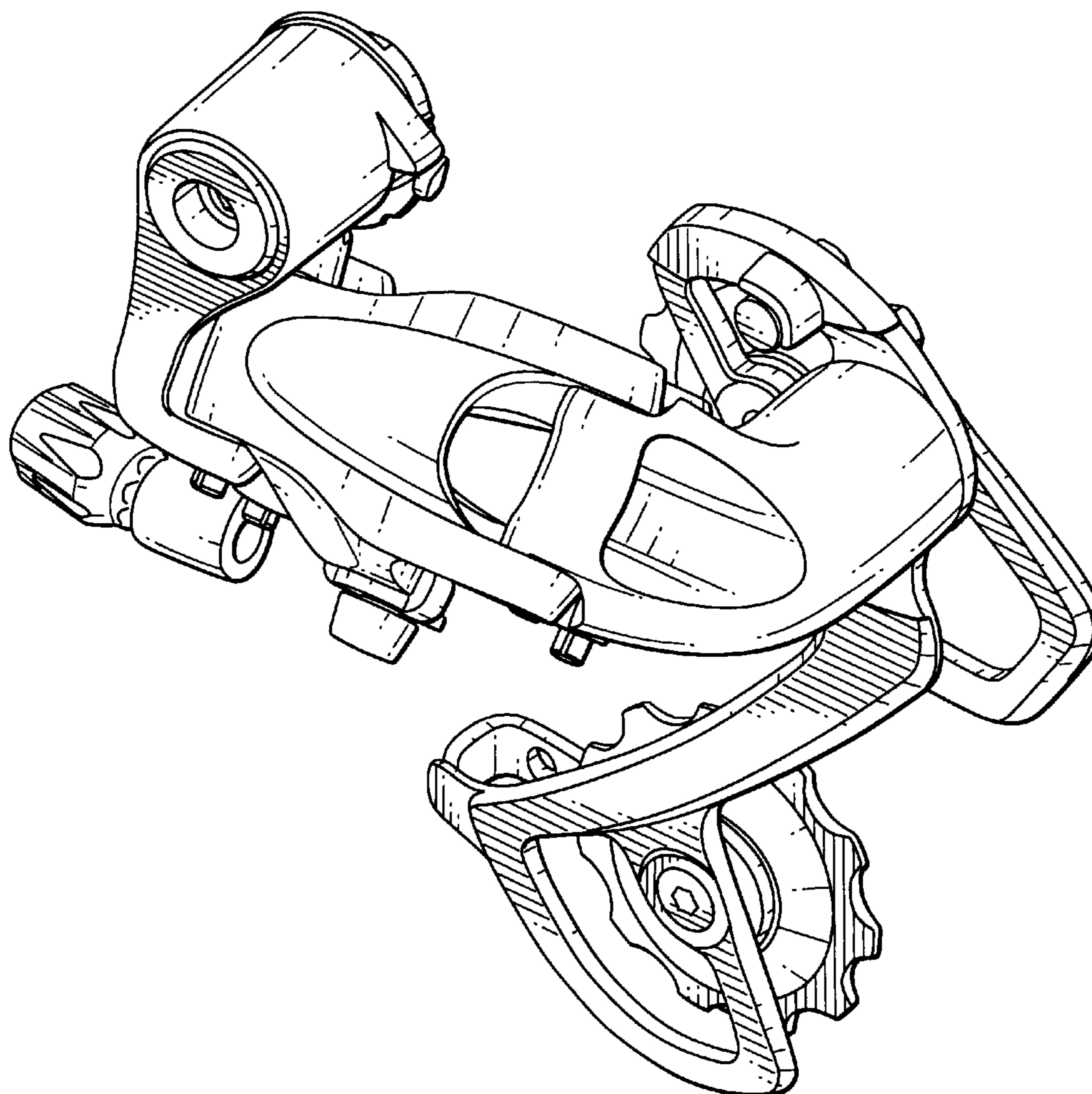
FIG. 4 is a rear side elevational view of the rear derailleur in accordance with my new design of FIGS. 1-3;

FIG. 5 is a front side elevational view of the rear derailleur in accordance with my new design of FIGS. 1-4;

FIG. 6 is a top plan view of the rear derailleur in accordance with my new design of FIGS. 1-5; and,

FIG. 7 is a bottom plan view of the rear derailleur in accordance with my new design of FIGS. 1-6.

**1 Claim, 6 Drawing Sheets**



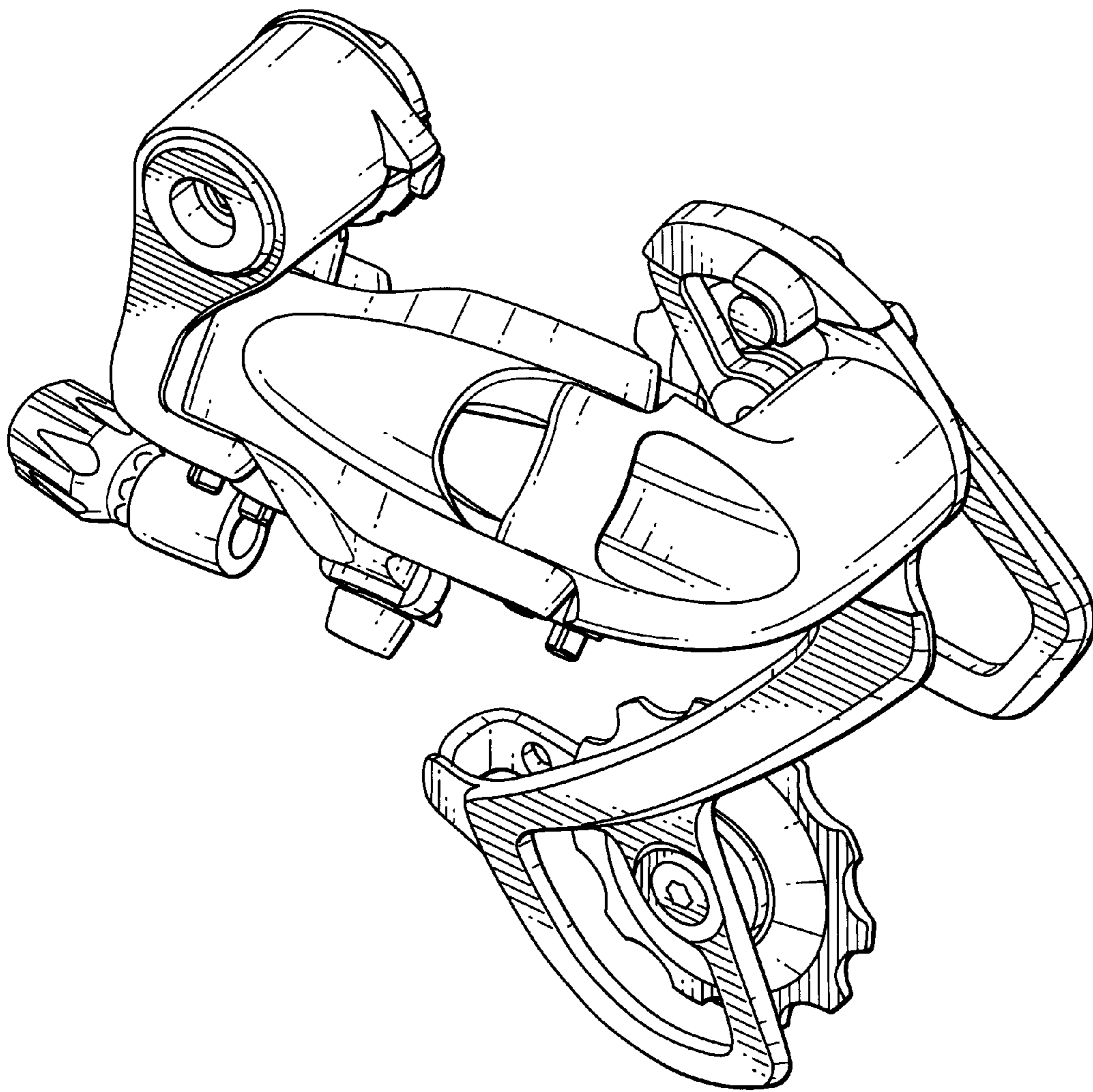


FIG. 1

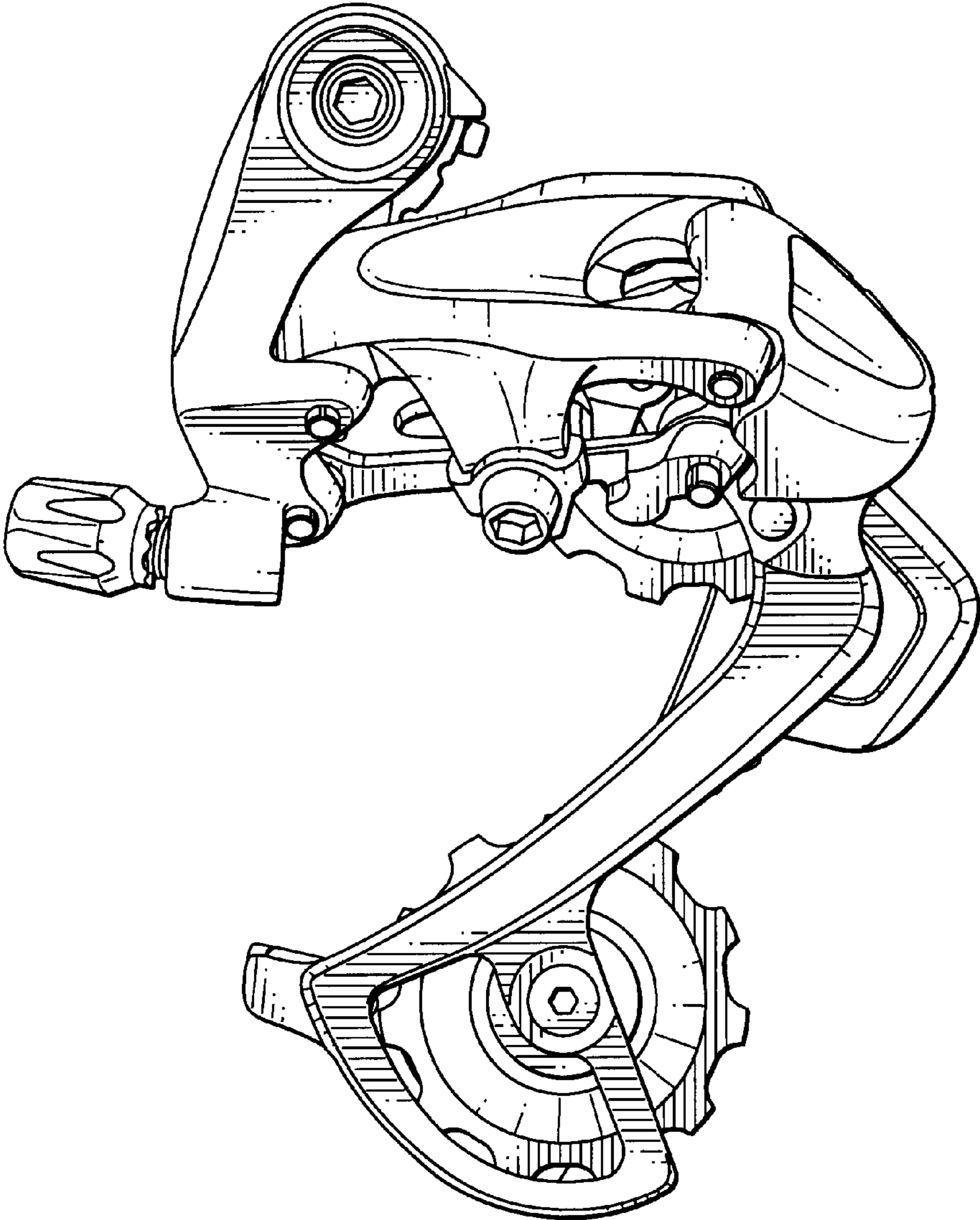


FIG. 2

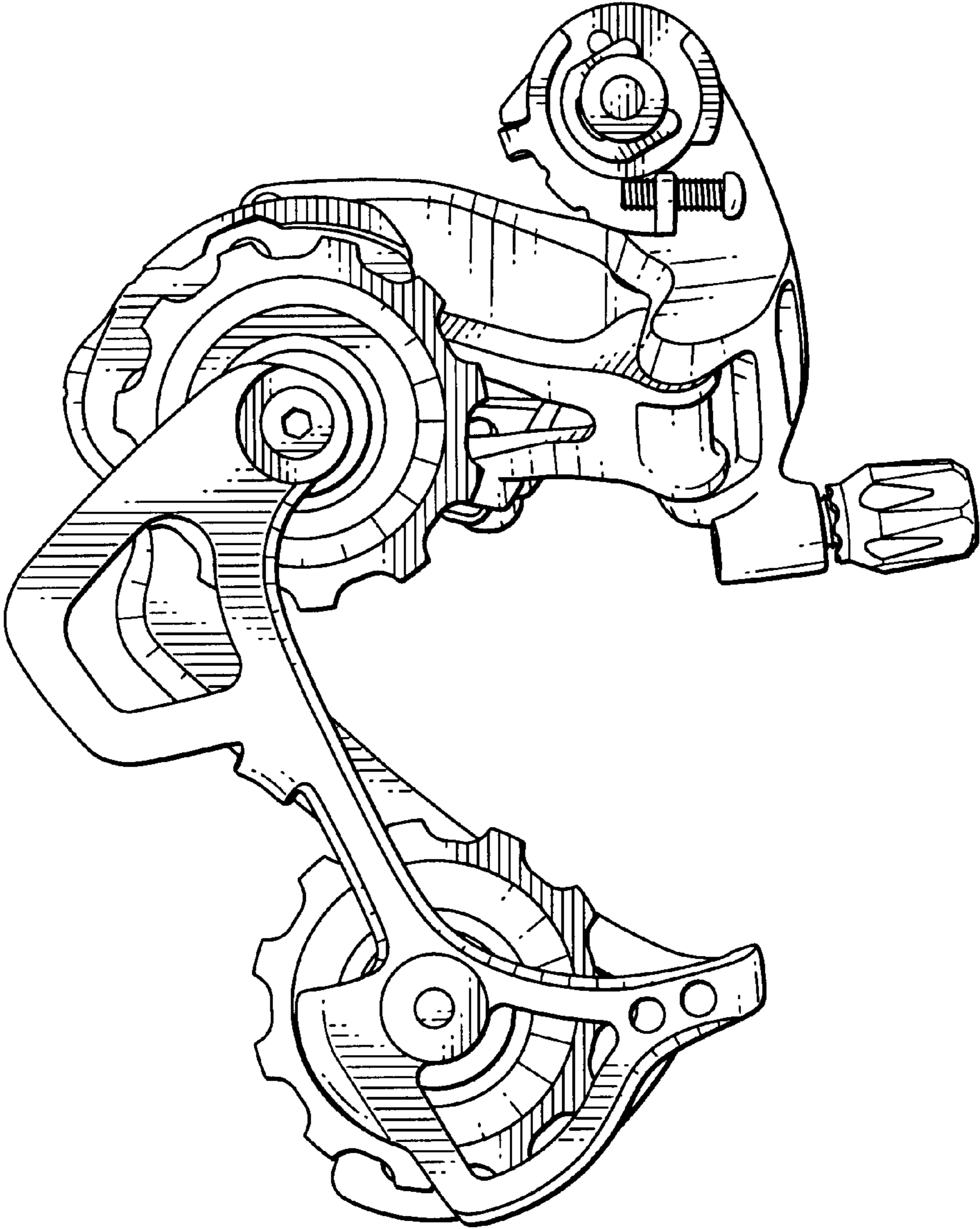


FIG. 3

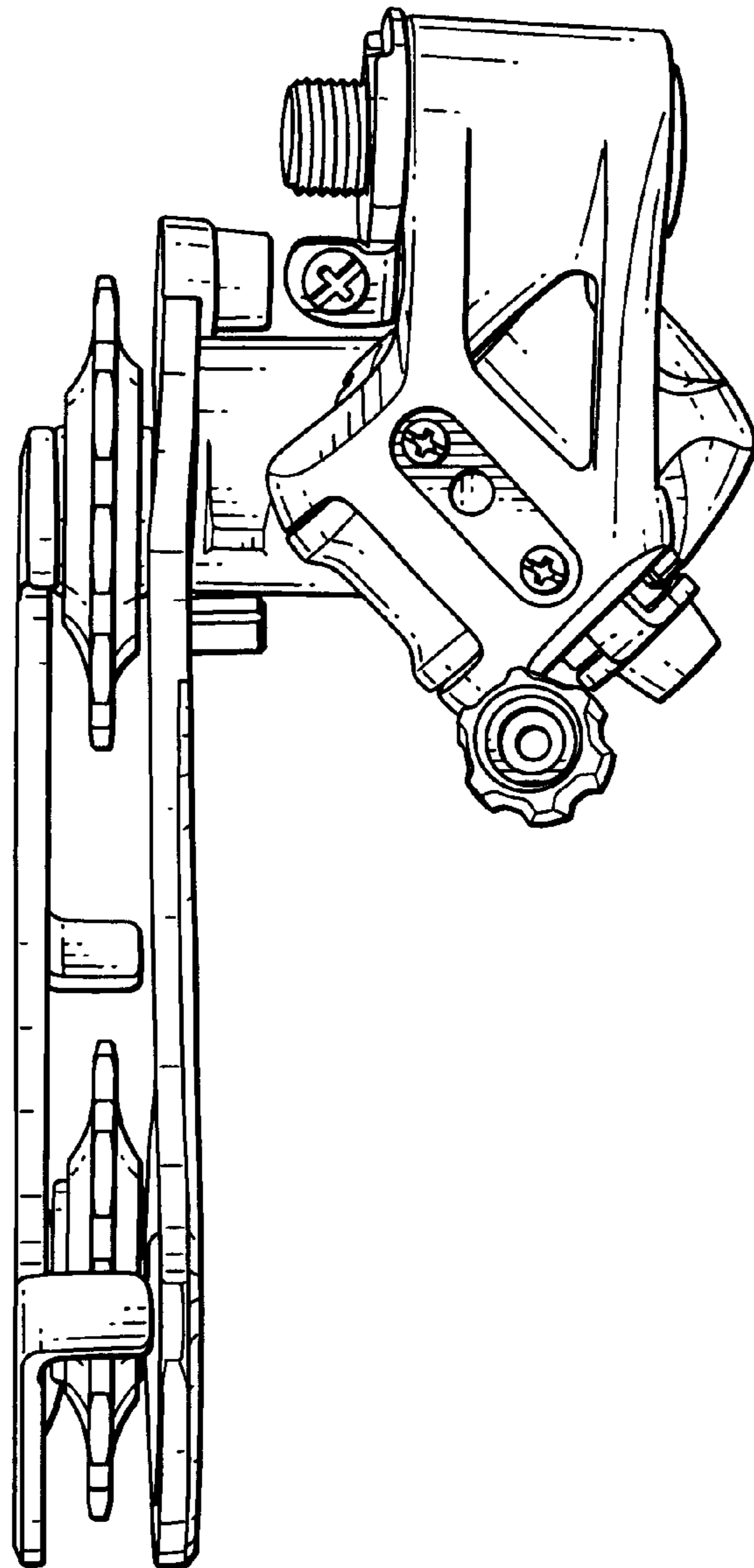


FIG. 4

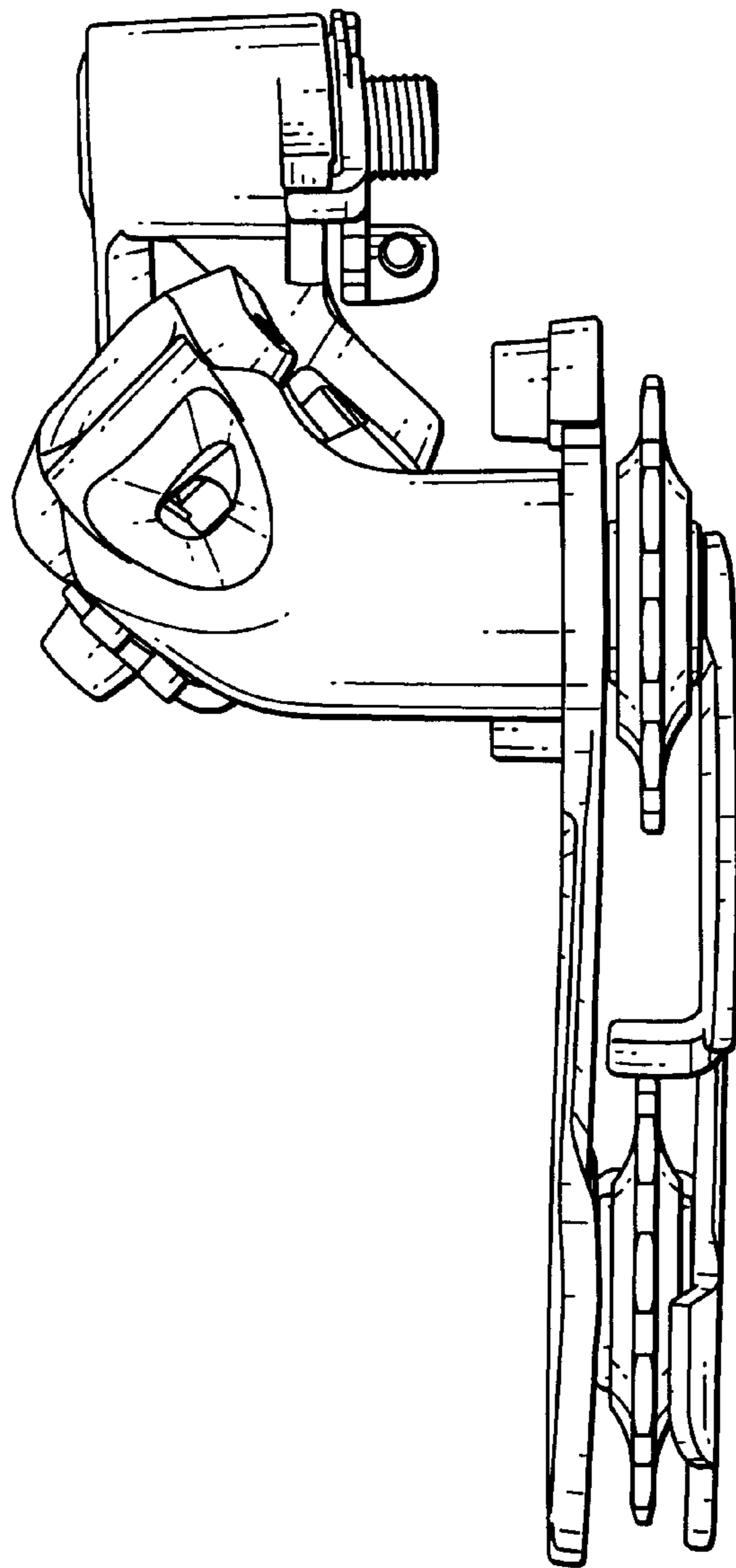


FIG. 5

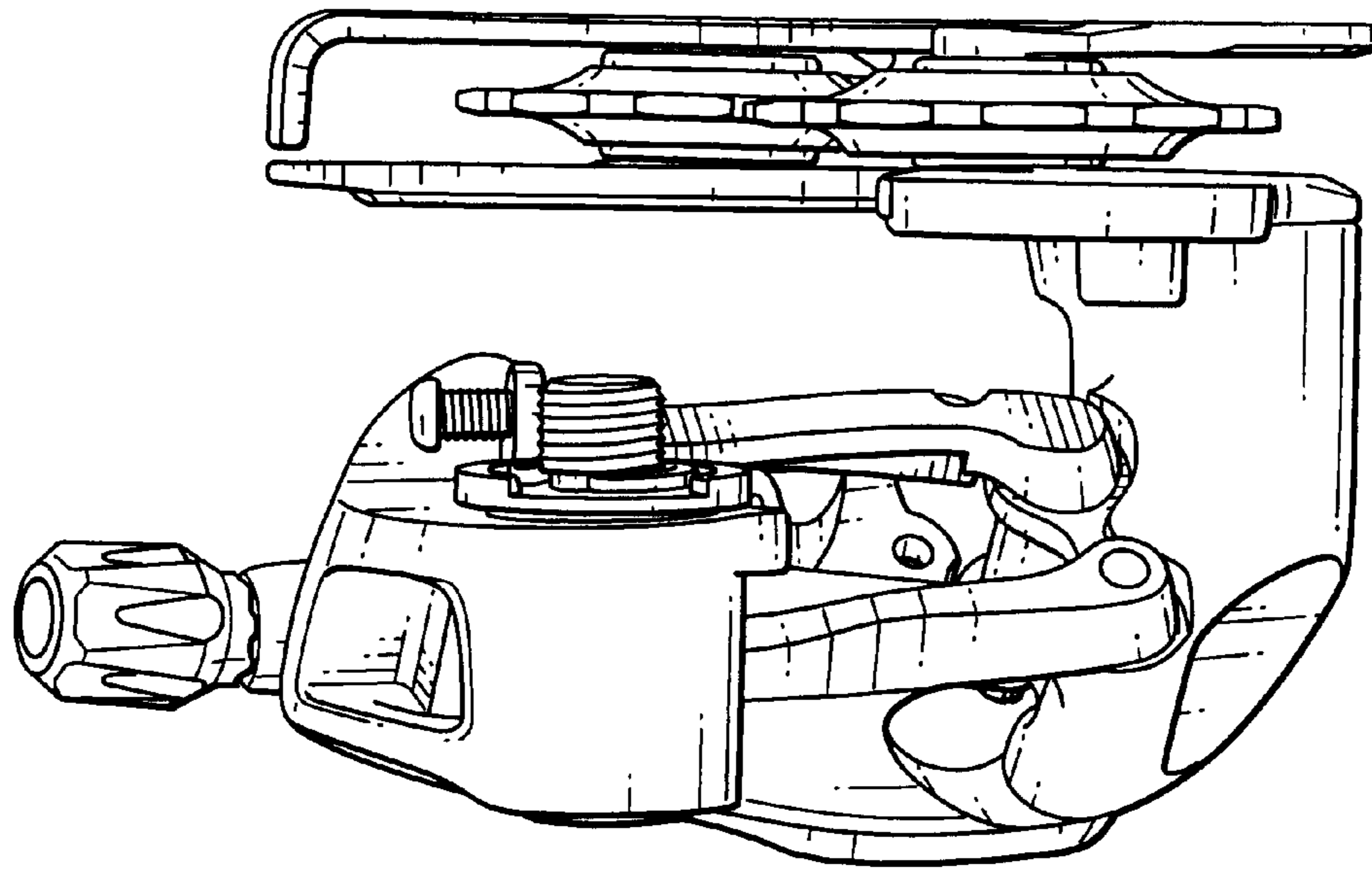


FIG. 6

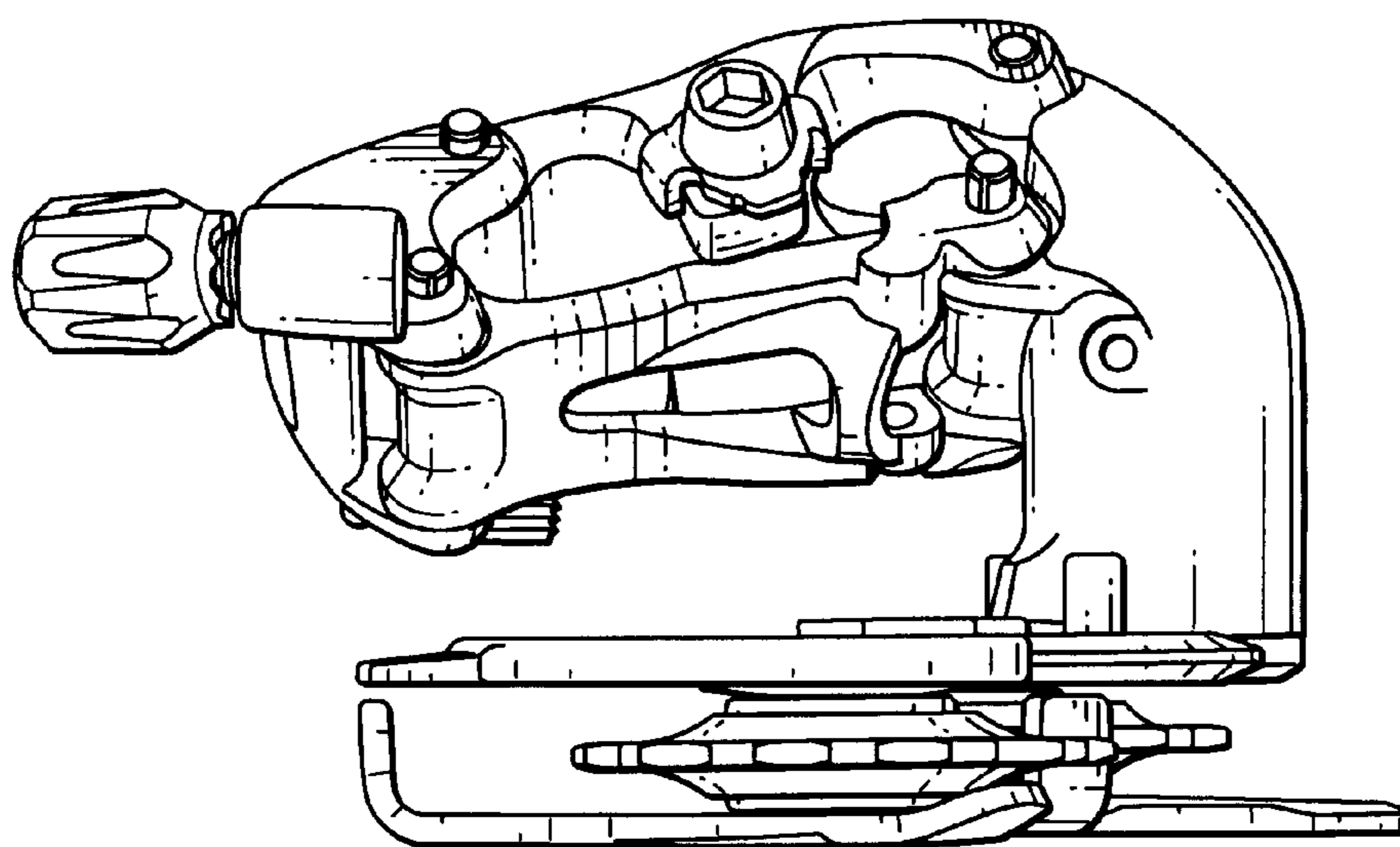


FIG. 7