



US00D536279S

(12) **United States Design Patent**  
**Grimm**

(10) **Patent No.:** **US D536,279 S**

(45) **Date of Patent:** **\*\* Feb. 6, 2007**

(54) **BUCKLE MEMBER**

(75) Inventor: **Michael B. Grimm**, Evanston, IL (US)

(73) Assignee: **Illinois Tool Works Inc**, Glenview, IL (US)

(\*\*) Term: **14 Years**

(21) Appl. No.: **29/261,421**

(22) Filed: **Jun. 14, 2006**

(51) **LOC (8) Cl.** ..... **02-07**

(52) **U.S. Cl.** ..... **D11/216**

(58) **Field of Classification Search** ..... D11/200,  
D11/201, 208–210, 212–218, 220, 230–234,  
D11/236–237, 86–87, 94; 63/15.2, 15; 24/307,  
24/625, 616, 200, 196, 637, 171, 169, 112,  
24/614, 615

See application file for complete search history.

(56) **References Cited**

**U.S. PATENT DOCUMENTS**

D381,936 S \* 8/1997 Anscher ..... D11/216

D405,723 S \* 2/1999 Anscher ..... D11/216

D405,724 S \* 2/1999 Anscher ..... D11/216

D502,125 S \* 2/2005 Yoshiguchi ..... D11/216

\* cited by examiner

*Primary Examiner*—Ralf Seifert

(74) *Attorney, Agent, or Firm*—Mark W. Croll; Paul F. Donovan

(57) **CLAIM**

The ornamental design for a buckle member, as shown and described herein.

**DESCRIPTION**

FIG. 1 is a perspective view of a buckle member showing the new design;

FIG. 2 is a top plan view thereof;

FIG. 3 is a bottom plan view thereof;

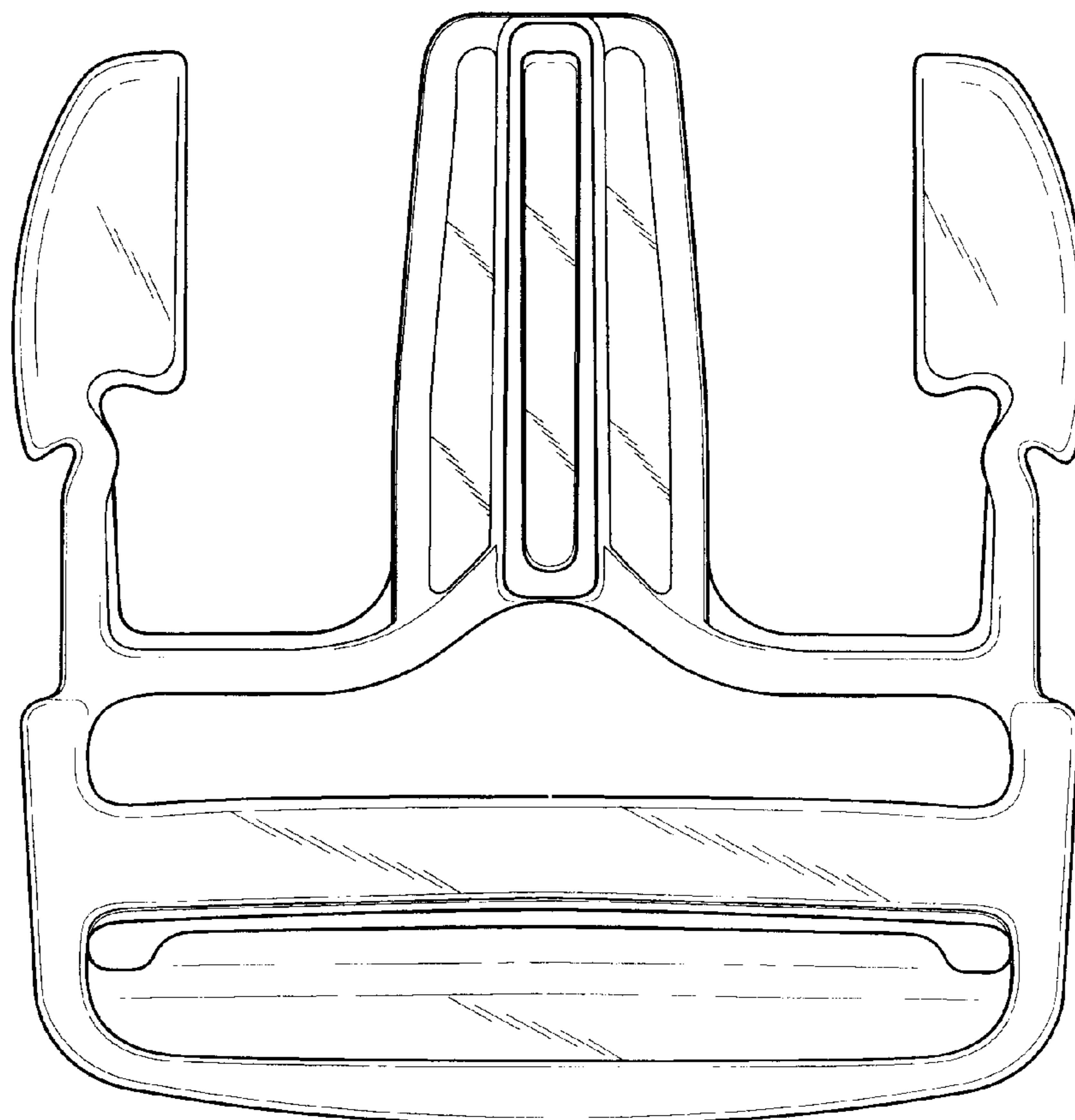
FIG. 4 is a right side elevational view thereof;

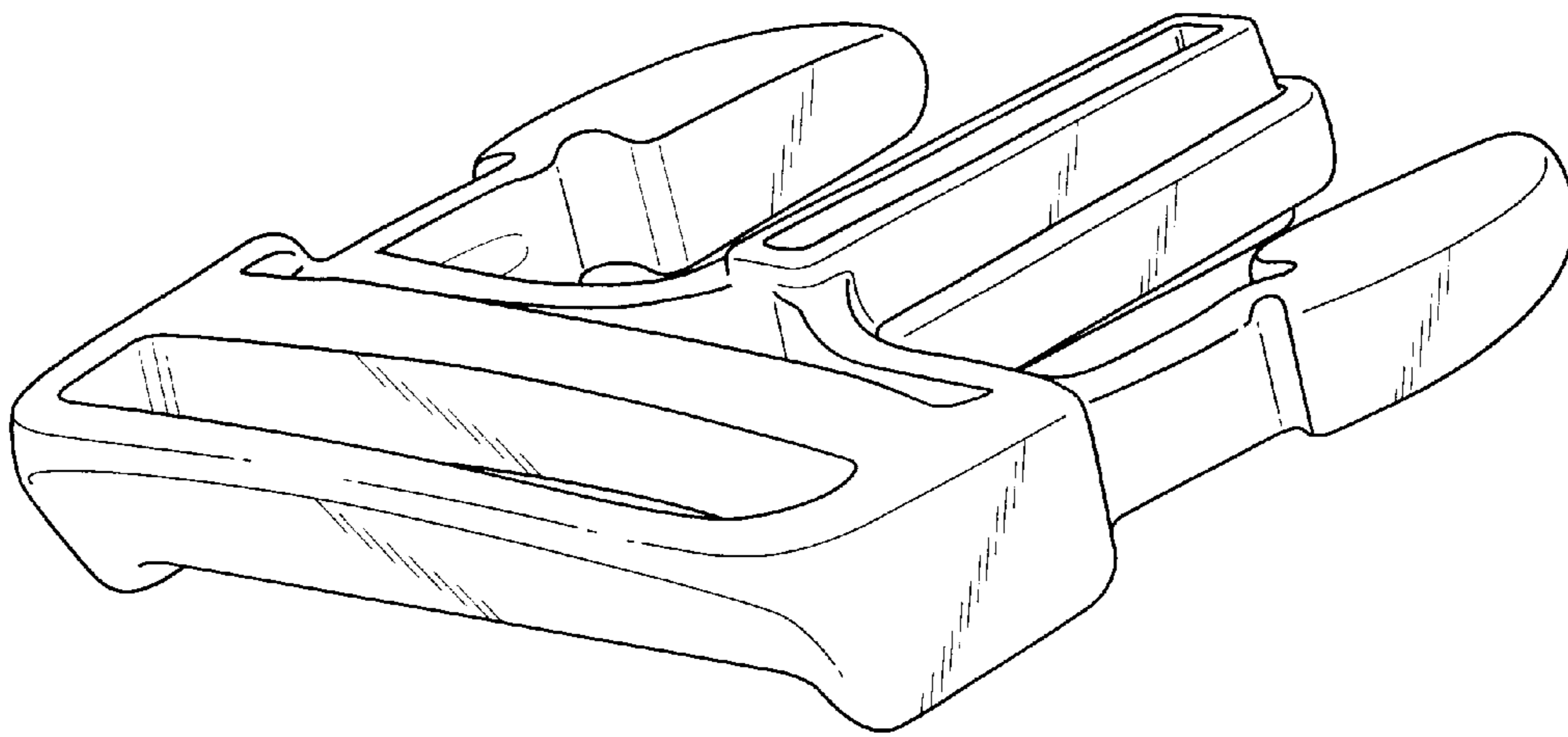
FIG. 5 is a left side elevational view thereof;

FIG. 6 is a front end elevational view thereof; and,

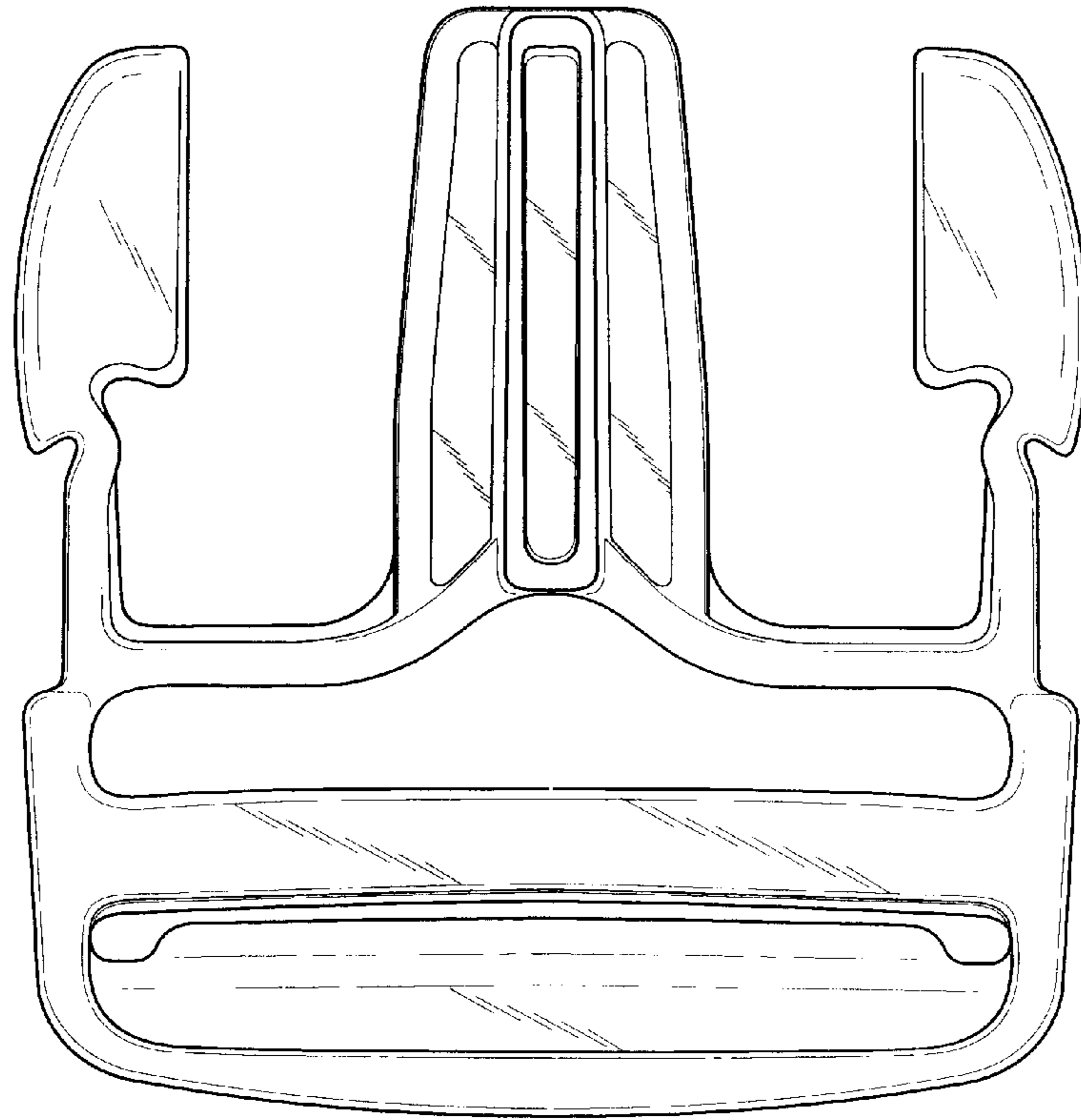
FIG. 7 is a back end elevational view thereof.

**1 Claim, 5 Drawing Sheets**

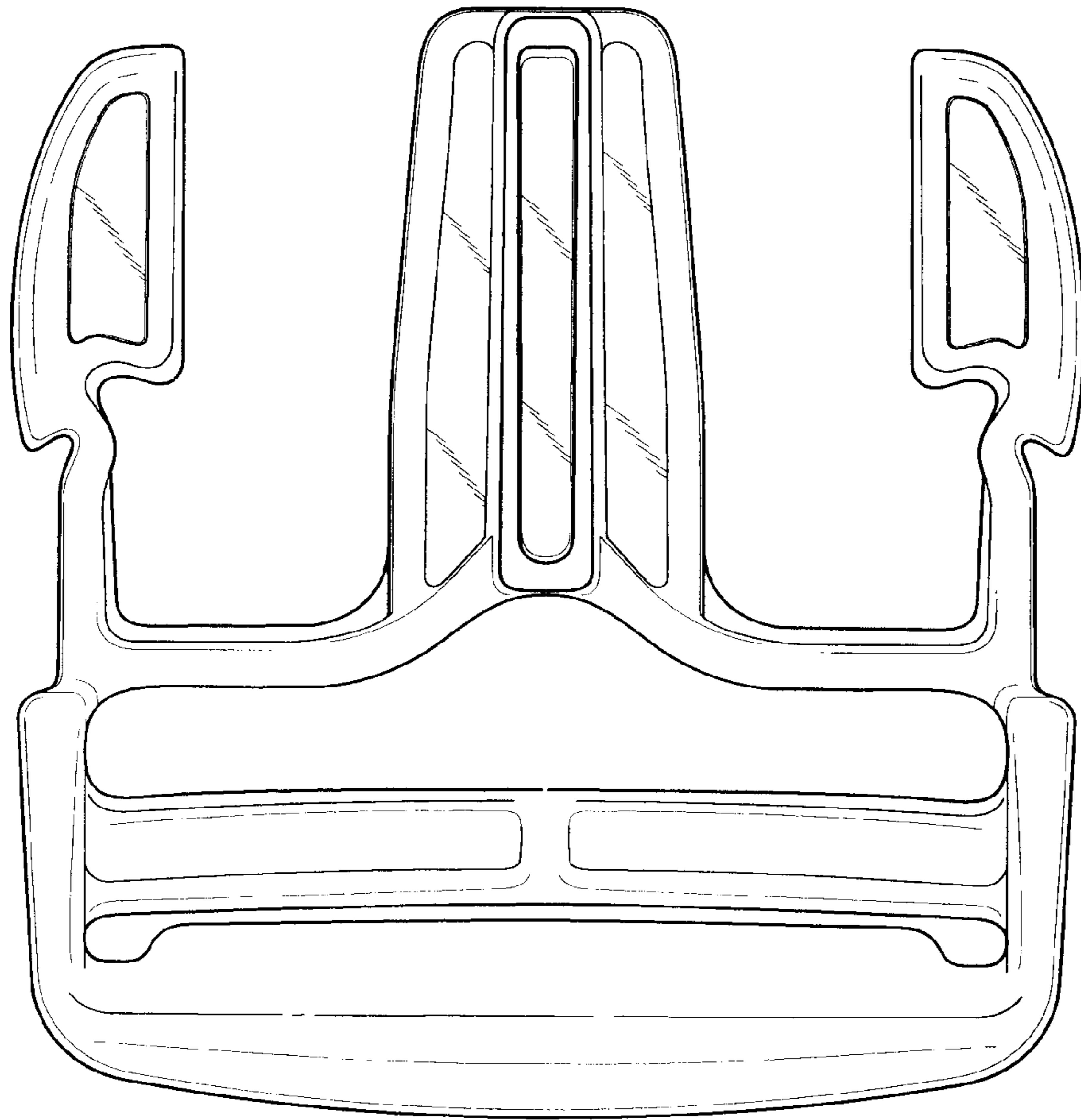




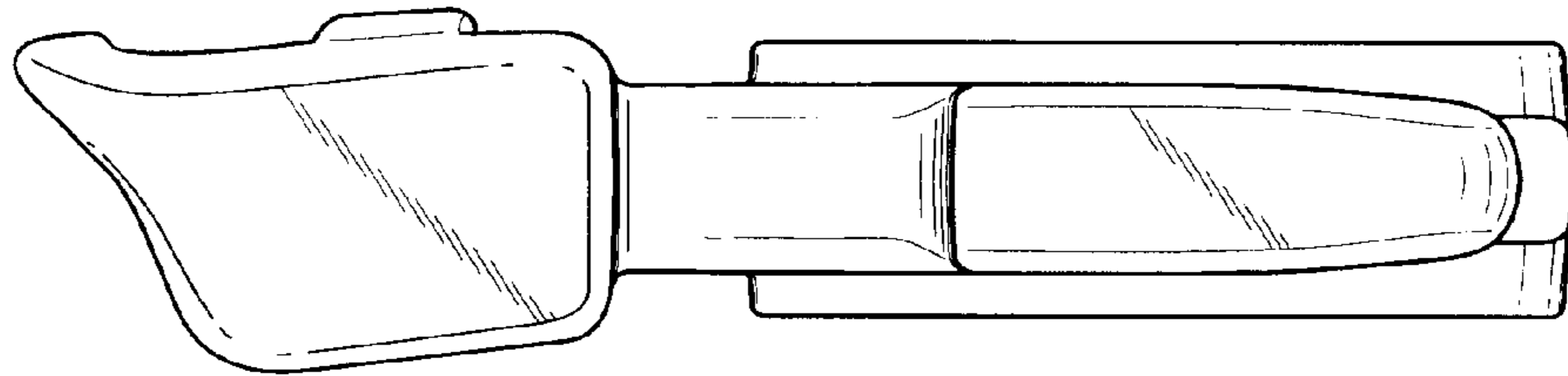
***Fig. 1***



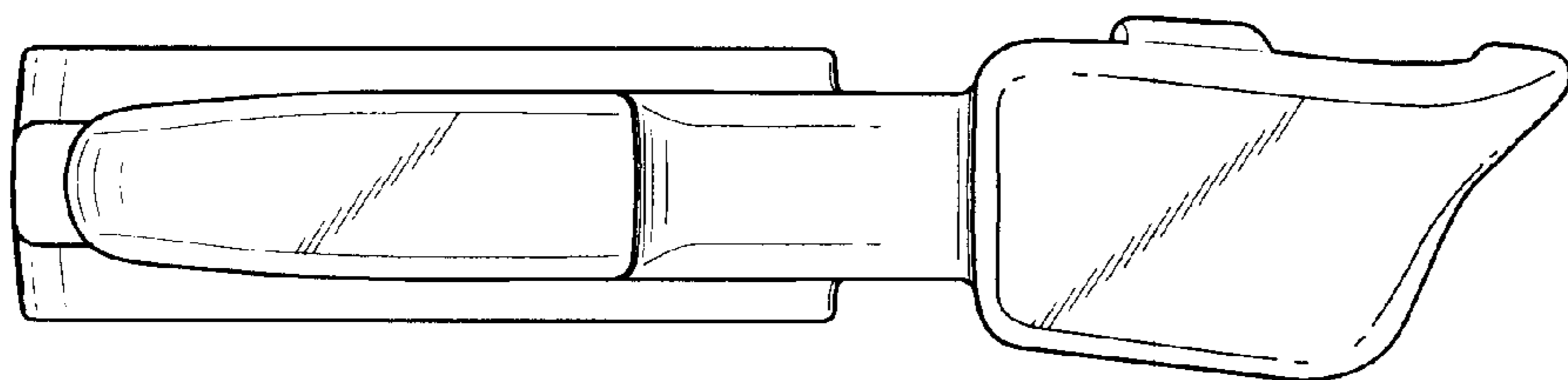
**Fig. 2**



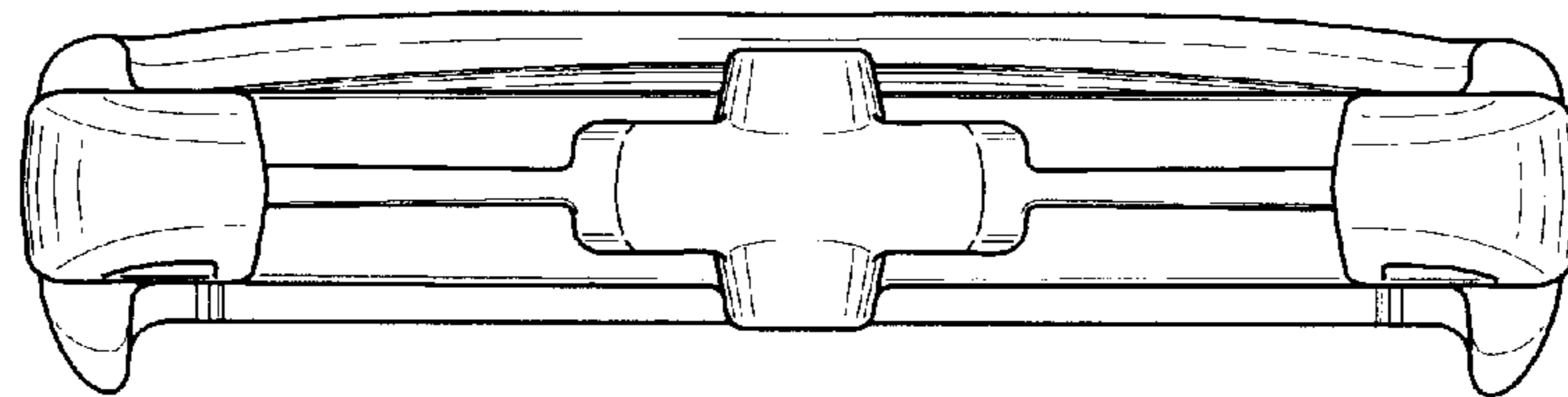
***Fig. 3***



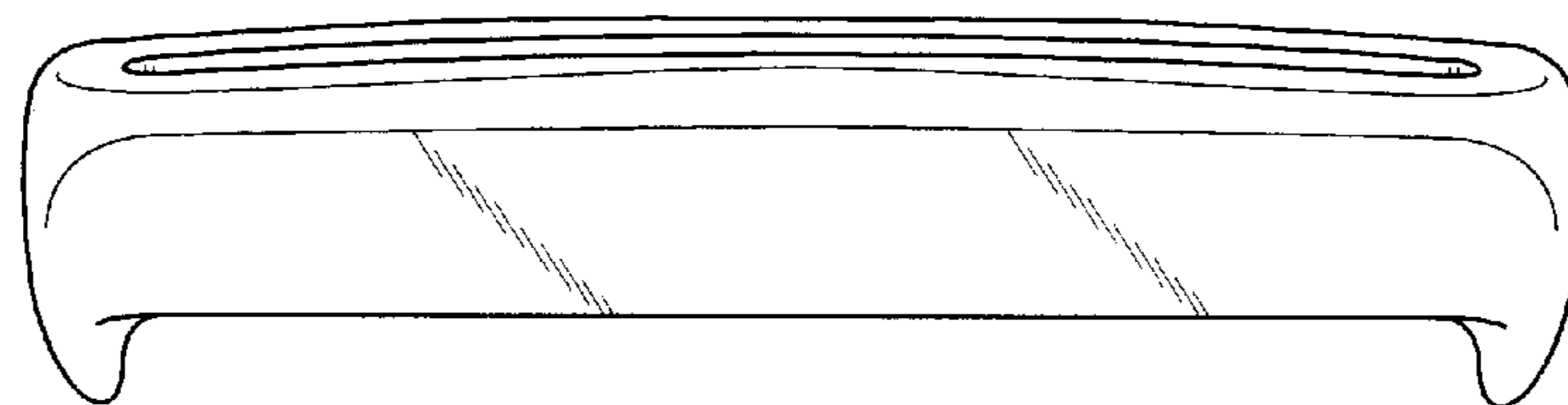
**Fig. 4**



**Fig. 5**



**Fig. 6**



**Fig. 7**