



US00D536278S

(12) **United States Design Patent**
Yang

(10) **Patent No.:** **US D536,278 S**

(45) **Date of Patent:** **** Feb. 6, 2007**

(54) **BUCKLE**

(75) **Inventor:** **Shih-Sheng Yang**, Taipei Hsien (TW)

(73) **Assignee:** **Universal Trim Supply Co., Ltd.**,
Taipei Hsien (TW)

(**) **Term:** **14 Years**

(21) **Appl. No.:** **29/256,223**

(22) **Filed:** **Mar. 20, 2006**

(30) **Foreign Application Priority Data**

Jan. 27, 2006 (TW) 95300498

(51) **LOC (8) Cl.** **02-07**

(52) **U.S. Cl.** **D11/216**

(58) **Field of Classification Search** D11/200,
D11/201, 208-210, 212-218, 220, 230-234,
D11/236-237, 86-87, 94; 63/15.2, 15; 24/307,
24/625, 616, 200, 196, 171, 169, 112, 614,
24/615; D29/100, 101.2

See application file for complete search history.

(56) **References Cited**

U.S. PATENT DOCUMENTS

D368,239 S * 3/1996 Lozano D11/216

D452,834 S * 1/2002 Ko D11/216

D471,131 S * 3/2003 Kawamura D11/216

D479,486 S * 9/2003 Uehara et al. D11/216

D519,408 S * 4/2006 Lundstedt D11/216

* cited by examiner

Primary Examiner—Ralf Seifert

(74) *Attorney, Agent, or Firm*—Troxell Law Office, PLLC

(57) **CLAIM**

The ornamental design for a buckle, as shown and described.

DESCRIPTION

FIG. 1 is a perspective view of a buckle;

FIG. 2 is a front view thereof;

FIG. 3 is a back view thereof;

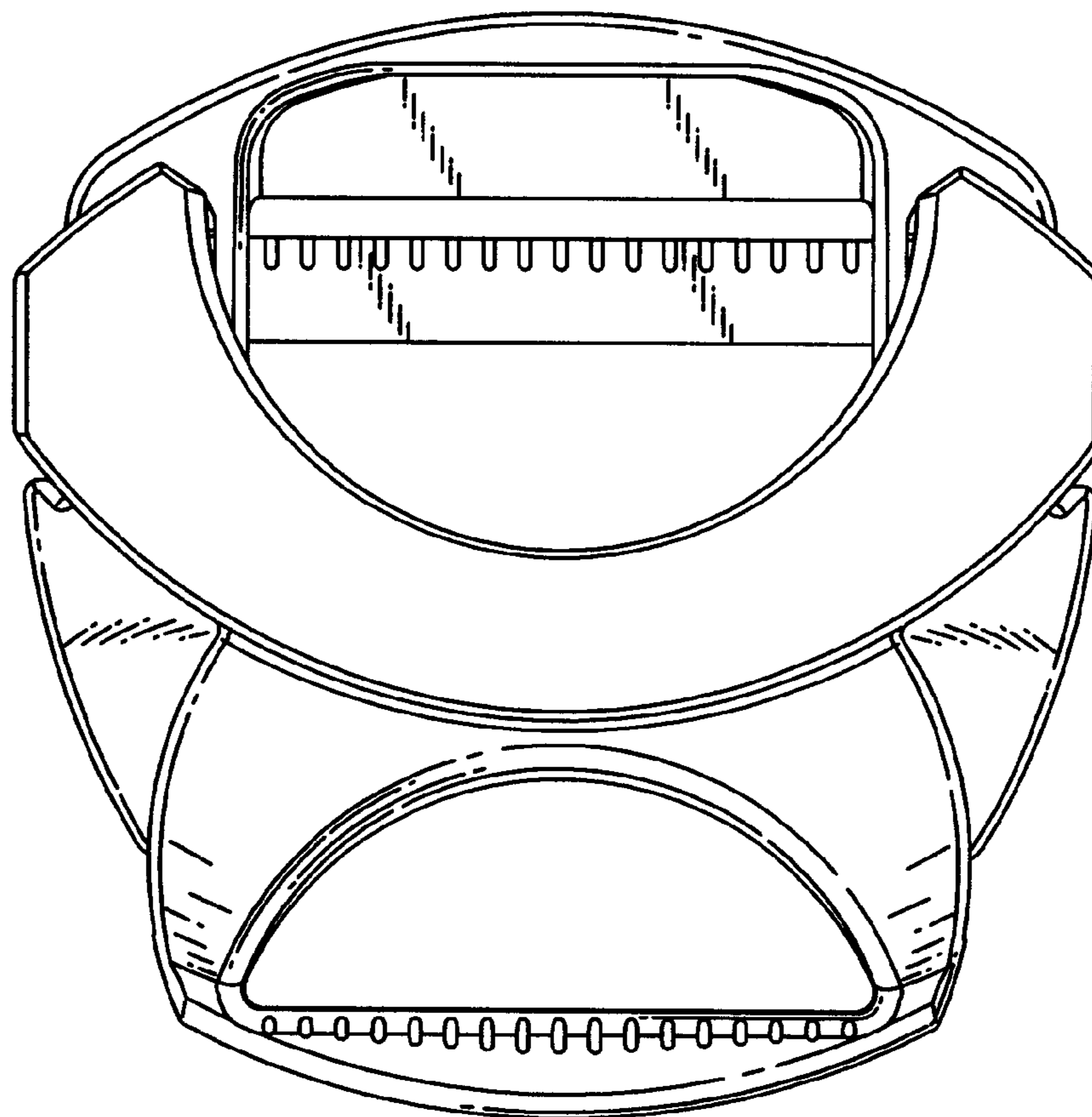
FIG. 4 is a left side view thereof;

FIG. 5 is a right side view thereof;

FIG. 6 is a top view thereof; and,

FIG. 7 is a bottom view thereof.

1 Claim, 5 Drawing Sheets



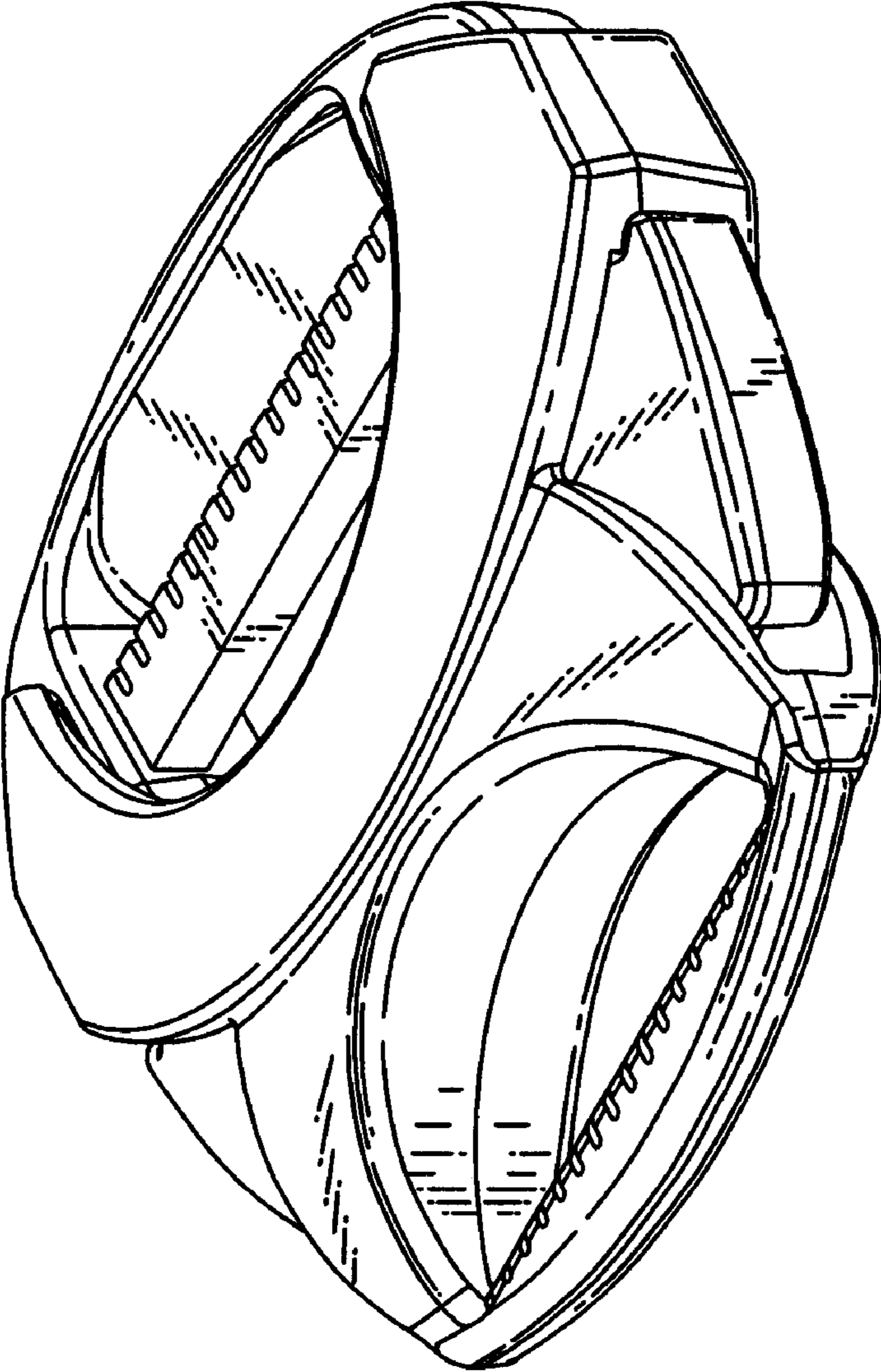


FIG. 1

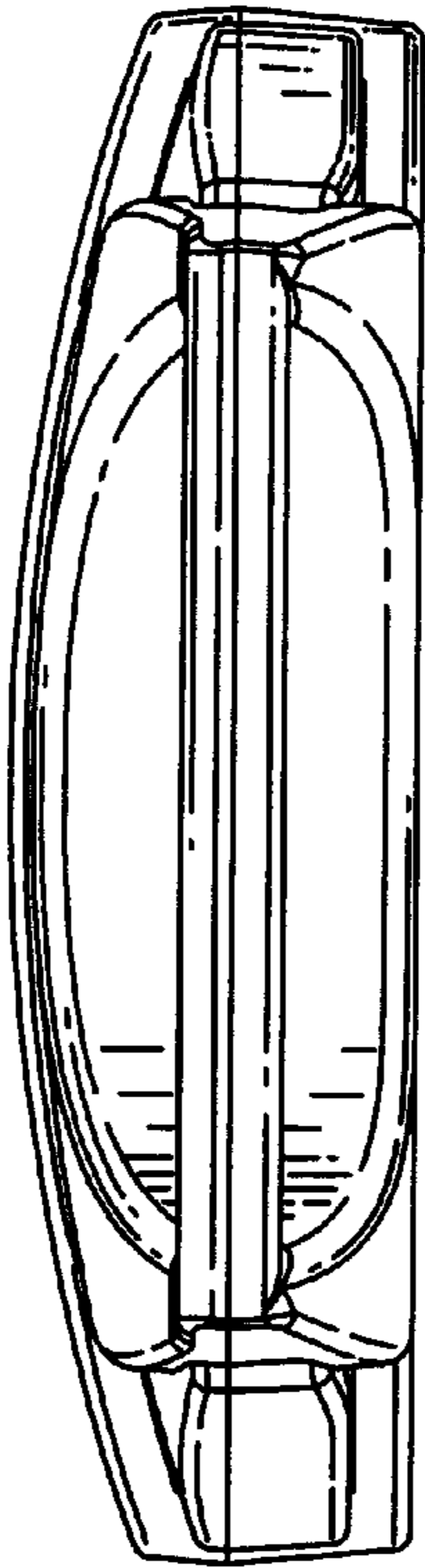


FIG. 2

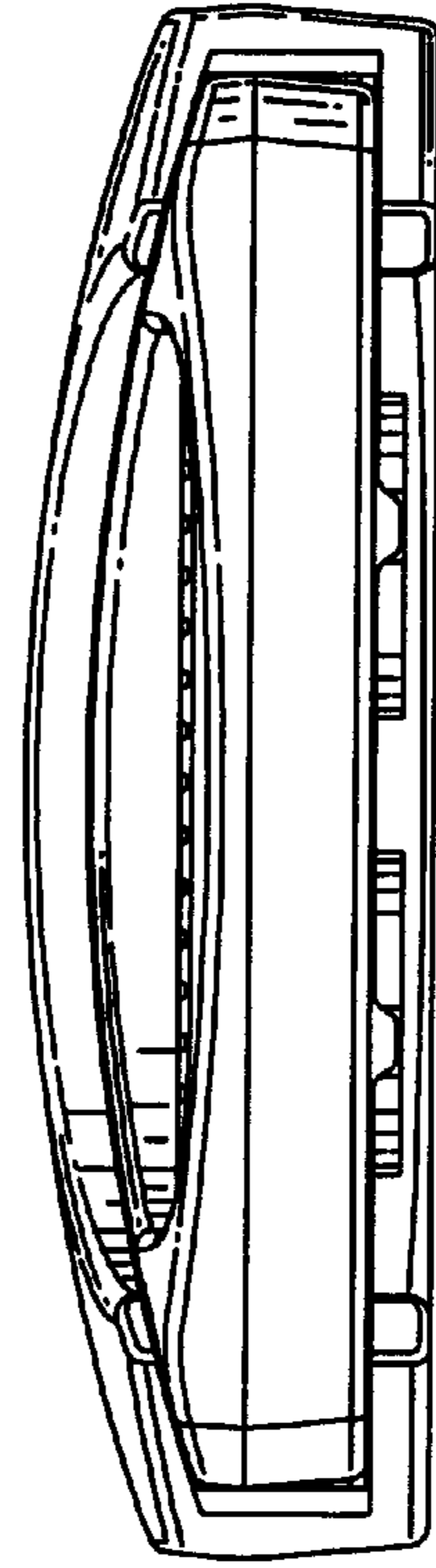


FIG. 3

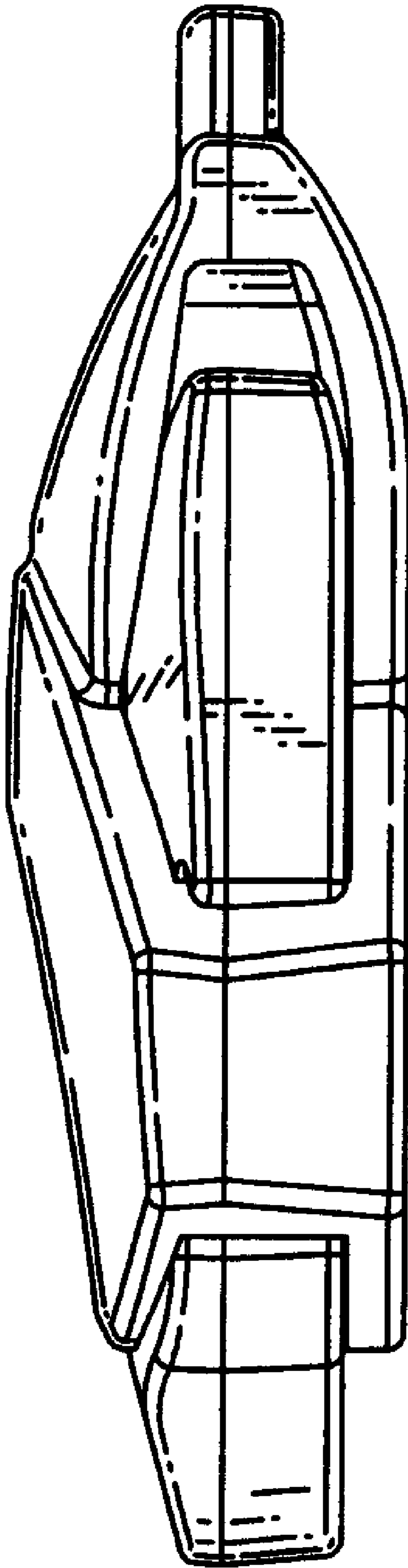


FIG. 4

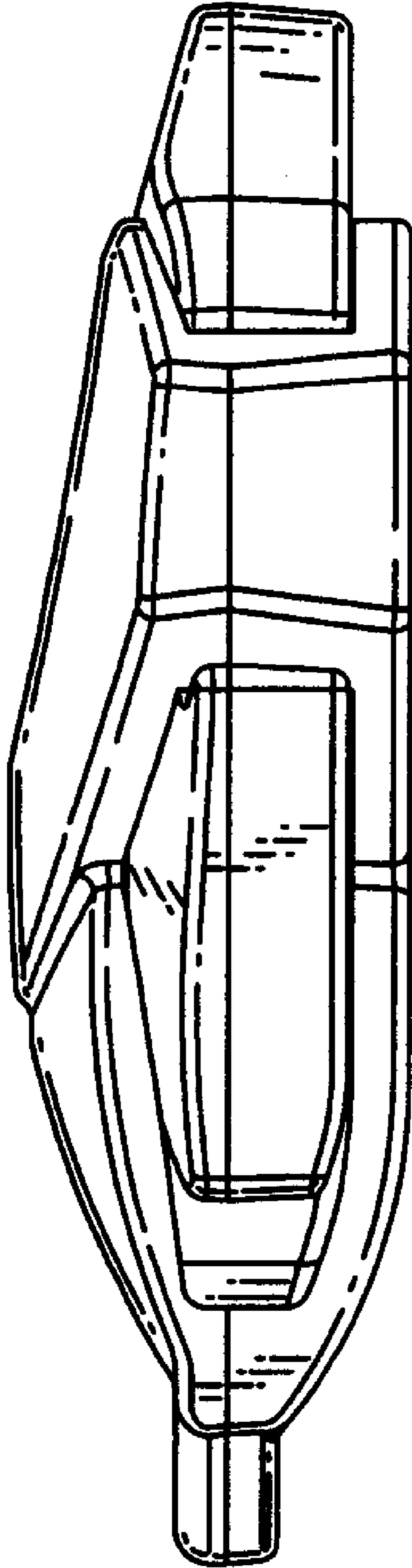


FIG. 5

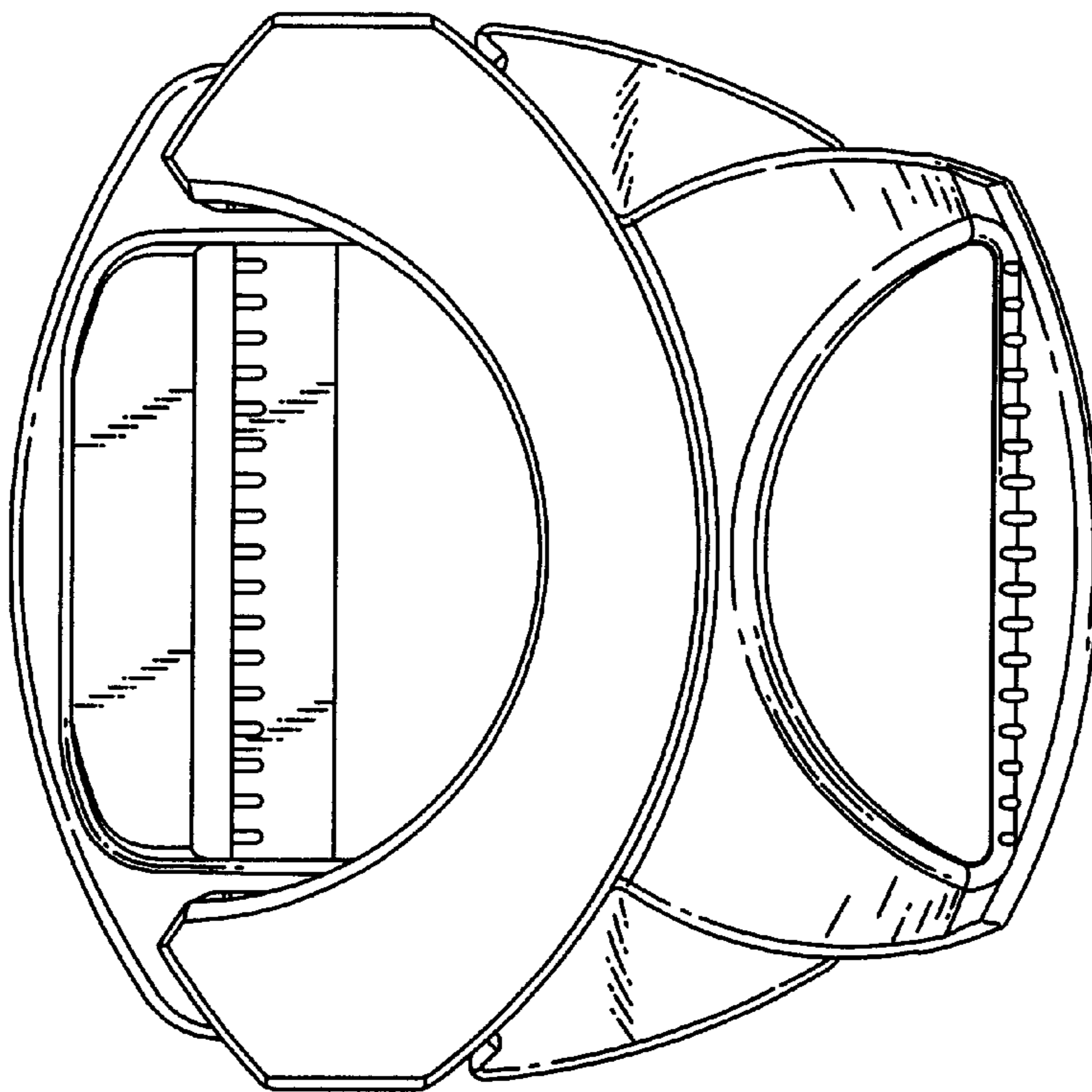


FIG. 6

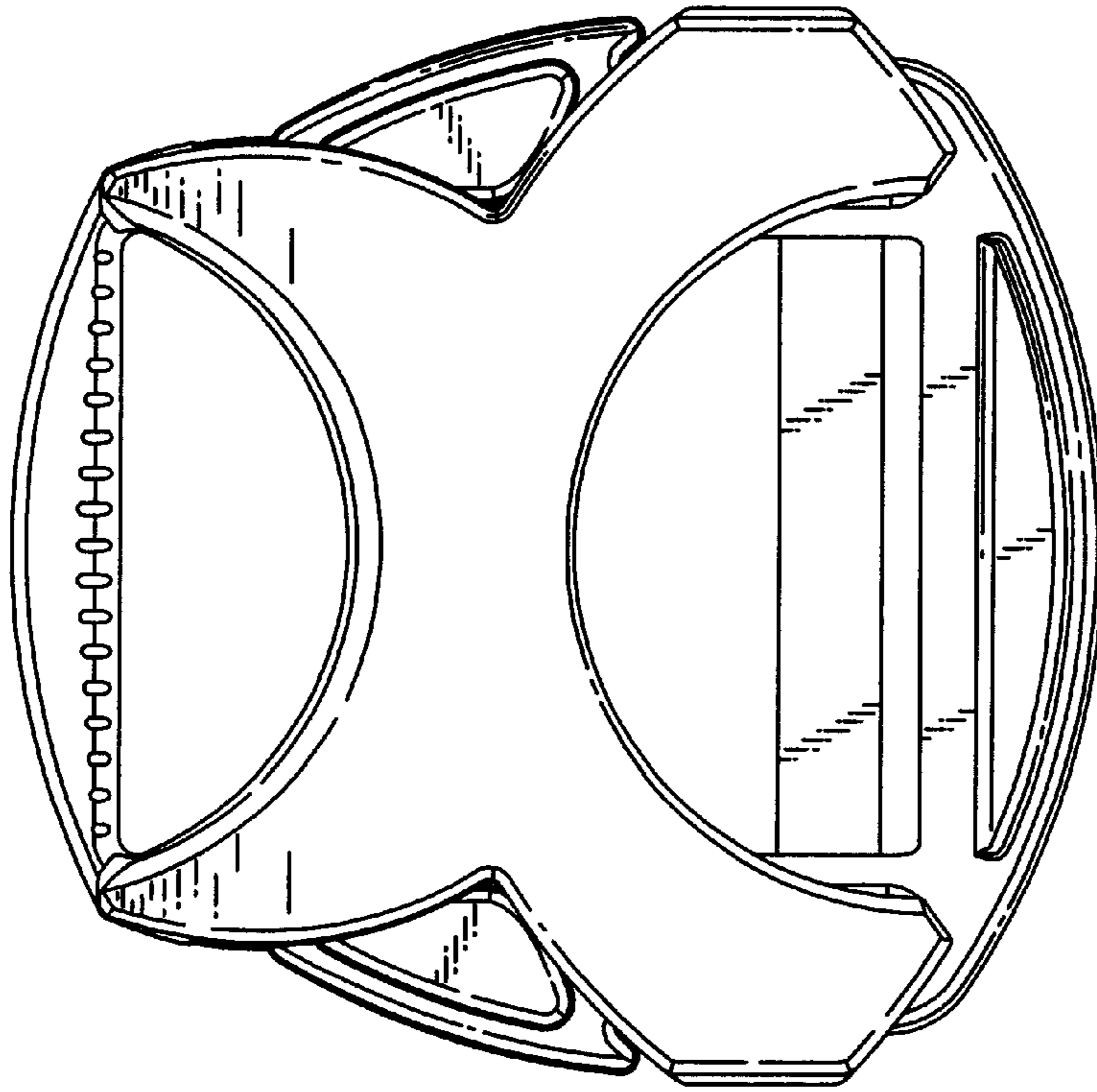


FIG. 7