



US00D536272S

(12) **United States Design Patent**
Colin

(10) **Patent No.:** **US D536,272 S**

(45) **Date of Patent:** **** Feb. 6, 2007**

(54) **DIGITAL WATER GAUGE USED IN A HANDS-FREE HYDRATION SYSTEM**

(75) Inventor: **Mark Colin**, Grass Valley, CA (US)

(73) Assignee: **N2K Corporation**, Grass Valley, CA (US)

(**) Term: **14 Years**

(21) Appl. No.: **29/217,929**

(22) Filed: **Nov. 23, 2004**

(51) **LOC (8) Cl.** **10-04**

(52) **U.S. Cl.** **D10/101**

(58) **Field of Classification Search** D10/58,
D10/96, 101, 102; 220/705; 222/23, 63, 71,
222/74, 92, 129, 155, 157, 175, 183, 490;
224/148.1, 148.2, 148.4, 153

See application file for complete search history.

(56) **References Cited**

U.S. PATENT DOCUMENTS

5,230,563 A * 7/1993 Shalvi D10/101
D464,582 S * 10/2002 Pepperling et al. D10/96
6,588,593 B2 * 7/2003 Woskoski 206/459.1

D493,866 S * 8/2004 Danby et al. D23/233
2004/0233661 A1 * 11/2004 Taylor 362/101
2005/0029319 A1 * 2/2005 Robins et al. 224/148.2
2005/0220169 A1 * 10/2005 McGowan-Scanlon 374/156
2005/0258201 A1 * 11/2005 Willows et al. 224/148.4

* cited by examiner

Primary Examiner—Antoine D. Davis

Assistant Examiner—Patricia Palasik

(74) *Attorney, Agent, or Firm*—Roland H. Shubert

(57) **CLAIM**

The ornamental design for a digital water gauge used in a hands-free hydration system, as shown and described.

DESCRIPTION

FIG. 1 is a front perspective view of a digital water gauge showing my new design;

FIG. 2 is a back perspective view thereof;

FIG. 3 is a front elevational view thereof;

FIG. 4 is a back elevational view thereof;

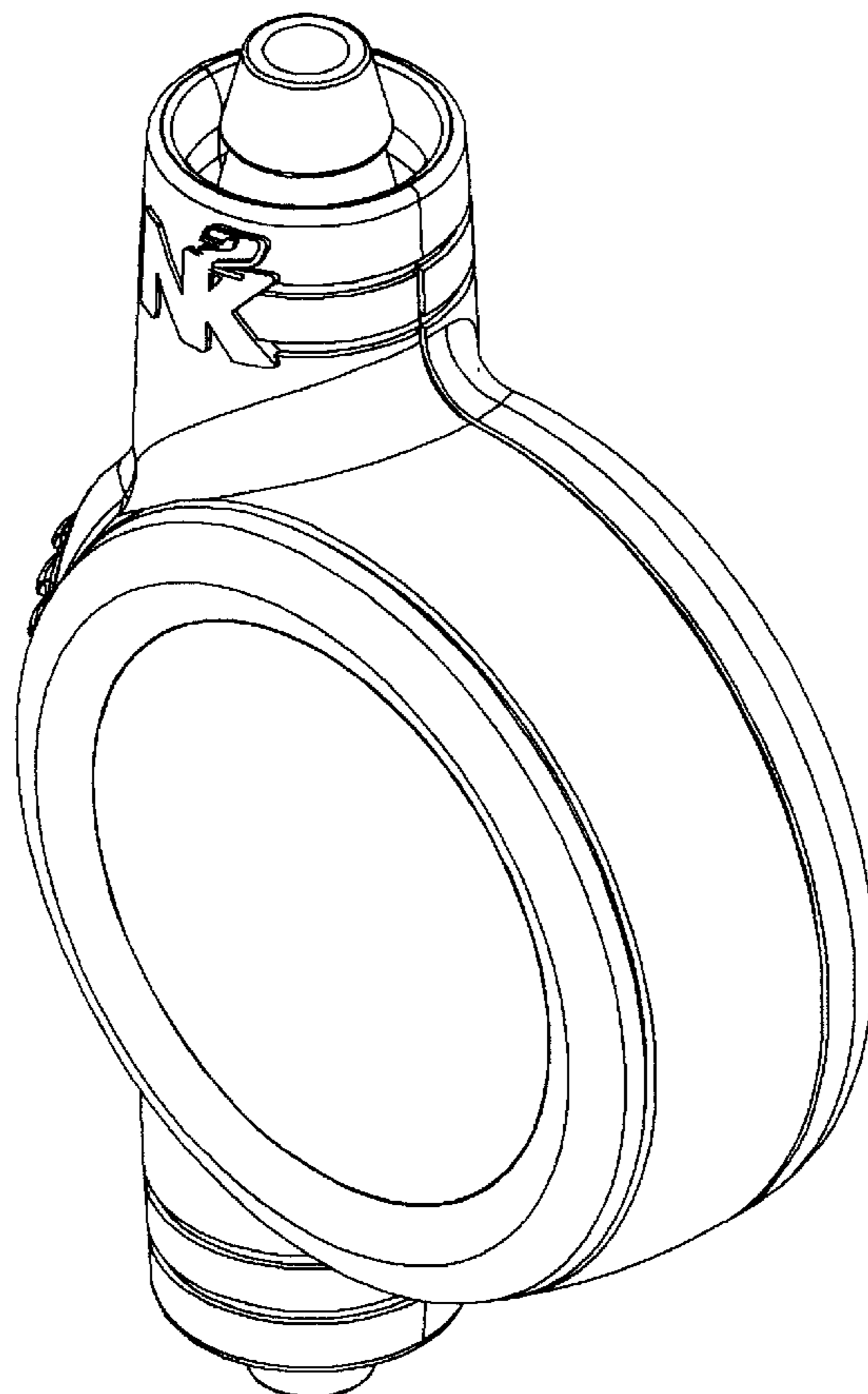
FIG. 5 is left side elevational view thereof;

FIG. 6 is a right side elevational view thereof;

FIG. 7 is a top plan view thereof; and,

FIG. 8 is a bottom plan view thereof.

1 Claim, 7 Drawing Sheets



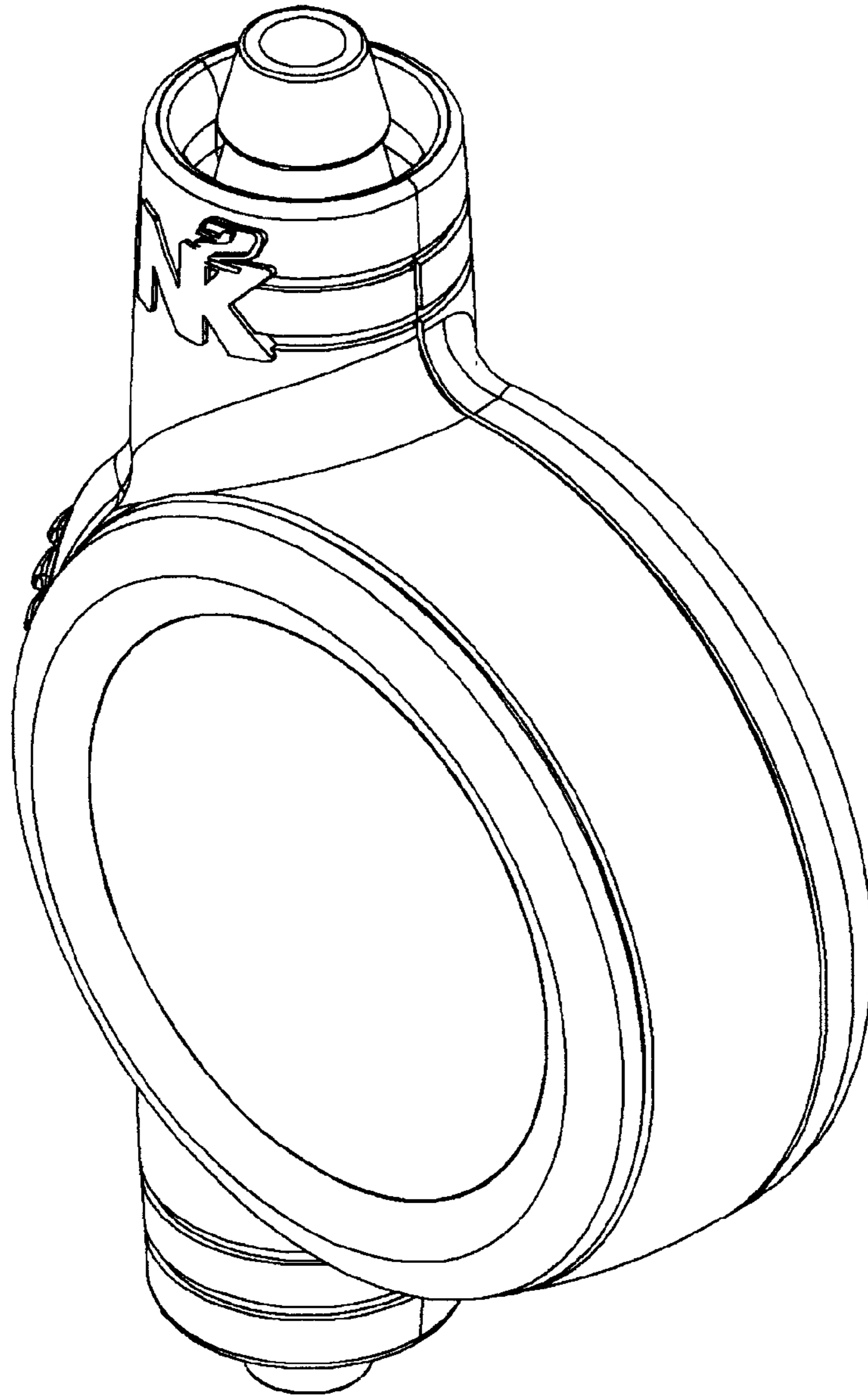


Fig. 1

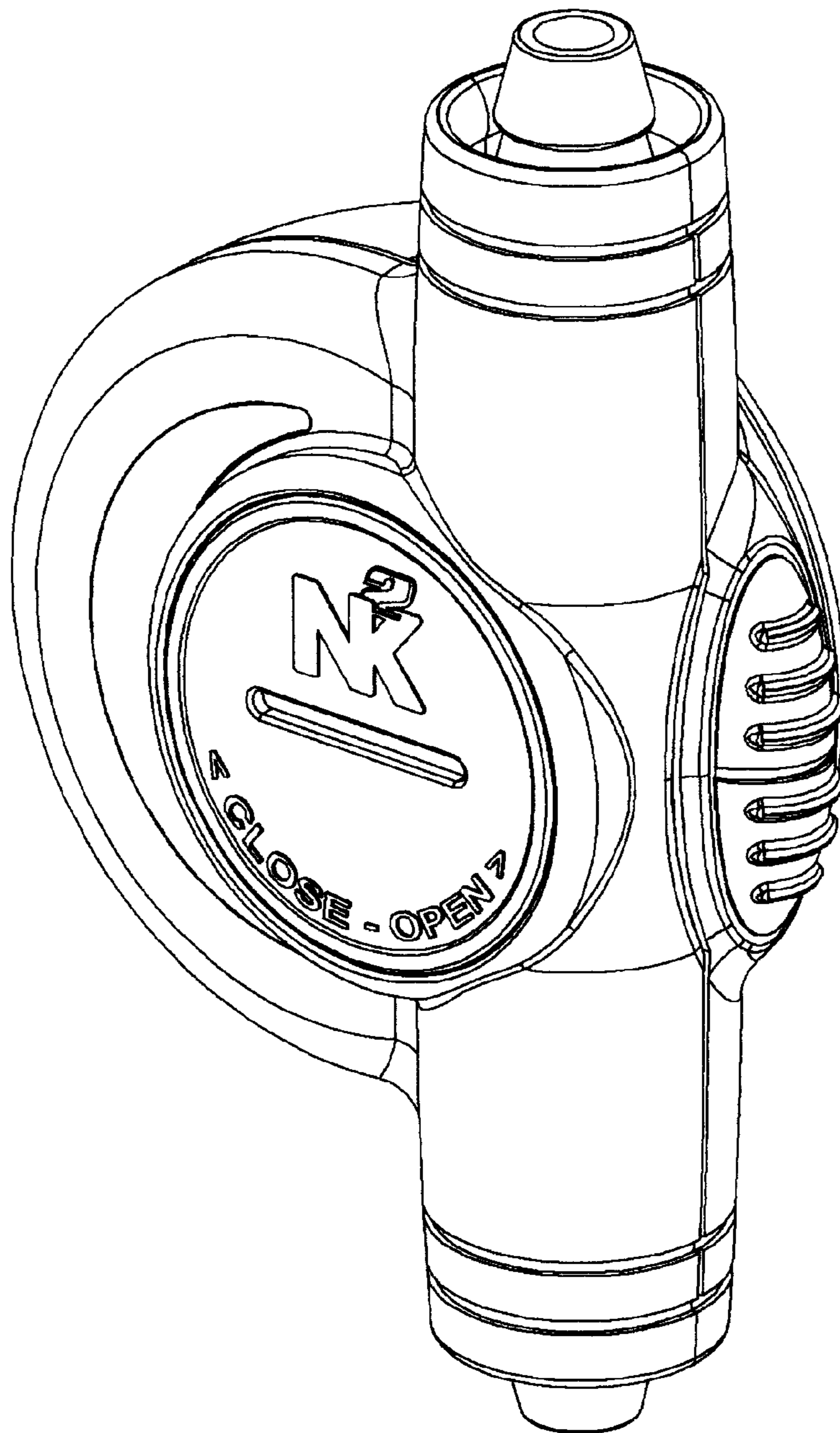


Fig. 2

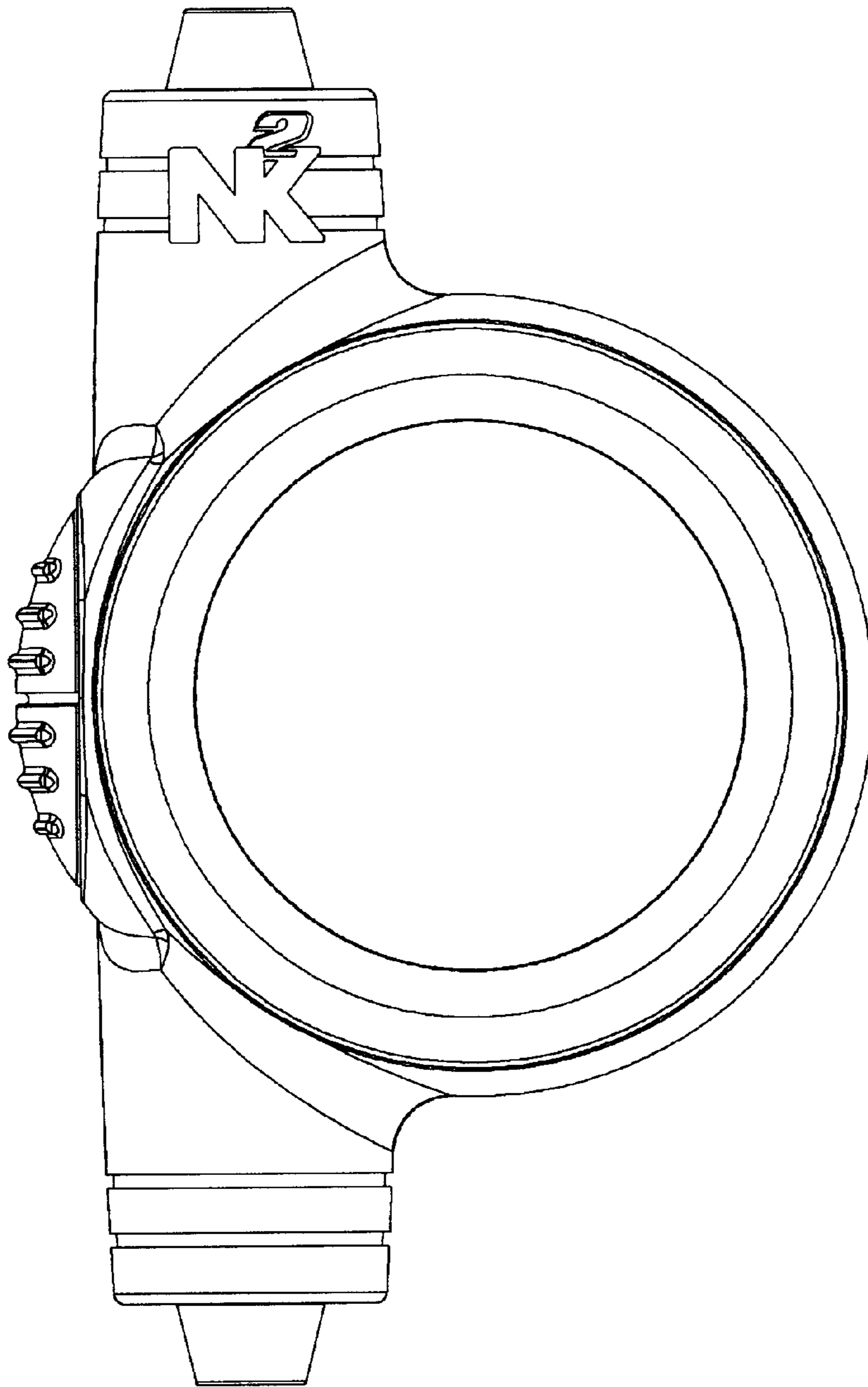


Fig. 3

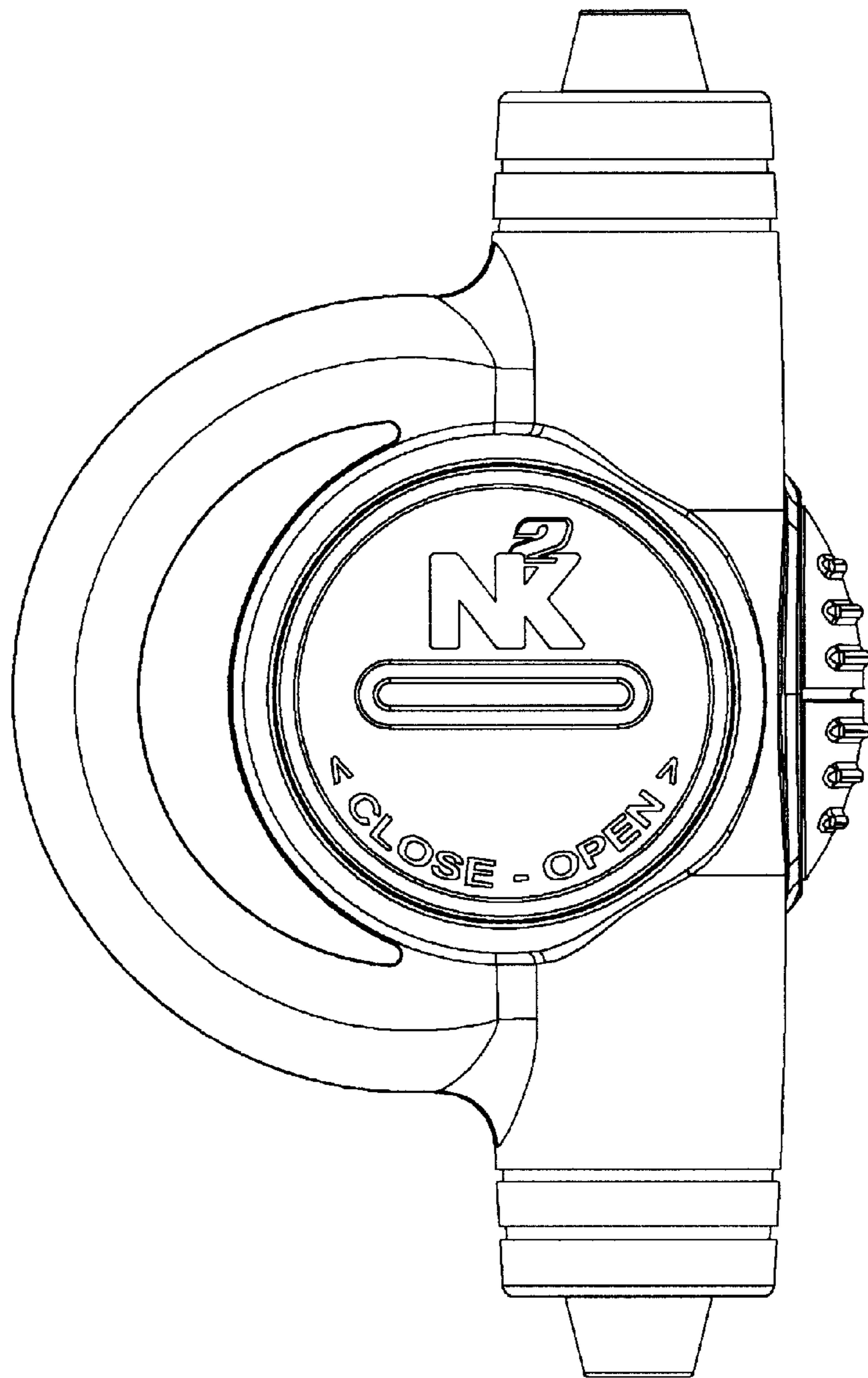


Fig. 4

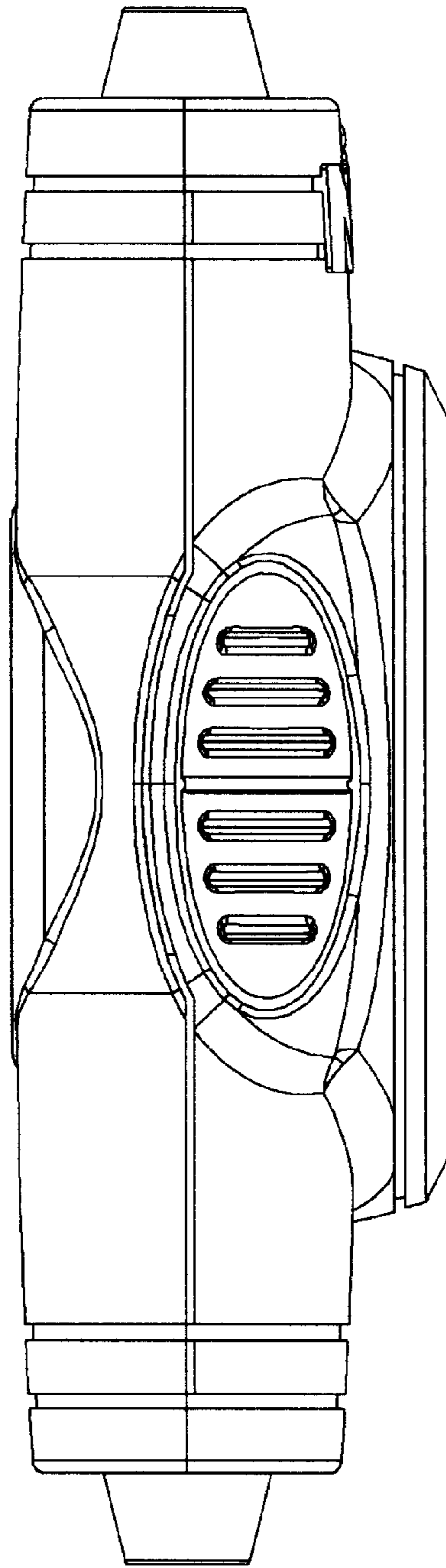


Fig. 5

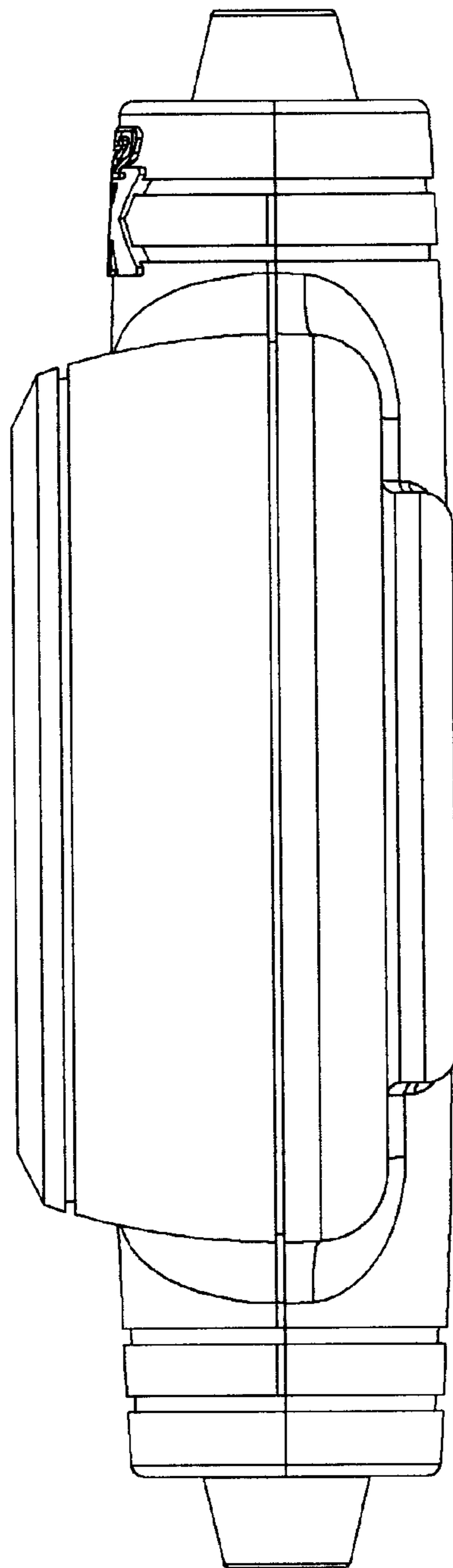


Fig. 6

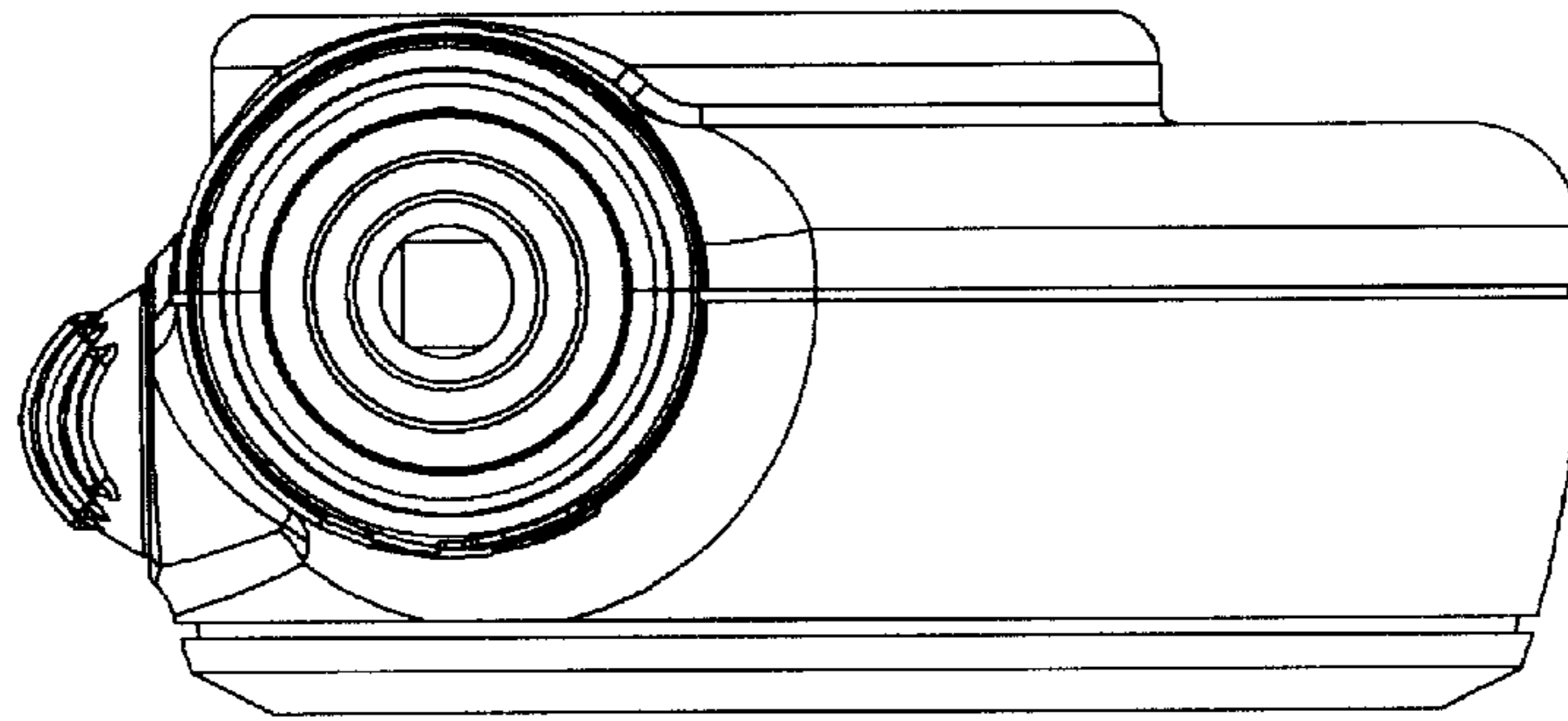


Fig. 7

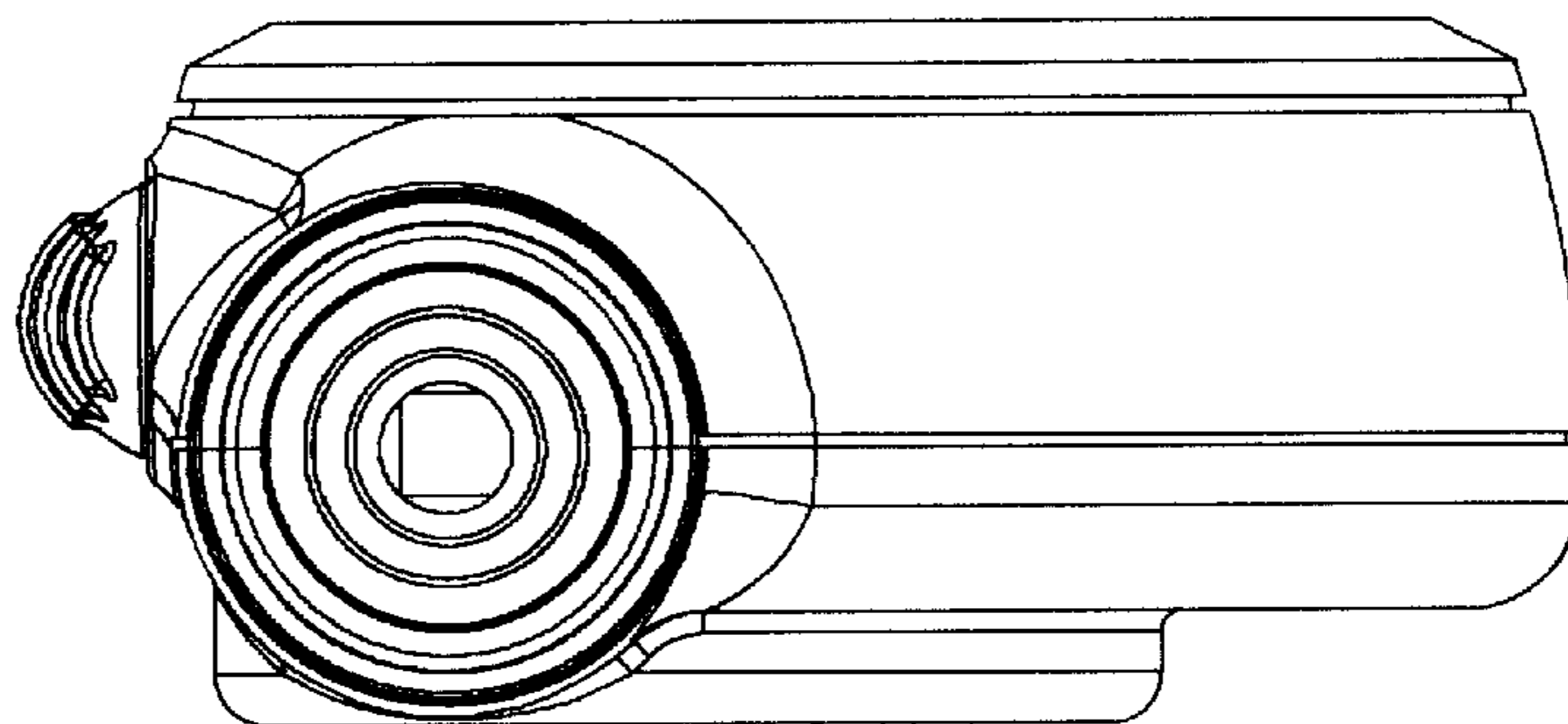


Fig. 8