



US00D536270S

(12) **United States Design Patent**
Vallon et al.

(10) **Patent No.:** **US D536,270 S**

(45) **Date of Patent:** **** Feb. 6, 2007**

(54) **IRON DETECTOR**

(75) Inventors: **Gerhard Vallon**, Eningen (DE);
Joachim Brucksch, Kusterdingen (DE)

(73) Assignee: **Vallon GmbH** (DE)

(**) Term: **14 Years**

(21) Appl. No.: **29/231,767**

(22) Filed: **Jun. 9, 2005**

(30) **Foreign Application Priority Data**

Jan. 19, 2005 (EM) 000281654

(51) **LOC (8) Cl.** **10-04**

(52) **U.S. Cl.** **D10/47**

(58) **Field of Classification Search** D10/47;
324/233, 326-329; 340/368
See application file for complete search history.

(56) **References Cited**

U.S. PATENT DOCUMENTS

D512,656 S * 12/2005 Yeung D10/47

OTHER PUBLICATIONS

Vallon GmbH Ferrous Locator El 1302A1 product literature
(4 pages) dated Jul. 2003.

Vallon GmbH VMH3 Mine Detector product literature (4
pages) dated Apr. 2005.

* cited by examiner

Primary Examiner—Antoine D. Davis

(74) *Attorney, Agent, or Firm*—Renner, Otto, Boisselle &
Sklar, LLP

(57) **CLAIM**

The ornamental design for an iron detector, as shown and
described.

DESCRIPTION

FIG. 1 is a side elevation view of an iron detector showing
our new design as seen from one side thereof, the other side
being a mirror image;

FIG. 2 is a right end elevation view thereof;

FIG. 3 is a left end elevation view thereof;

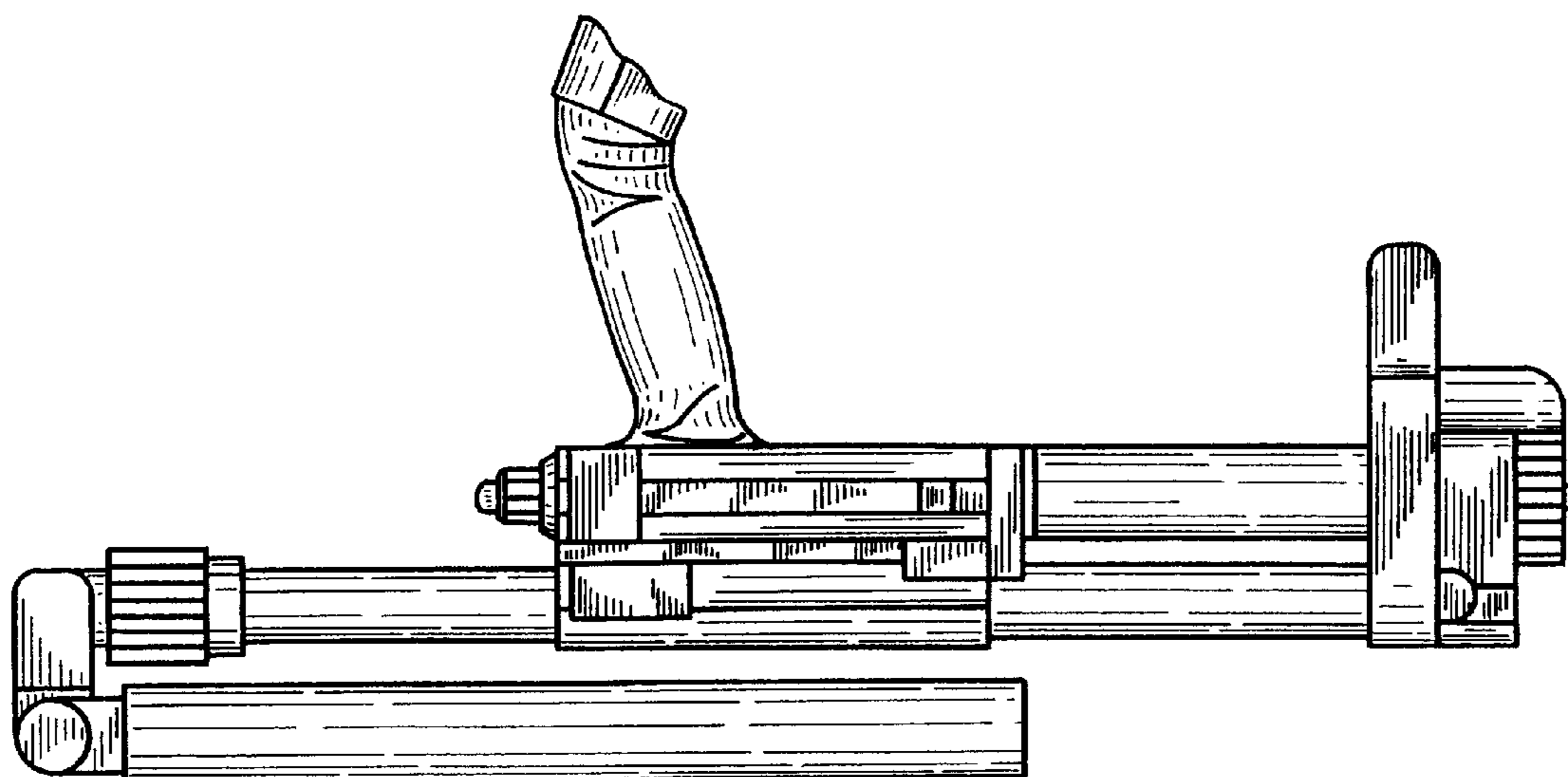
FIG. 4 is a top plan view thereof;

FIG. 5 is a reduced side elevation view thereof similar to
FIG. 1 but showing the iron detector opened;

FIG. 6 is a side elevation view thereof, shown in an alternate
position of use; and,

FIG. 7 is a side elevation view thereof, shown in an alternate
position of use.

1 Claim, 2 Drawing Sheets



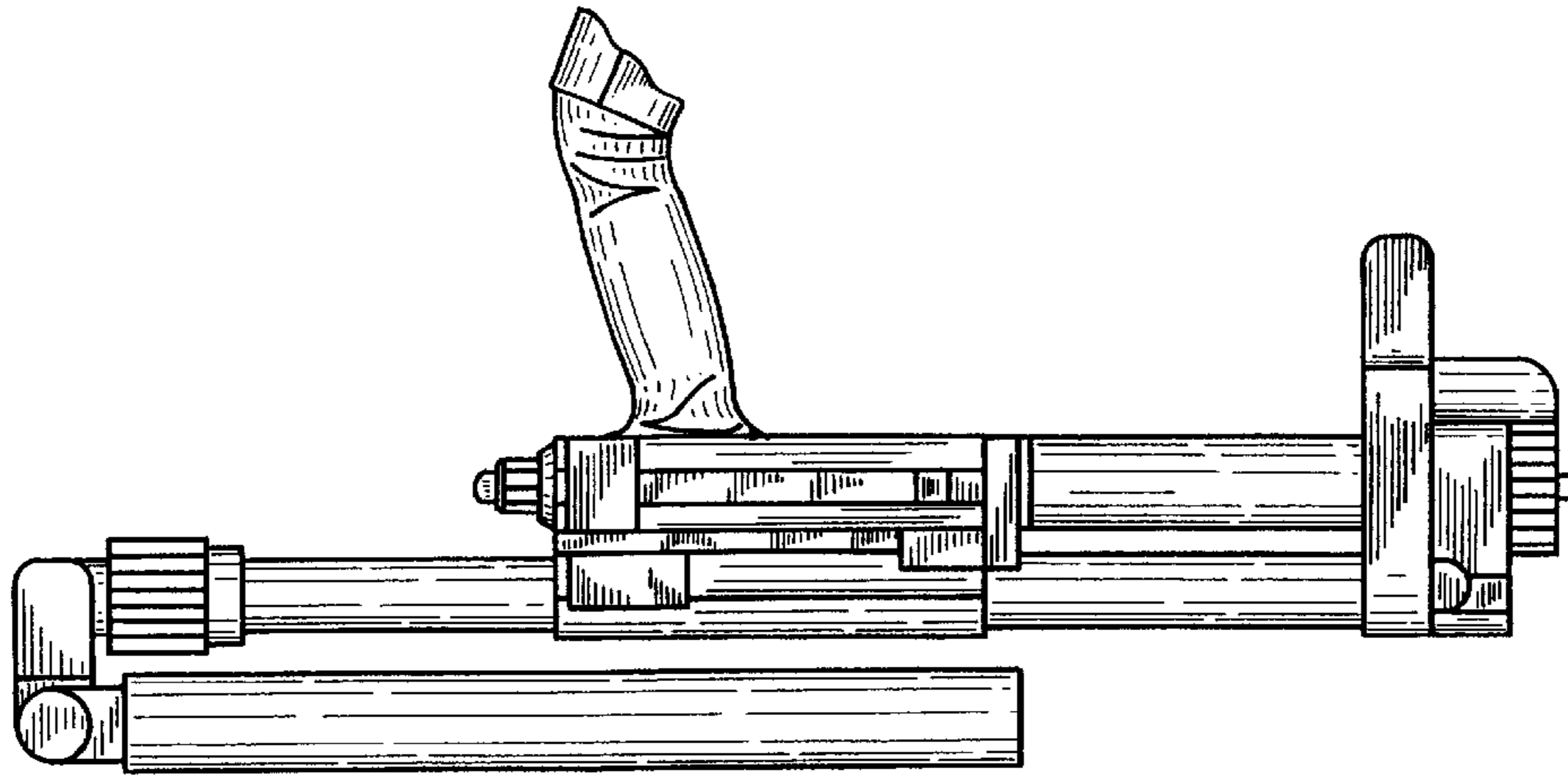


FIG. 1

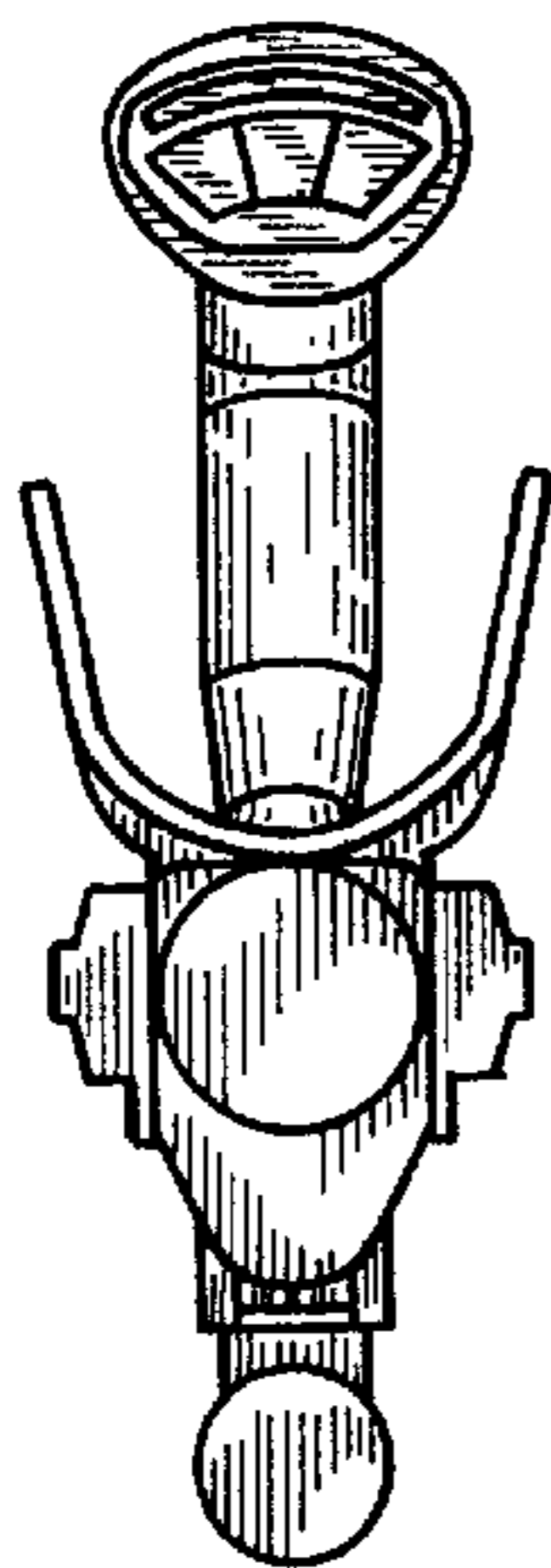


FIG. 2

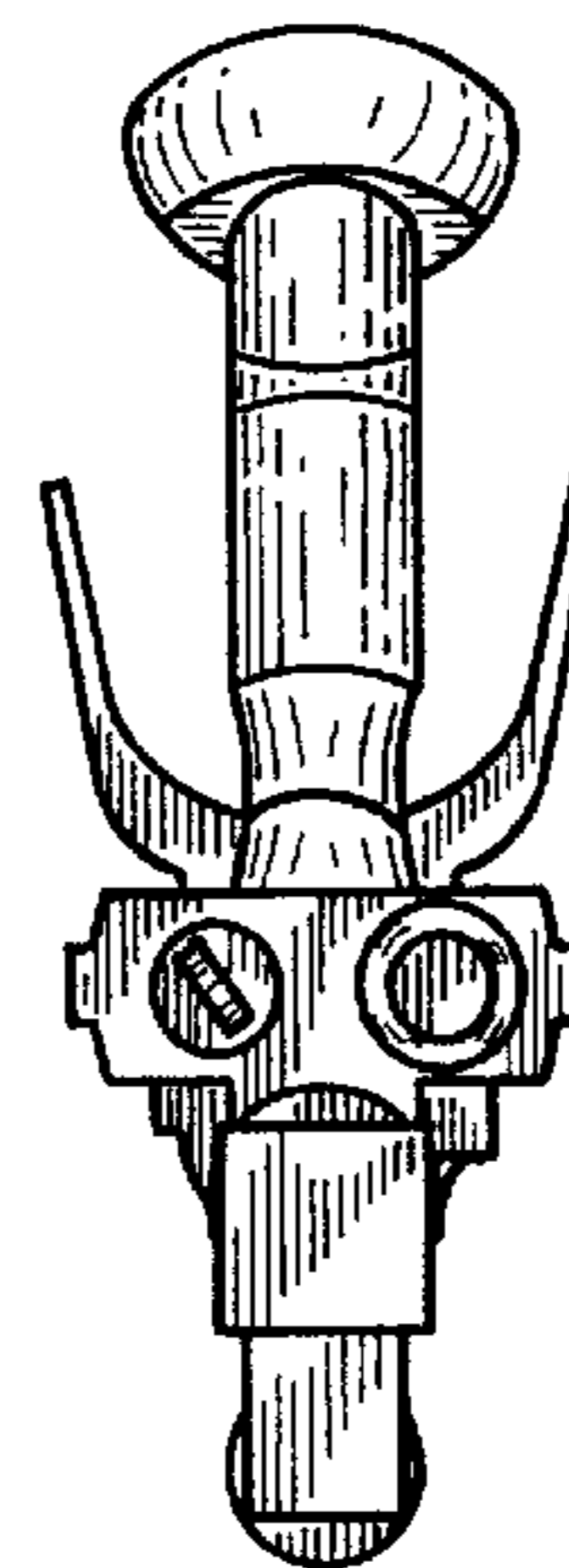


FIG. 3

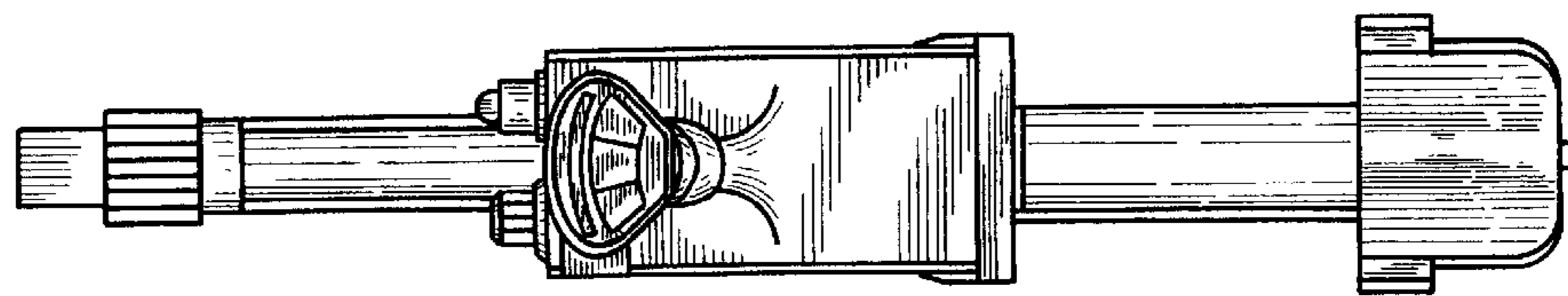


FIG. 4

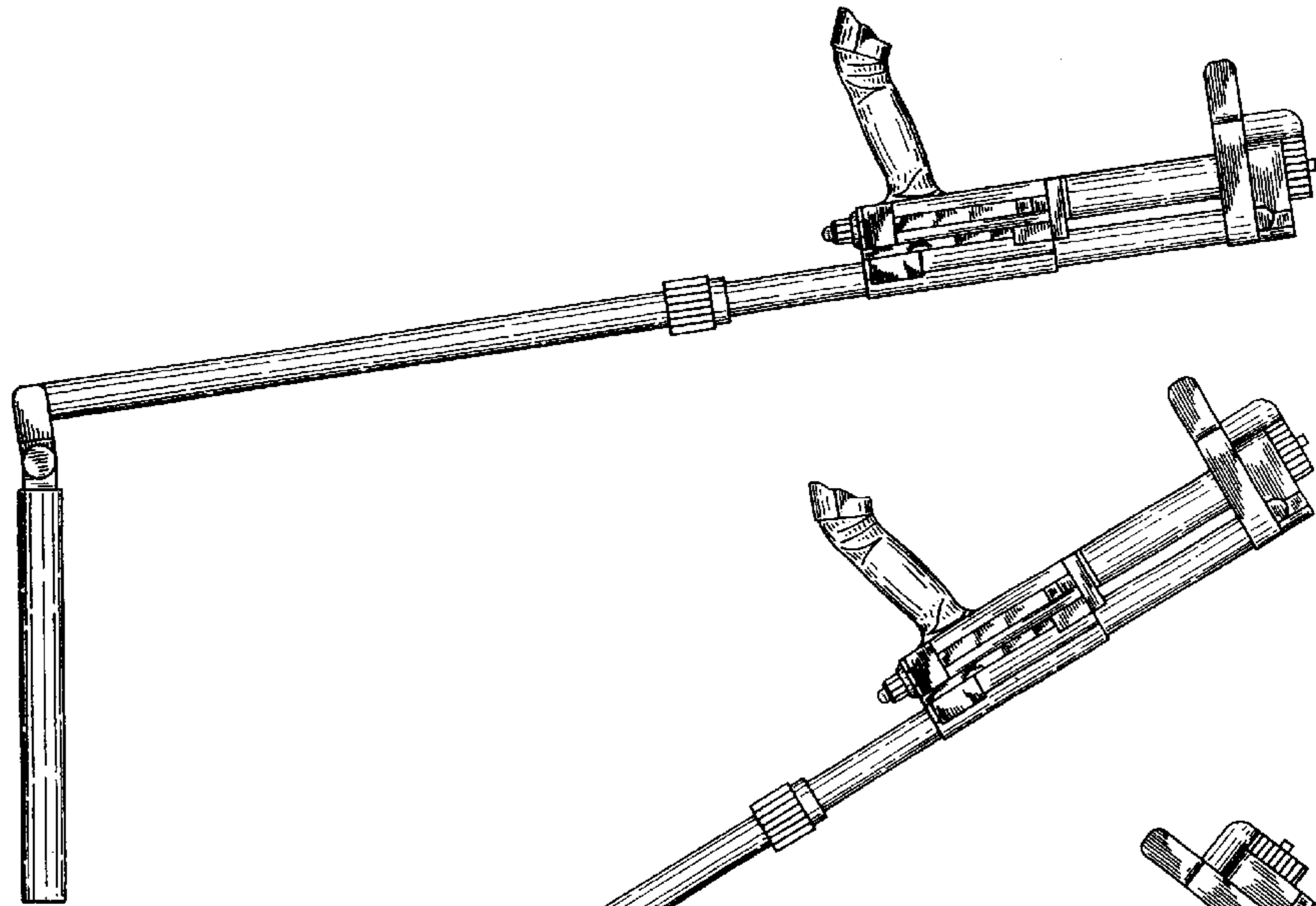


FIG. 5

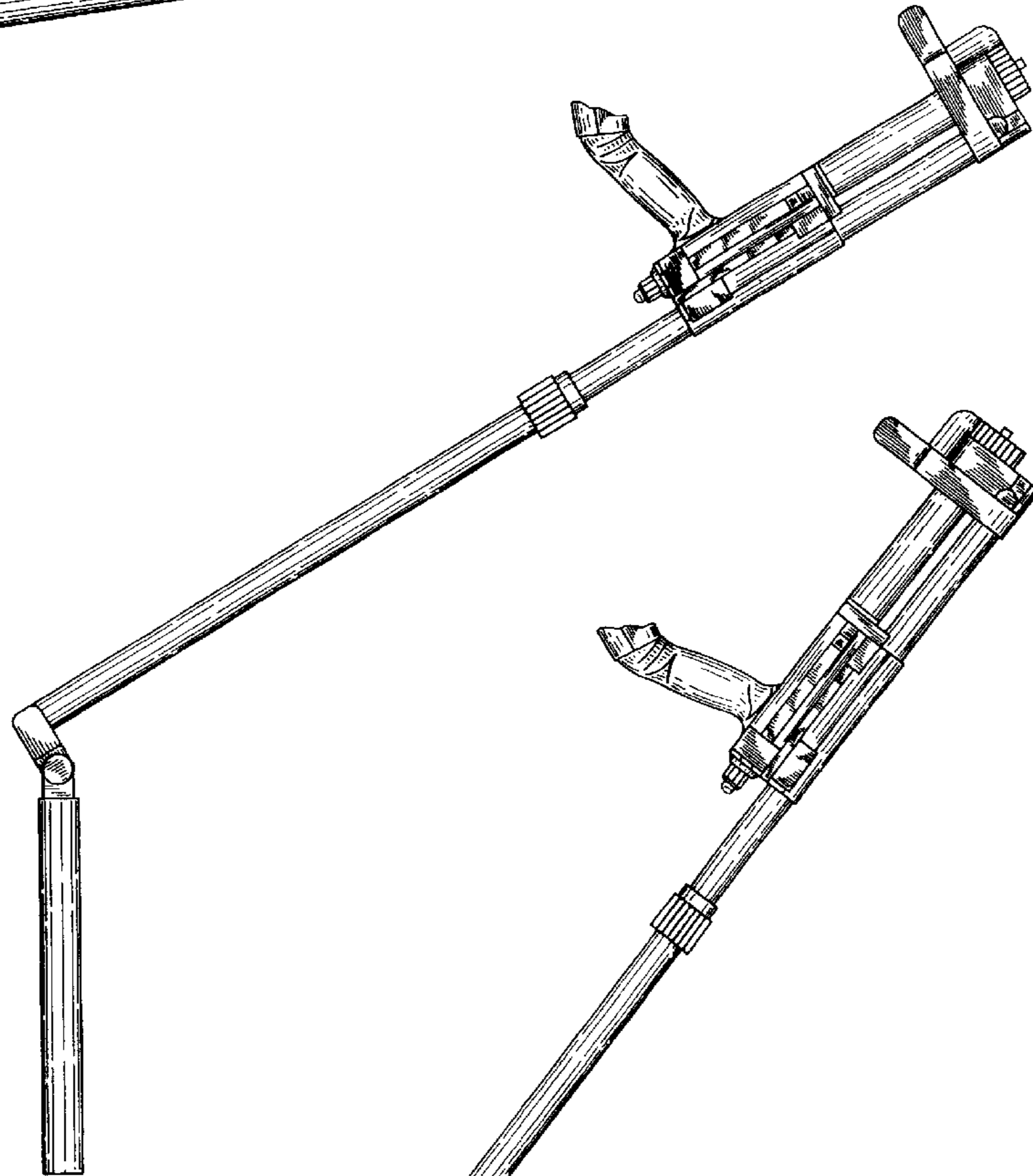


FIG. 6

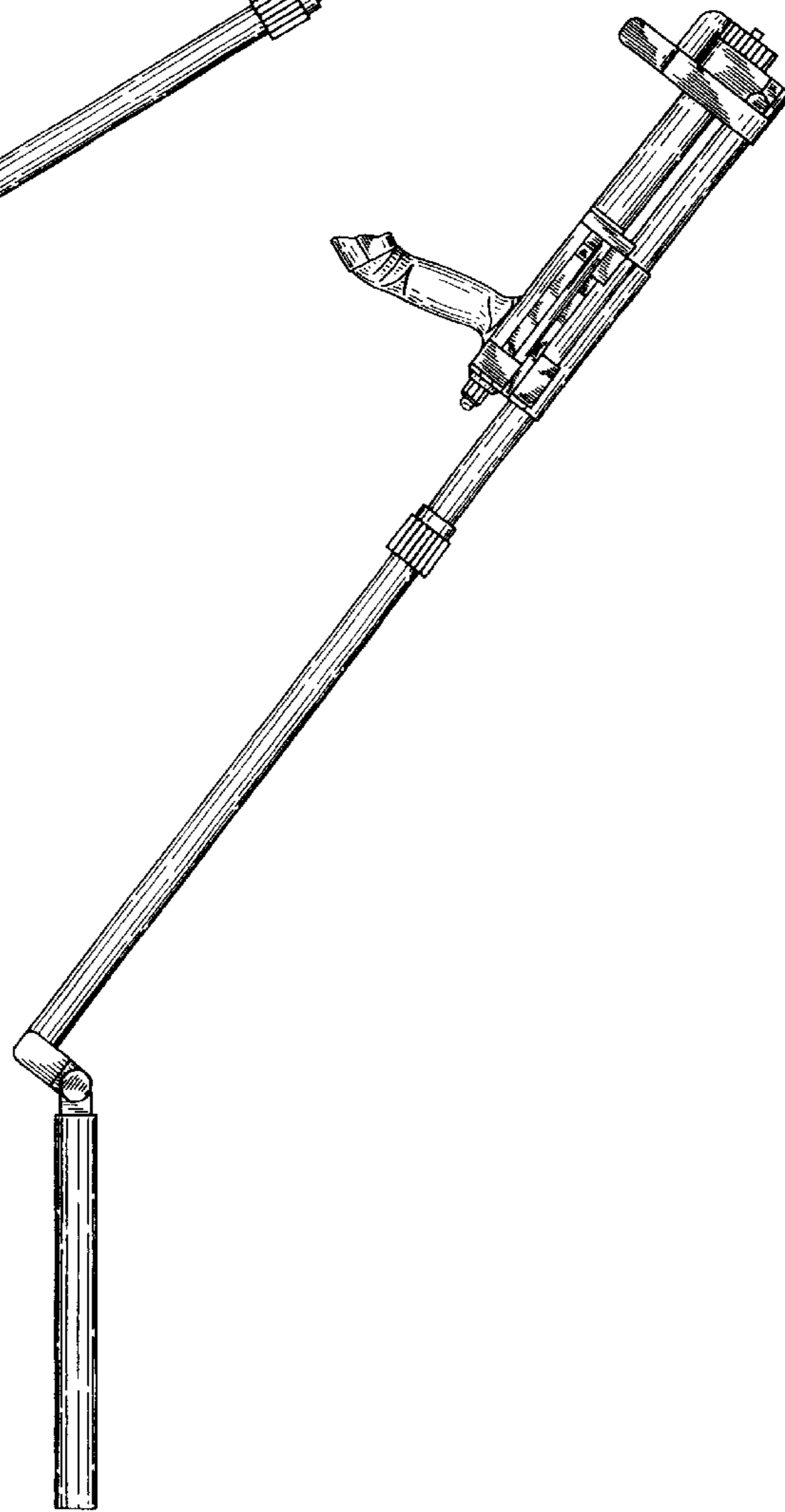


FIG. 7