

US00D536268S

(12) **United States Design Patent**
Asakawa et al.

(10) **Patent No.:** **US D536,268 S**

(45) **Date of Patent:** **** Feb. 6, 2007**

(54) **WATCH CASE**

(75) Inventors: **Hiroshi Asakawa**, Tokyo (JP); **Yoh Fujihara**, Tokyo (JP)

(73) Assignee: **Casio Keisanki Kabushiki Kaisha**, Tokyo (JP)

(**) Term: **14 Years**

(21) Appl. No.: **29/243,887**

(22) Filed: **Nov. 30, 2005**

(30) **Foreign Application Priority Data**

Nov. 1, 2005 (JP) 2005-032093

(51) **LOC (8) Cl.** **10-02**

(52) **U.S. Cl.** **D10/38**

(58) **Field of Classification Search** D10/30,
D10/31, 32, 38, 39, 122-124, 128, 126, 131;
368/28-30, 21, 82-84, 228, 239-242, 281,
368/282, 285, 308, 223, 11, 294, 295
See application file for complete search history.

(56) **References Cited**

U.S. PATENT DOCUMENTS

- D287,470 S * 12/1986 Houlihan D10/30
- D353,105 S * 12/1994 Houlihan D10/30
- D377,315 S * 1/1997 Moriai et al. D10/38
- D380,391 S * 7/1997 Osit D10/30

- D386,975 S * 12/1997 Yamamoto D10/30
- D391,863 S * 3/1998 Houlihan D10/30
- D400,804 S * 11/1998 Riley et al. D10/30
- D413,527 S * 9/1999 Hanagata D10/30
- D435,221 S * 12/2000 Nikaido et al. D10/30
- D451,825 S * 12/2001 Hanagata D10/30
- D465,739 S * 11/2002 Arabov D10/39
- D473,472 S * 4/2003 Wunderman D10/32
- D486,402 S * 2/2004 Shoubayashi D10/30
- D490,719 S * 6/2004 Schoepfer D10/32
- D493,730 S * 8/2004 Monachon D10/32
- D502,650 S * 3/2005 Kojima et al. D10/30

* cited by examiner

Primary Examiner—Lucy Lieberman

(74) *Attorney, Agent, or Firm*—Frishauf, Holtz, Goodman & Chick, P.C.

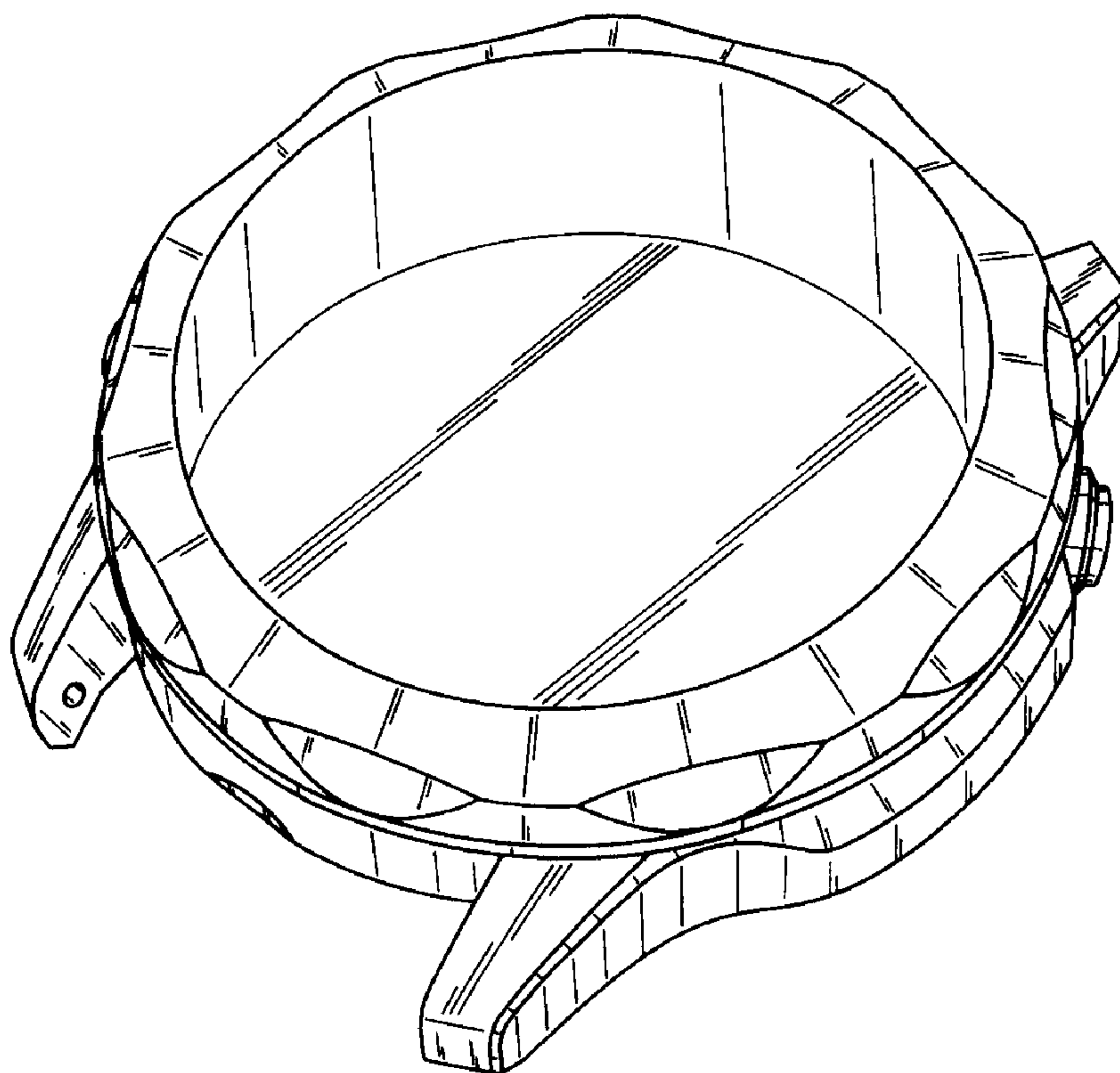
(57) **CLAIM**

The ornamental design for a watch case, as shown.

DESCRIPTION

FIG. 1 is a front, right side, bottom perspective view of a watch case showing our new design; FIG. 2 is a front elevational view thereof; FIG. 3 is a rear elevational view thereof; FIG. 4 is a left side view thereof; FIG. 5 is a right side view thereof; FIG. 6 is a top plan view thereof; and, FIG. 7 is a bottom plan view thereof.

1 Claim, 6 Drawing Sheets



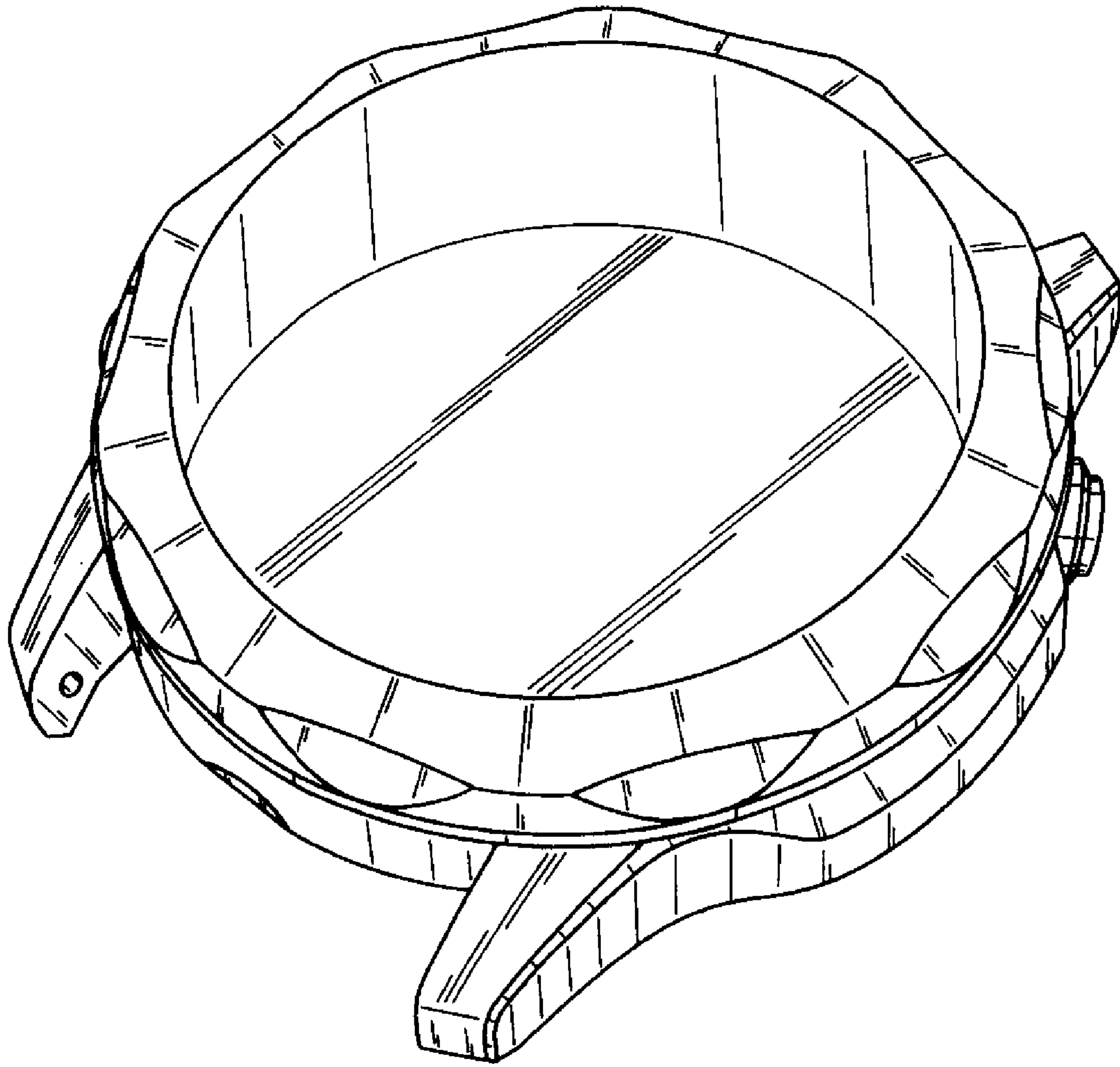


FIG. 1

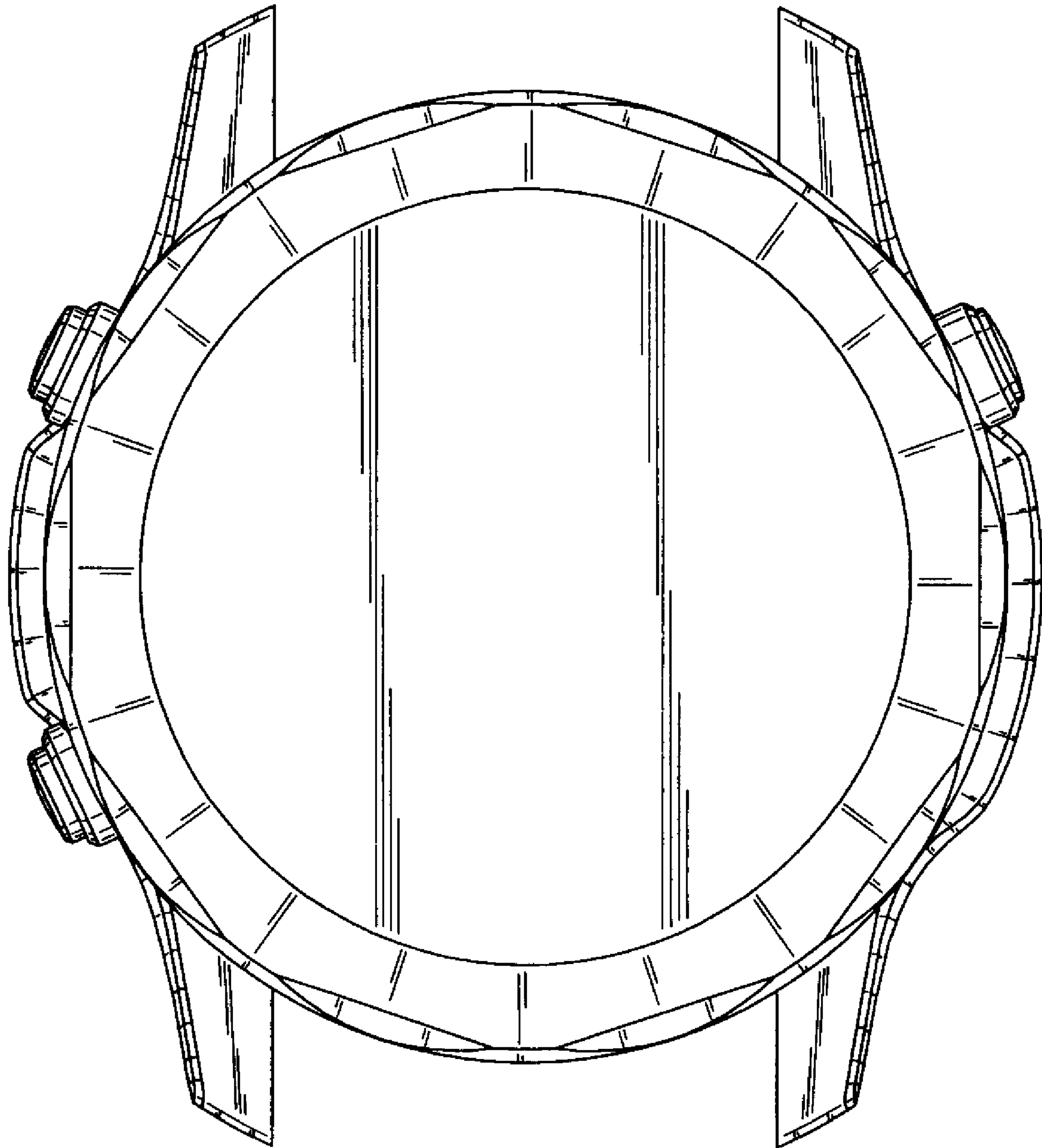


FIG. 2

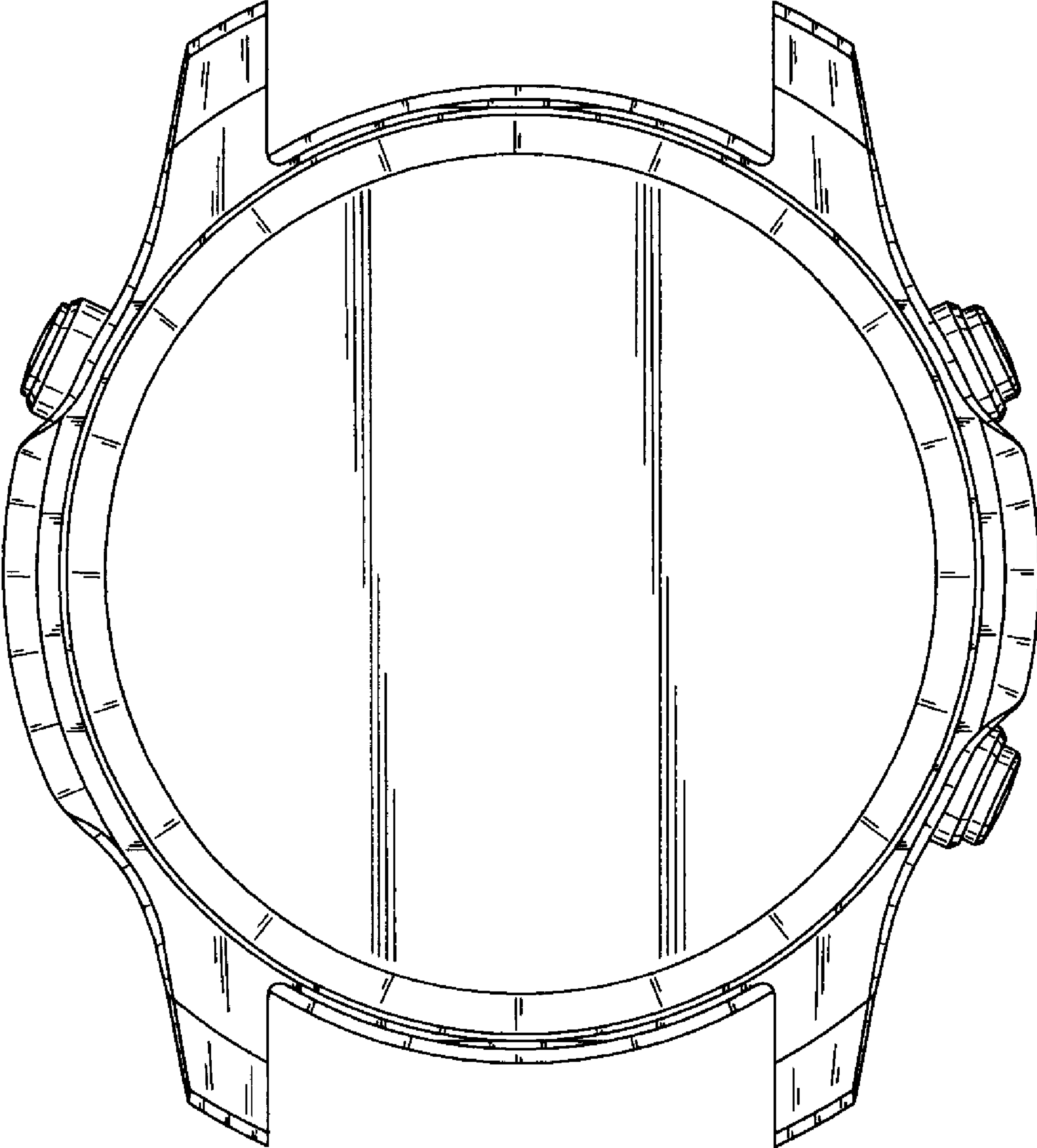


FIG. 3

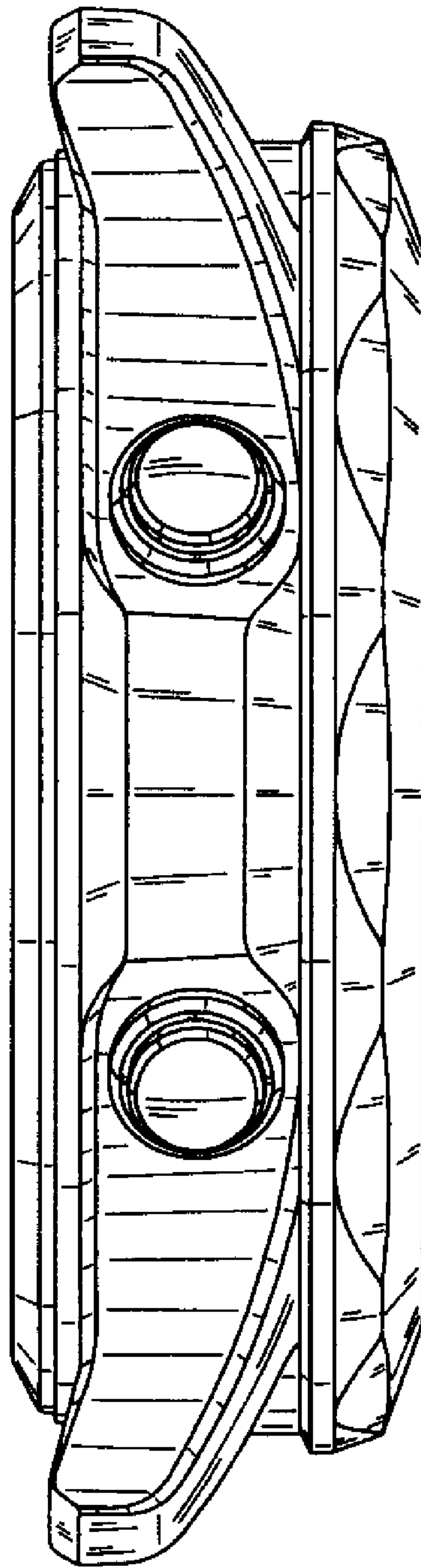


FIG. 4

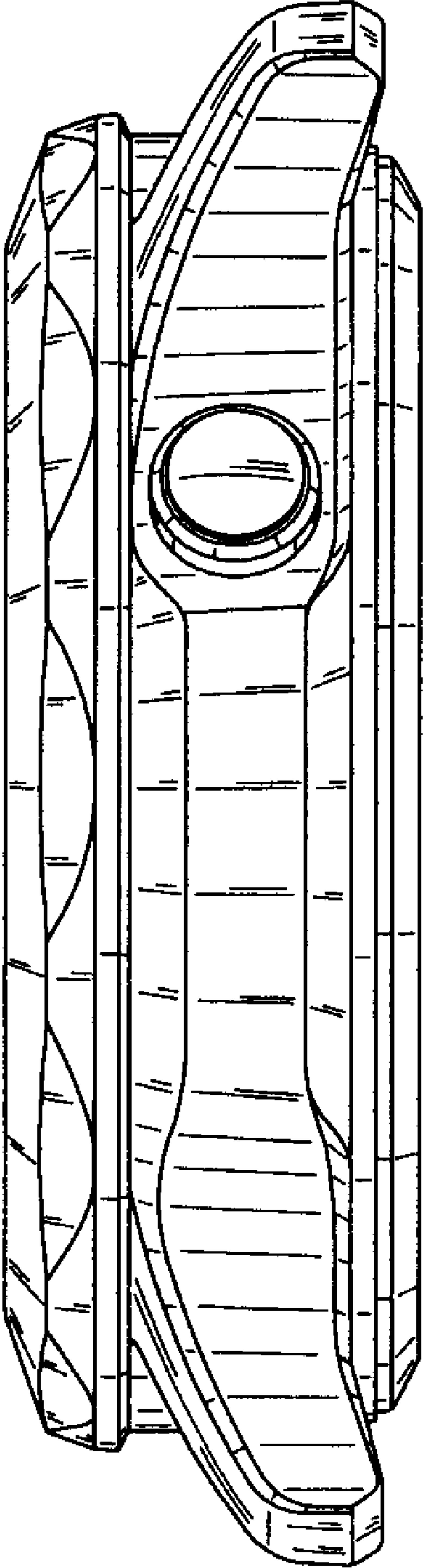


FIG. 5

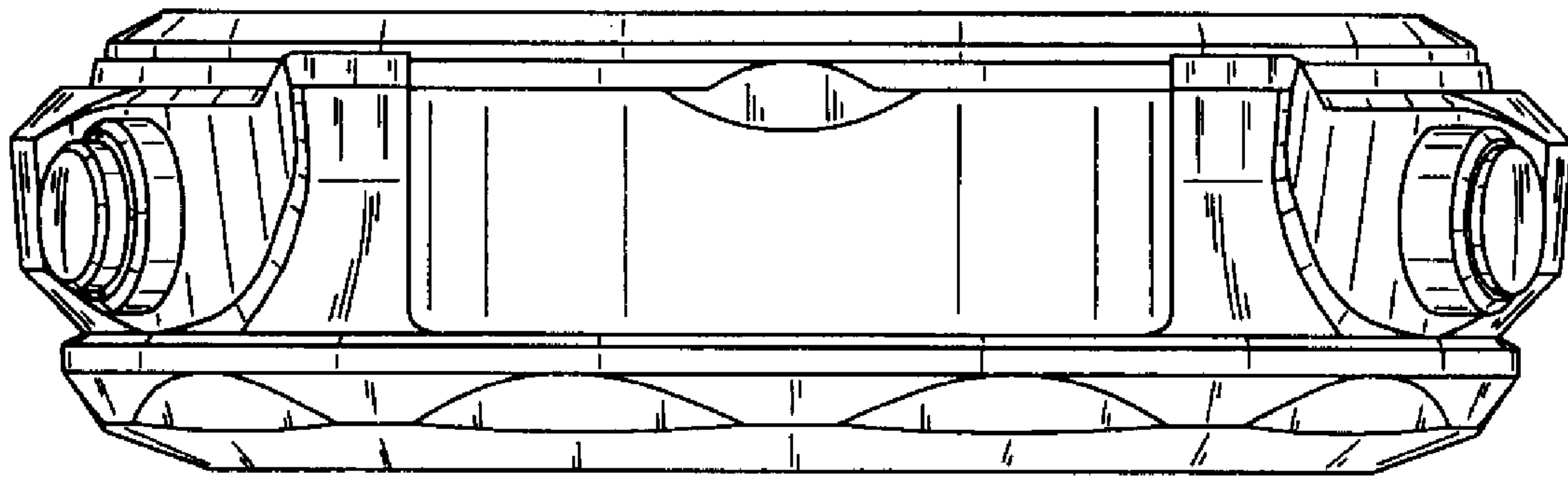


FIG. 6

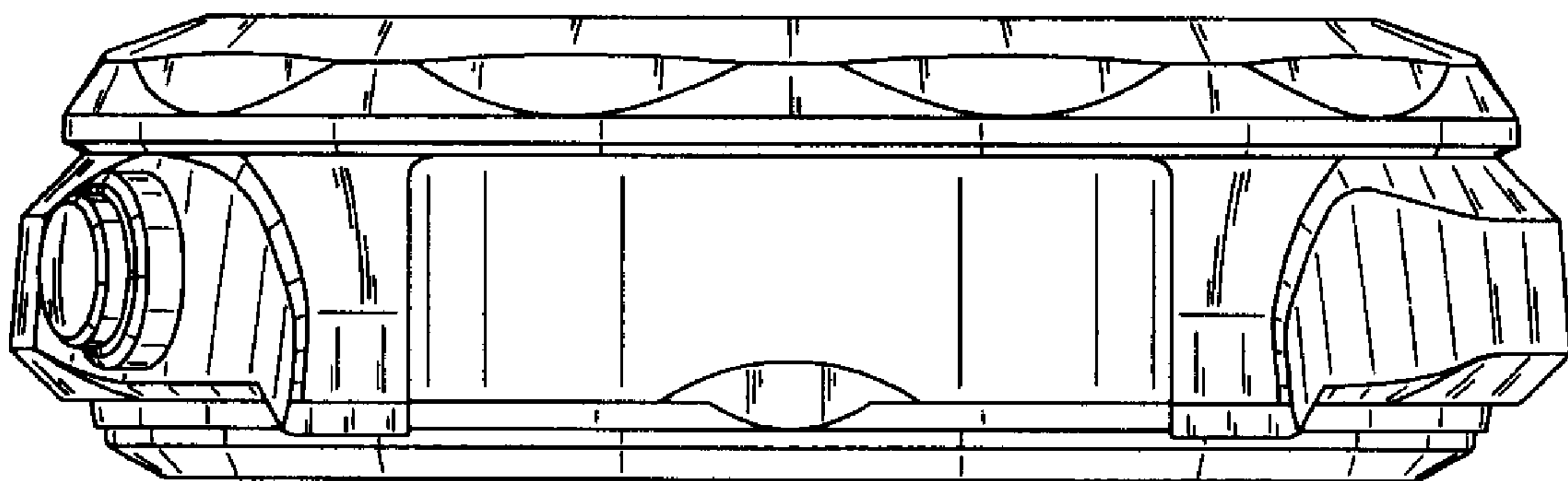


FIG. 7