

US00D536267S

(12) **United States Design Patent**
Vigil et al.

(10) **Patent No.:** **US D536,267 S**

(45) **Date of Patent:** **** Feb. 6, 2007**

(54) **WATCH**

(76) Inventors: **Harold Vigil**, 107 Erie St., Blauvelt,
NY (US) 10913; **Mariane Vigil**, 107
Erie St., Blauvelt, NY (US) 10913;
Michael Vigil, P.O. Box 70, Blauvelt,
NY (US) 10913

(**) **Term:** **14 Years**

(21) **Appl. No.:** **29/225,159**

(22) **Filed:** **Mar. 14, 2005**

(51) **LOC (8) Cl.** **10-02**

(52) **U.S. Cl.** **D10/38**

(58) **Field of Classification Search** D10/30-39,
D10/122-129; 368/80, 223, 228-229, 232,
368/276, 280-283, 285, 28-30, 21
See application file for complete search history.

(56) **References Cited**

U.S. PATENT DOCUMENTS

D238,413 S	*	1/1976	Blanchard	D10/38
D404,315 S	*	1/1999	Azegami	D10/30
D404,316 S	*	1/1999	Azegami et al.	D10/30
D407,027 S	*	3/1999	Kubo et al.	D10/30
D407,326 S	*	3/1999	Sakai	D10/30
D421,724 S	*	3/2000	Chodat	D10/30

D438,123 S	*	2/2001	Choi et al.	D10/30
D449,006 S	*	10/2001	Blauner et al.	D10/30
D456,284 S	*	4/2002	Wilson	D10/32
D456,724 S	*	5/2002	Wilson	D10/32
D480,653 S	*	10/2003	Lo	D10/32
D508,031 S	*	8/2005	Kim et al.	D14/138

* cited by examiner

Primary Examiner—Janice Seeger

Assistant Examiner—Zenia I. Bennett

(57) **CLAIM**

We claim, the ornamental design for a watch, as shown and described.

DESCRIPTION

FIG. 1 is a perspective view of a watch, showing my new design;

FIG. 2 is a top plan view of the watch.

FIG. 3 is an end elevational view of the watch;

FIG. 4 is a plan view of the bottom of the watch.

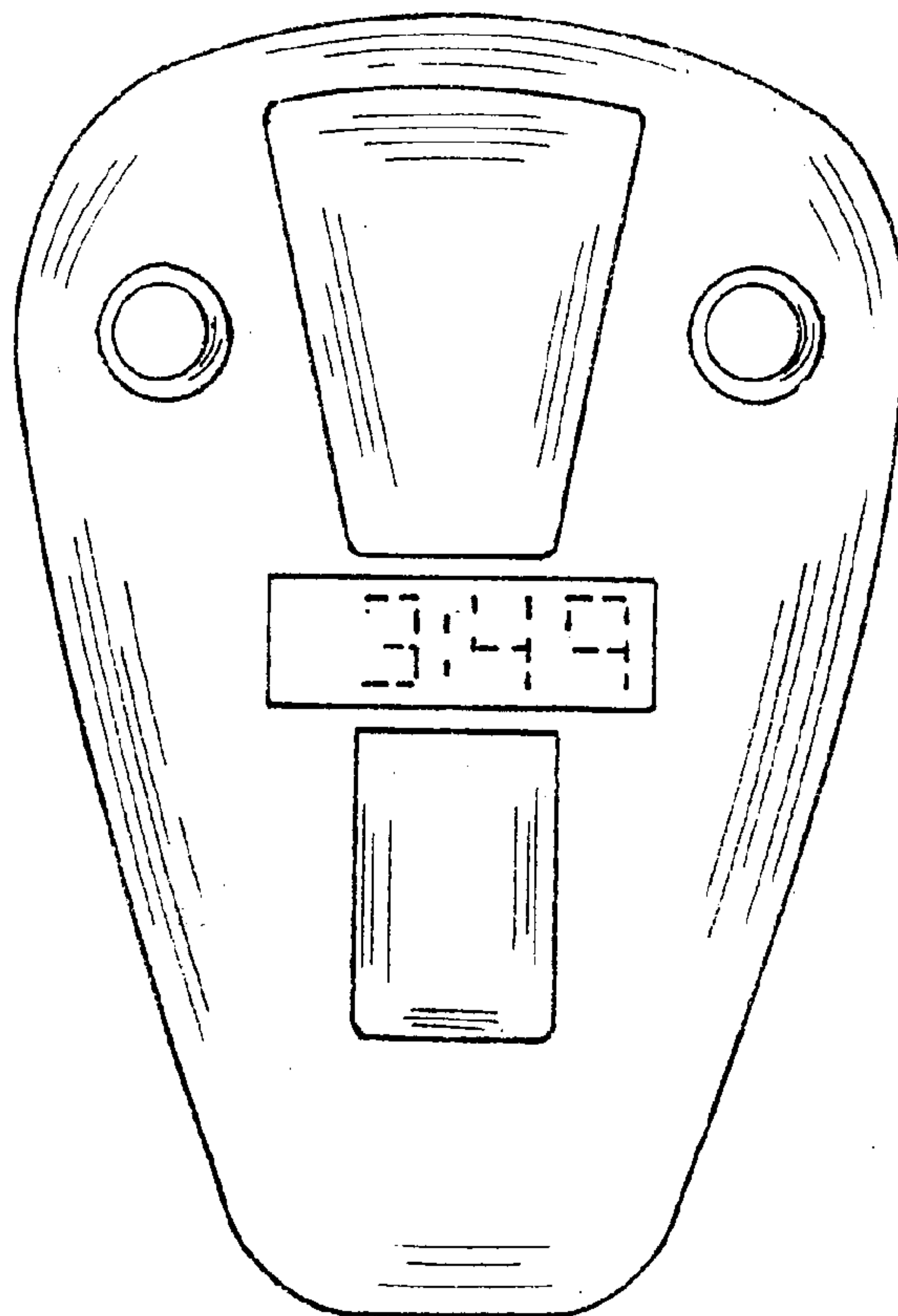
FIG. 5 is an end elevational view showing the end opposite that shown in FIG. 3;

FIG. 6 is a left side elevational view of the watch; and,

FIG. 7 is a right side elevational view of the watch.

The broken lines in the drawing are for illustrative purposes only and form no part of the claimed design.

1 Claim, 3 Drawing Sheets



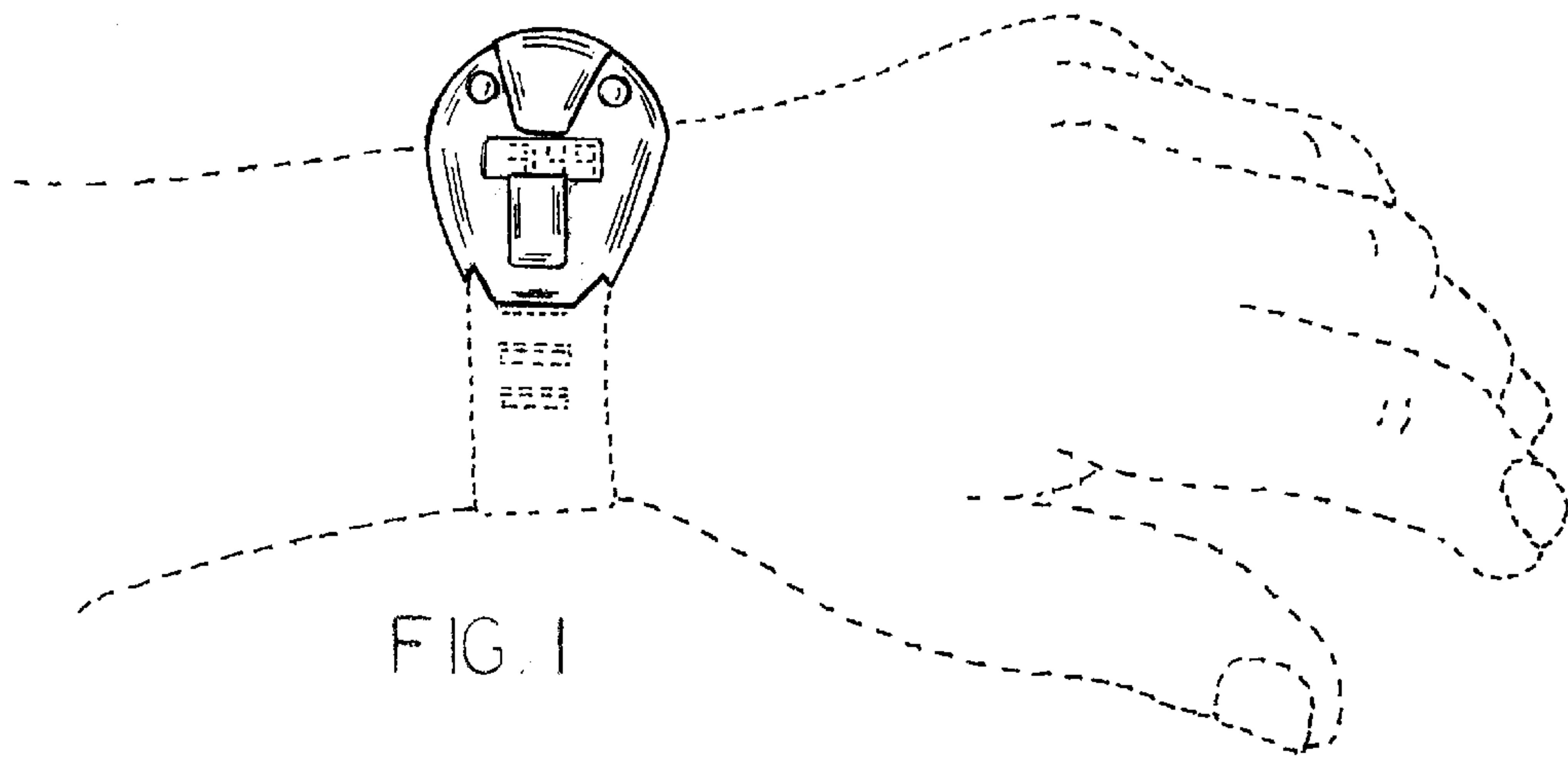


FIG. 1

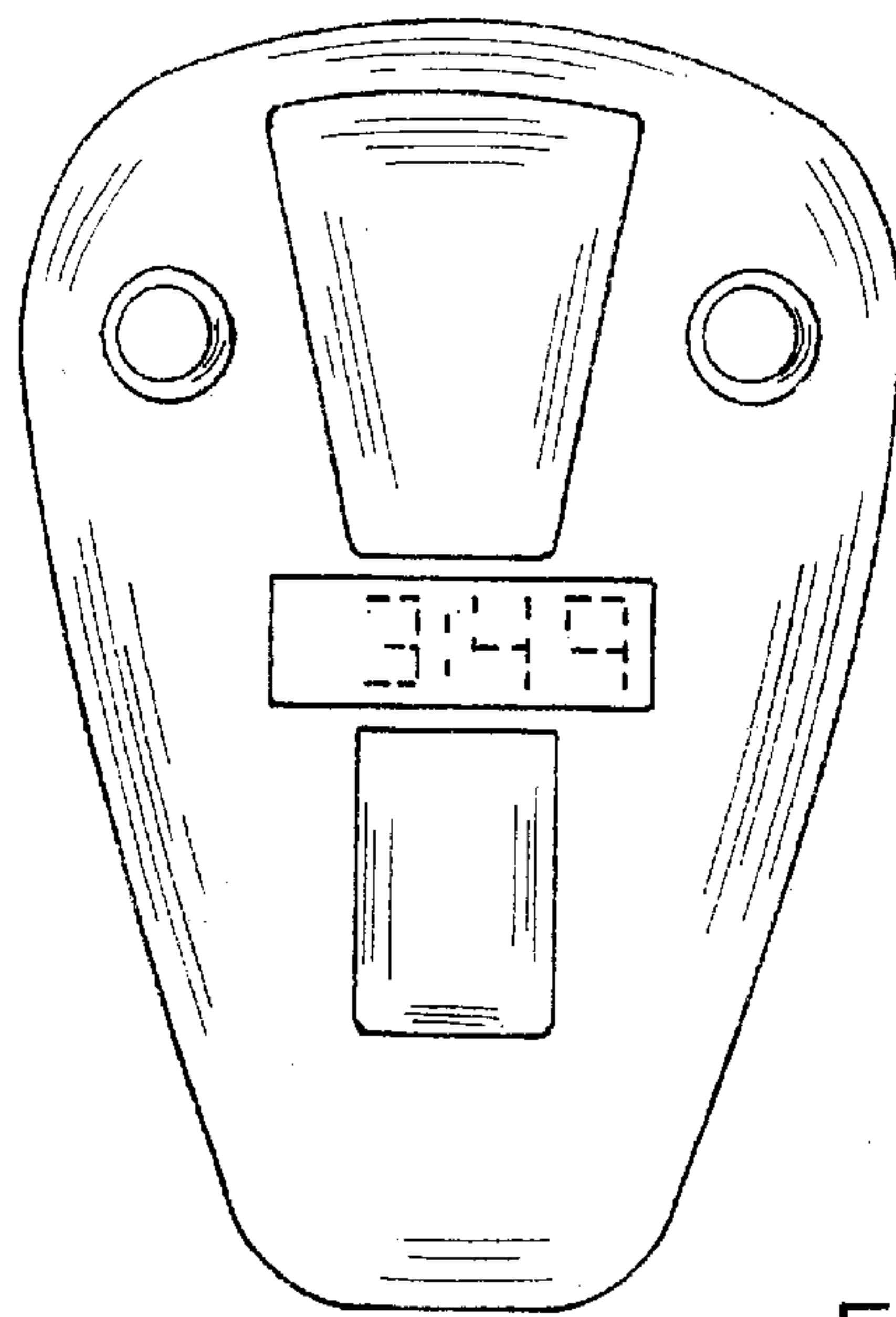


FIG. 2

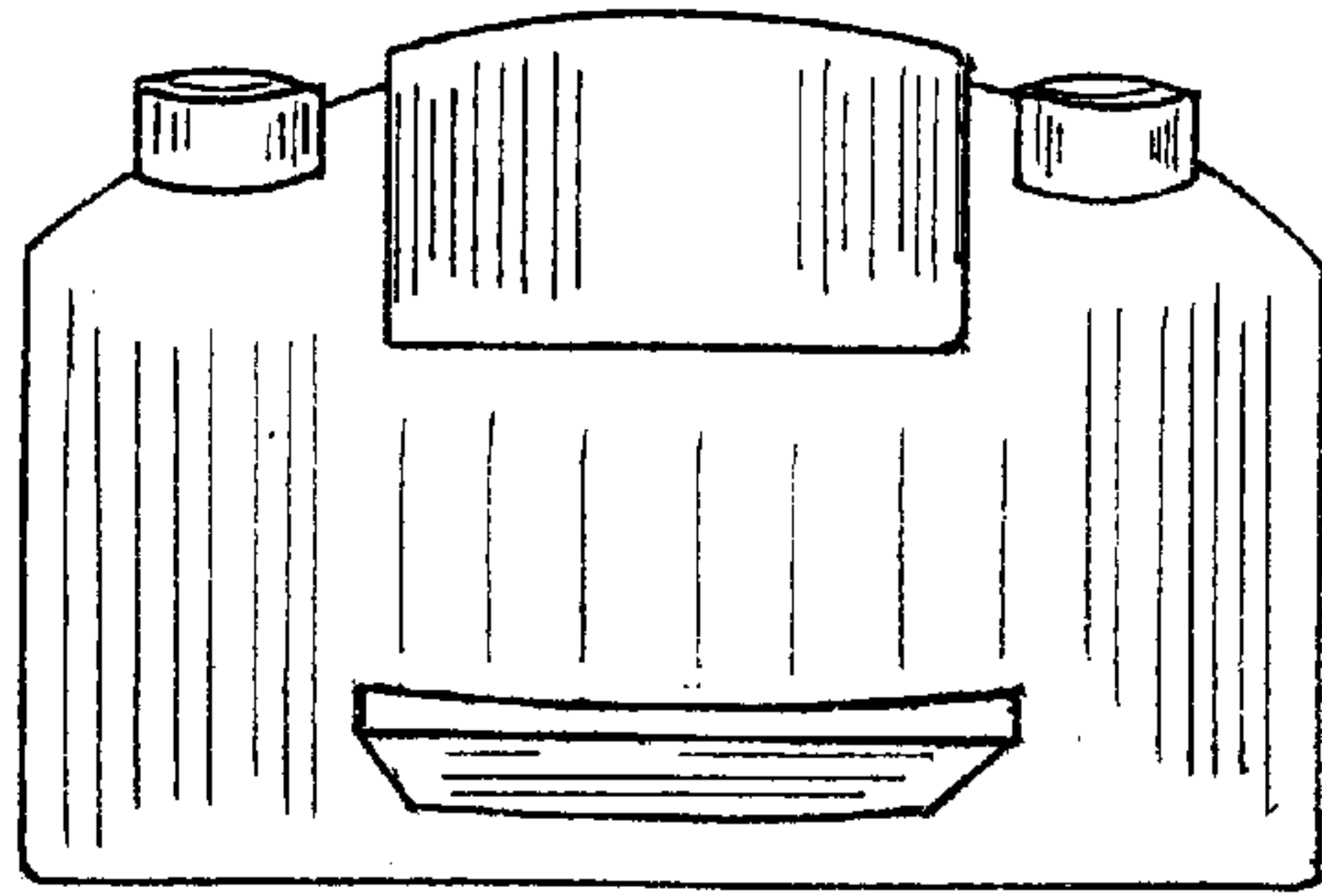


FIG. 3

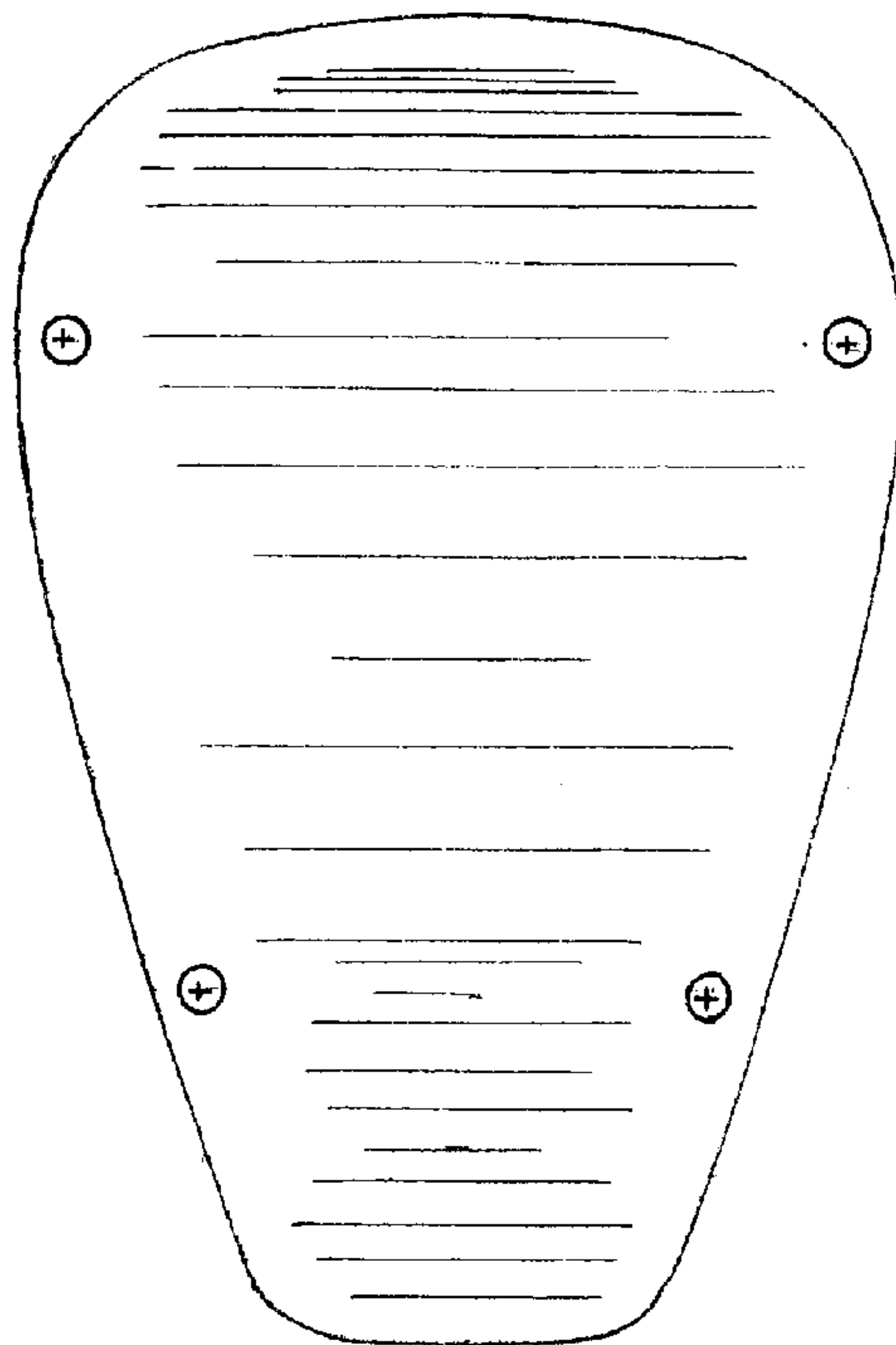


FIG. 4

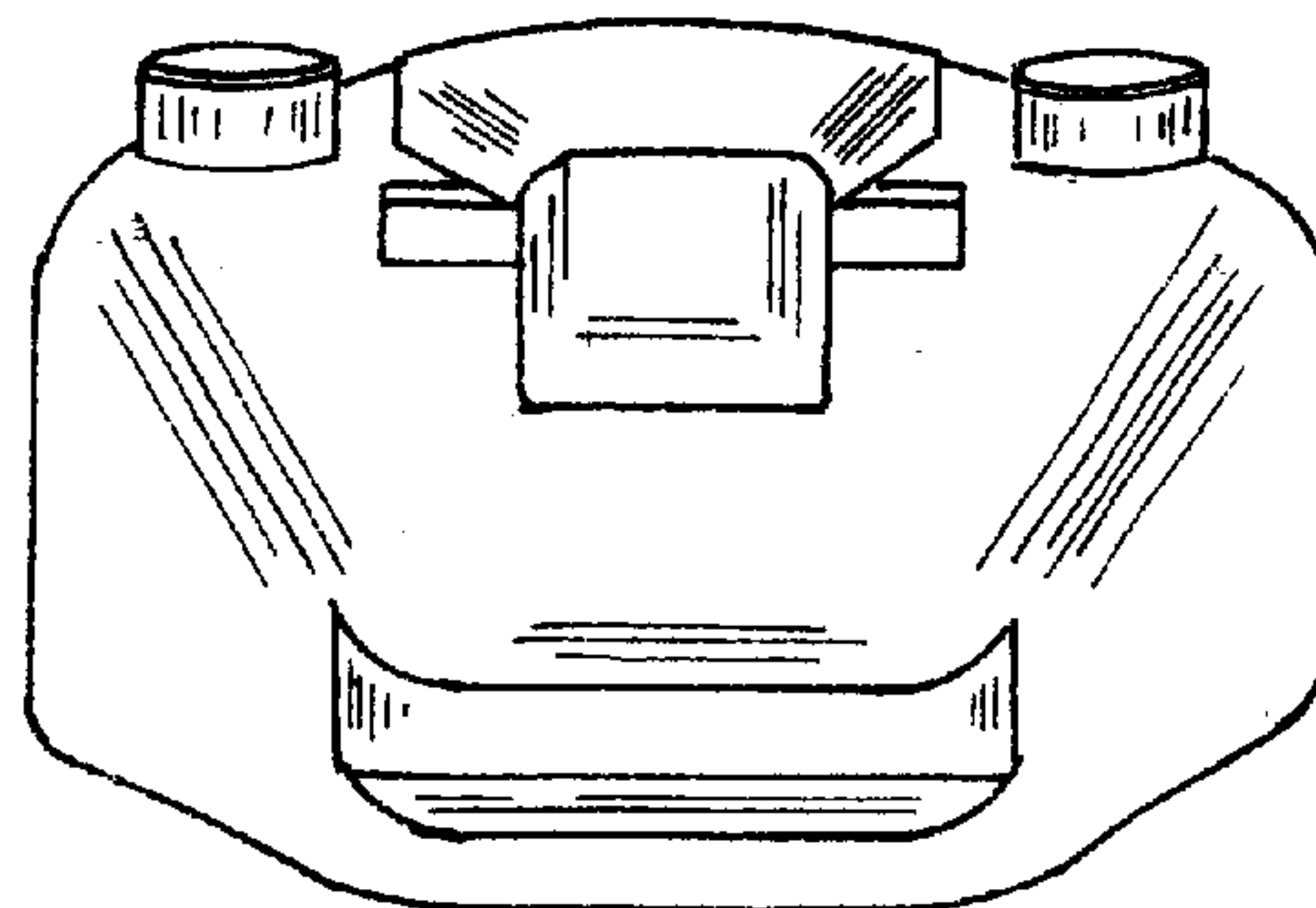


FIG 5

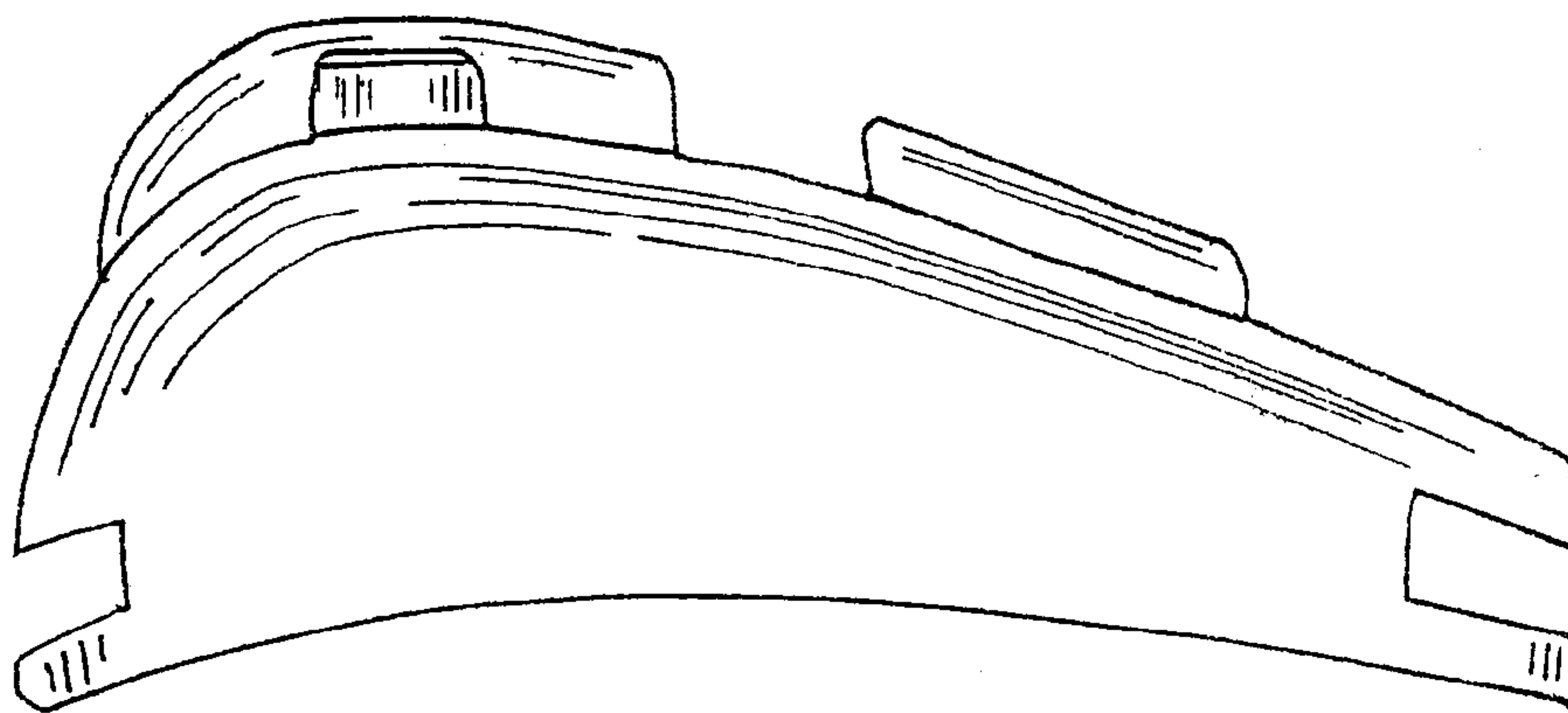


FIG. 6

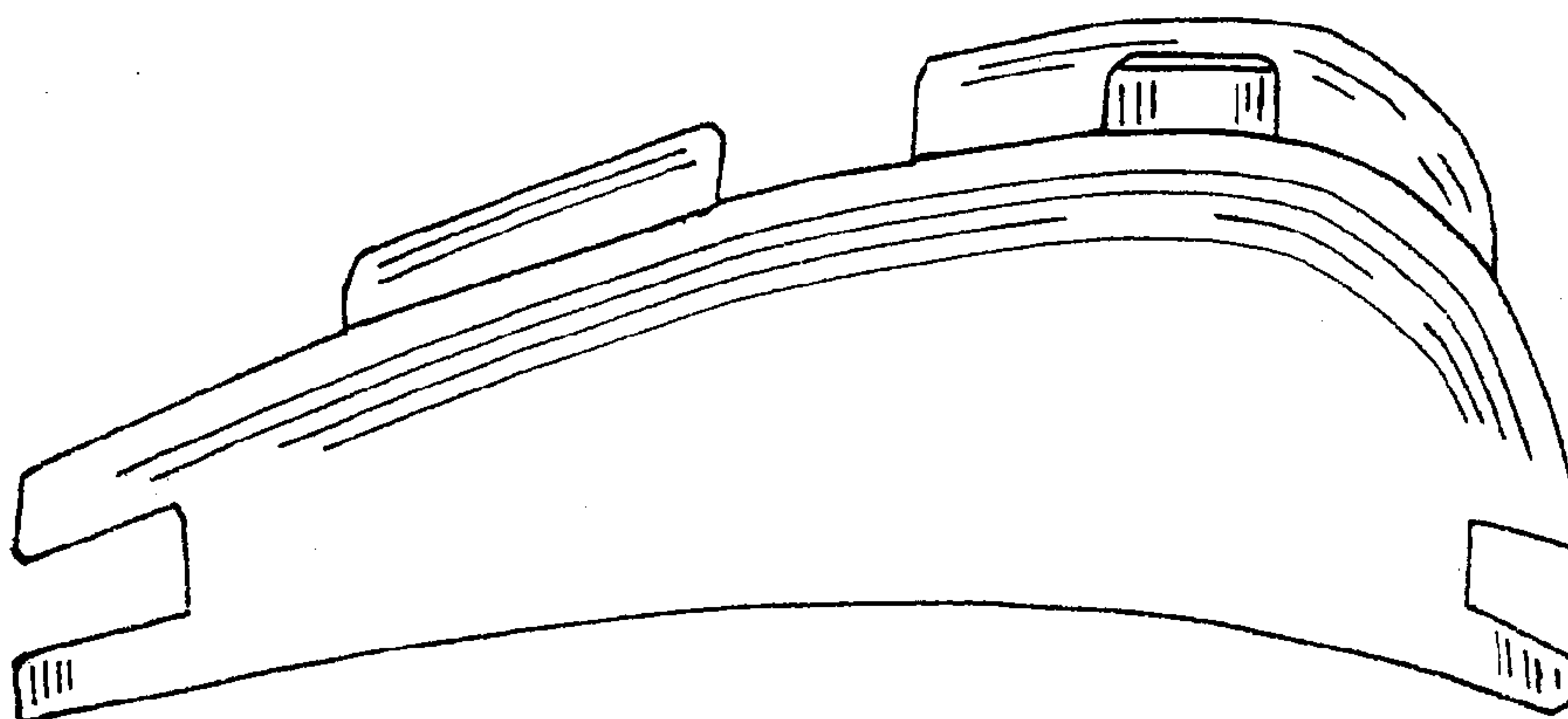


FIG 7