



US00D536265S

(12) **United States Design Patent**
Reynoso

(10) **Patent No.:** **US D536,265 S**

(45) **Date of Patent:** **** Feb. 6, 2007**

(54) **COMBINED WATCH AND TRACKING DEVICE**

(76) Inventor: **Patricia D. Reynoso**, 715 NW. 200 St., Miami, FL (US) 33169

(**) Term: **14 Years**

(21) Appl. No.: **29/215,411**

(22) Filed: **Oct. 20, 2004**

(51) **LOC (8) Cl.** **10-02**

(52) **U.S. Cl.** **D10/31; D10/65**

(58) **Field of Classification Search** D10/30-39, D10/122-129, 65-70; 368/80, 223, 228-229, 368/232, 276, 280-283, 285, 28-30, 21
See application file for complete search history.

(56) **References Cited**

U.S. PATENT DOCUMENTS

D265,295 S	*	7/1982	Wada	D10/38
D285,662 S	*	9/1986	Kano	D10/39
D288,412 S	*	2/1987	Nunes	D10/6
4,673,936 A	*	6/1987	Kotoh	342/51
D293,892 S	*	1/1988	Ichikawa	D10/38
4,800,543 A		1/1989	Lyndon-James et al.		
4,853,682 A	*	8/1989	Asano et al.	345/169
5,088,070 A	*	2/1992	Shiff	368/10
5,184,830 A	*	2/1993	Okada et al.	463/29
D335,460 S	*	5/1993	Tanaka	D10/40
5,247,137 A	*	9/1993	Epperson	178/19.04
5,305,181 A		4/1994	Schultz		

D361,042 S	*	8/1995	Nanayakkara	D10/31
D361,723 S	*	8/1995	Nanayakkara	D10/31
D367,890 S	*	3/1996	Osterhout	D21/329
D392,572 S	*	3/1998	Larsen et al.	D10/40
D395,875 S	*	7/1998	Aiken et al.	D14/411
5,936,530 A		8/1999	Meinhold		
D421,396 S		3/2000	Nakai		
D441,304 S		5/2001	Dunston		
D443,300 S	*	6/2001	Kim et al.	D19/36
D446,213 S	*	8/2001	Chen et al.	D14/411
D461,134 S	*	8/2002	Eckelberger	D10/65
D461,499 S	*	8/2002	Boyle et al.	D19/36
6,477,117 B1		11/2002	Narayanaswami et al.		
6,590,835 B2		7/2003	Farine et al.		

* cited by examiner

Primary Examiner—Janice Seeger
Assistant Examiner—Zenia I Bennett

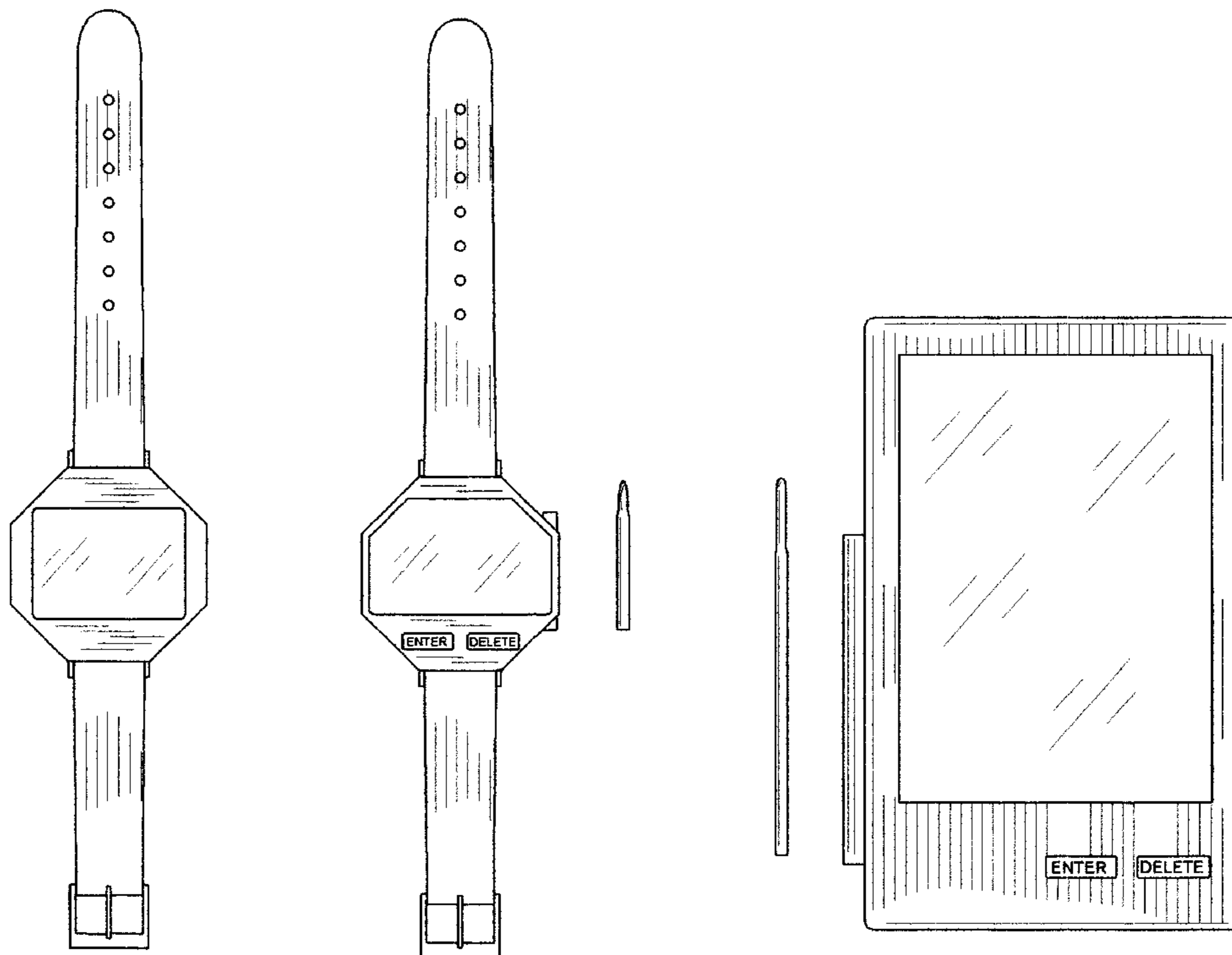
(57) **CLAIM**

The ornamental design for a combined watch and tracking device, as shown and described.

DESCRIPTION

FIG. 1 is a front elevational view of a combined watch and tracking device showing my new design; FIG. 2 is a rear elevational view thereof; FIG. 3 is a right side elevational view thereof; FIG. 4 is a left side elevational view thereof; FIG. 5 is a top plan view thereof; and, FIG. 6 is a bottom plan view thereof.

1 Claim, 5 Drawing Sheets



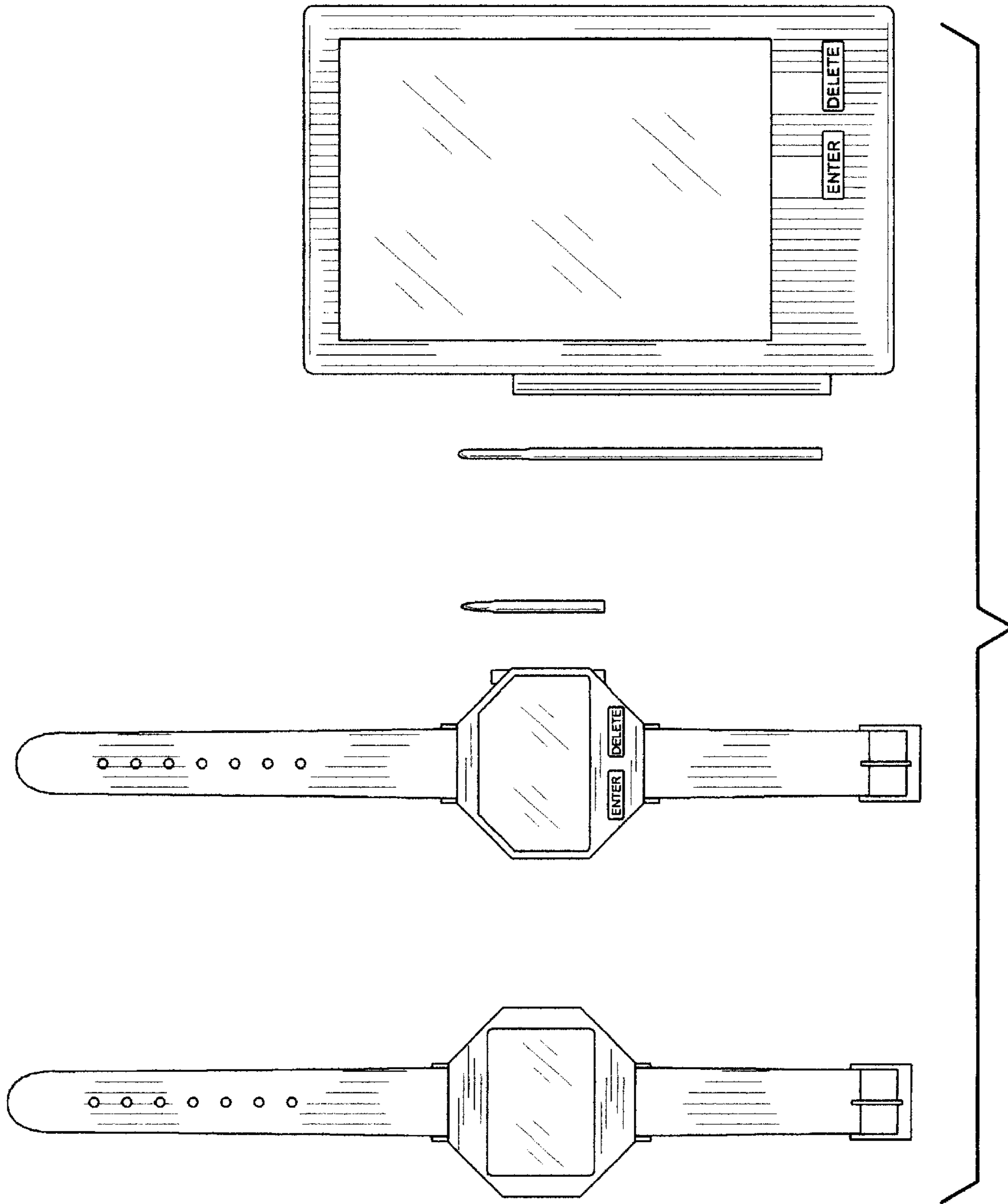


FIG. 1

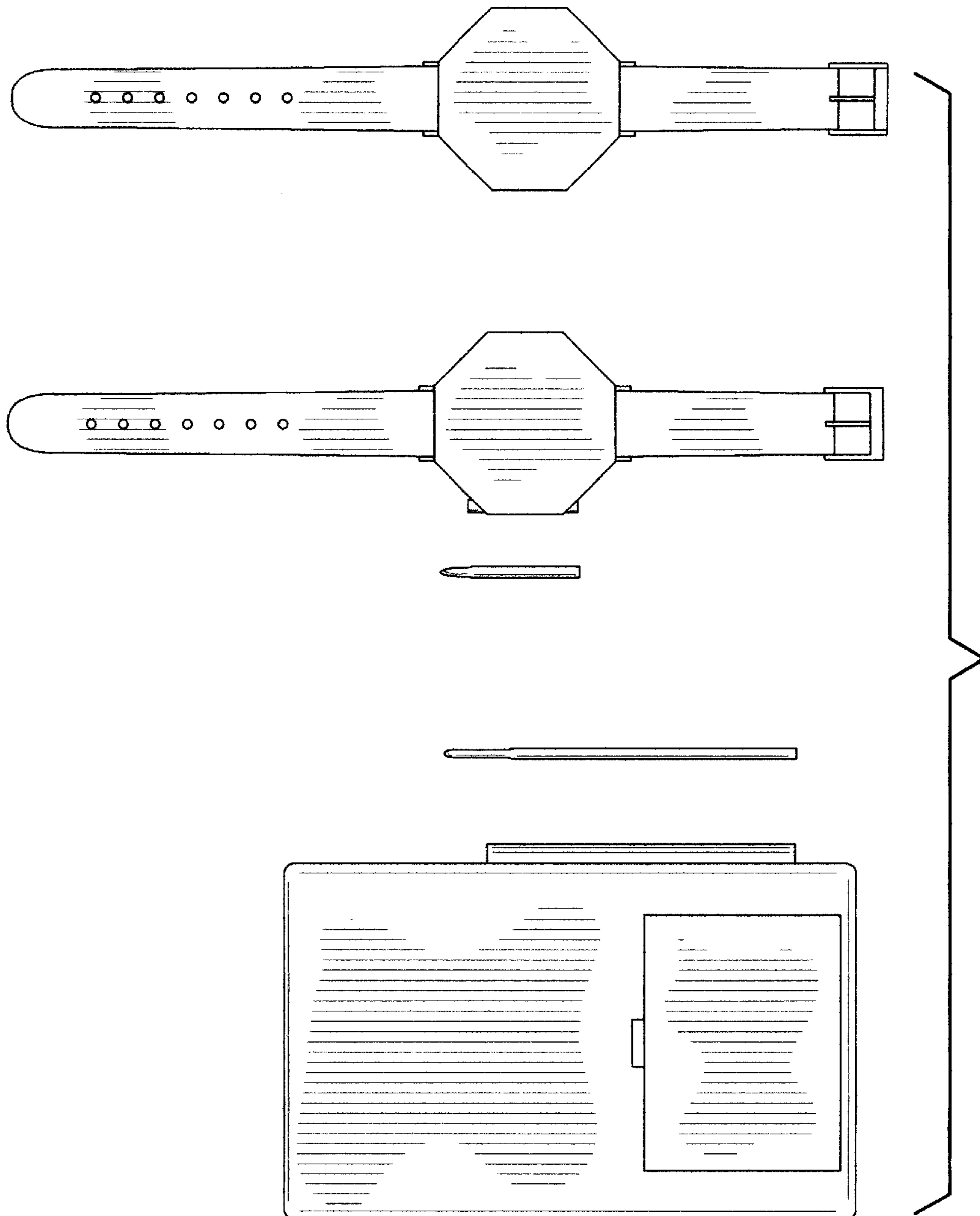


FIG. 2

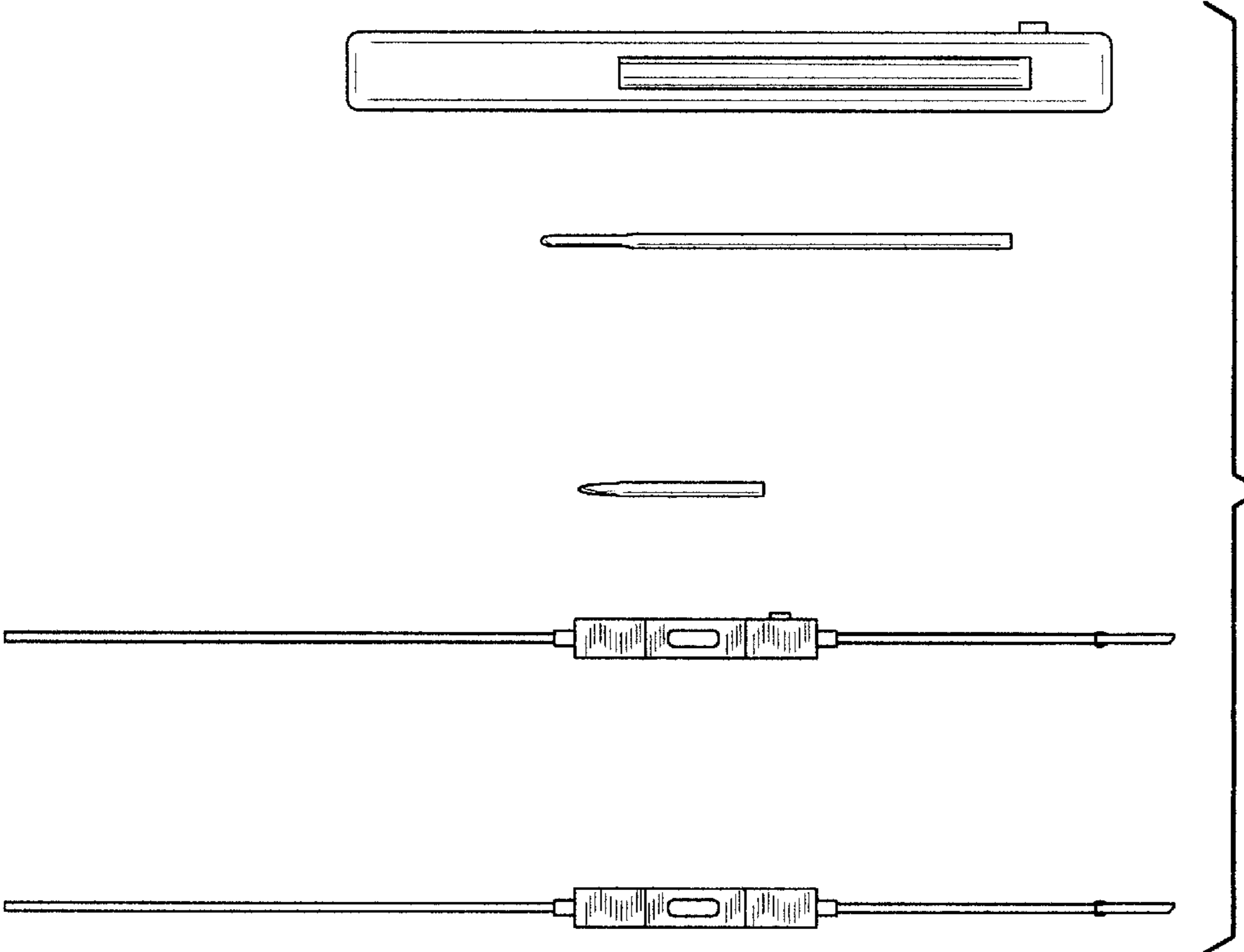


FIG. 3

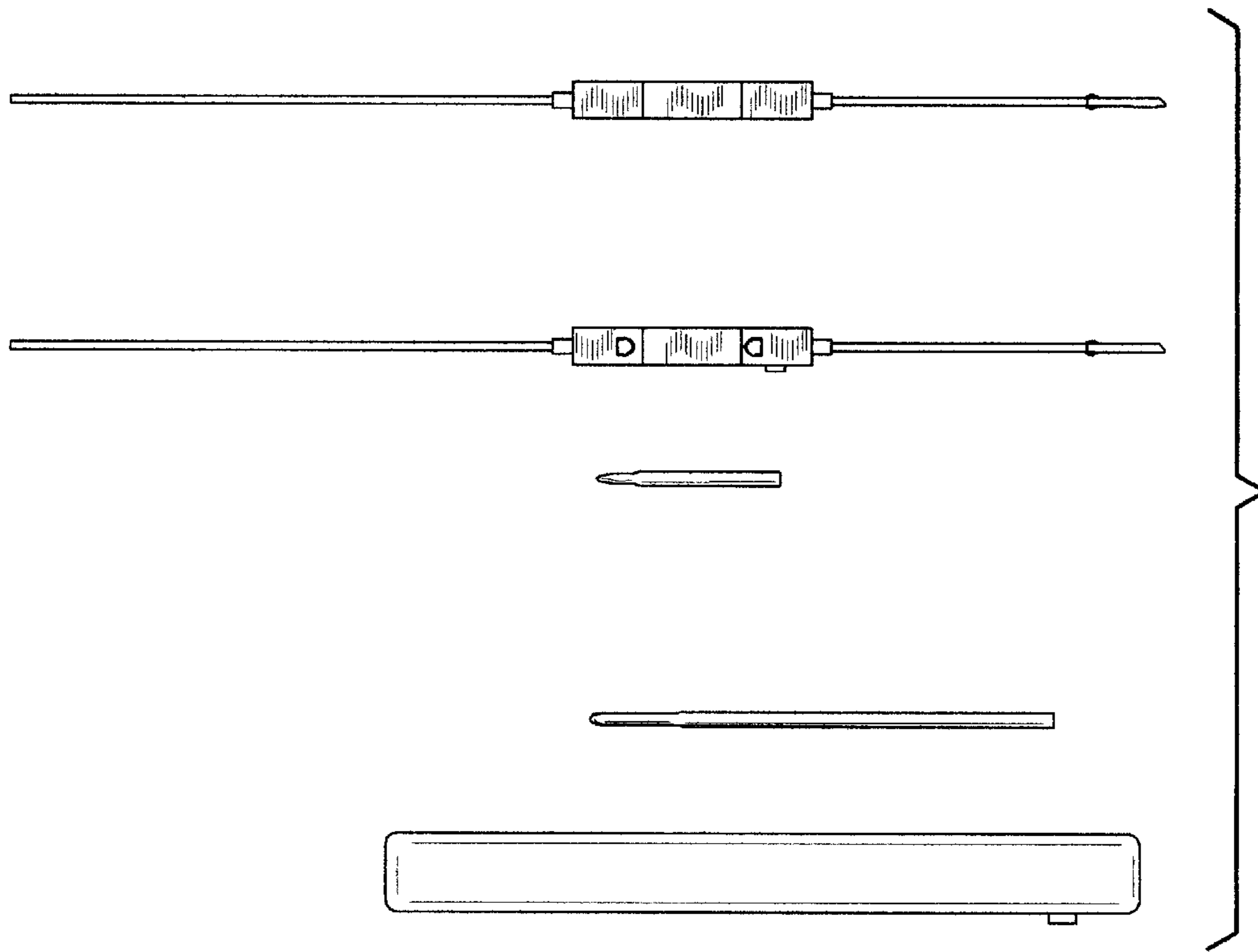


FIG. 4

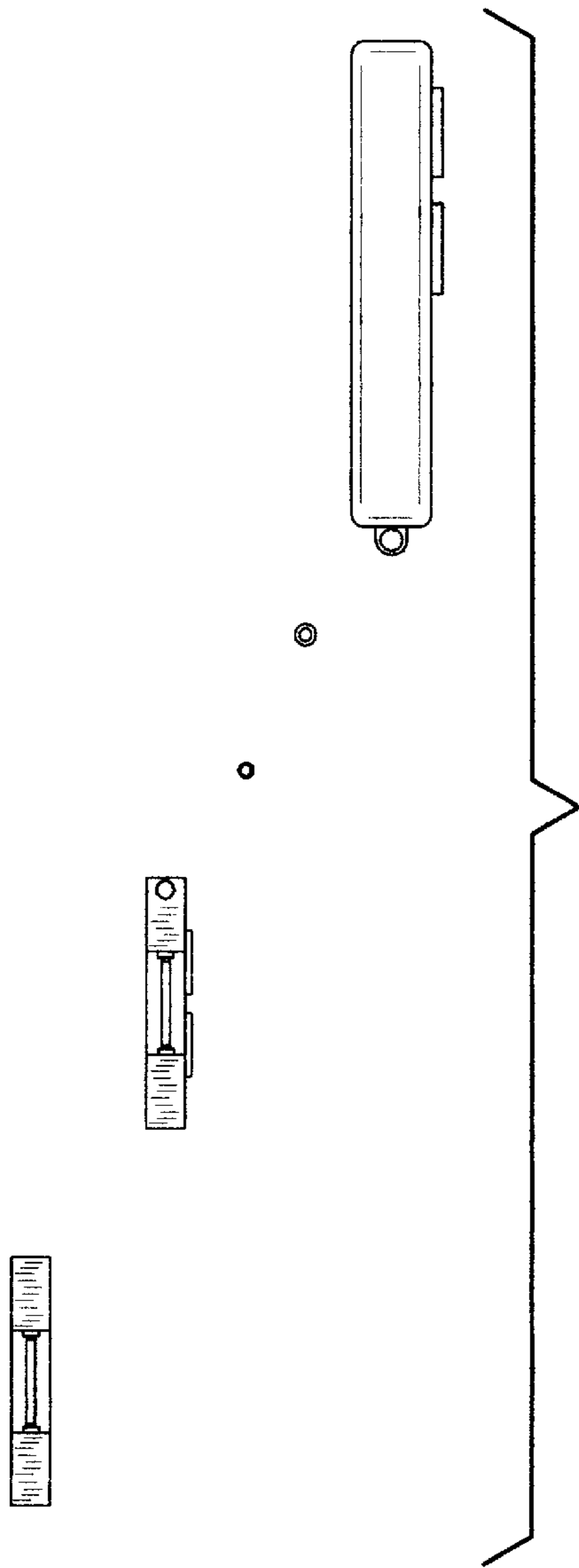


FIG. 5

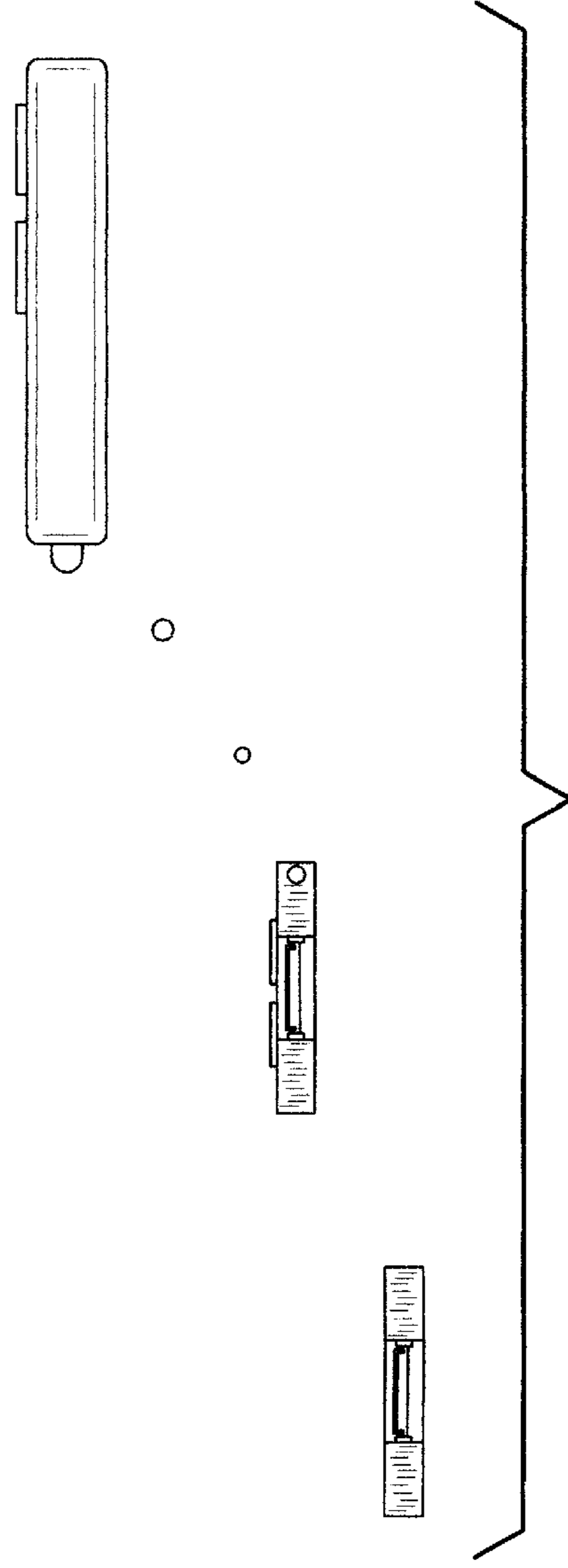


FIG. 6