



US00D536260S

(12) **United States Design Patent**
Young et al.

(10) **Patent No.:** **US D536,260 S**

(45) **Date of Patent:** **** Feb. 6, 2007**

(54) **PRODUCT PACKAGING**

(75) Inventors: **James V. Young**, St. Louis, MO (US);
Kevin R. Pyles, St. Charles, MO (US);
Jason P. Keeven, St. Louis, MO (US);
Tony E. Marshall, Kirkwood, MO (US)

(73) Assignee: **XG-3D**, St. Louis, MO (US)

(**) Term: **14 Years**

(21) Appl. No.: **29/239,092**

(22) Filed: **Sep. 26, 2005**

(51) **LOC (8) Cl.** **09-01**

(52) **U.S. Cl.** **D9/675**

(58) **Field of Classification Search** D3/270-271.1,
D3/271.11-271.12; D9/600, 672, 675-676;
D21/548, 552; D7/604, 606; 206/457, 459.5,
206/549, 769, 822, 823; 220/890; 229/116.4
See application file for complete search history.

(56) **References Cited**

U.S. PATENT DOCUMENTS

D238,697 S * 2/1976 McKague D21/552

D256,670 S * 9/1980 Fish D9/675
D386,399 S * 11/1997 Stokely et al. D9/675
D410,776 S * 6/1999 Aganian D3/271.12
6,568,532 B1 * 5/2003 Leach 206/457

* cited by examiner

Primary Examiner—Sandra L Morris

(74) *Attorney, Agent, or Firm*—Polster, Lieder Woodruff & Luchesi, L.C.

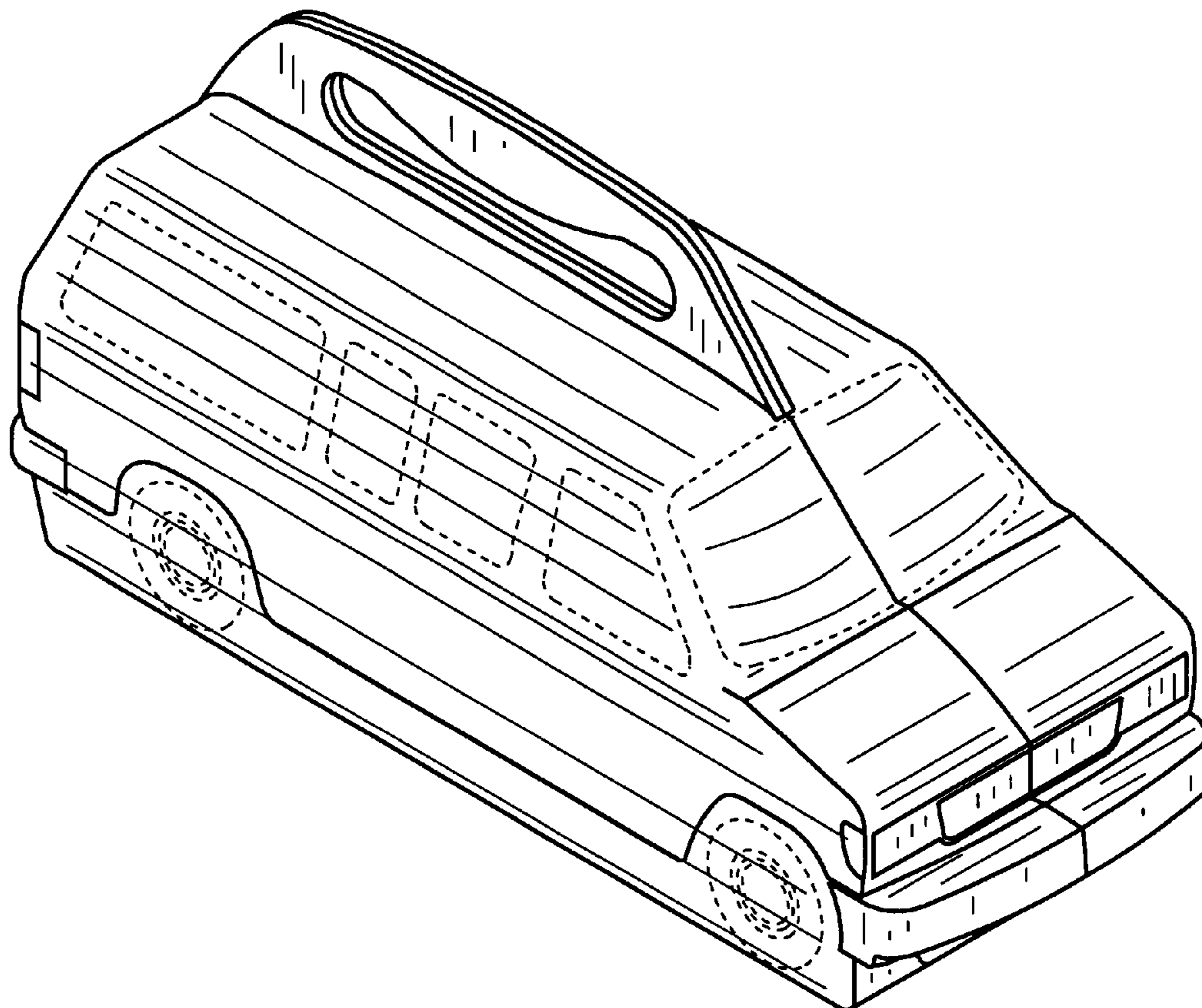
(57) **CLAIM**

The ornamental design for product packaging, as shown and described.

DESCRIPTION

FIG. 1 is a perspective view of the product packaging in the shape of a vehicle;
FIG. 2 is a right side elevational view thereof;
FIG. 3 is a left side elevational view thereof;
FIG. 4 is a top plan view thereof;
FIG. 5 is a bottom plan view thereof;
FIG. 6 is a front elevational view thereof; and,
FIG. 7 is a back elevational view thereof.
The broken line showing is for illustrative purposes only, and forms no part of the claimed design.

1 Claim, 2 Drawing Sheets



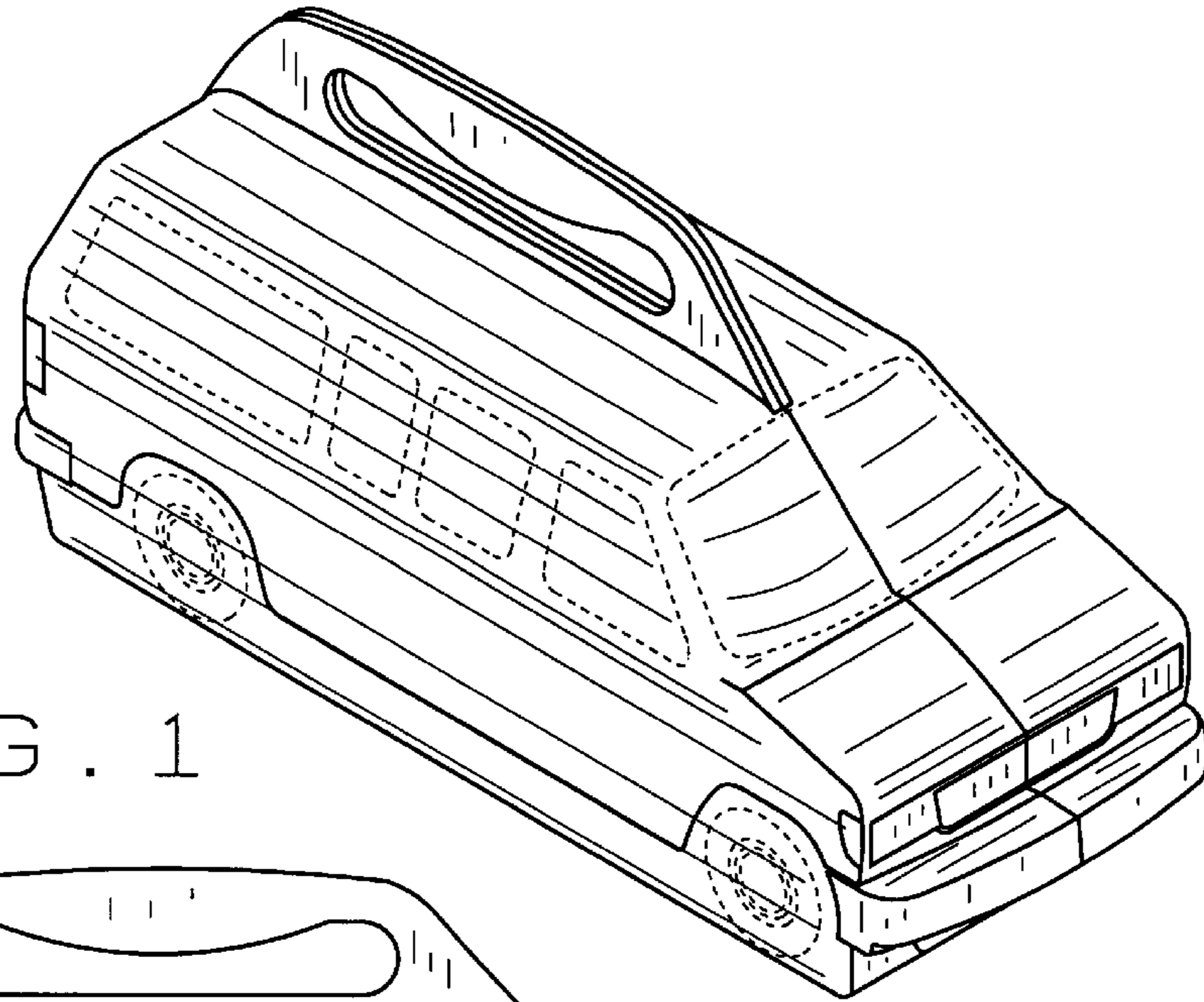


FIG. 1

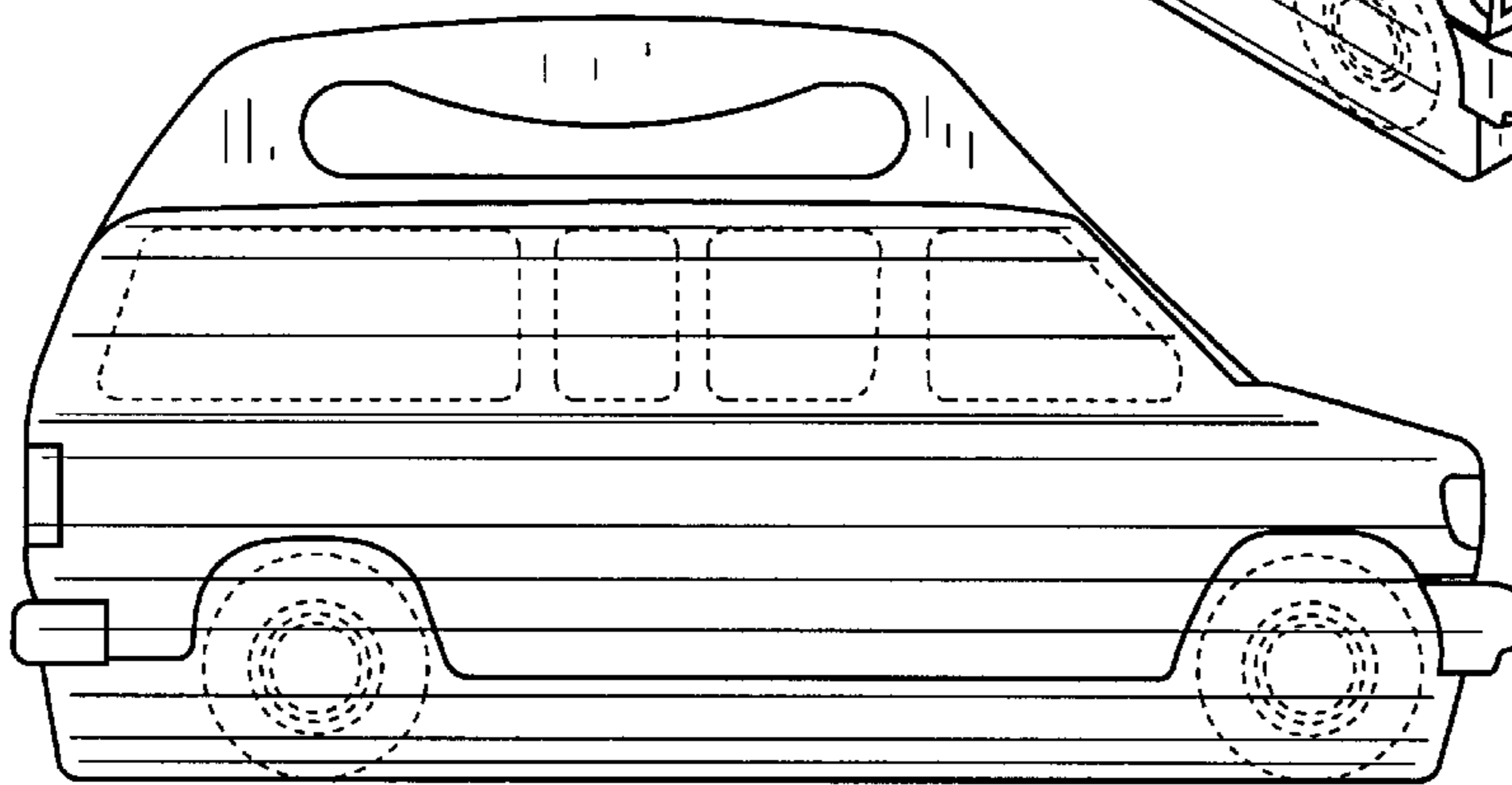


FIG. 2

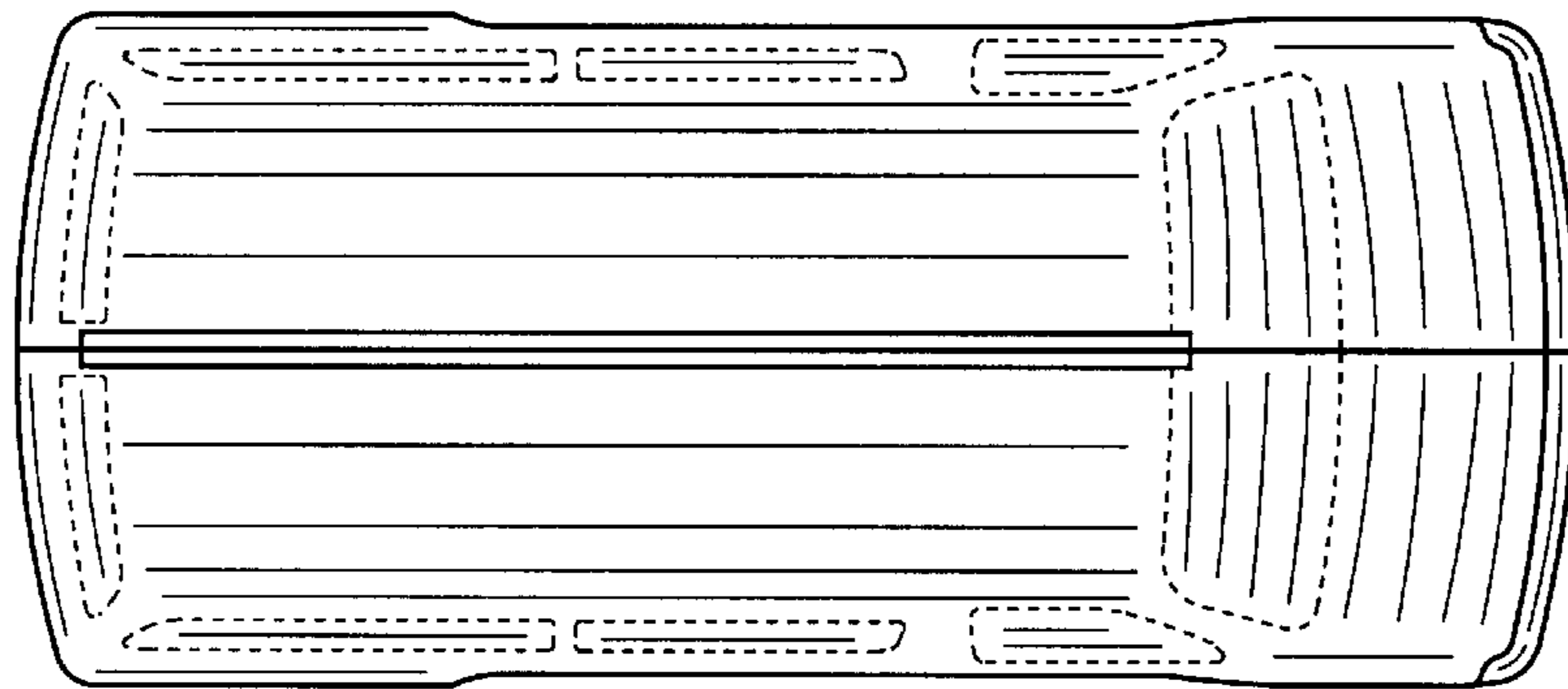


FIG. 4

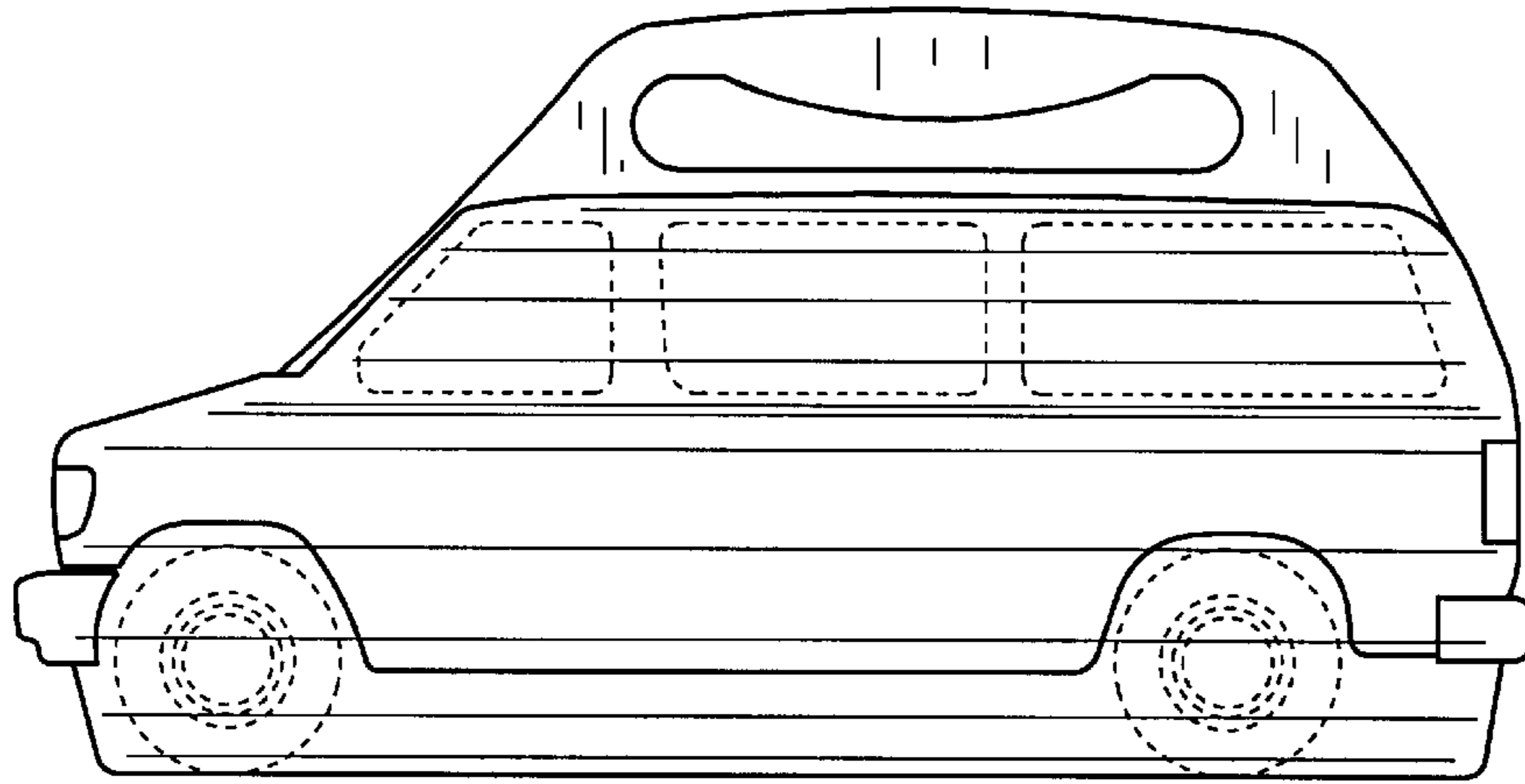


FIG. 3

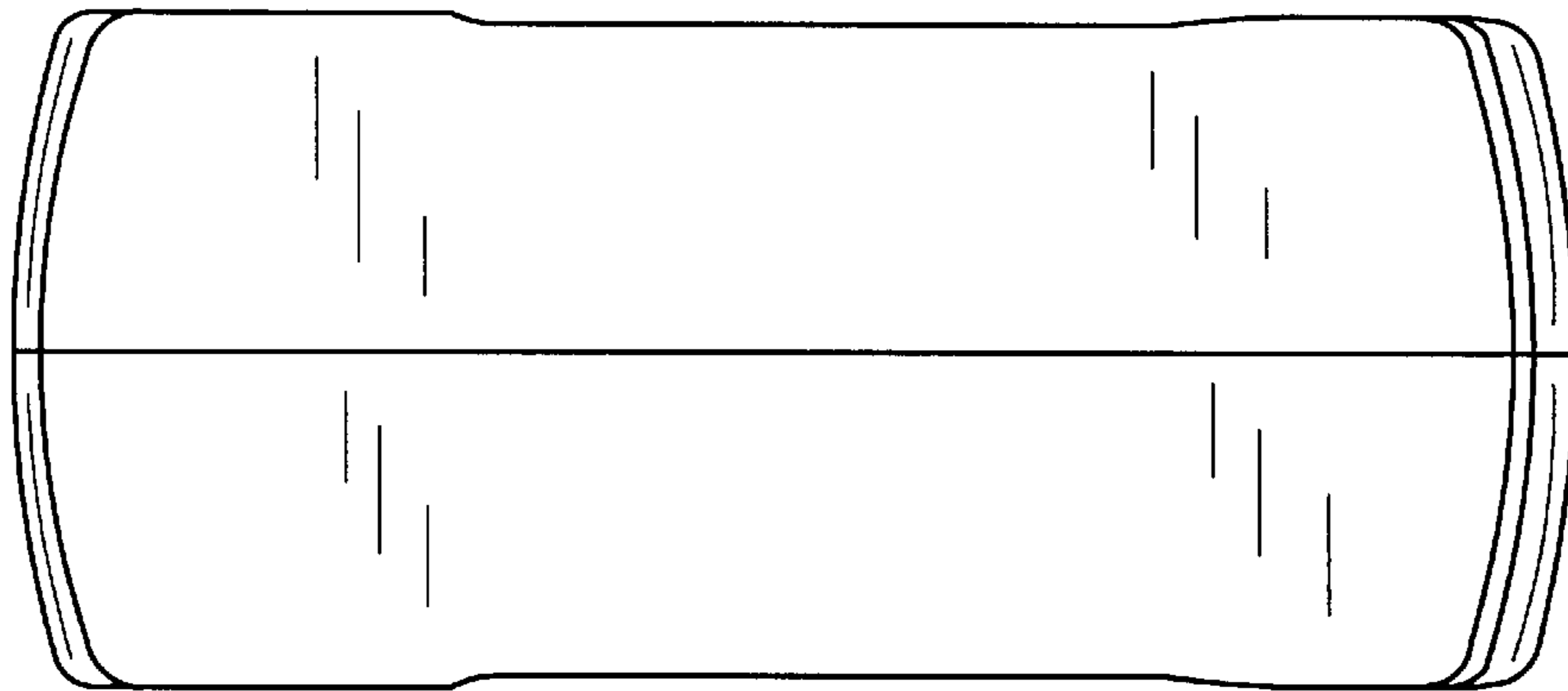


FIG. 5

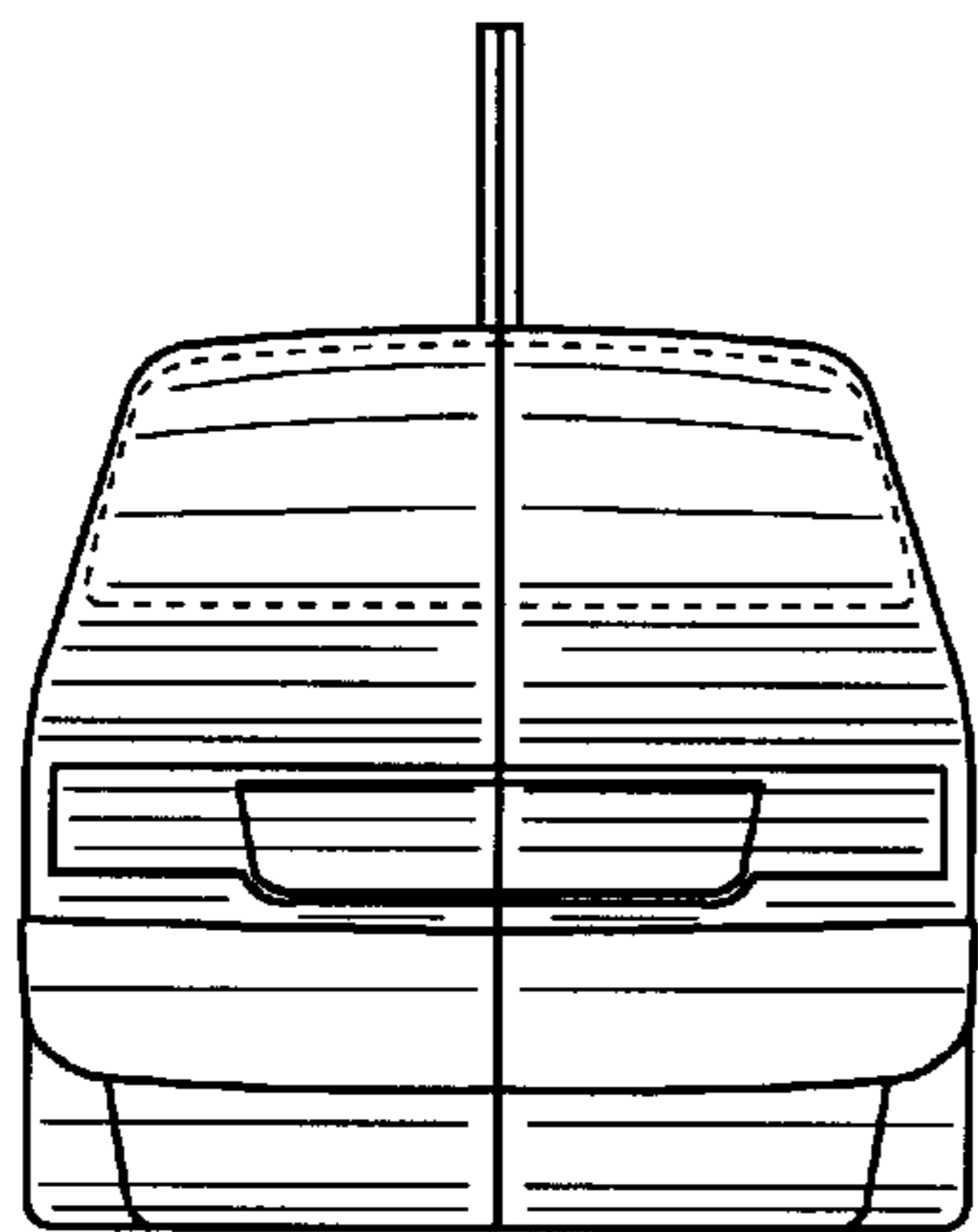


FIG. 6

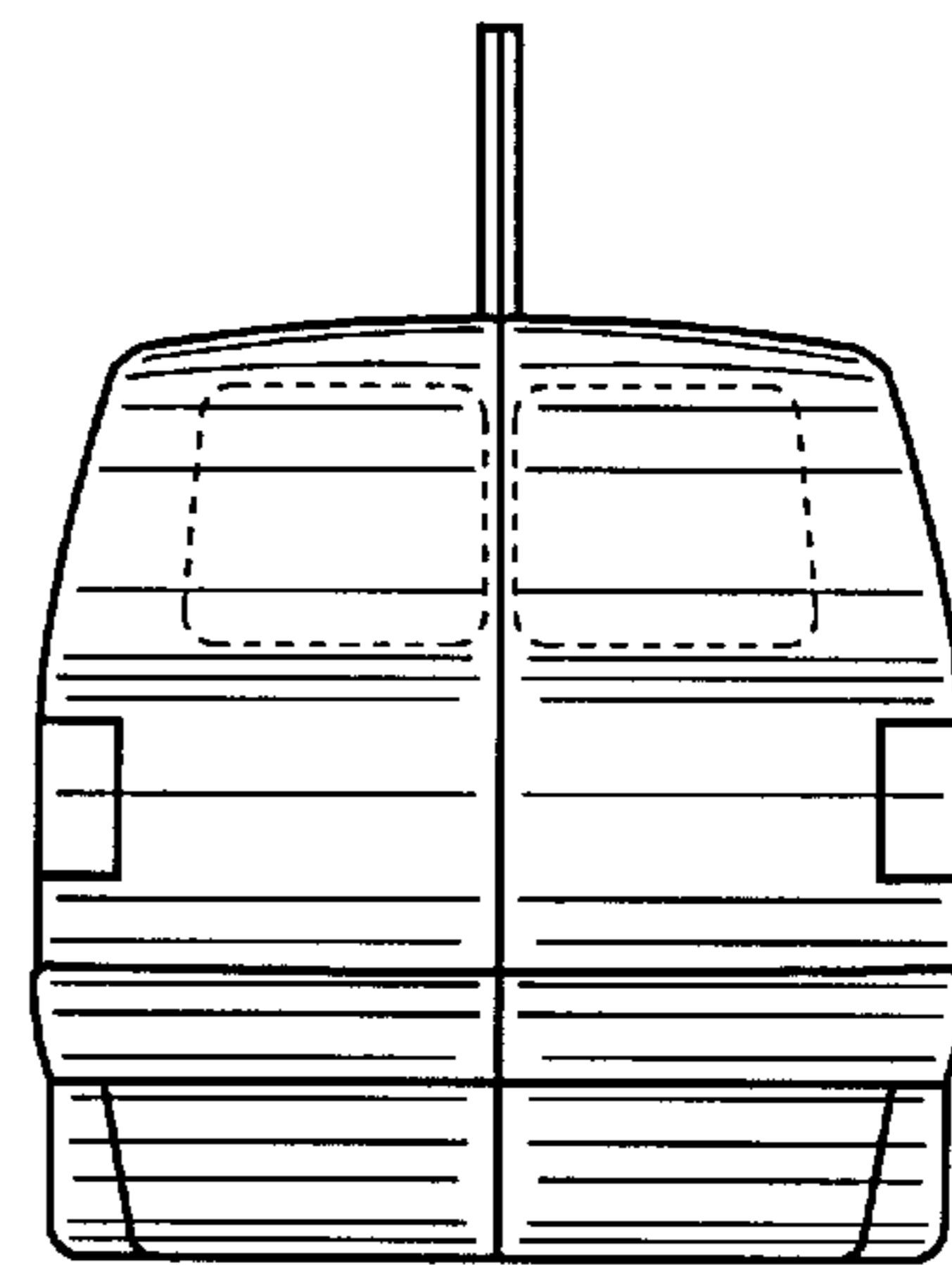


FIG. 7

UNITED STATES PATENT AND TRADEMARK OFFICE
CERTIFICATE OF CORRECTION

PATENT NO. : Des. 536,260 S
APPLICATION NO. : 29/239092
DATED : February 6, 2007
INVENTOR(S) : James V. Young et al.

Page 1 of 1

It is certified that error appears in the above-identified patent and that said Letters Patent is hereby corrected as shown below:

Title Page, item (57), line 4 under "Description"

Replace "s a left"
With -- "is a left" --

Signed and Sealed this

Twenty-fourth Day of July, 2007

A handwritten signature in black ink on a light gray dotted background. The signature reads "Jon W. Dudas" in a cursive style.

JON W. DUDAS

Director of the United States Patent and Trademark Office