

US00D536258S

(12) **United States Design Patent**
Ogg et al.

(10) **Patent No.:** **US D536,258 S**
(45) **Date of Patent:** **** Feb. 6, 2007**

(54) **CONTAINER**

(75) Inventors: **Richard K. Ogg**, Littlestown, PA (US);
Seungyeol Hong, Dublin, OH (US)

(73) Assignee: **Graham Packaging Company, LP**,
York, PA (US)

(**) Term: **14 Years**

(21) Appl. No.: **29/258,967**

(22) Filed: **May 1, 2006**

5,758,790 A	6/1998	Ewing	
5,762,221 A	6/1998	Tobias et al.	
5,803,289 A	9/1998	Brady	
D420,919 S	2/2000	Ogg	
6,036,037 A	3/2000	Scheffer et al.	
6,044,997 A	4/2000	Ogg	
6,076,688 A *	6/2000	Forget	215/44
6,223,920 B1	5/2001	Lane et al.	
6,257,433 B1	7/2001	Ogg et al.	
D446,458 S *	8/2001	Gans	D9/538
6,273,282 B1	8/2001	Ogg et al.	
6,277,321 B1	8/2001	Vaillencourt et al.	

(Continued)

Related U.S. Application Data

(63) Continuation of application No. 11/298,473, filed on Dec. 12, 2005, which is a continuation-in-part of application No. 10/727,042, filed on Dec. 4, 2003, now Pat. No. 6,974,047.

(51) **LOC (8) Cl.** **09-01**

(52) **U.S. Cl.** **D9/564; D9/570; D9/574**

(58) **Field of Classification Search** D9/684,
D9/738-747, 516, 523, 526, 528, 530-531,
D9/534, 541-543, 550-553, 557, 560, 562-567,
D9/569-575; 215/10, 381-384
See application file for complete search history.

(56) **References Cited**

U.S. PATENT DOCUMENTS

3,537,498 A	11/1970	Amand	
D294,117 S *	2/1988	Rogler et al.	D9/553 X
4,877,141 A	10/1989	Hayashi et al.	
5,165,557 A	11/1992	Ota et al.	
5,178,290 A	1/1993	Ota et al.	
5,199,588 A	4/1993	Hayashi	
5,222,615 A	6/1993	Ota et al.	
5,224,614 A	7/1993	Bono et al.	
5,238,129 A	8/1993	Ota	
D340,190 S *	10/1993	Skidmore et al.	D9/542
5,337,909 A	8/1994	Vaillencourt et al.	
5,337,924 A *	8/1994	Dickie	215/383 X
5,350,078 A	9/1994	Potts et al.	
5,392,937 A	2/1995	Prevot et al.	
5,472,105 A	12/1995	Krishnakumar et al.	
D378,353 S *	3/1997	Emre et al.	D9/542

FOREIGN PATENT DOCUMENTS

WO	WO-97/34808	9/1997
WO	WO-00/50309	8/2000

Primary Examiner—Carol Rademaker

(74) *Attorney, Agent, or Firm*—Venable LLP; James R. Burdett; Keith G. Haddaway

(57) **CLAIM**

The ornamental design for a container, as shown and described.

DESCRIPTION

FIG. 1 is a front elevational view of a first embodiment of a container according to the present invention, the back elevational view being identical;

FIG. 2 is a right side elevational view thereof, the left side elevational view being identical;

FIG. 3 is a perspective view thereof;

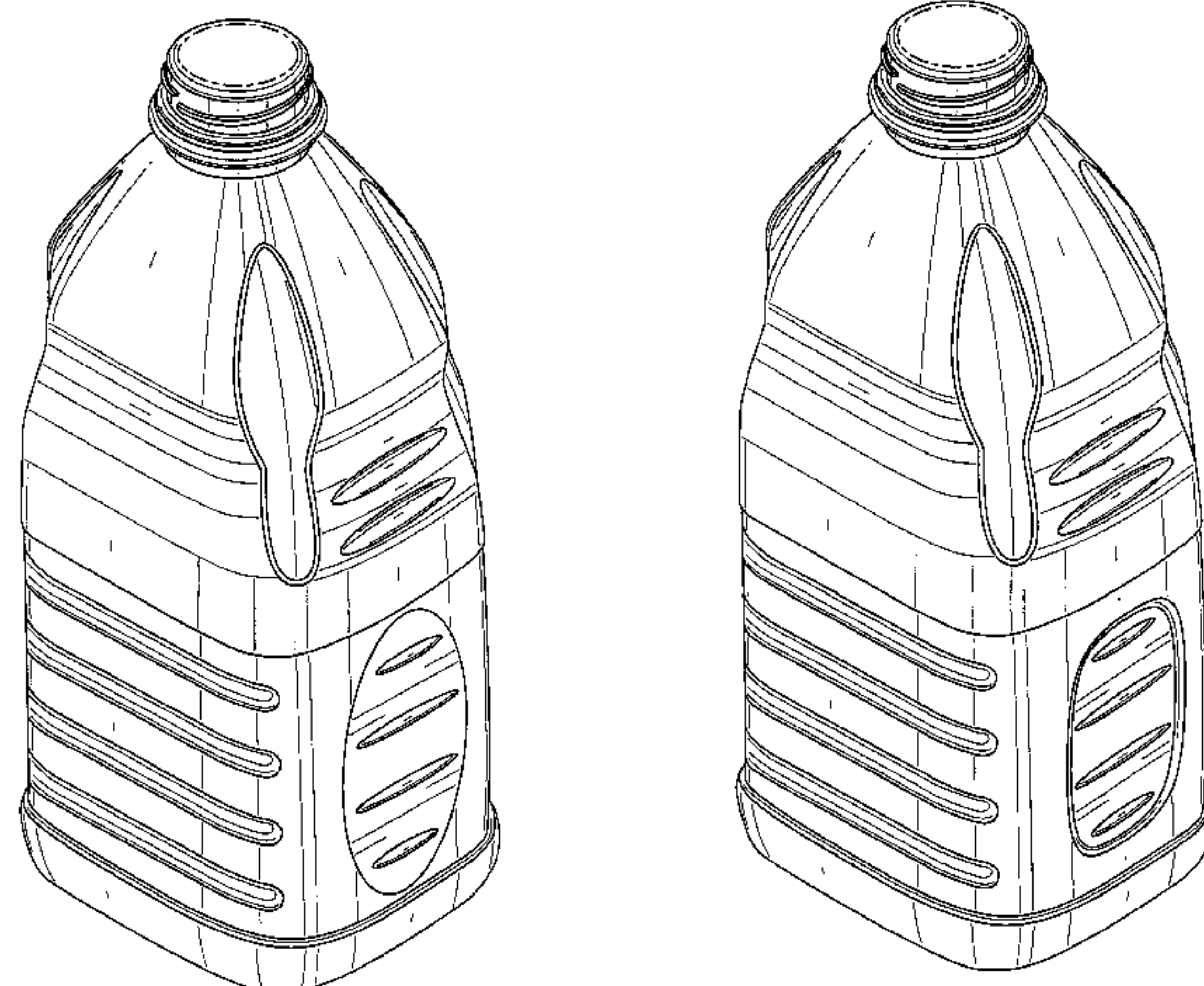
FIG. 4 is a top plan view thereof;

FIG. 5 is a right side elevational view of a second embodiment of a container according to the present invention, the left side elevational view being identical; and,

FIG. 6 is a perspective view thereof.

The front elevational view, back elevational view, and top plan view of Embodiment 2 are identical to the front elevational view, rear elevational view, and top plan view of Embodiment 1 as shown in drawing FIGS. 1 & 4.

1 Claim, 6 Drawing Sheets



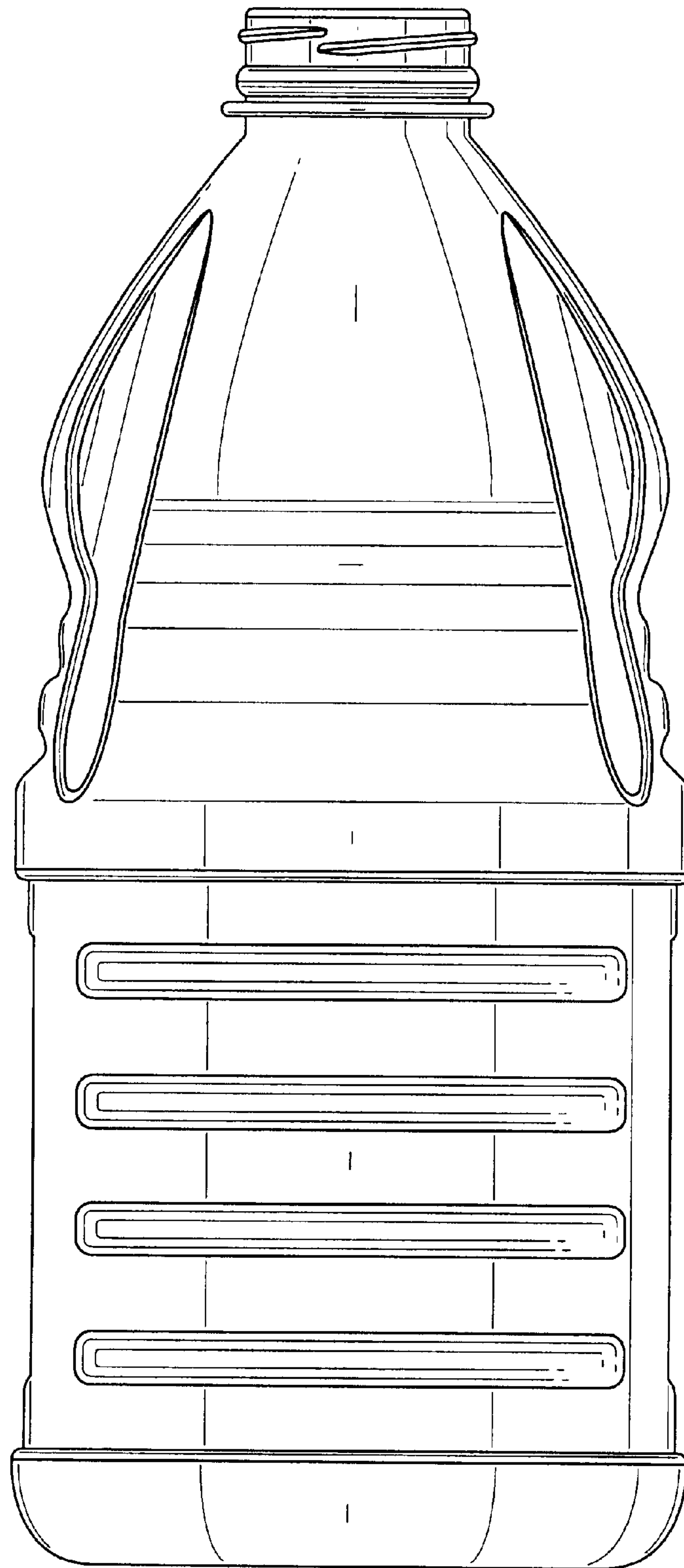


FIG. 1

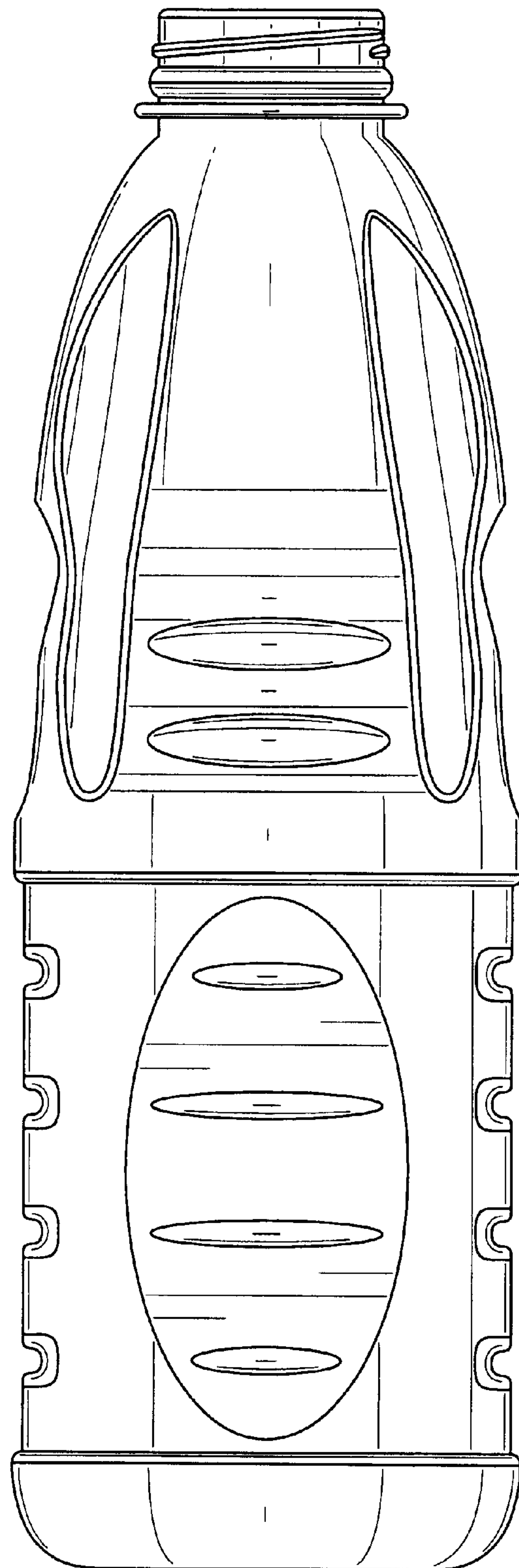


FIG. 2

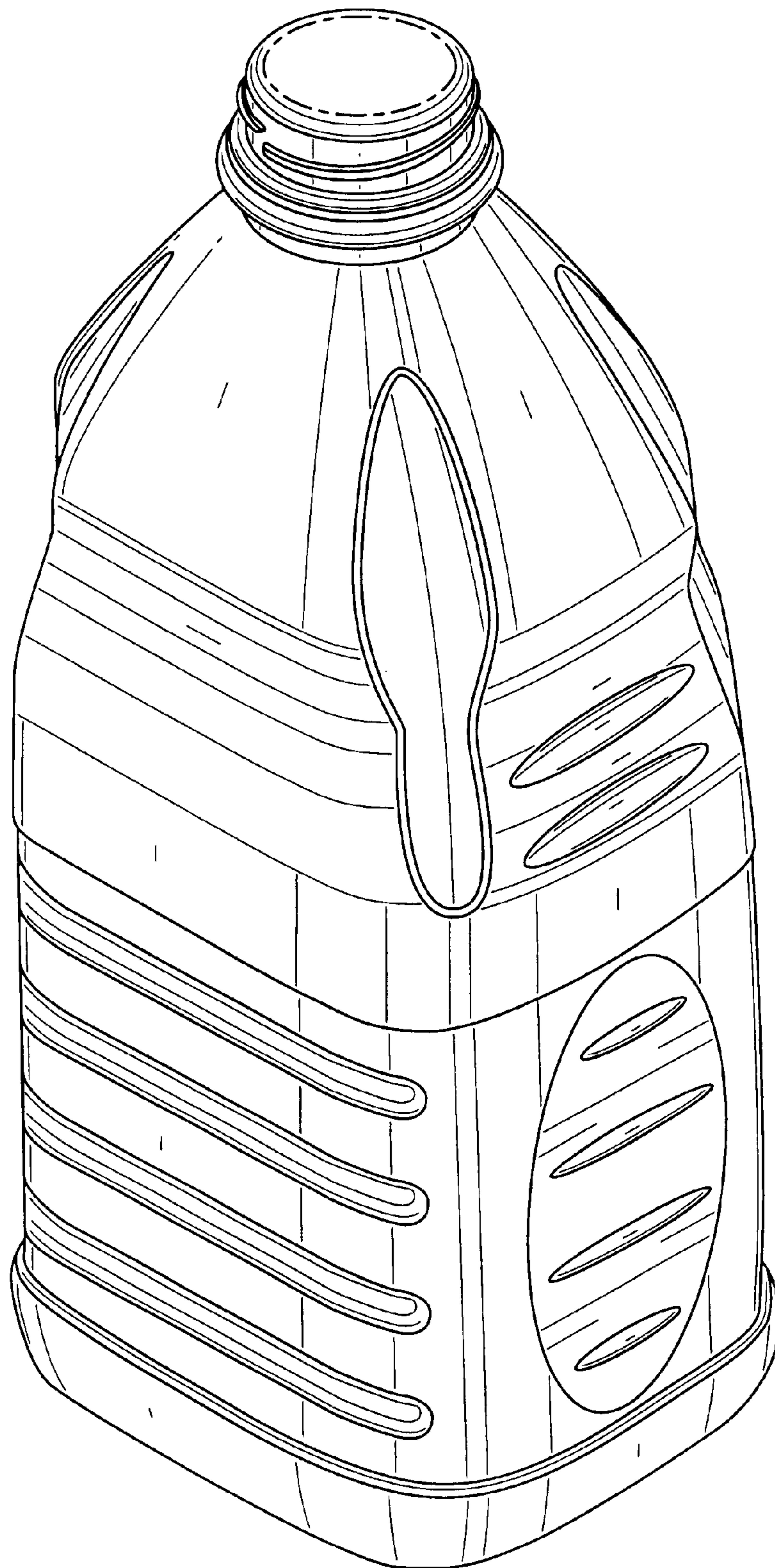


FIG. 3

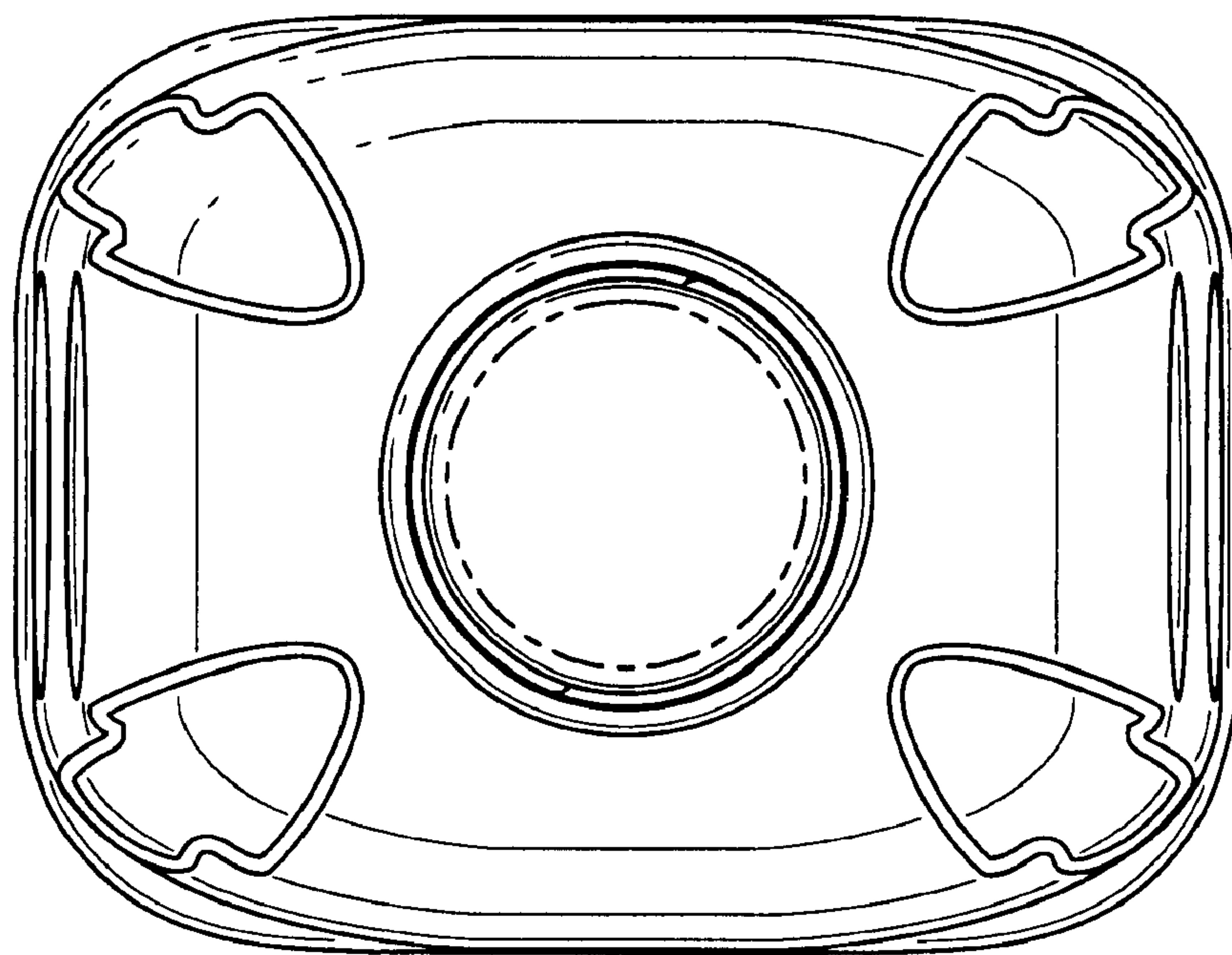


FIG. 4

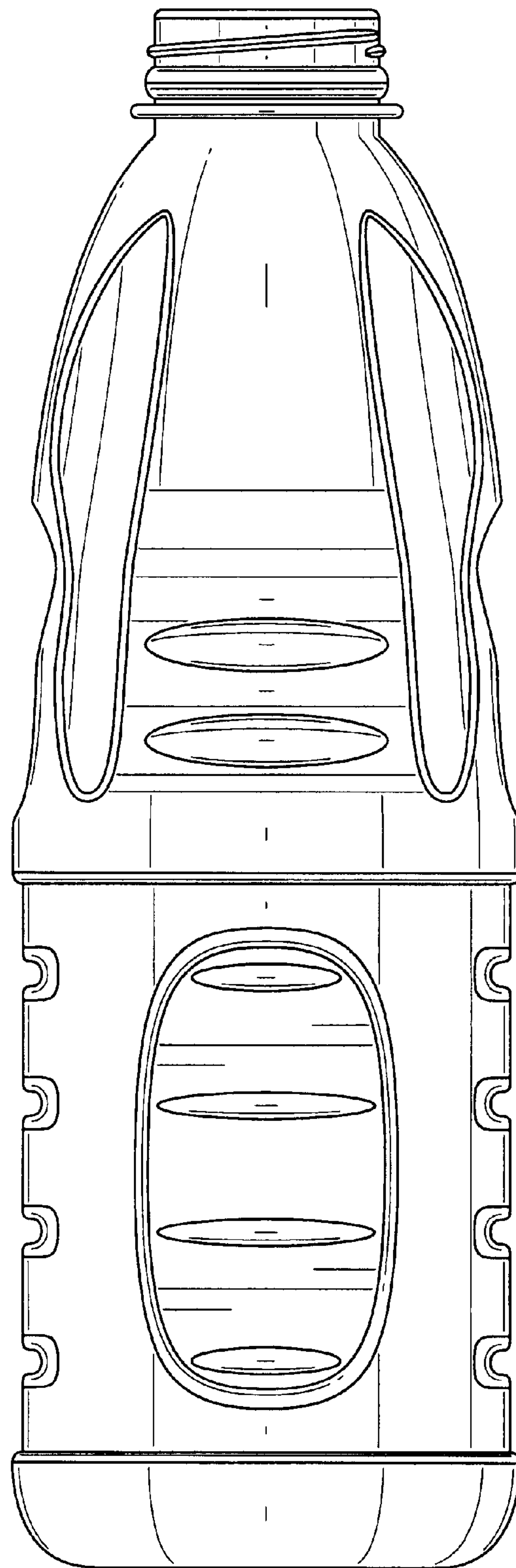


FIG. 5

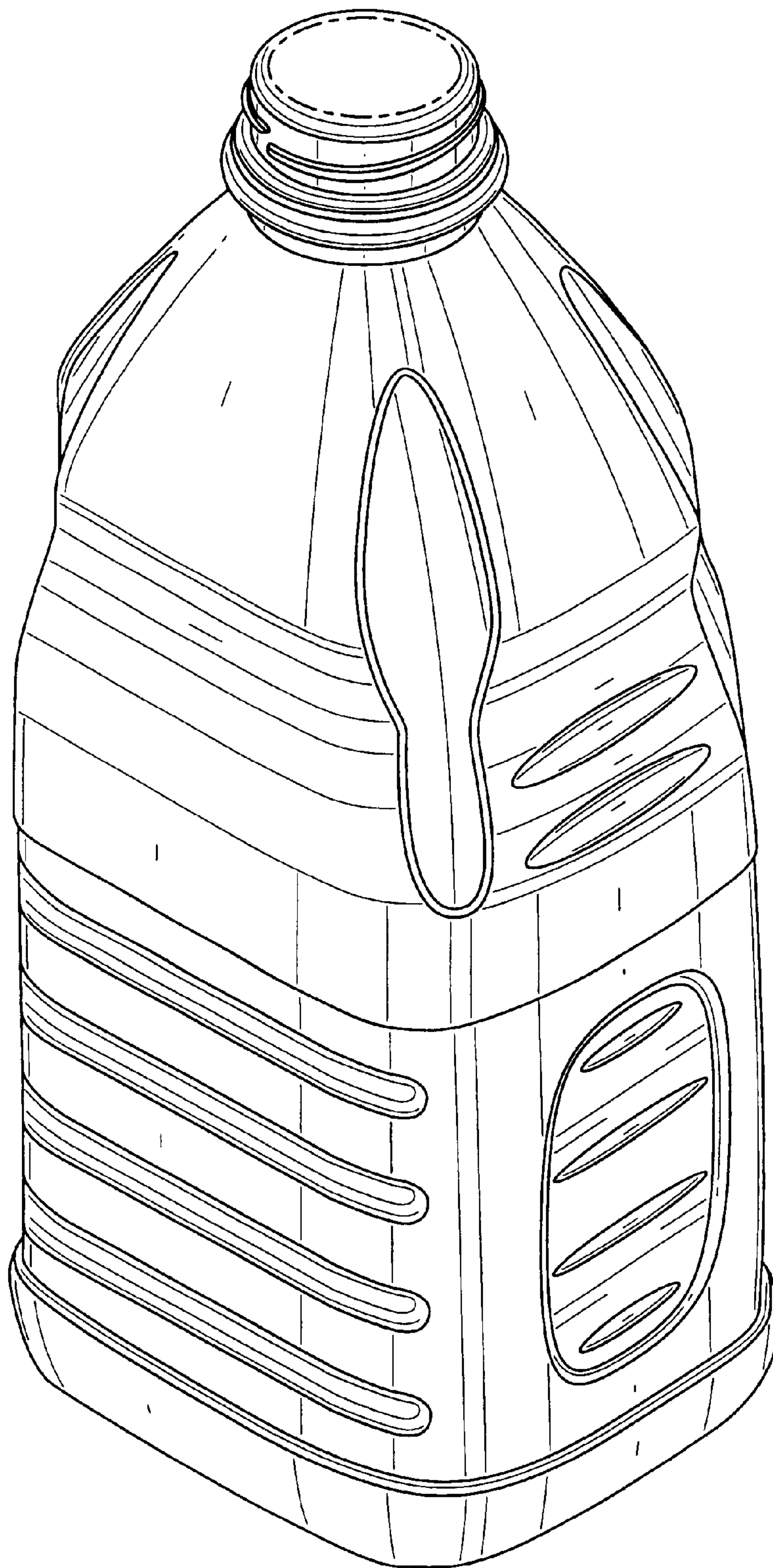


FIG. 6

UNITED STATES PATENT AND TRADEMARK OFFICE
CERTIFICATE OF CORRECTION

PATENT NO. : Des. 536,258 S
APPLICATION NO. : 29/258967
DATED : February 6, 2007
INVENTOR(S) : Ogg et al.

Page 1 of 1

It is certified that error appears in the above-identified patent and that said Letters Patent is hereby corrected as shown below:

On Title Page item 63 insert

--Related U.S. Application Data

Continuation of application No. 11/298,473, filed on December 12, 2005, which is a continuation-in-part of Application No. 10/727,042, filed on December 4, 2003, now Pat No. 6,974,047, which is a non-provisional of provisional Application No. 60/430,944, filed December 5, 2002.--

Signed and Sealed this

Twenty-ninth Day of May, 2007

A handwritten signature in black ink on a light gray dotted background. The signature reads "Jon W. Dudas" in a cursive style.

JON W. DUDAS

Director of the United States Patent and Trademark Office