



US00D536254S

(12) **United States Design Patent**  
**Ashiwa**

(10) **Patent No.:** **US D536,254 S**

(45) **Date of Patent:** **\*\* Feb. 6, 2007**

(54) **COSMETIC CONTAINER**

(75) Inventor: **Akiko Ashiwa**, Kobe (JP)

(73) Assignee: **The Procter & Gamble Company**,  
Cincinnati, OH (US)

(\*\*) Term: **14 Years**

(21) Appl. No.: **29/238,399**

(22) Filed: **Sep. 15, 2005**

(51) **LOC (8) Cl.** ..... **09-01**

(52) **U.S. Cl.** ..... **D9/529; D7/629**

(58) **Field of Classification Search** ..... D9/516,  
D9/529, 532, 549, 504, 575, 518, 530, 445,  
D9/501, 517; D28/82, 76, 91; D7/602, 629  
See application file for complete search history.

(56) **References Cited**

**U.S. PATENT DOCUMENTS**

2,789,344	A	*	4/1957	Kaul	.....	72/256
D320,558	S	*	10/1991	Timm	.....	D9/435
D346,328	S	*	4/1994	Labrie	.....	D9/778
D346,821	S	*	5/1994	Smith	.....	D18/56
D363,642	S	*	10/1995	Goto et al.	.....	D7/511
D367,423	S	*	2/1996	Stanley	.....	D9/424
D373,443	S	*	9/1996	Gottvald et al.	.....	D27/189
D373,847	S	*	9/1996	Gottvald et al.	.....	D27/189
D388,707	S	*	1/1998	de LaForcade	.....	D9/448
D416,795	S	*	11/1999	Rabouin	.....	D9/428
D424,341	S	*	5/2000	Anderberg	.....	D6/518
D425,347	S	*	5/2000	Anderberg	.....	D6/518
D463,282	S	*	9/2002	Mitchell	.....	D9/500
D472,019	S	*	3/2003	Murata	.....	D28/91
D477,536	S	*	7/2003	Kudo et al.	.....	D9/522
D482,975	S	*	12/2003	Nottingham et al.	.....	D9/532
D483,262	S	*	12/2003	Carter et al.	.....	D9/448

D491,024	S	*	6/2004	Welsh	.....	D7/629
D511,975	S	*	11/2005	Py	.....	D9/682
D524,161	S	*	7/2006	Sauer et al.	.....	D9/529

\* cited by examiner

*Primary Examiner*—Stella Reid

*Assistant Examiner*—Elizabeth J. Oswecki

(74) *Attorney, Agent, or Firm*—Julie A. Jones; John M. Howell; Eric T. Addington

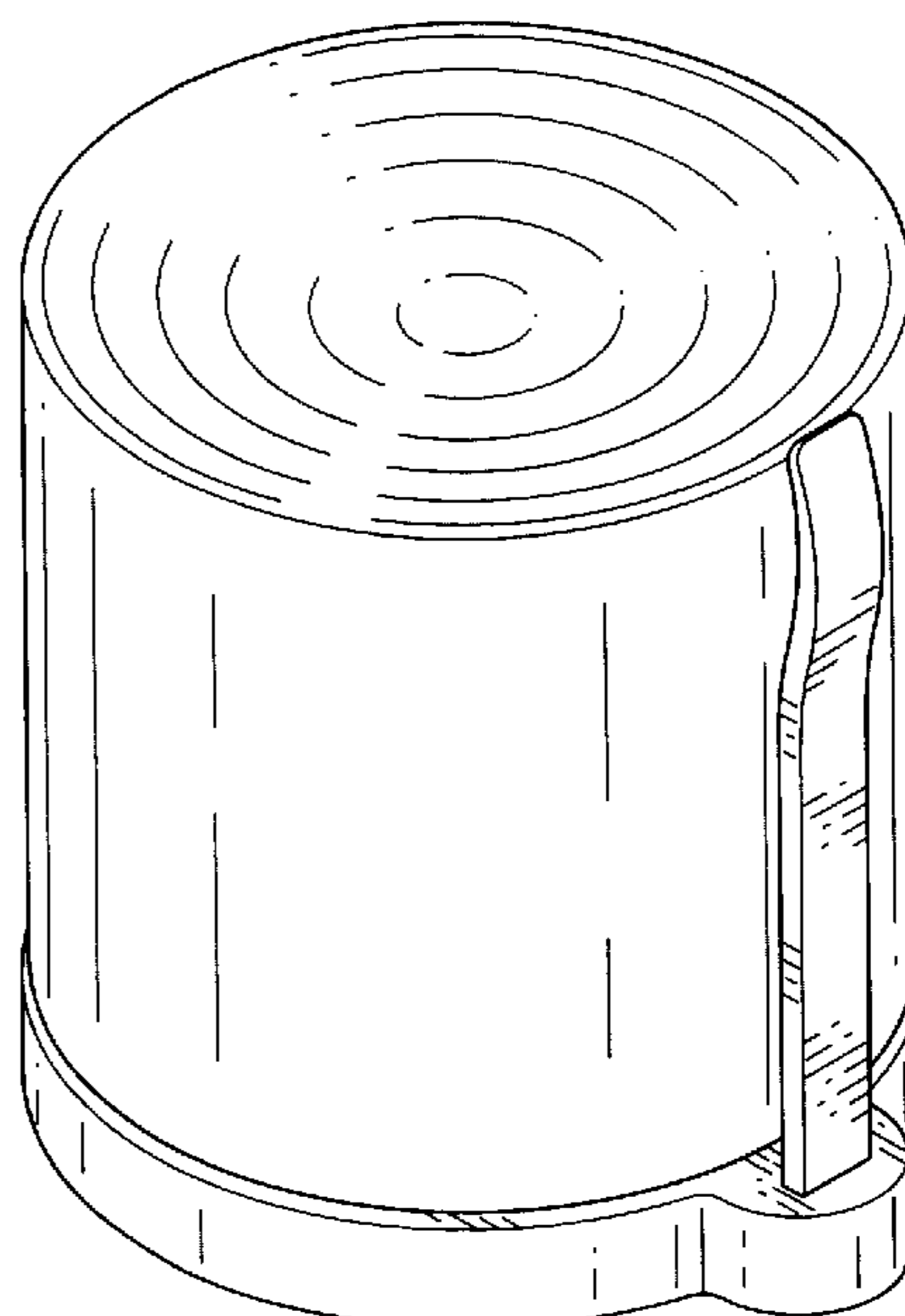
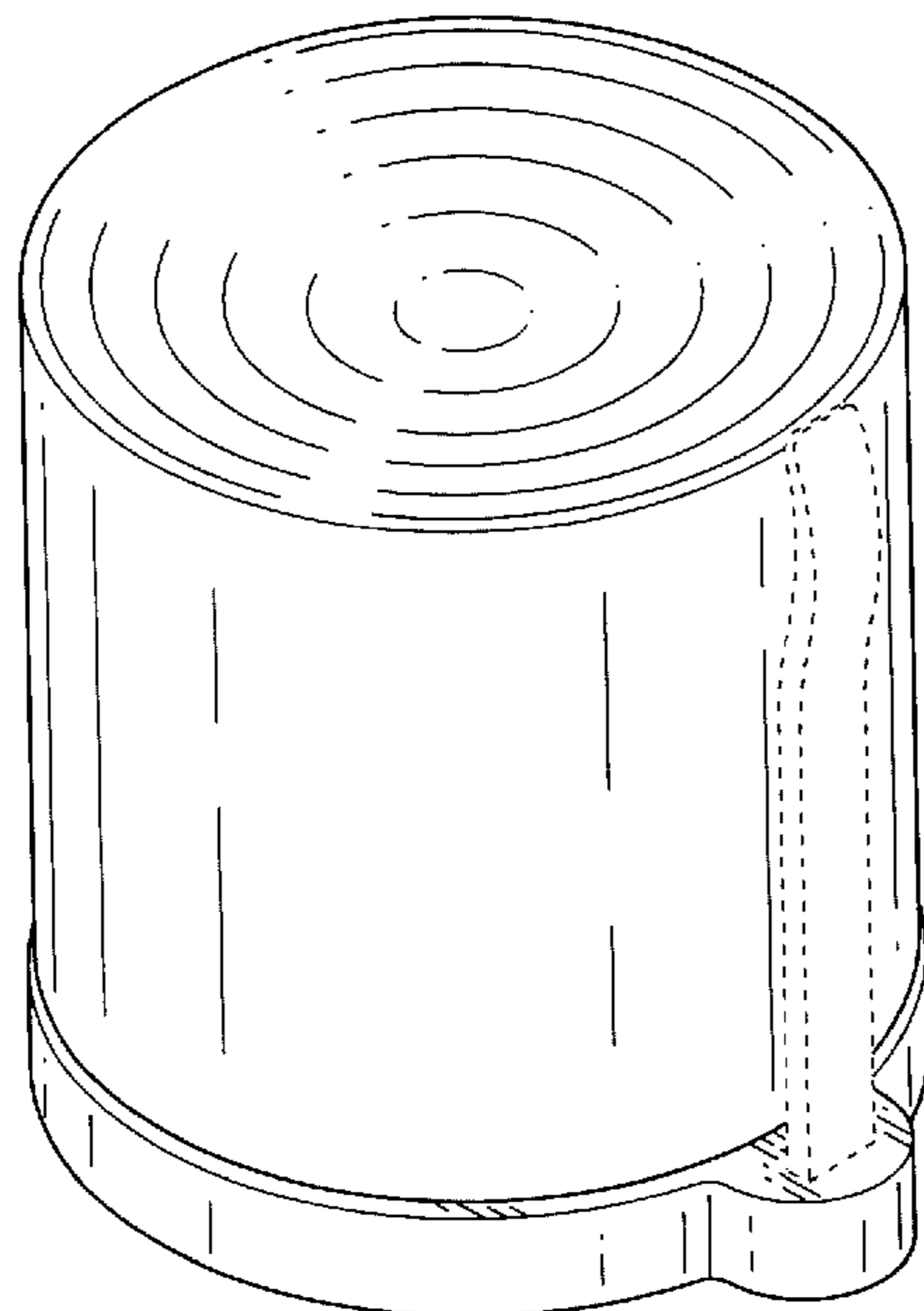
(57) **CLAIM**

The ornamental design for a cosmetic container, as shown and described.

**DESCRIPTION**

FIG. 1 is a perspective view of a cosmetic container, embodying our new design;  
 FIG. 2 is a front view thereof;  
 FIG. 3 is a back view thereof;  
 FIG. 4 is a top plan view thereof;  
 FIG. 5 is a bottom view thereof;  
 FIG. 6 is a right side view thereof;  
 FIG. 7 is a left side view thereof;  
 FIG. 8 is a cross sectional view thereof;  
 FIG. 9 is a reference view thereof in an open position;  
 FIG. 10 is a perspective view of a cosmetic container having a spatula placed on a base tray, embodying our new design;  
 FIG. 11 is a front view thereof;  
 FIG. 12 is a back view thereof;  
 FIG. 13 is a top plan view thereof;  
 FIG. 14 is a bottom view thereof;  
 FIG. 15 is a right side view thereof;  
 FIG. 16 is a left side view thereof;  
 FIG. 17 is a cross sectional view thereof; and,  
 FIG. 18 is a reference view thereof in an open position.

**1 Claim, 10 Drawing Sheets**



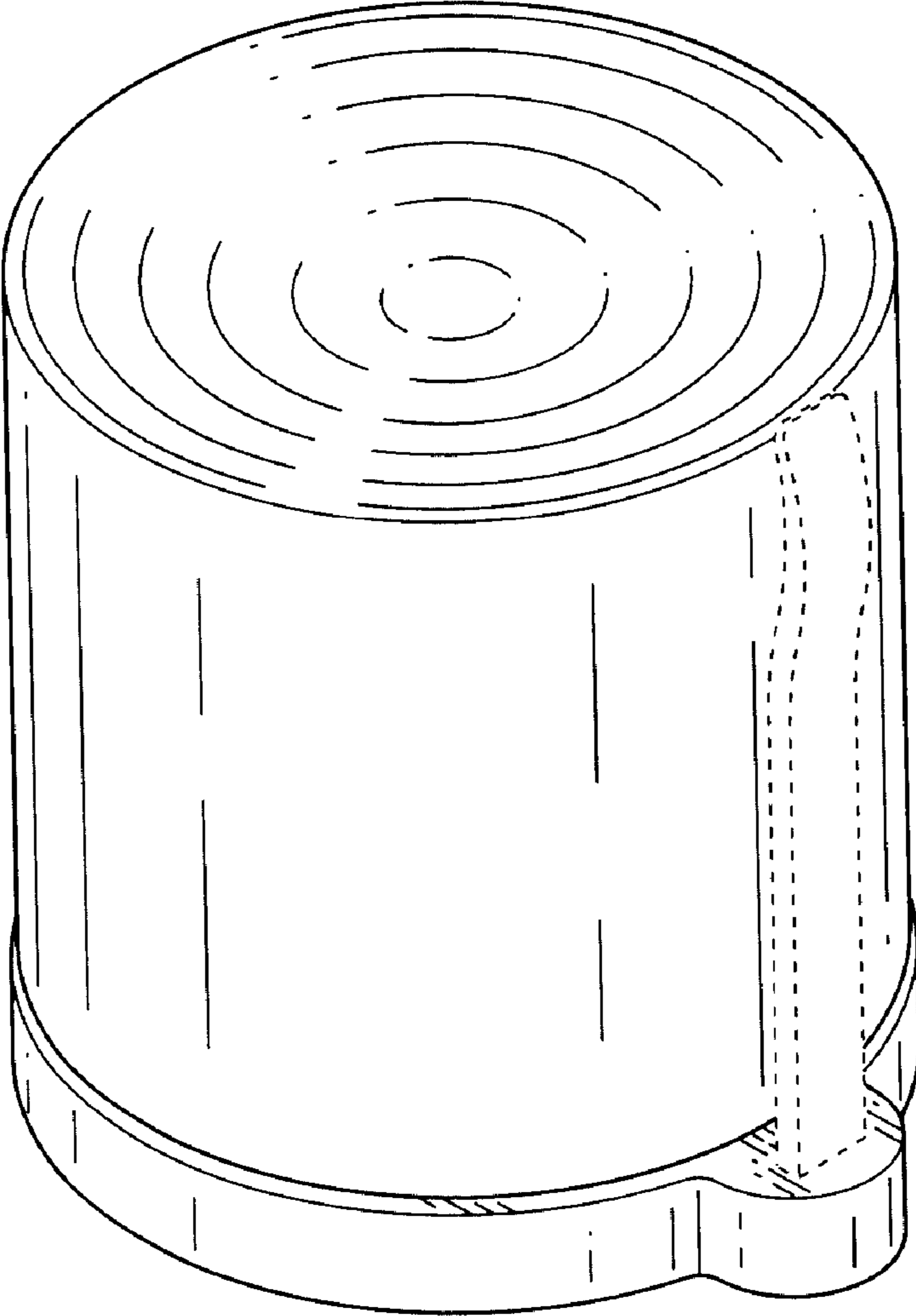


Fig. 1

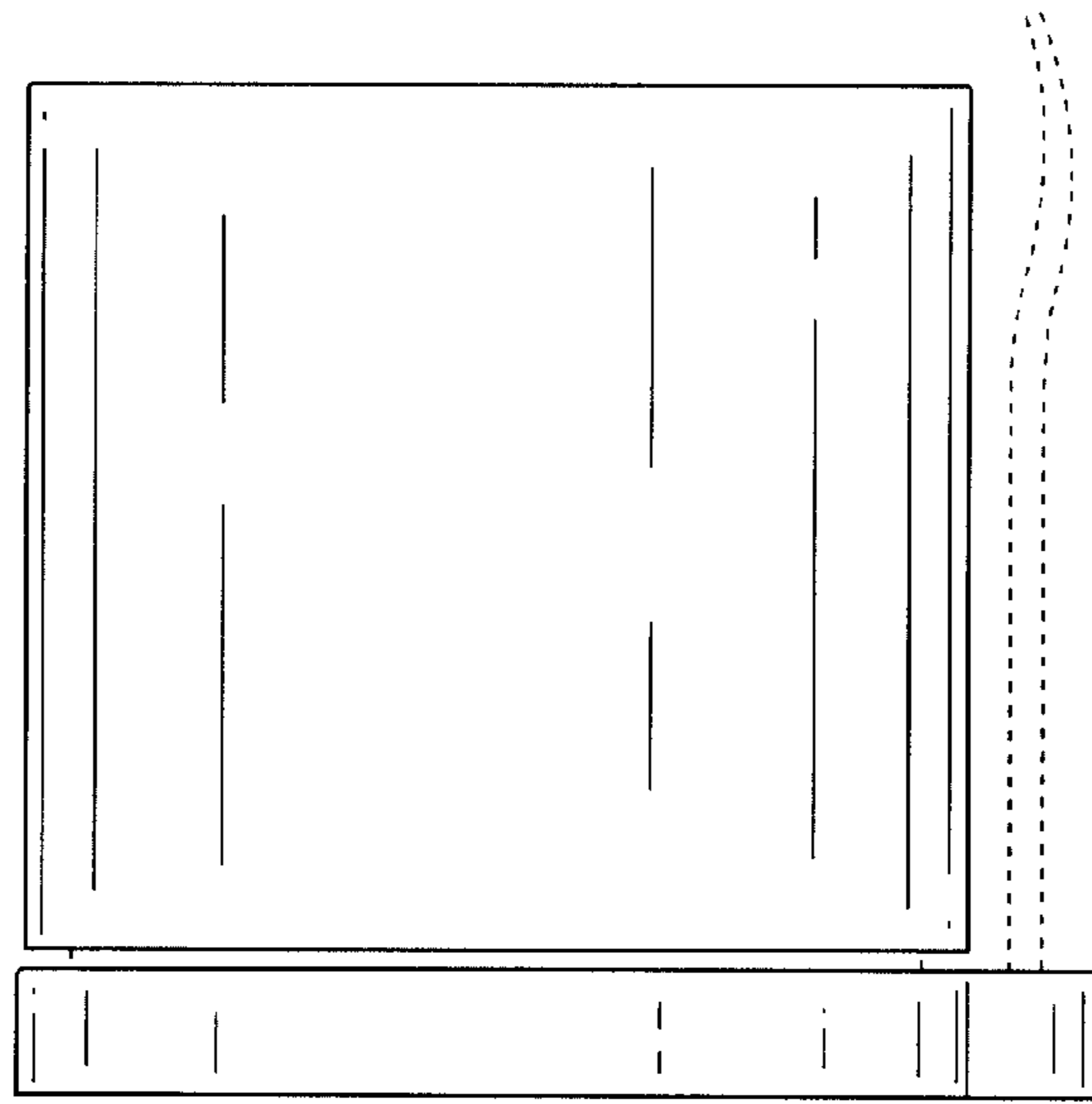


Fig. 2

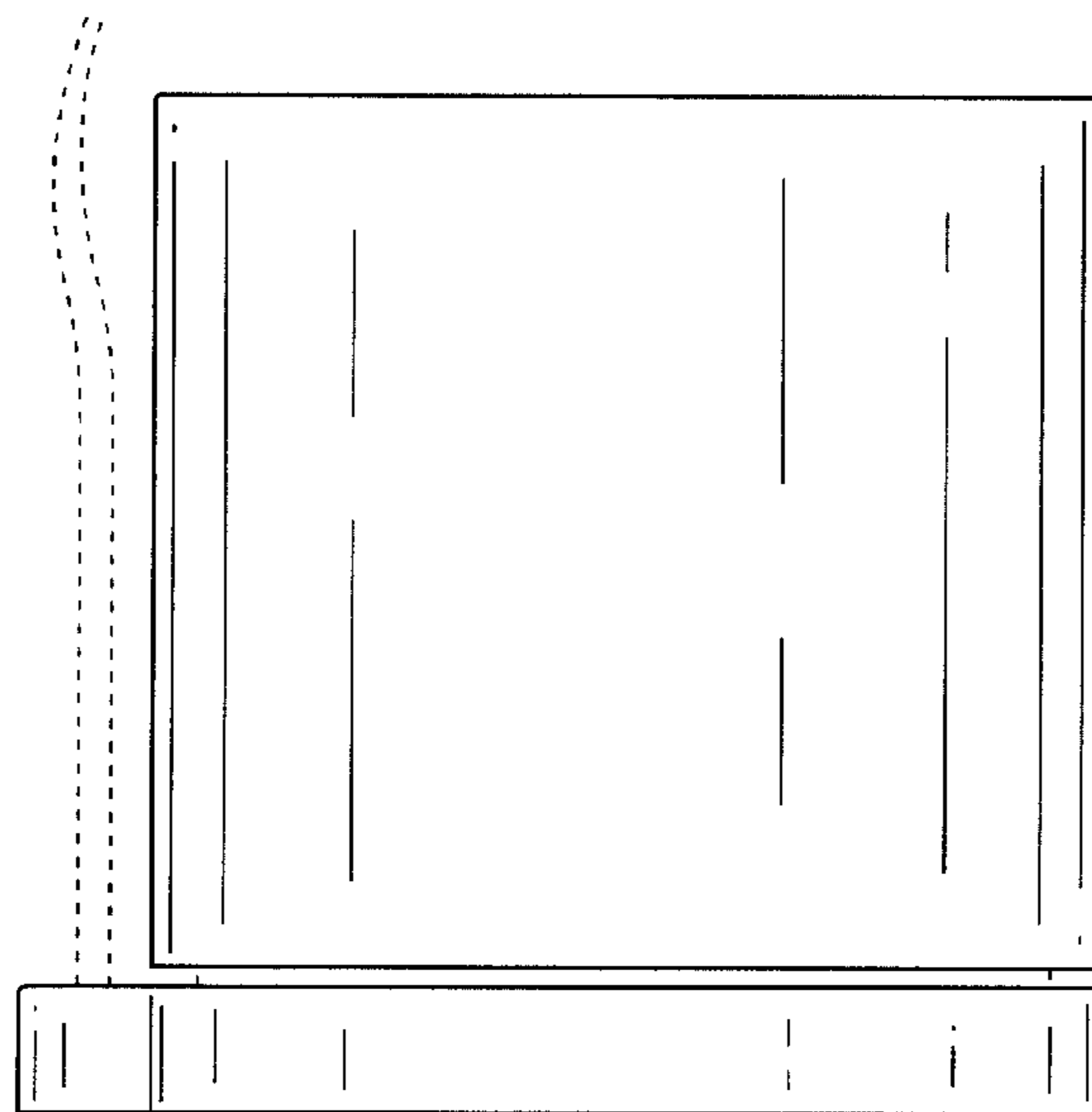


Fig. 3

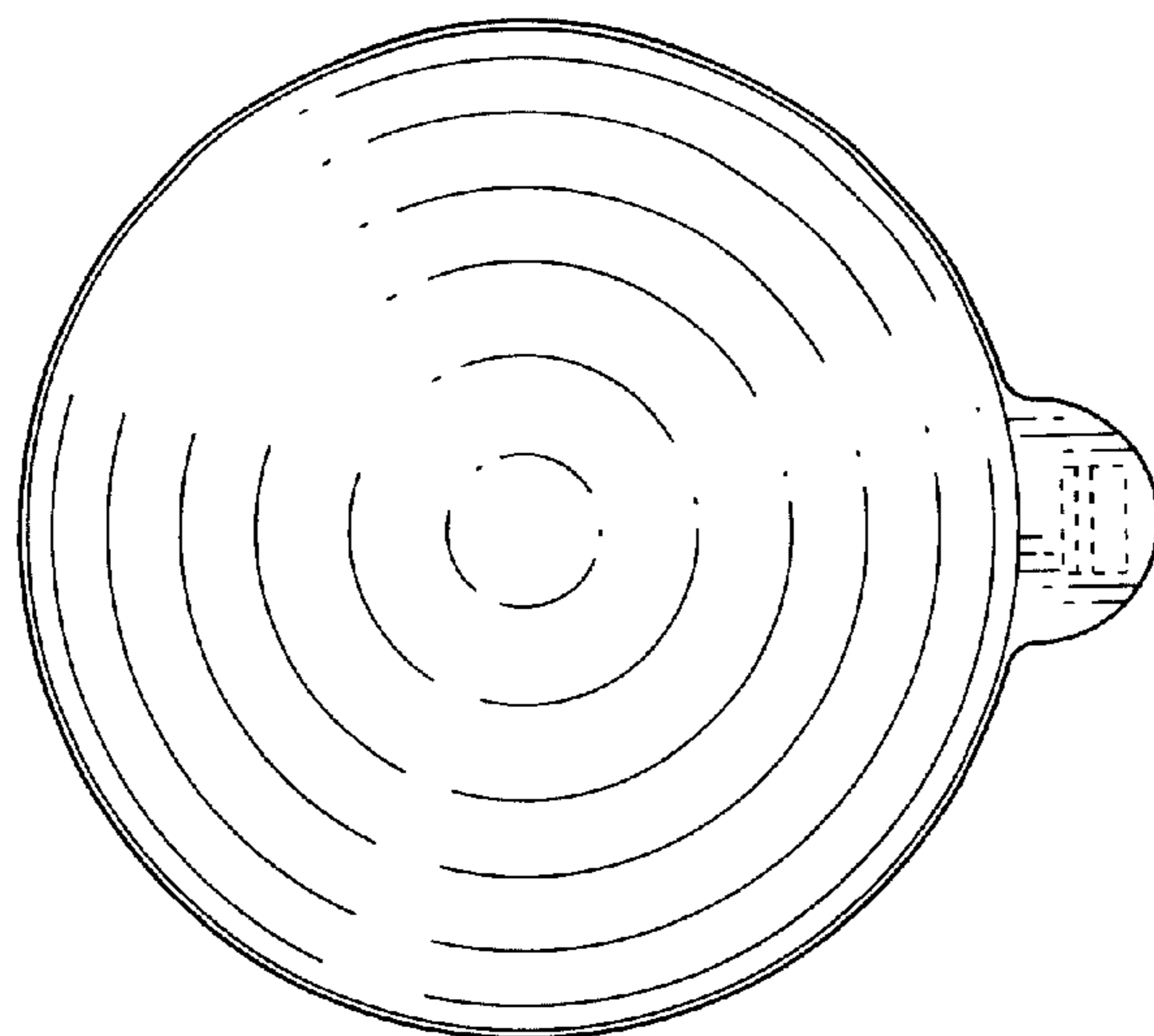


Fig. 4

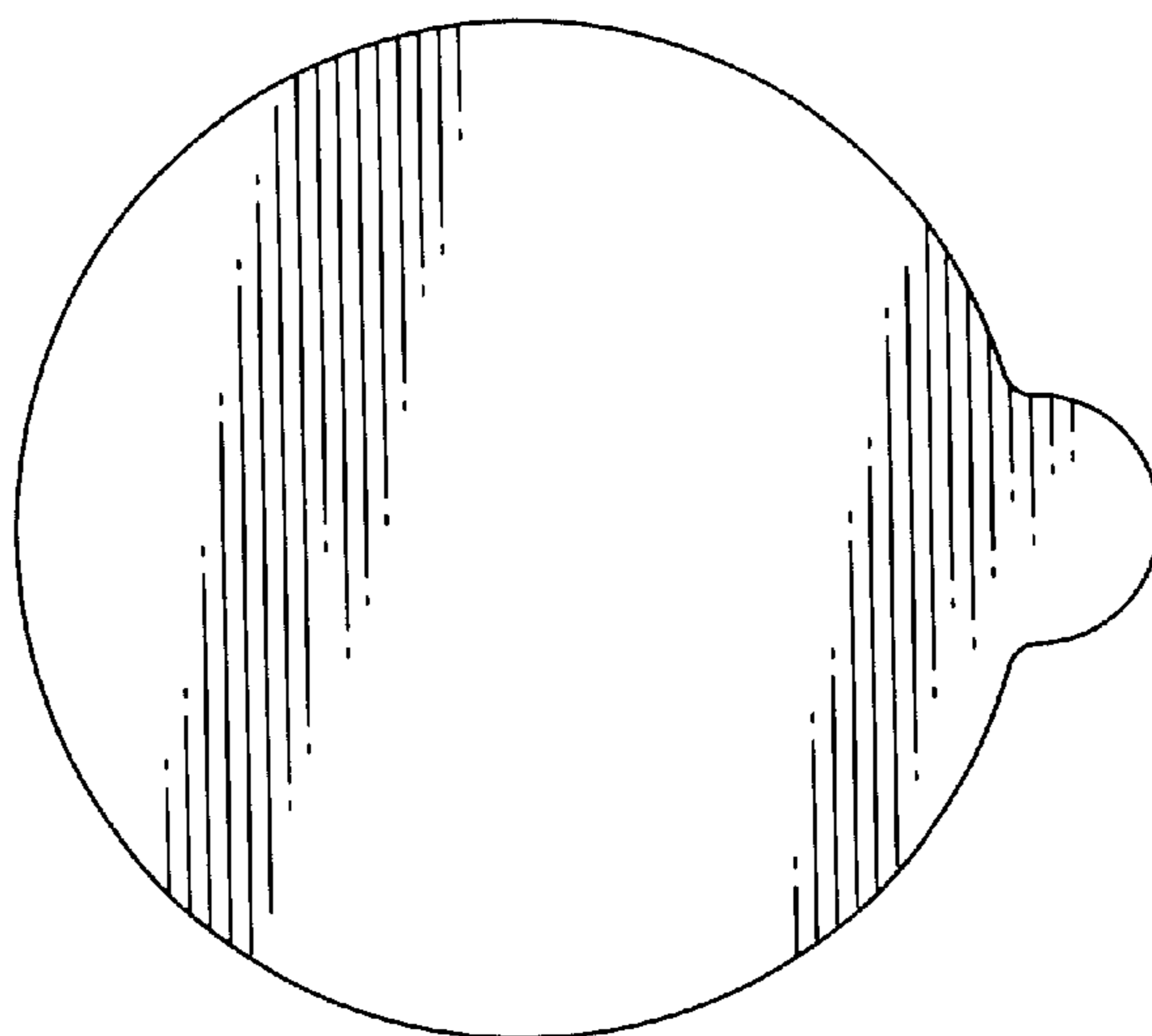


Fig. 5

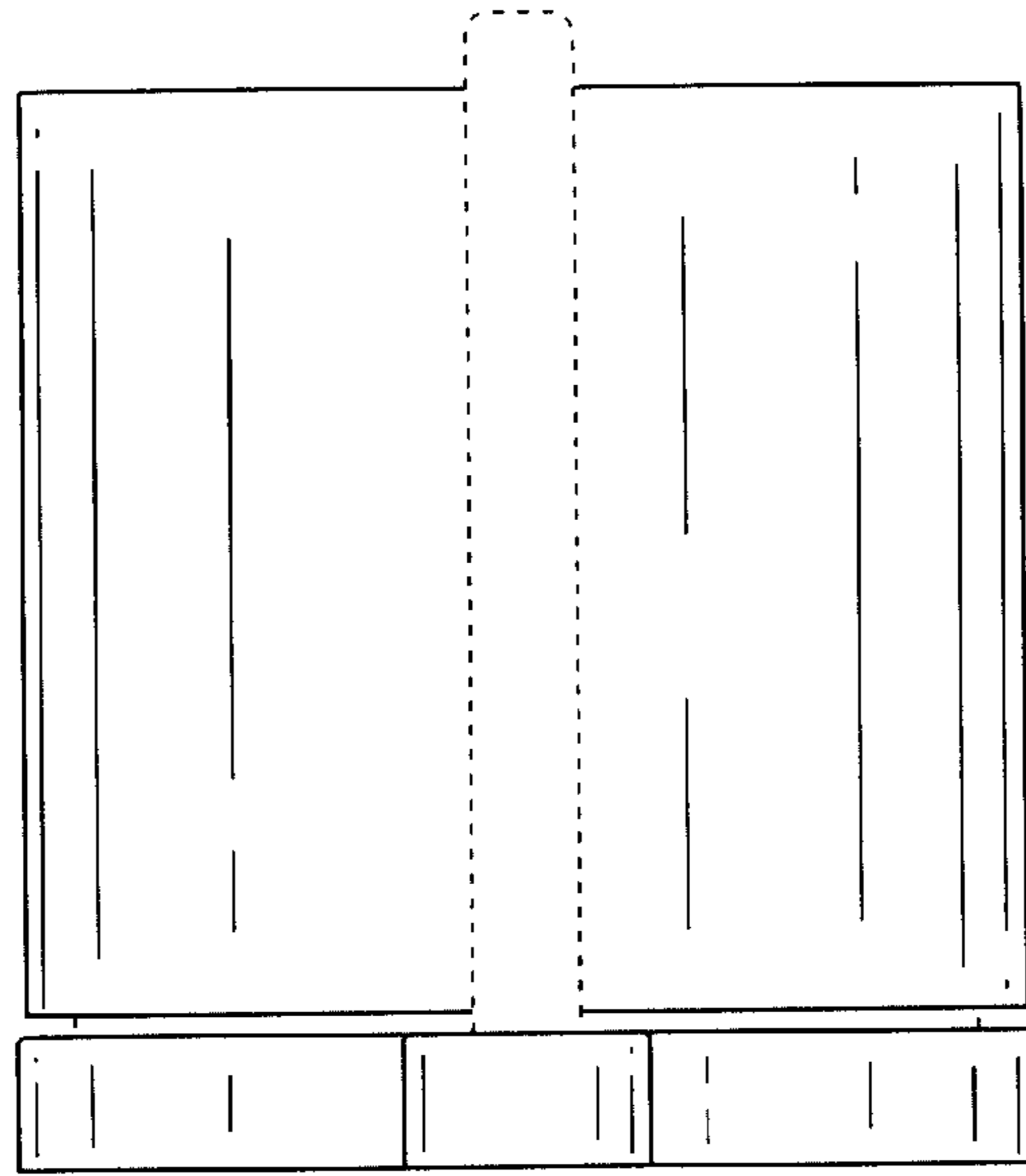


Fig. 6

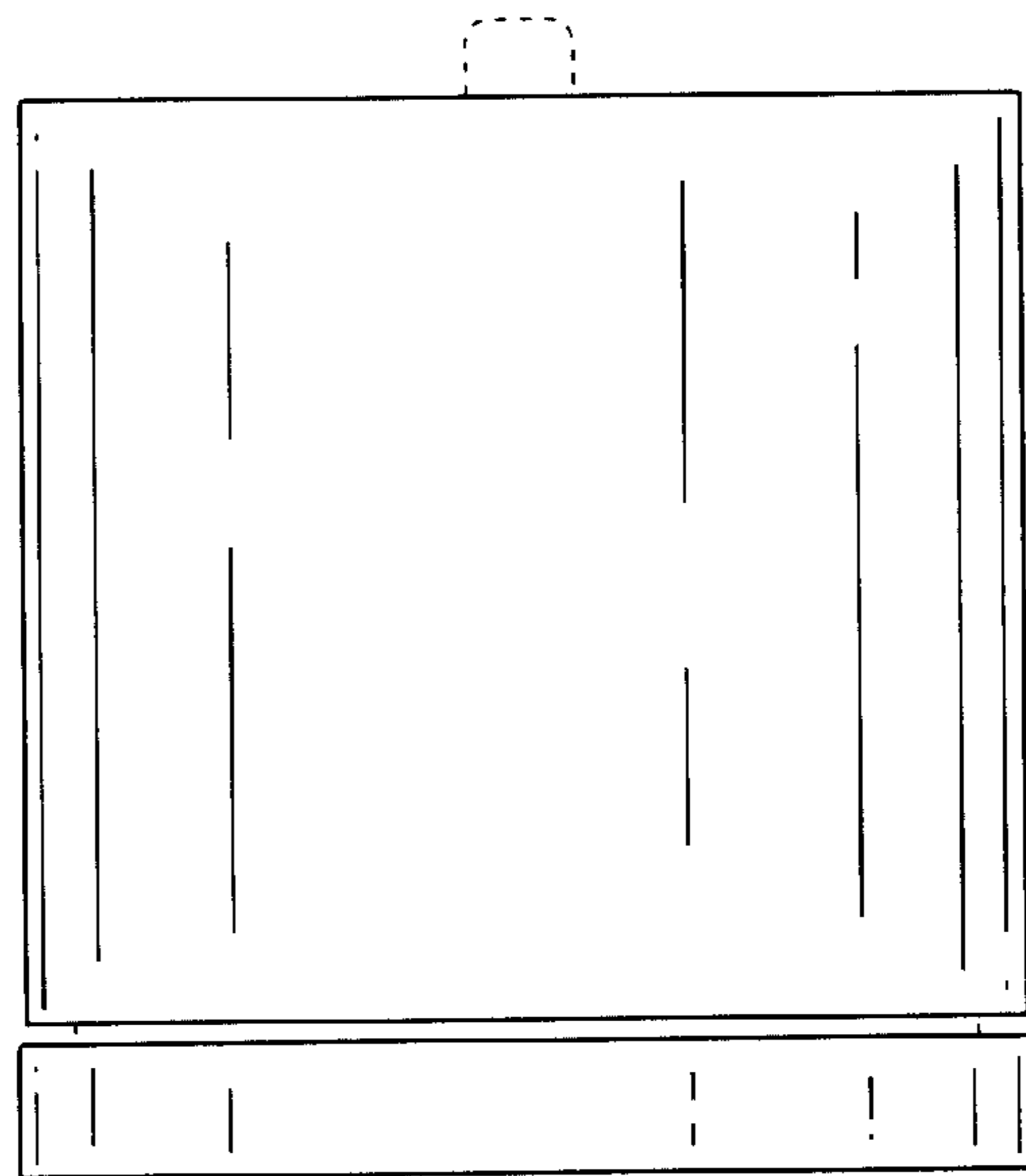


Fig. 7

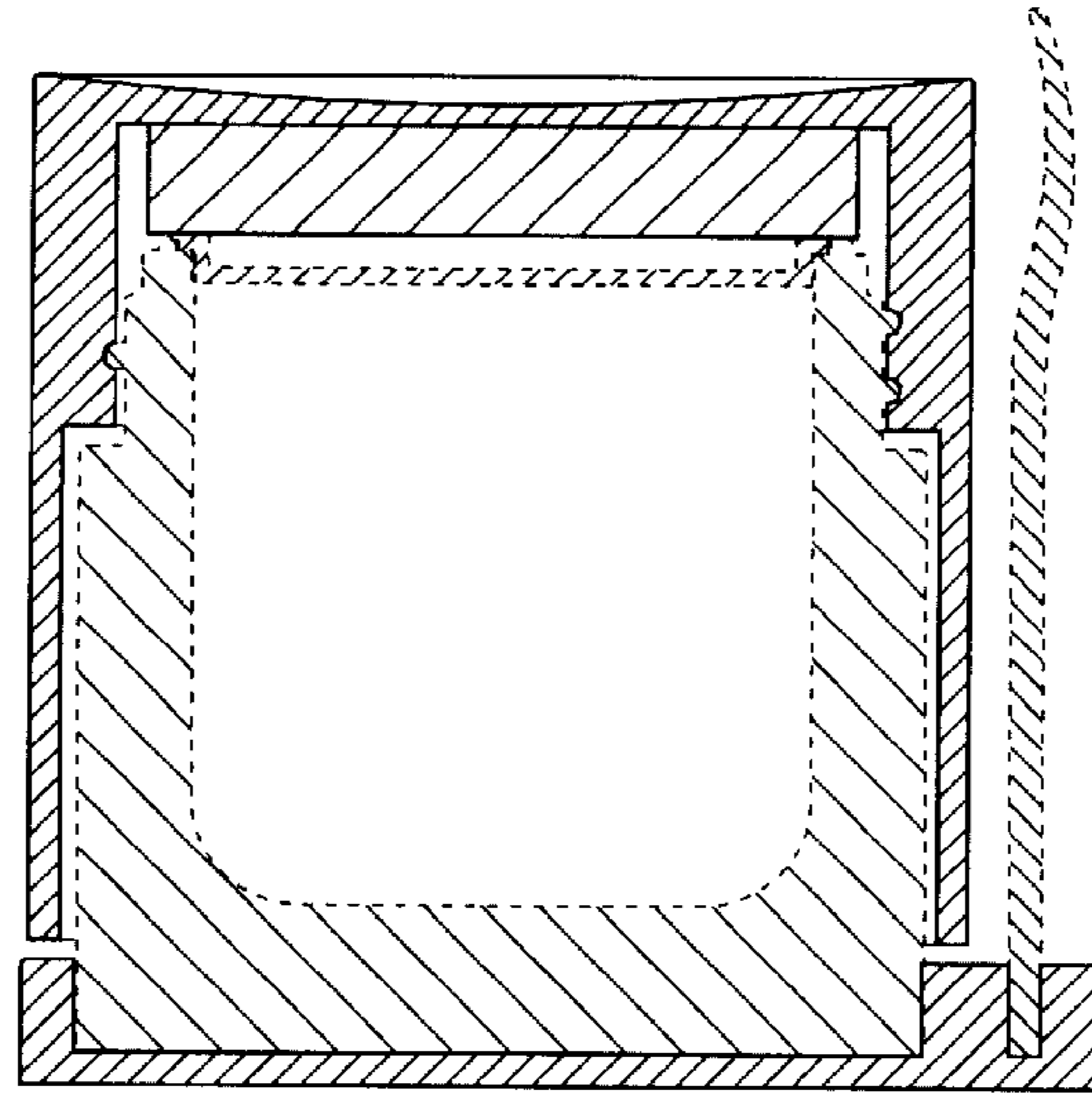


Fig. 8

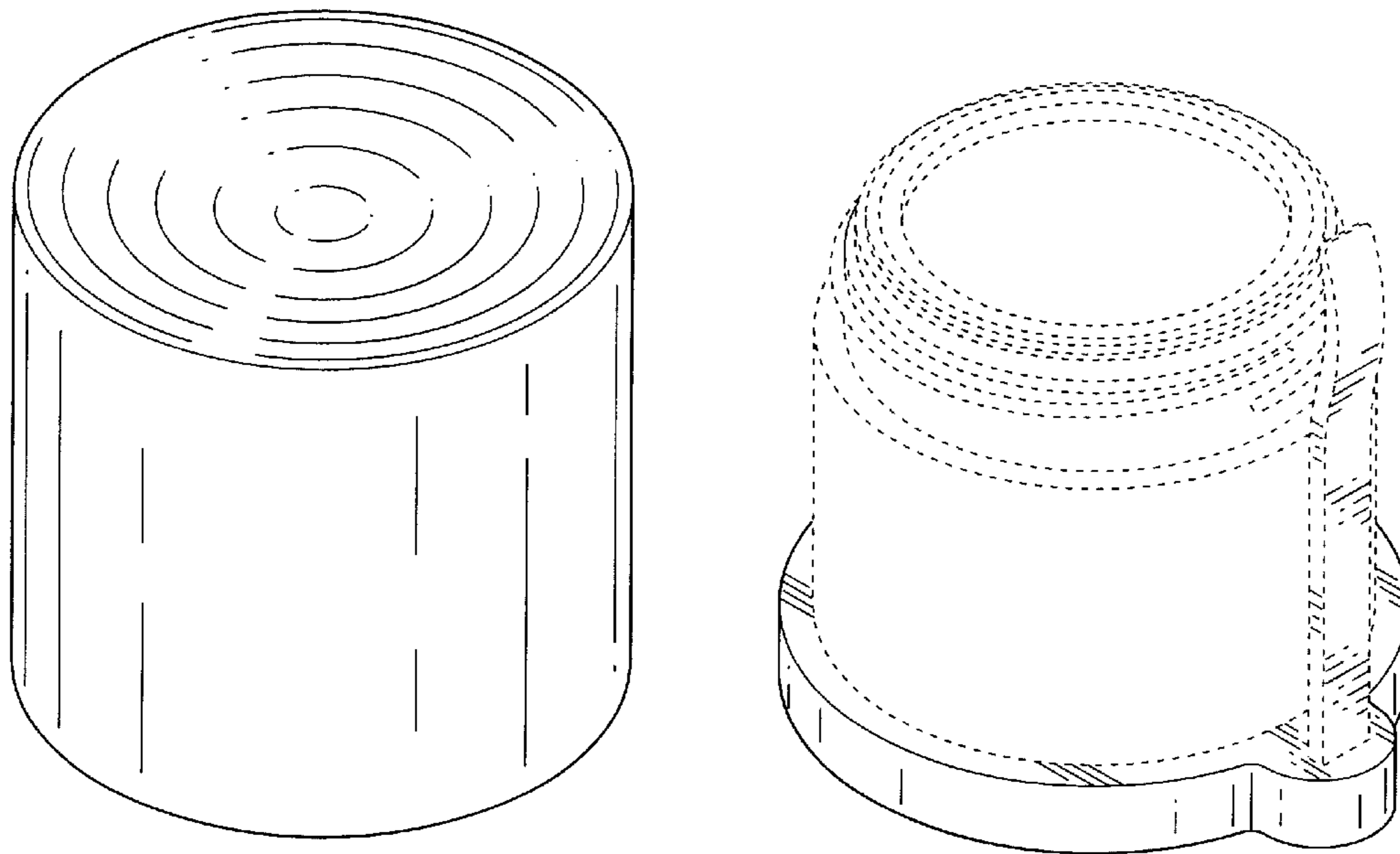


Fig. 9



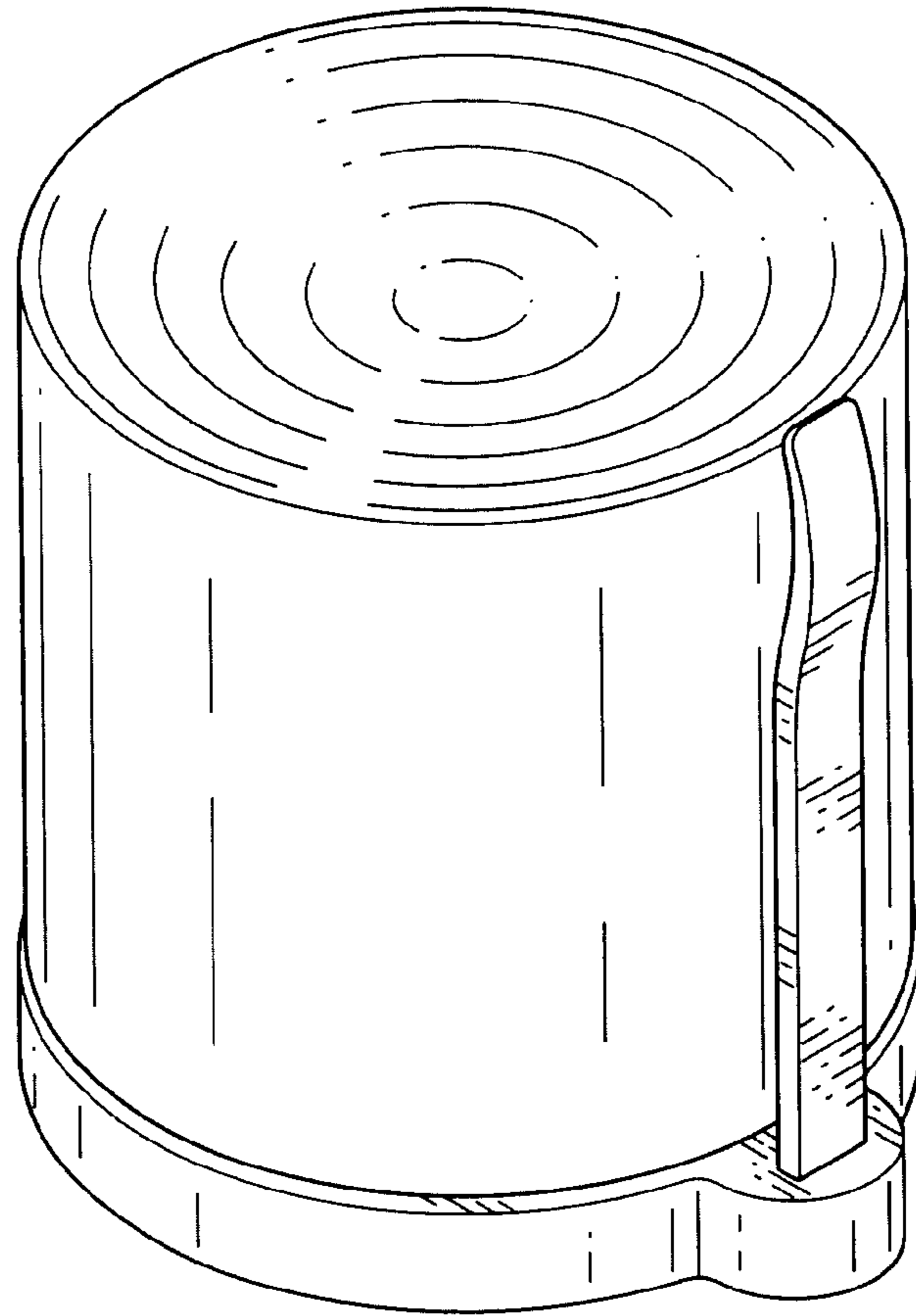


Fig. 10

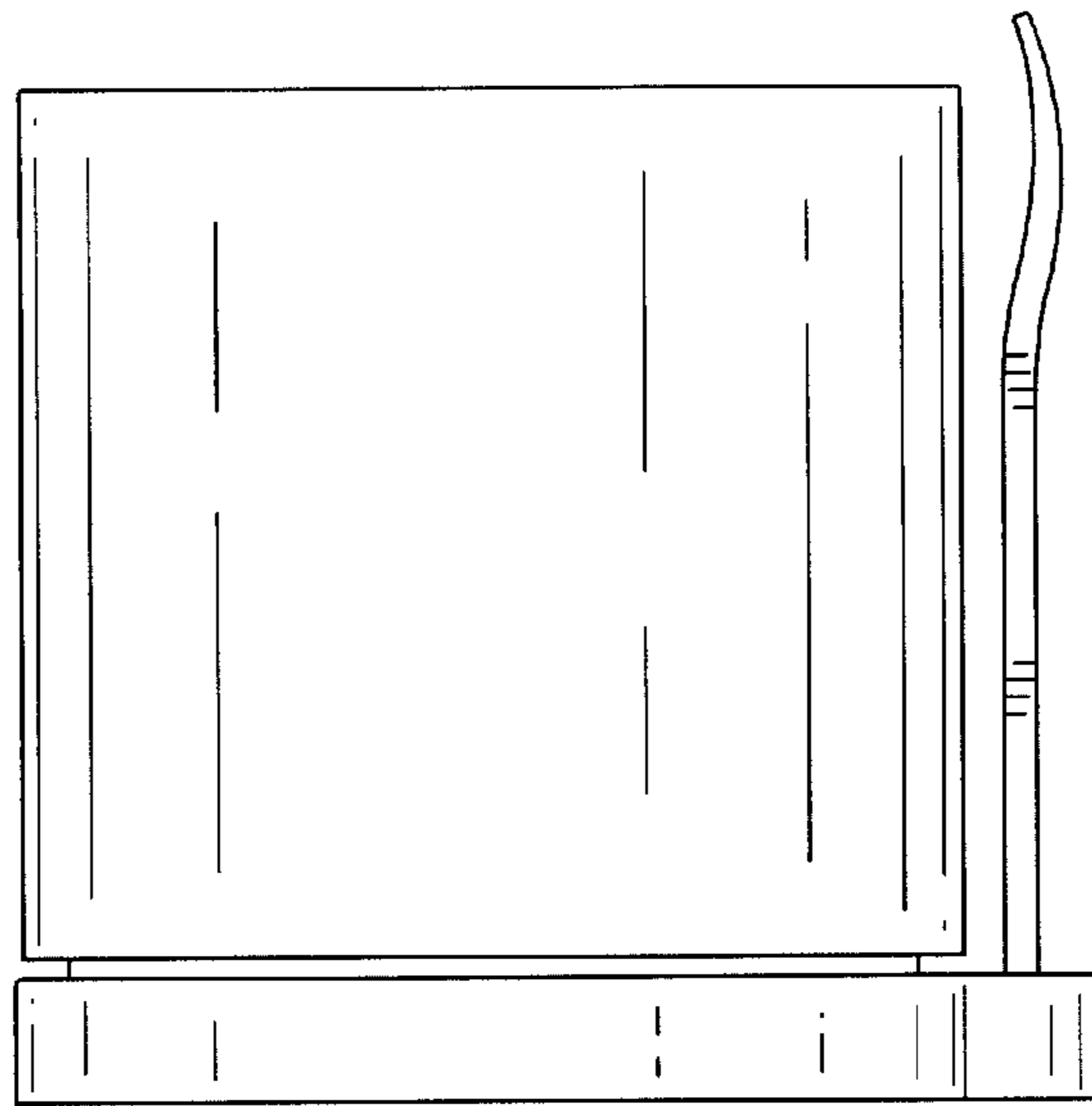


Fig. 11

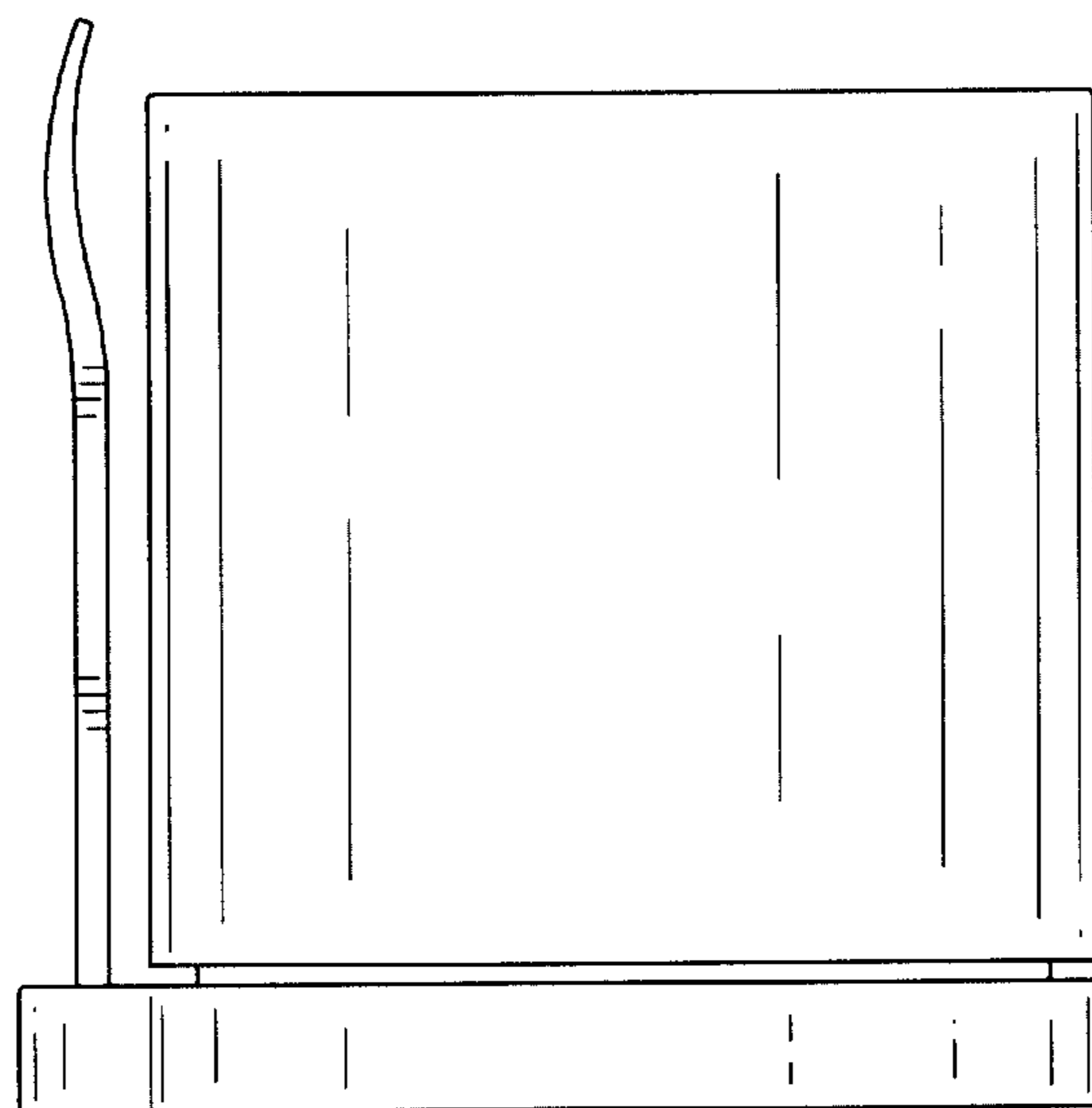


Fig. 12



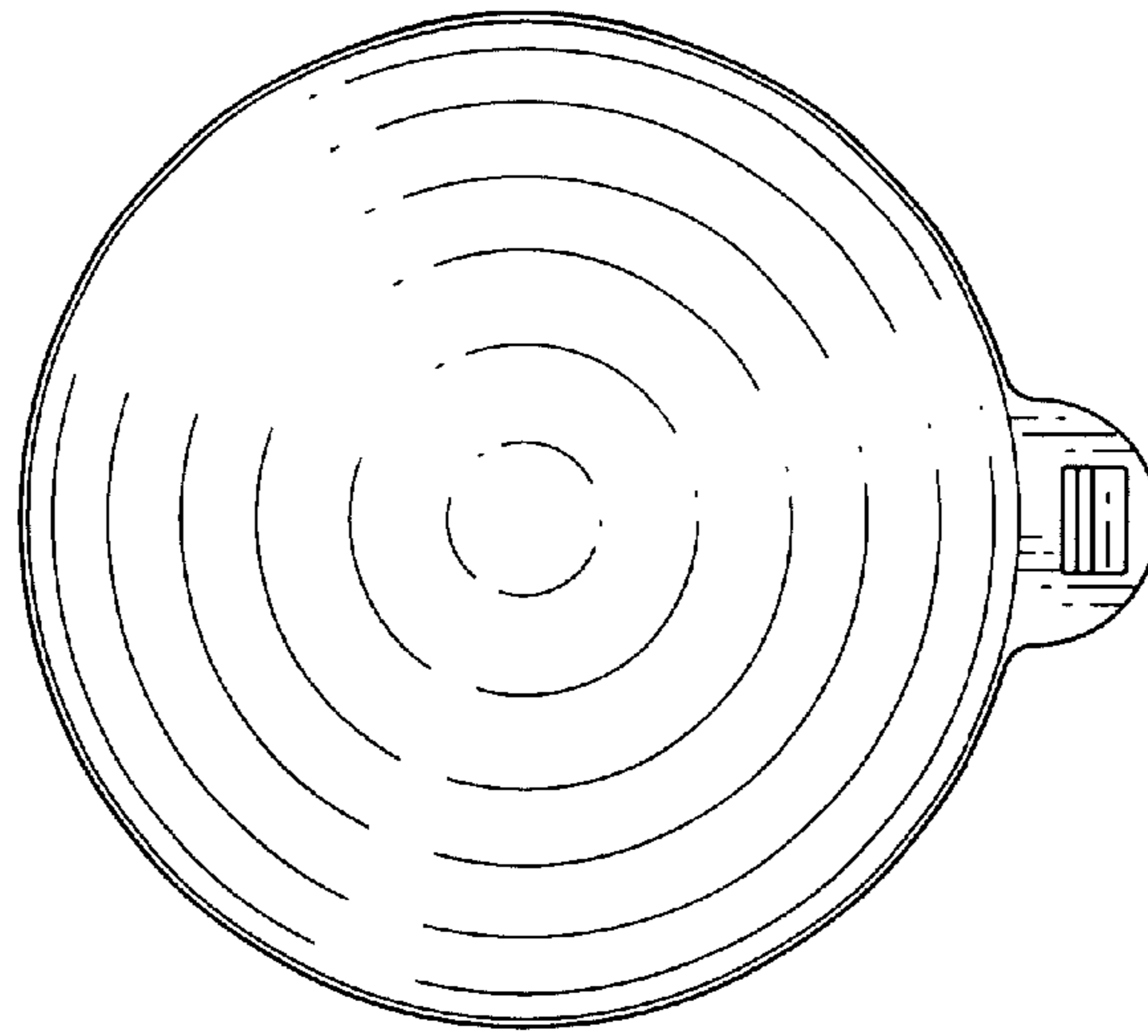


Fig. 13

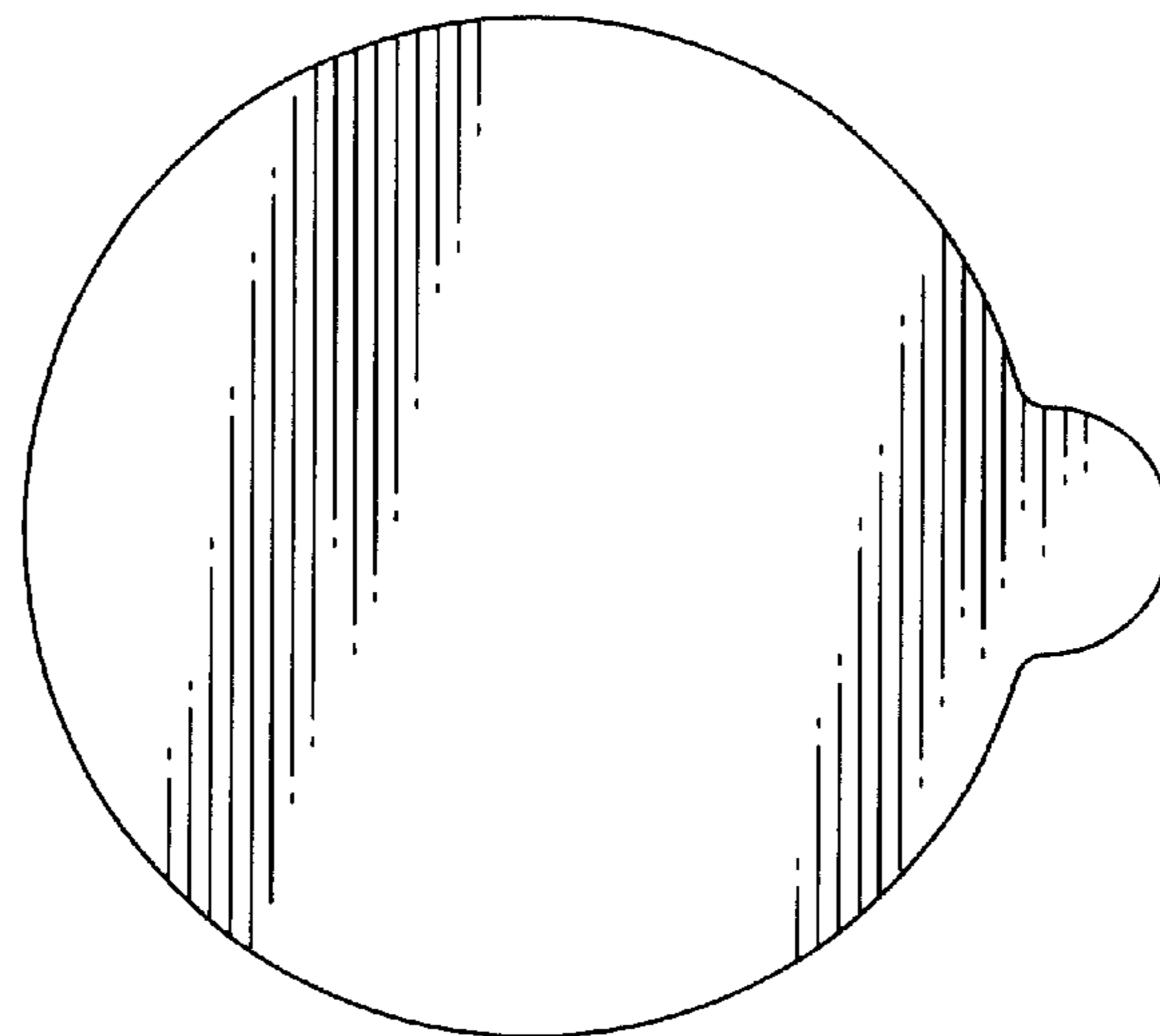


Fig. 14

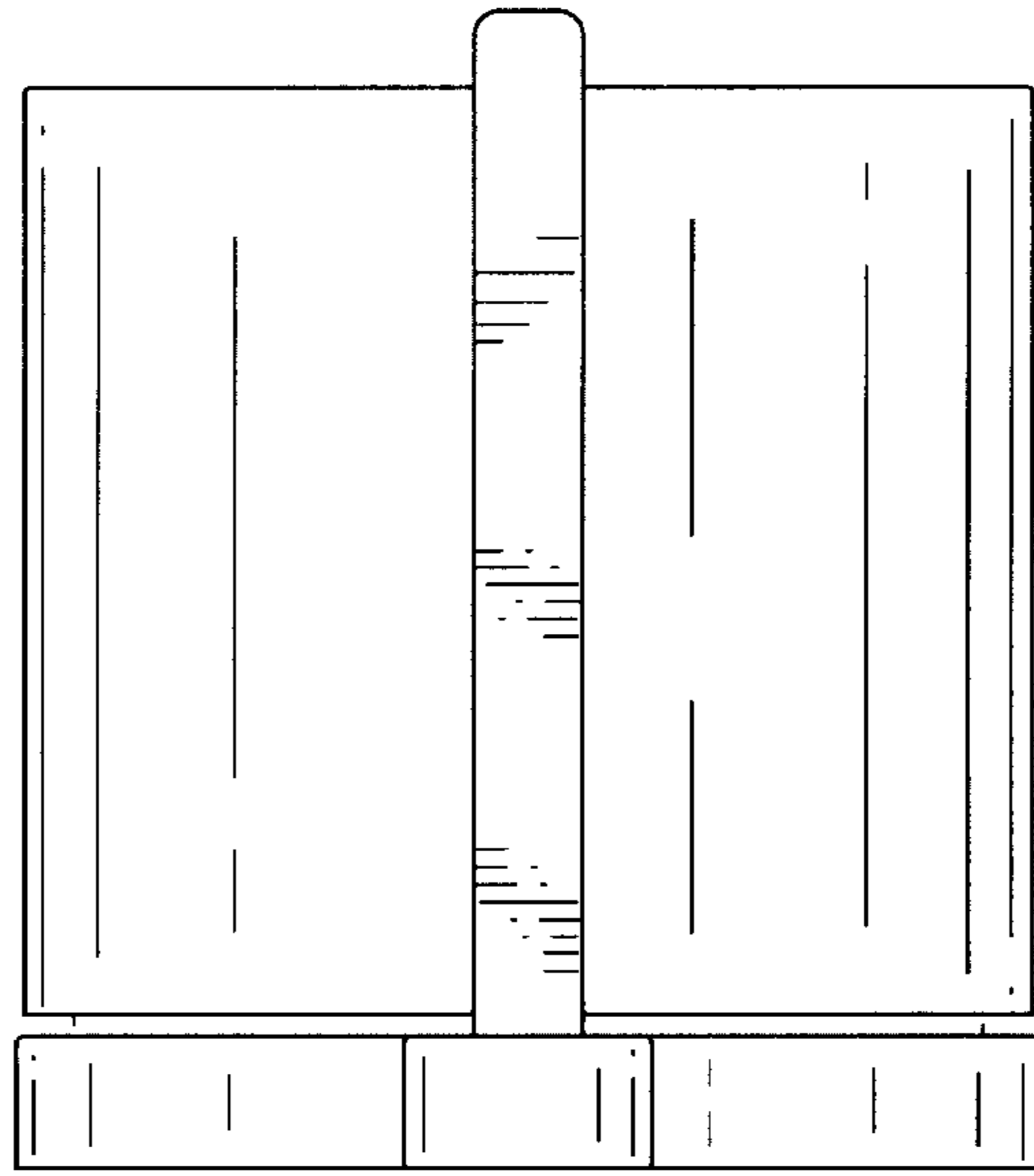


Fig. 15

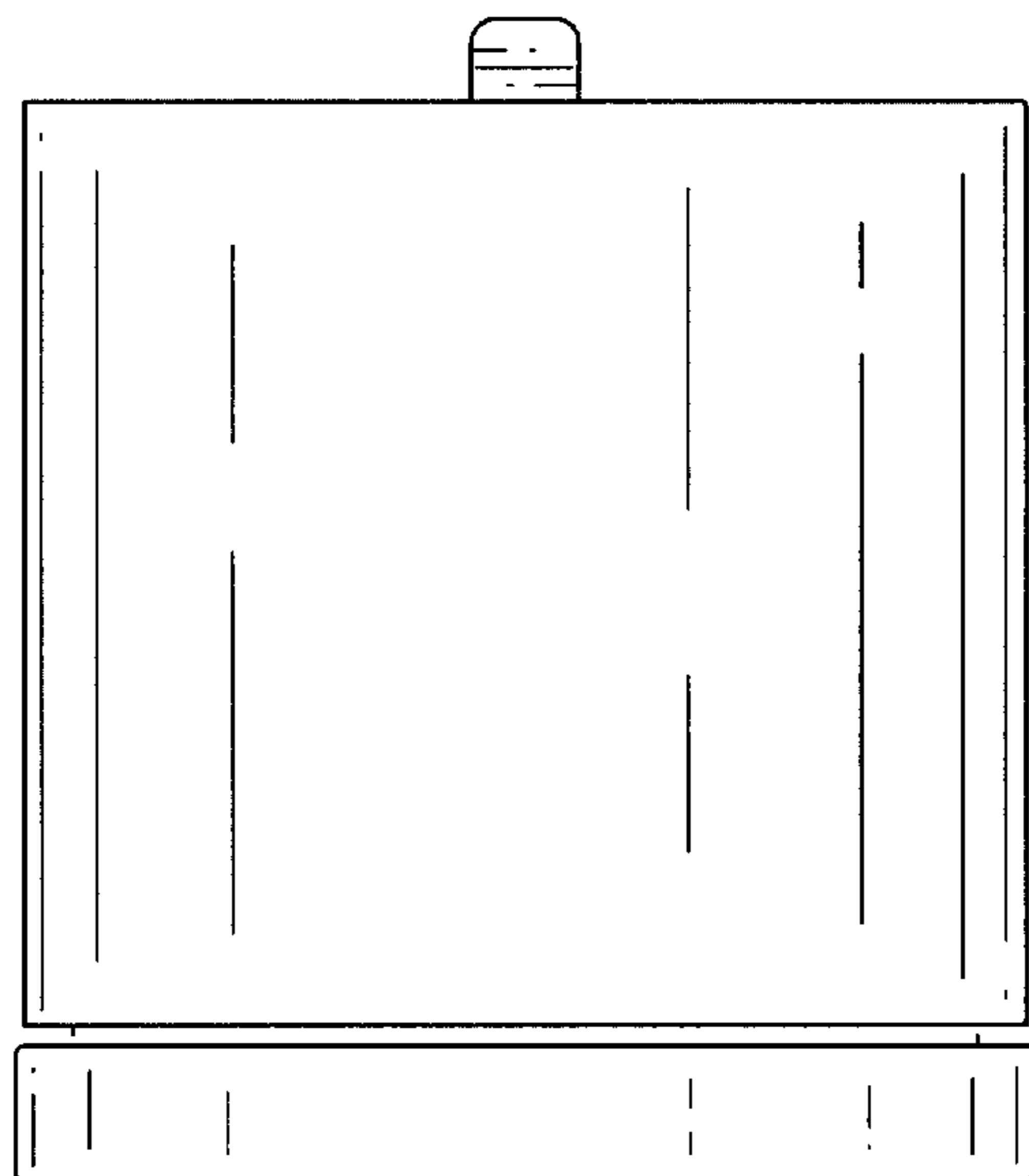


Fig. 16

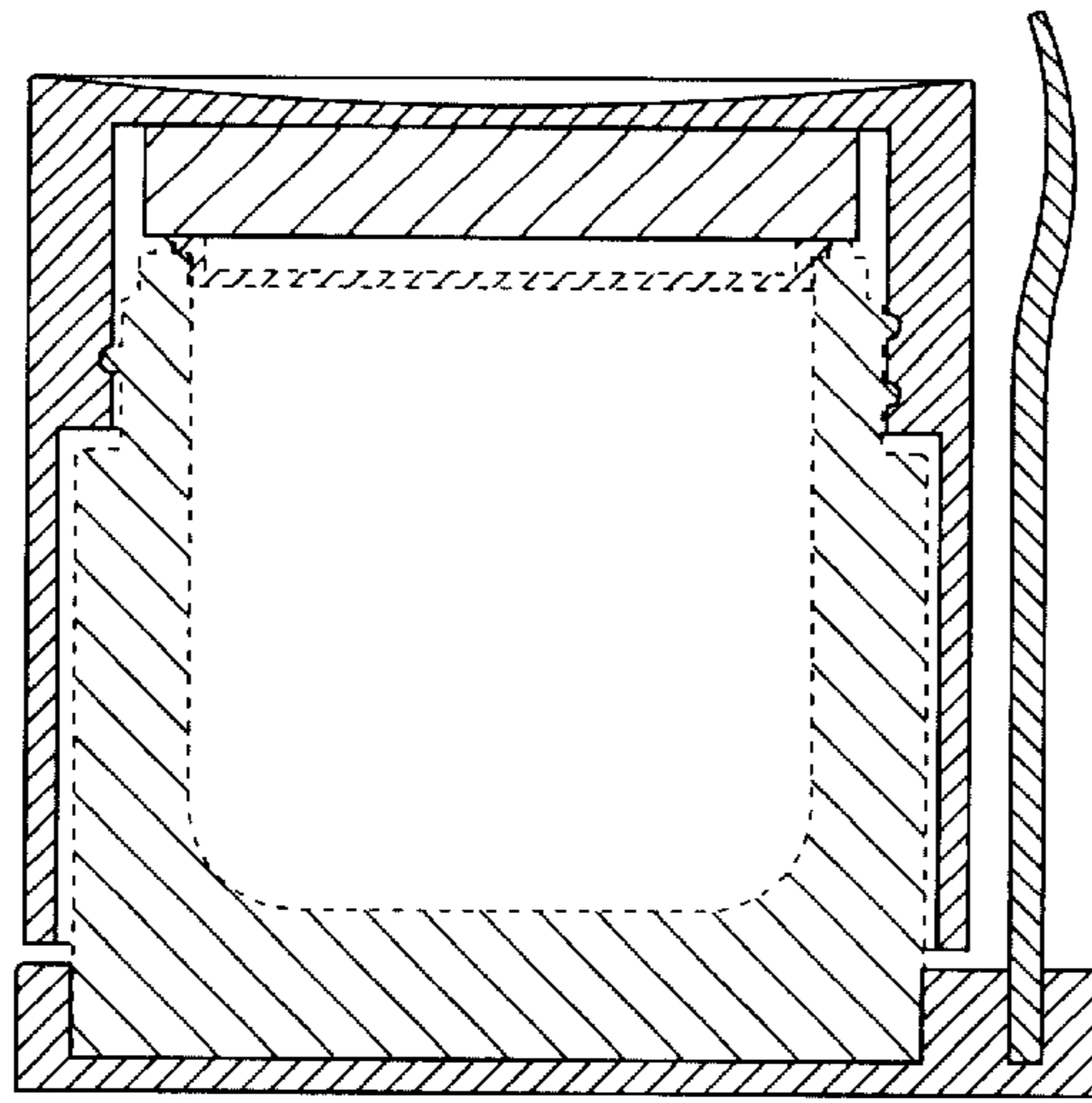


Fig. 17

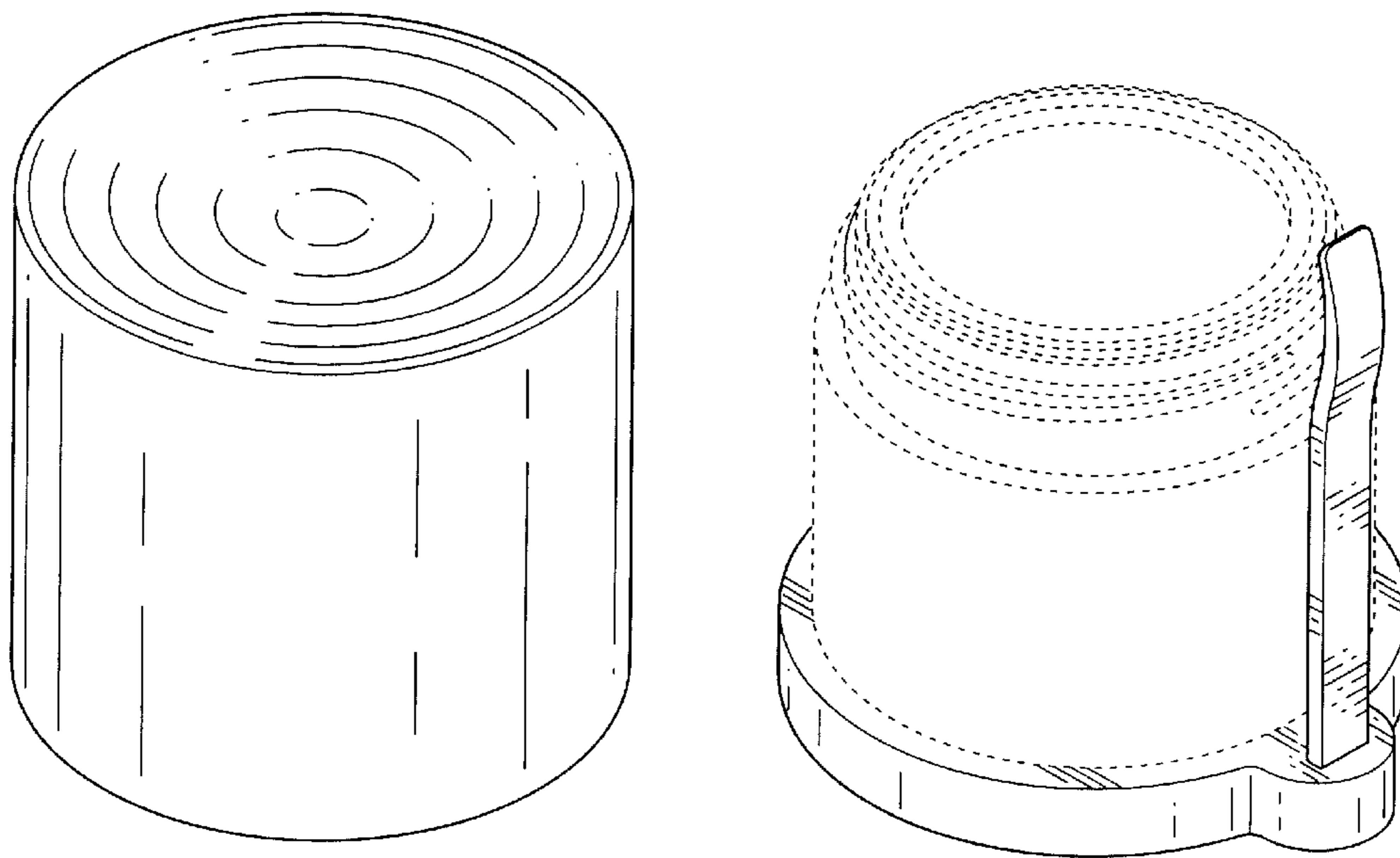


Fig. 18