



US00D536253S

(12) **United States Design Patent**
Howes et al.

(10) **Patent No.:** **US D536,253 S**

(45) **Date of Patent:** **** Feb. 6, 2007**

(54) **PILL DISPENSER**

(75) Inventors: **Andrew Howes**, Norwich (GB); **Steed Hubbard**, Beccles (GB)

(73) Assignee: **Reckitt Benckiser Healthcare**, Slough (GB)

(**) Term: **14 Years**

(21) Appl. No.: **29/226,936**

(22) Filed: **Apr. 4, 2005**

(30) **Foreign Application Priority Data**

Oct. 8, 2004 (EM) 000236971

(51) **LOC (8) Cl.** **09-01**

(52) **U.S. Cl.** **D9/529**

(58) **Field of Classification Search** D9/511,
D9/513, 515-516, 520, 529-530, 542-545,
D9/549-552, 558, 563-565, 571-575, 682,
D9/686, 689-693, 723-725, 728-729; 215/381-385;
220/660, 669; D28/76-77, 82
See application file for complete search history.

(56) **References Cited**

U.S. PATENT DOCUMENTS

D342,676 S * 12/1993 Wuttke D9/529
D380,355 S * 7/1997 Husted D7/679
D414,418 S * 9/1999 Nosella D9/502
D438,459 S * 3/2001 Holthaus D9/728
D449,536 S * 10/2001 Kokubo et al. D9/529

D455,349 S * 4/2002 Lloyd D9/529
D463,907 S * 10/2002 Lemoine D3/205
D475,282 S * 6/2003 Snaith et al. D9/420
D476,901 S * 7/2003 Crawford D9/557
D493,257 S * 7/2004 McCorkindale D28/66
D493,576 S * 7/2004 Ward D28/66

* cited by examiner

Primary Examiner—Ian Simmons

Assistant Examiner—Dana Sipos

(74) *Attorney, Agent, or Firm*—Norris McLaughlin & Marcus, PA

(57) **CLAIM**

The ornamental design for a pill dispenser, as shown and described.

DESCRIPTION

FIG. 1 is a top, right perspective view of a pill dispenser showing my new design;

FIG. 2 is a top, right perspective view thereof, with the top in the open position;

FIG. 3 is a top plan view of the pill dispenser shown in FIG. 1;

FIG. 4 is a bottom plan view thereof;

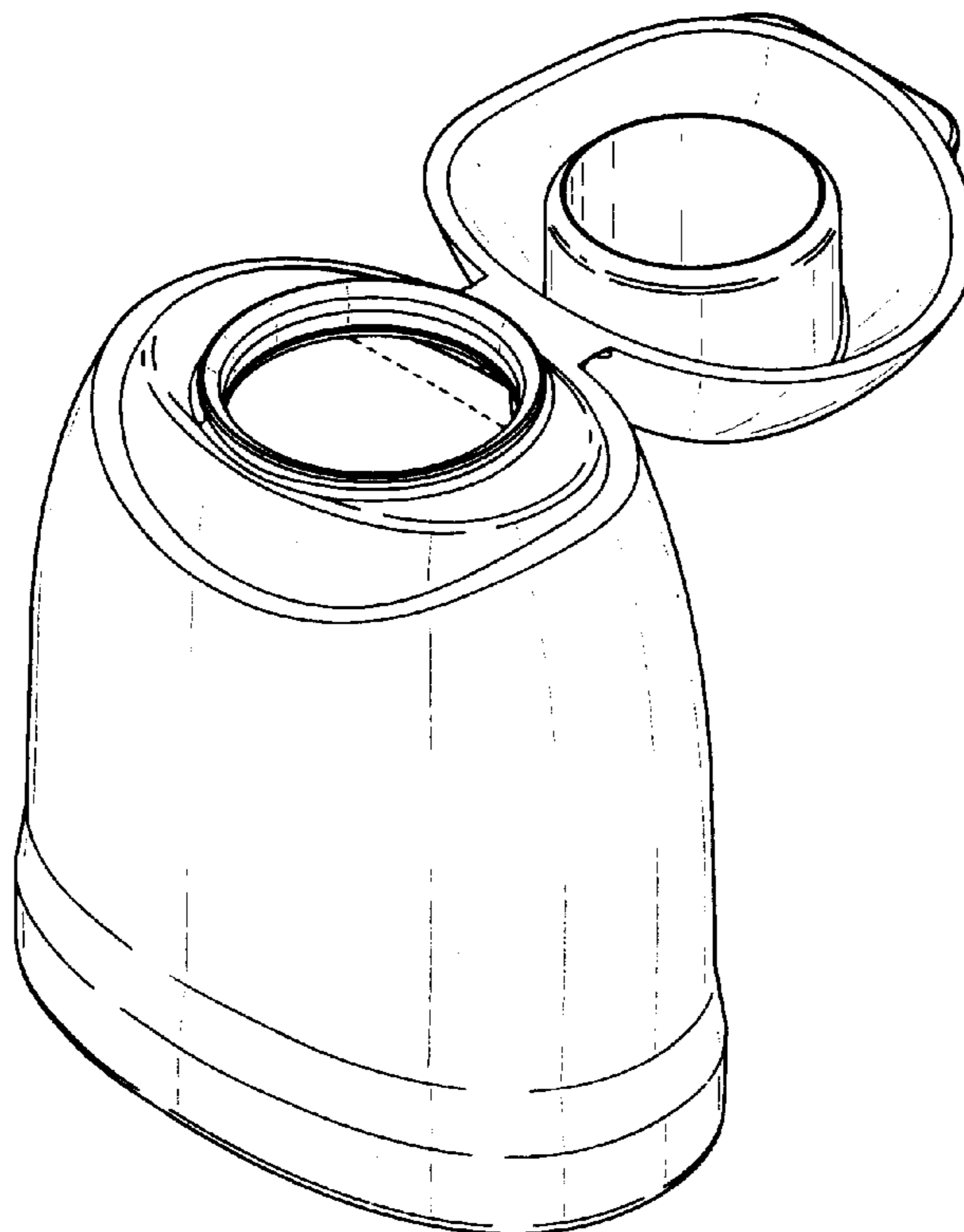
FIG. 5 is a rear elevational view thereof;

FIG. 6 is a right side elevational view thereof; and,

FIG. 7 is a front elevational view thereof.

The broken lines shown in the drawings are for illustrative purposes only and form no part of the claimed design.

1 Claim, 3 Drawing Sheets



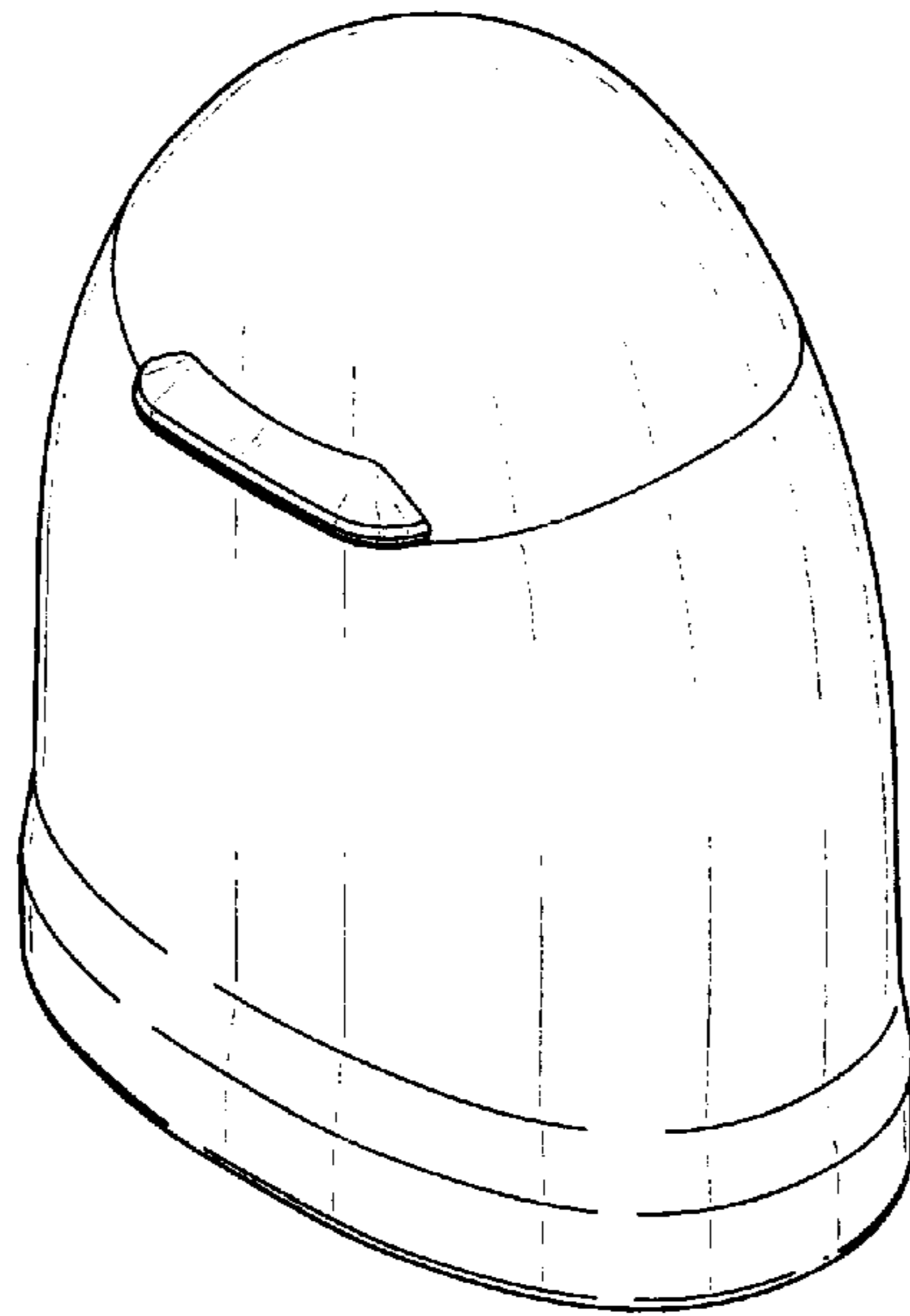


Fig.1.

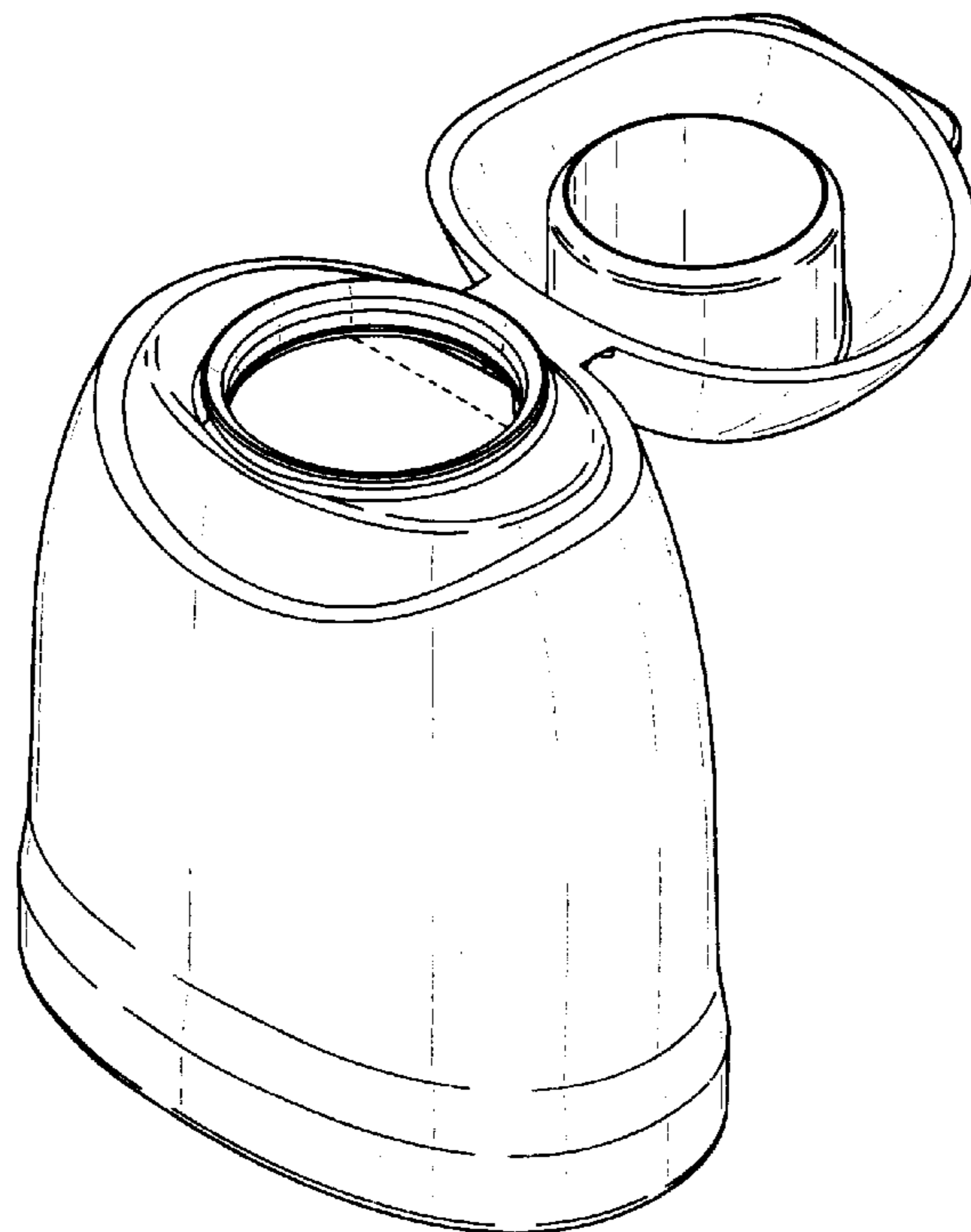


Fig.2.

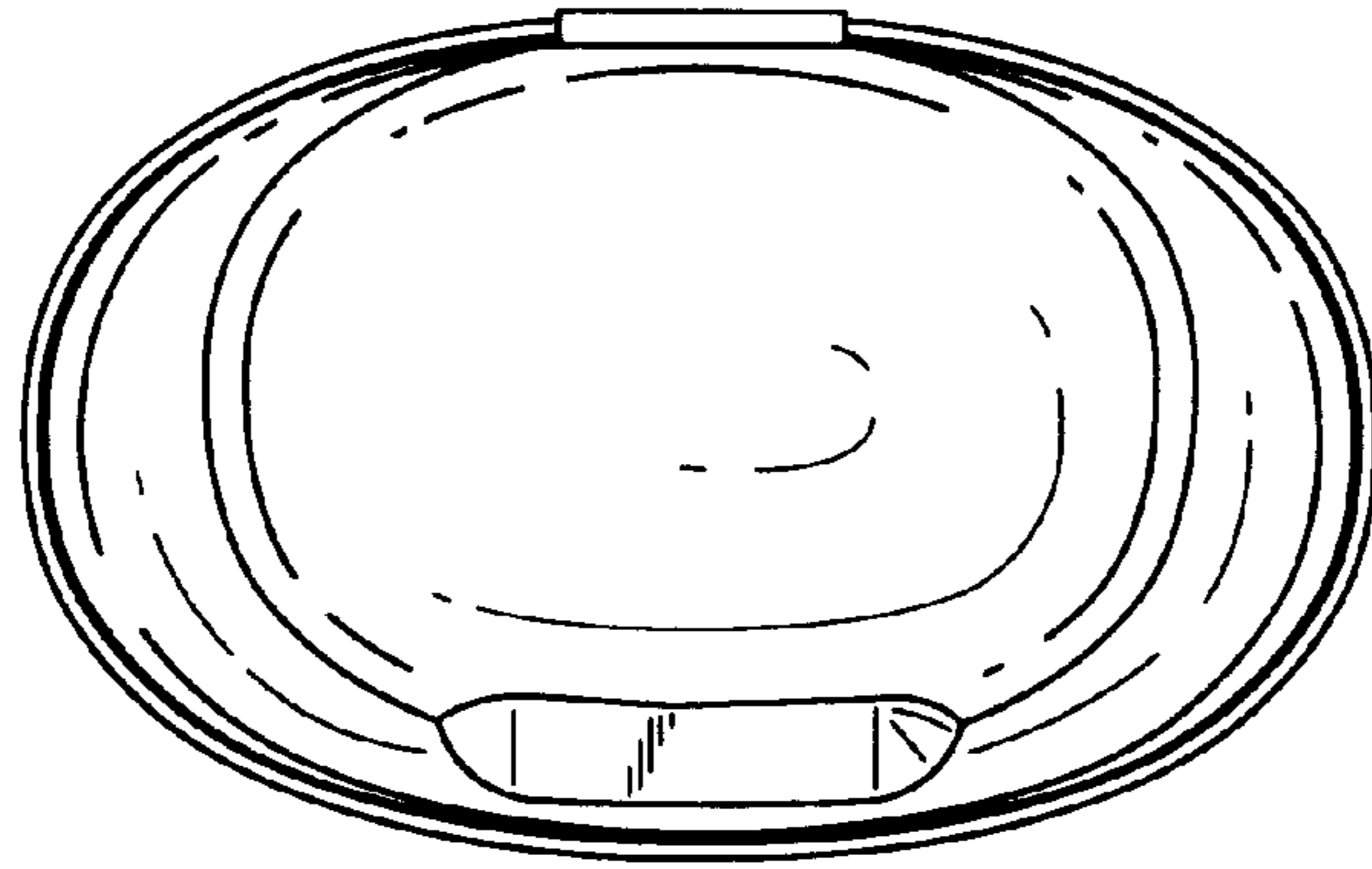


Fig.3.

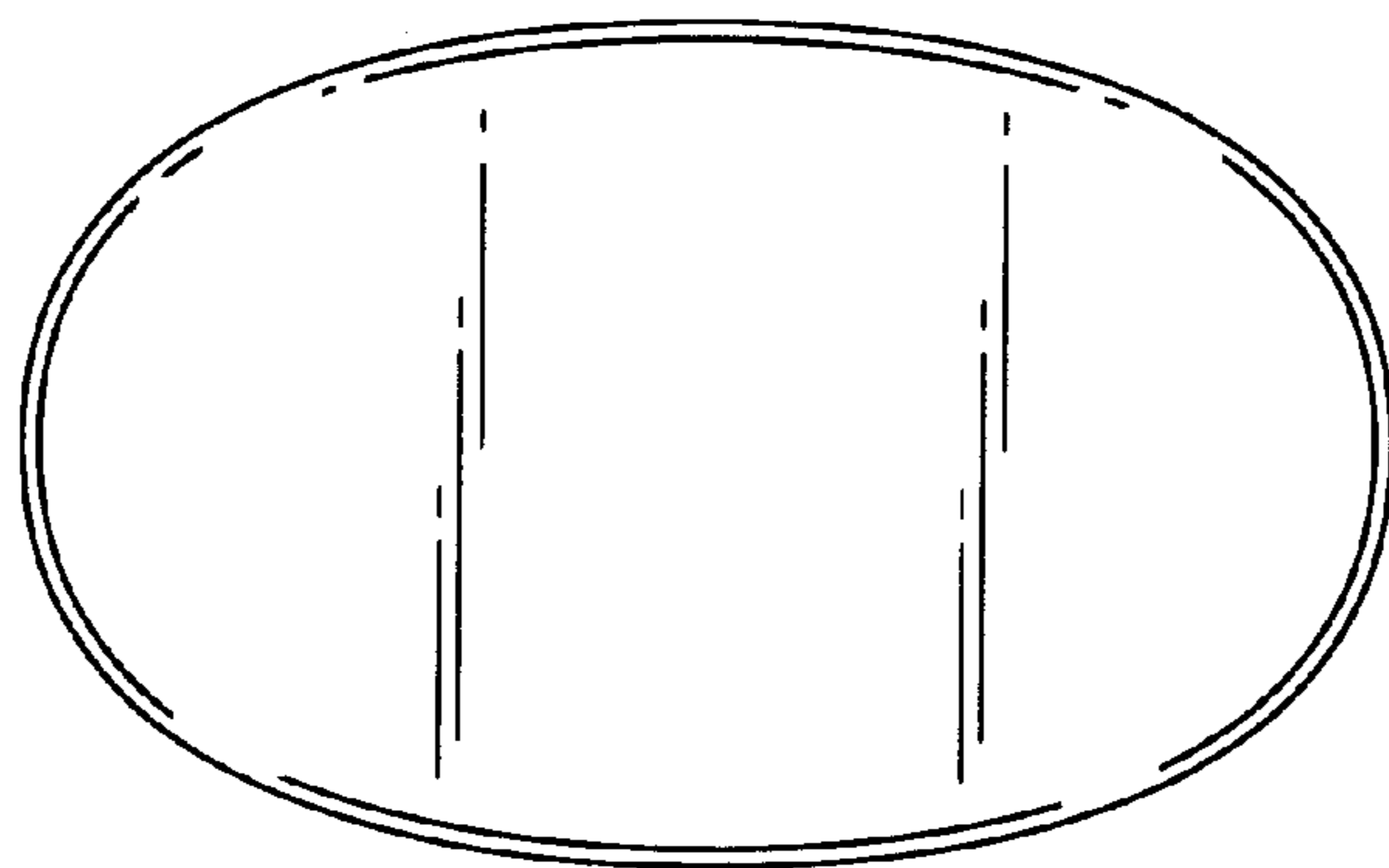


Fig.4.

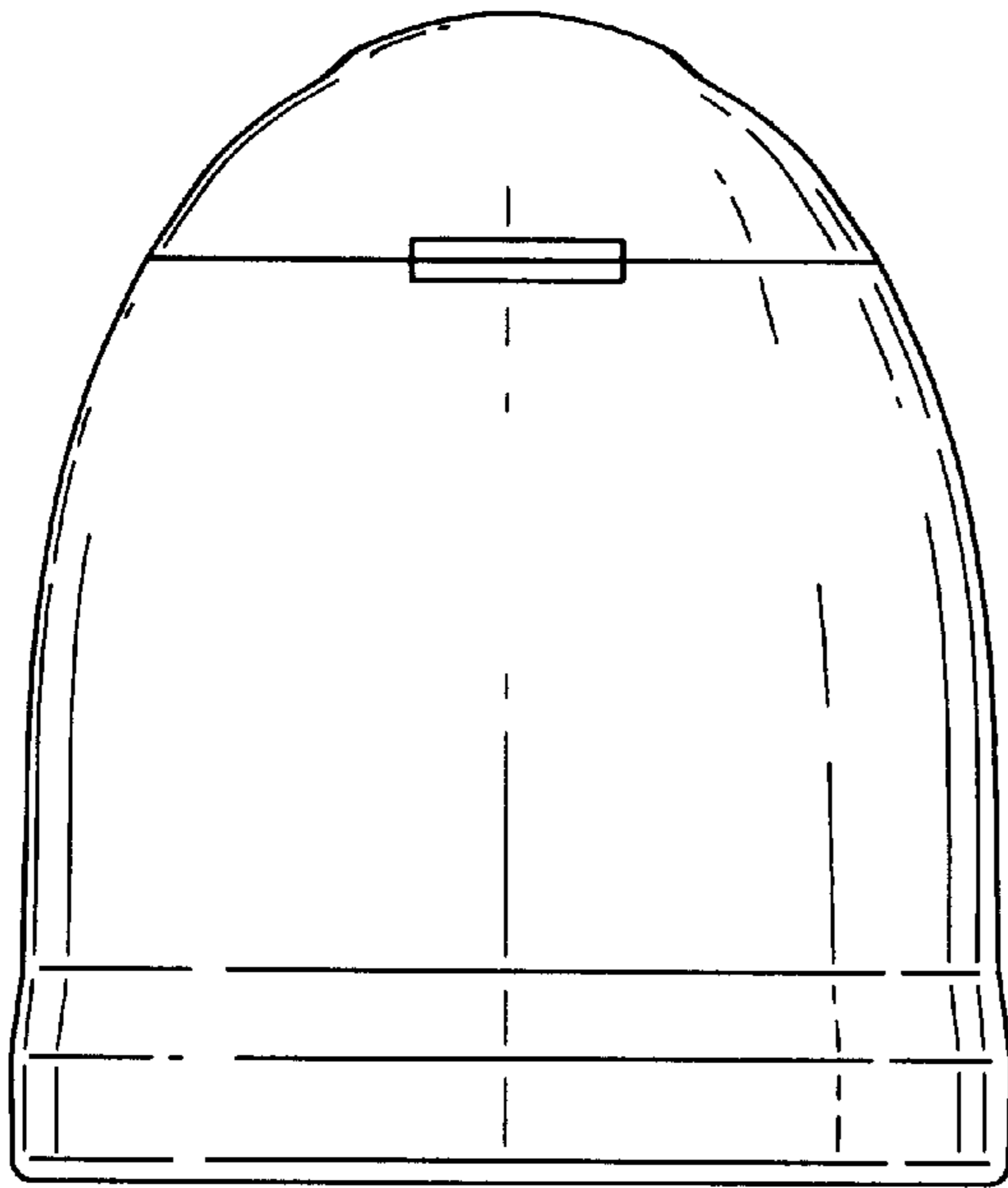


Fig.5.

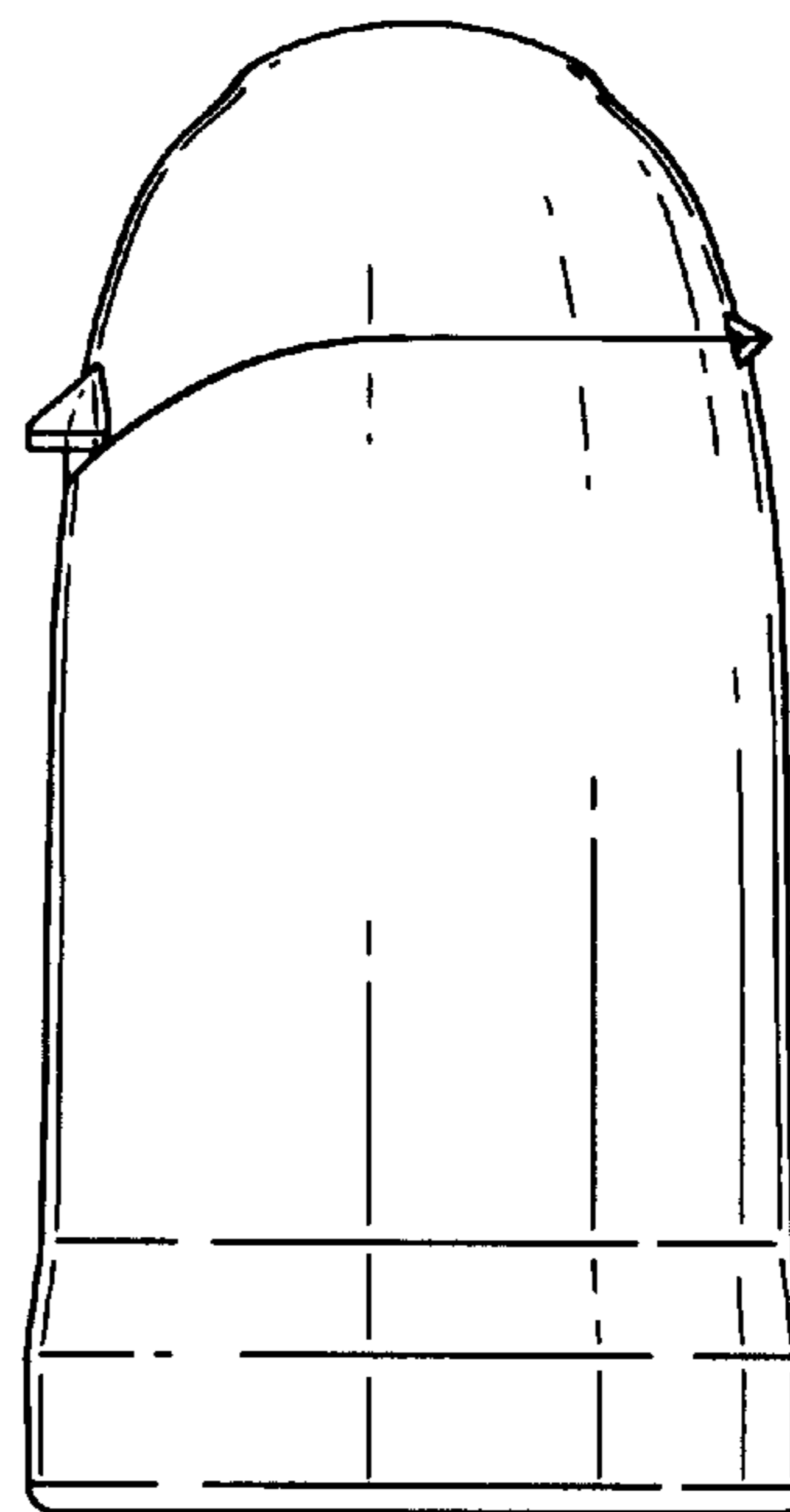


Fig.6.

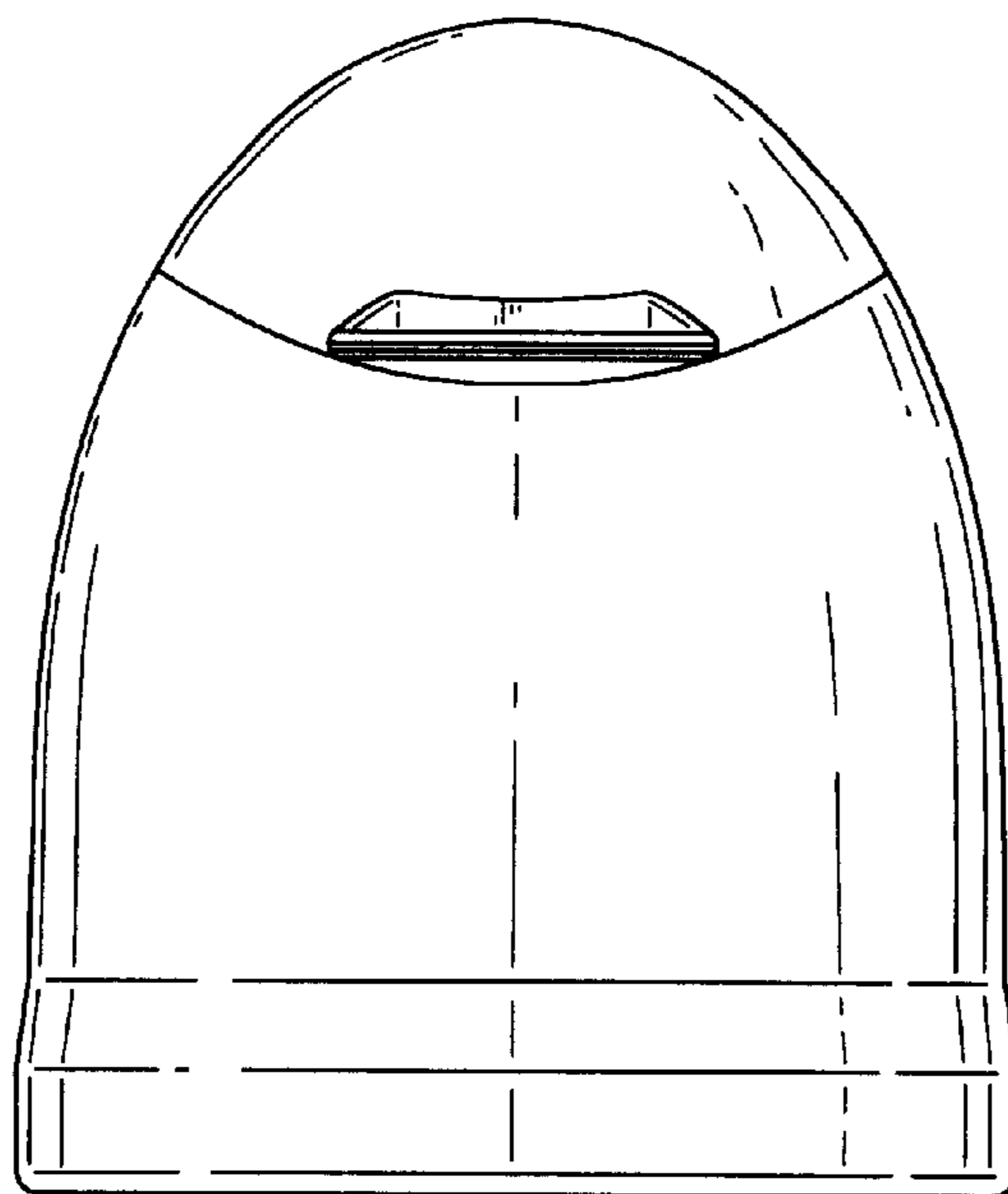


Fig.7.

UNITED STATES PATENT AND TRADEMARK OFFICE
CERTIFICATE OF CORRECTION

PATENT NO. : Des. 536,253 S
APPLICATION NO. : 29/226936
DATED : February 6, 2007
INVENTOR(S) : Andrew Howes and Steed Hubbard

Page 1 of 1

It is certified that error appears in the above-identified patent and that said Letters Patent is hereby corrected as shown below:

Title page, item [73]

Assignee: Reckitt Benckiser Healthcare **should read:**

Reckitt Benckiser Healthcare (UK) Limited
103-105 Bath Road
Slough
Berkshire, SL1 3UH
United Kingdom

Signed and Sealed this

Tenth Day of July, 2007

A handwritten signature in black ink on a dotted background. The signature reads "Jon W. Dudas" in a cursive style.

JON W. DUDAS

Director of the United States Patent and Trademark Office