



US00D536244S

(12) **United States Design Patent**  
**Ahn**

(10) **Patent No.:** **US D536,244 S**

(45) **Date of Patent:** **\*\* Feb. 6, 2007**

(54) **BOX FOR TOY PACKING**

D471,445 S \* 3/2003 Kohl ..... D9/614

(76) Inventor: **Sang Min Ahn**, 14-1502 SK Apt.,  
Anrak-Dong, Dongrae-Gu, Busan (KR)

\* cited by examiner

(\*\*) Term: **14 Years**

*Primary Examiner*—Prabhakar Deshmukh

*Assistant Examiner*—Derrick Holland

(21) Appl. No.: **29/227,897**

(74) *Attorney, Agent, or Firm*—Birch, Stewart, Kolasch &  
Birch, LLP

(22) Filed: **Apr. 18, 2005**

(57) **CLAIM**

(51) **LOC (8) Cl.** ..... **09-03**

The ornamental design for a box for toy packing, as shown  
and described.

(52) **U.S. Cl.** ..... **D9/418**; D9/430

(58) **Field of Classification Search** ..... D9/418,  
D9/337, 414, 424, 431-433; 206/45.14, 429,  
206/478, 756, 769, 779; 220/115; 229/103.2,  
229/105, 113; 446/268

**DESCRIPTION**

See application file for complete search history.

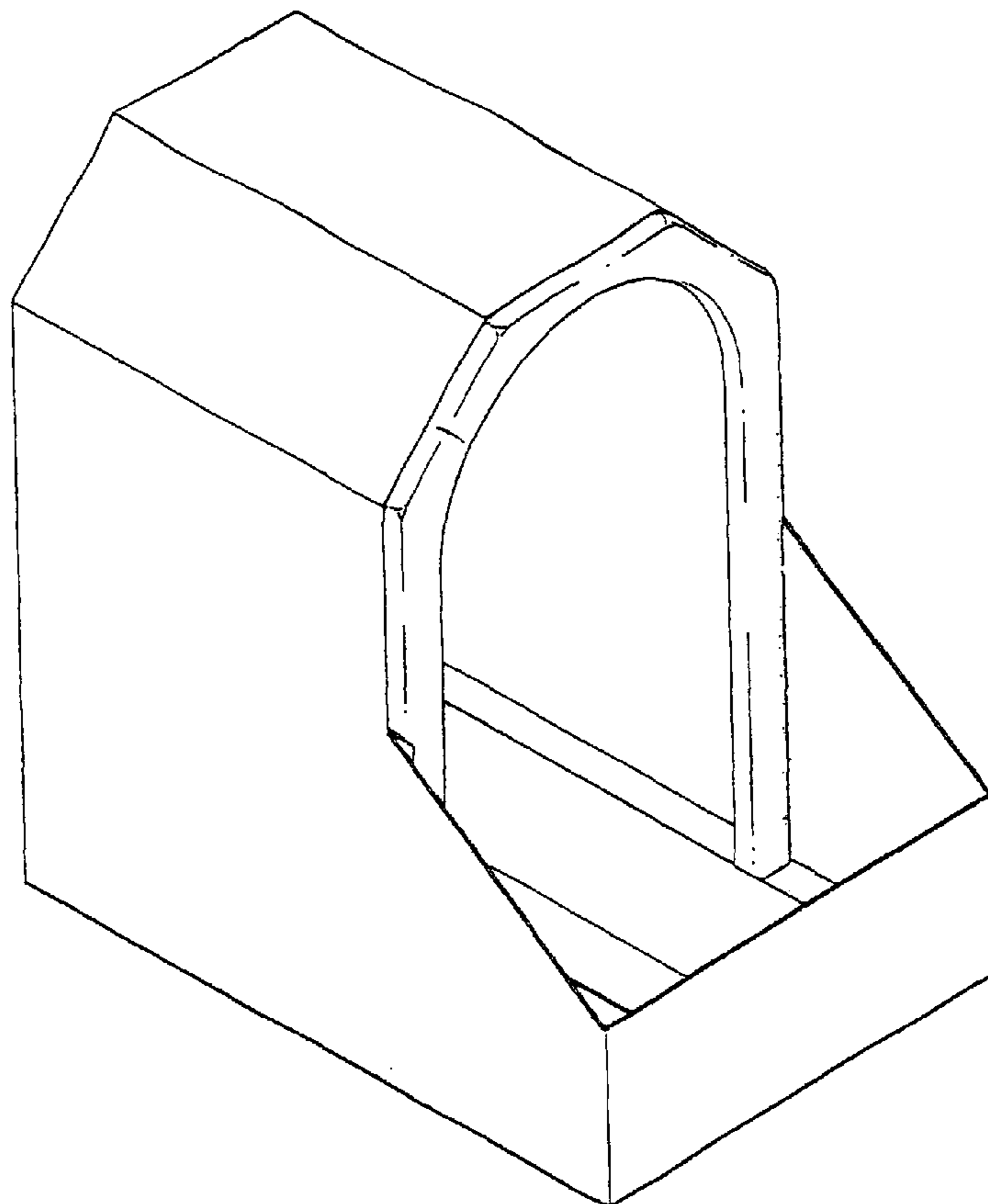
FIG. 1 is a perspective view of a box for toy packing  
showing my new design;  
FIG. 2 is a front elevational view thereof;  
FIG. 3 is a rear elevational view thereof;  
FIG. 4 is a left side elevational view thereof, the right side  
being a mirror image of that shown;  
FIG. 5 is a top plan view thereof;  
FIG. 6 is a bottom plan view thereof; and,  
FIG. 7 is a perspective view thereof, showing environmental  
use.  
The broken lines showing are for illustrative purposes only  
and form no part of the claimed design.

(56) **References Cited**

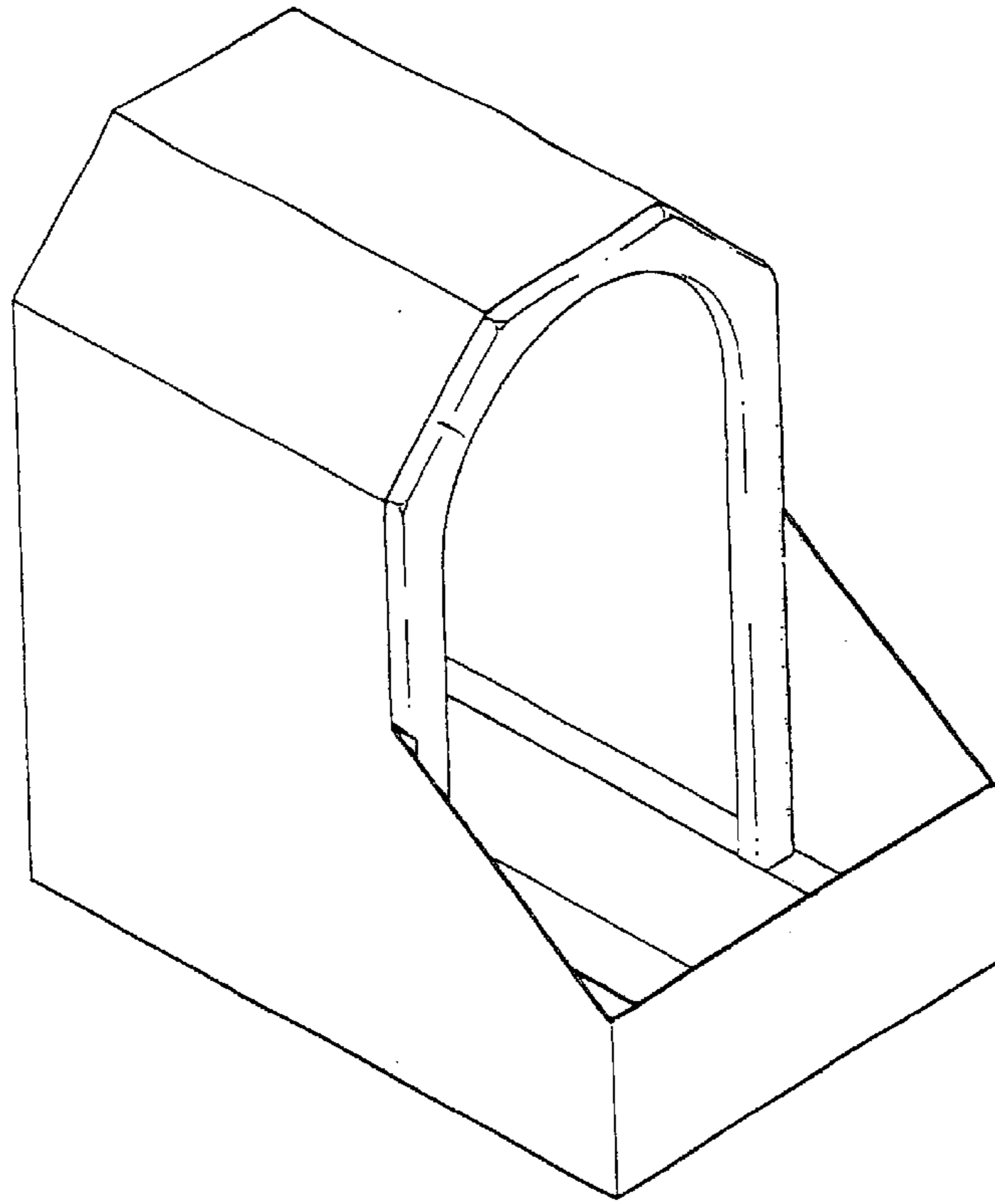
**U.S. PATENT DOCUMENTS**

D84,032 S	*	4/1931	Golden	.....	D9/614
D346,415 S	*	4/1994	Olson-Bauman	.....	D21/604
D360,358 S	*	7/1995	Steinfels, III	.....	D9/415
5,447,269 A	*	9/1995	Fultz	.....	229/120.21
D373,306 S	*	9/1996	Baxter	.....	D9/754
5,919,074 A	*	7/1999	Honda	.....	446/268
5,934,551 A	*	8/1999	Kaufman	.....	229/162.6
D440,488 S	*	4/2001	Thompson et al.	.....	D9/415

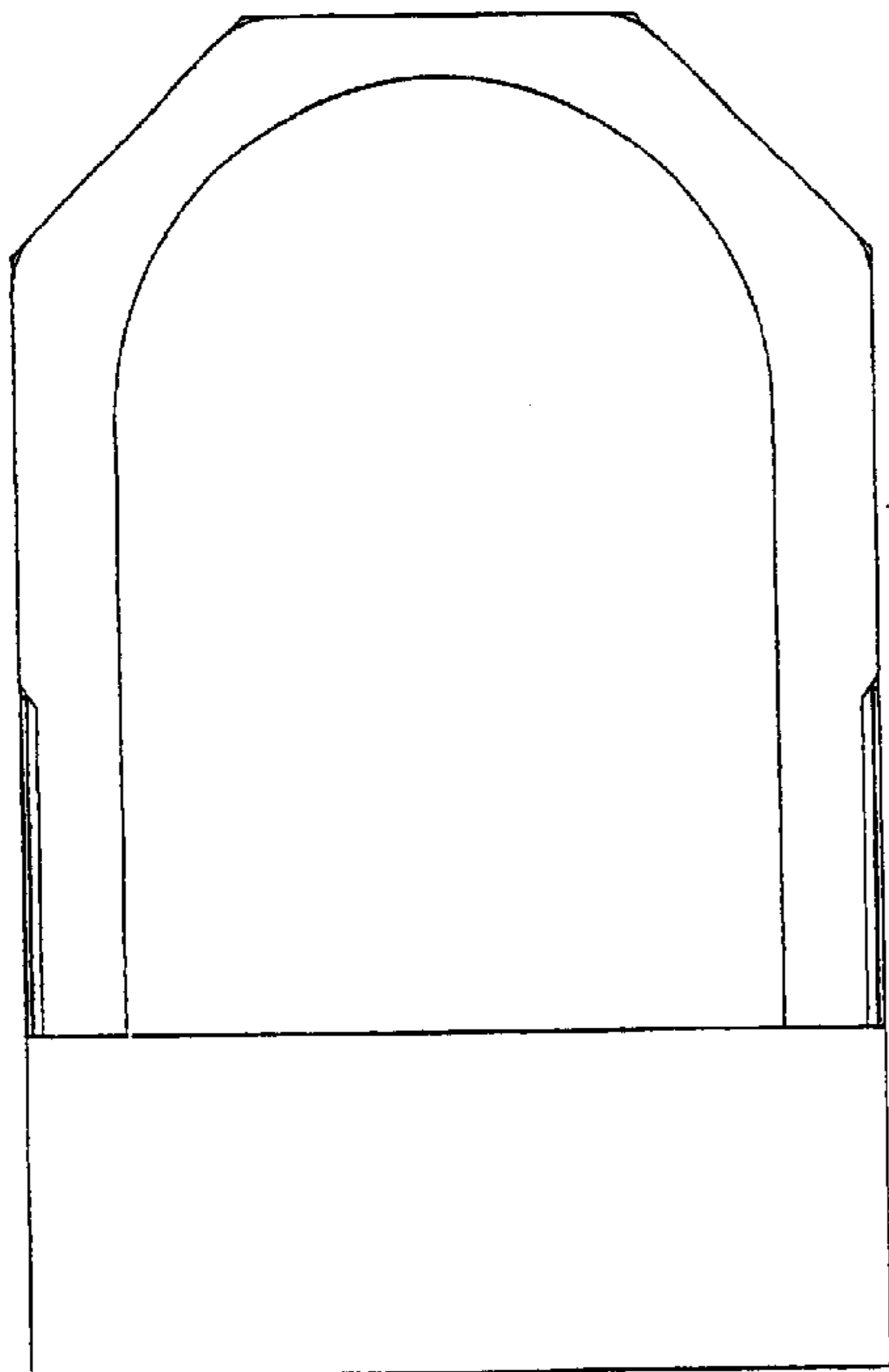
**1 Claim, 3 Drawing Sheets**



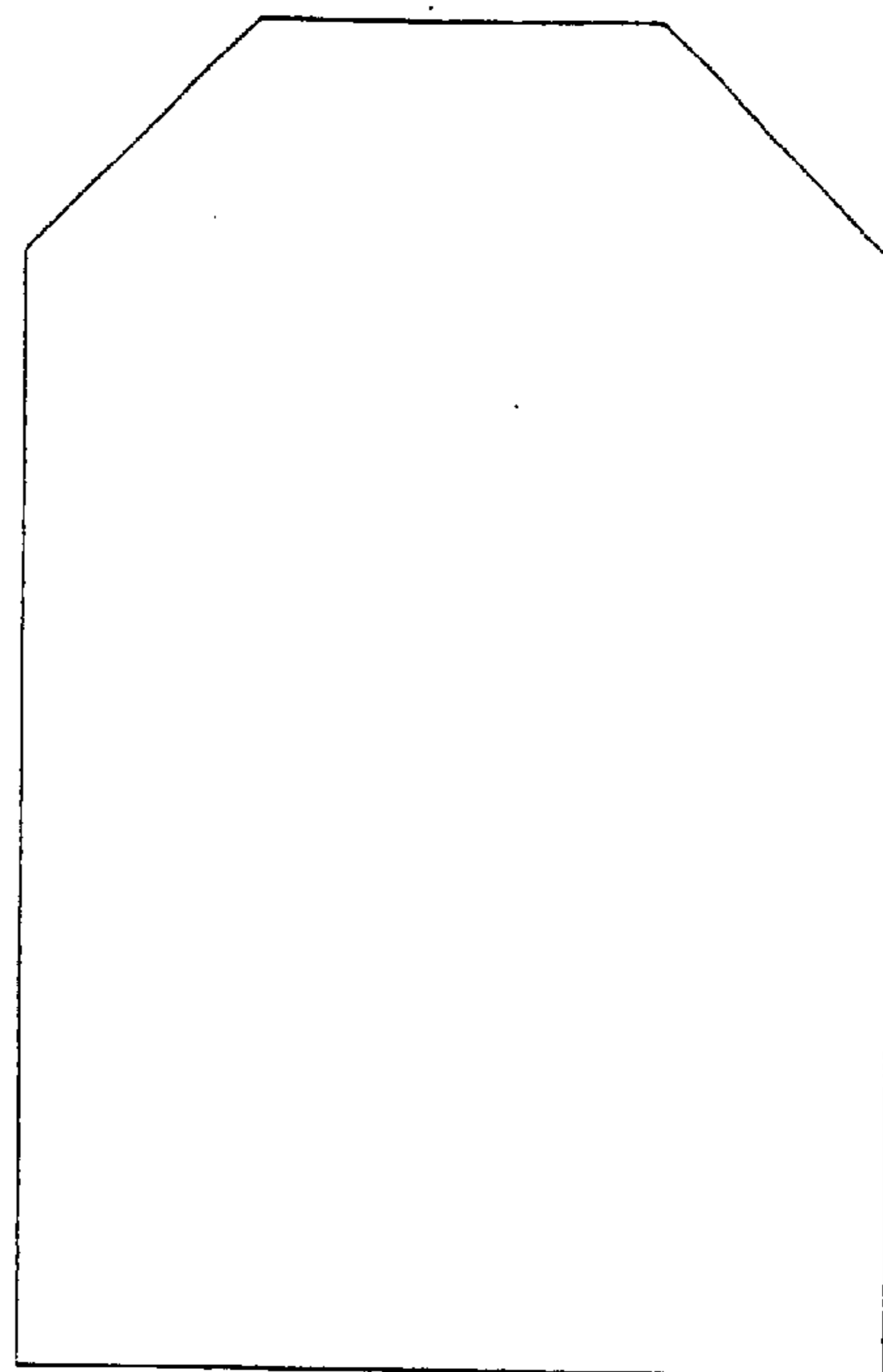
**FIG. 1**



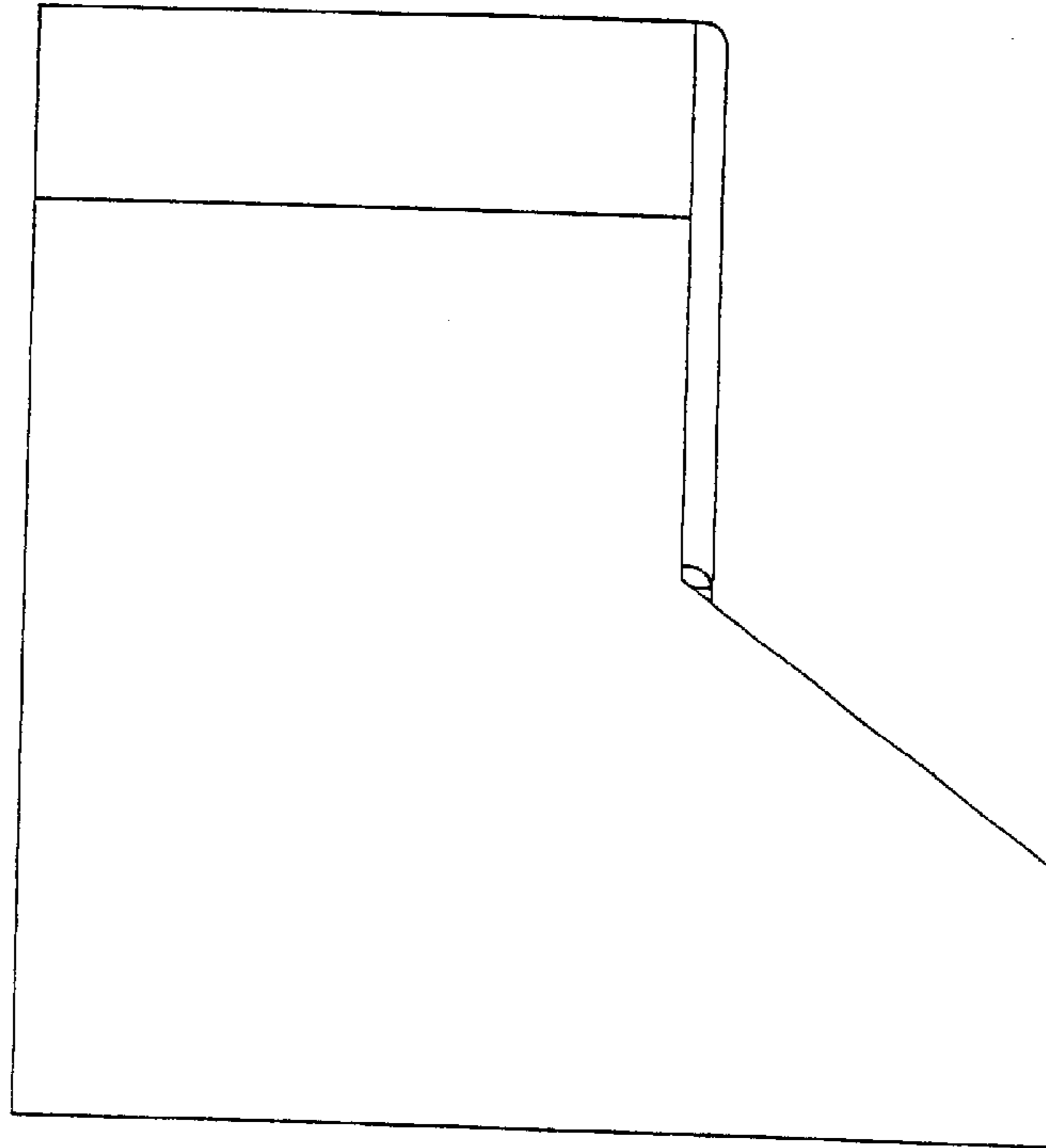
**FIG. 2**



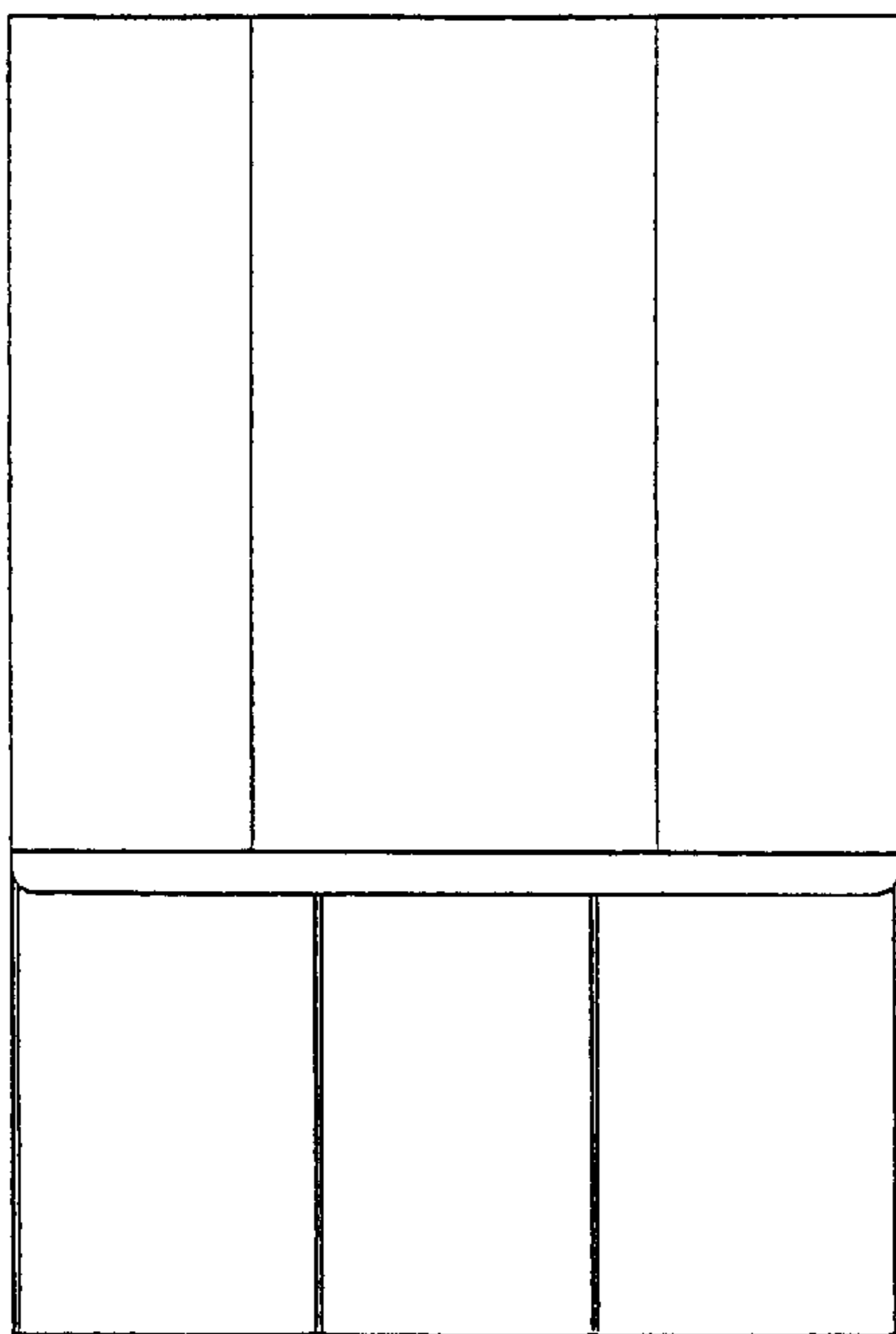
**FIG. 3**



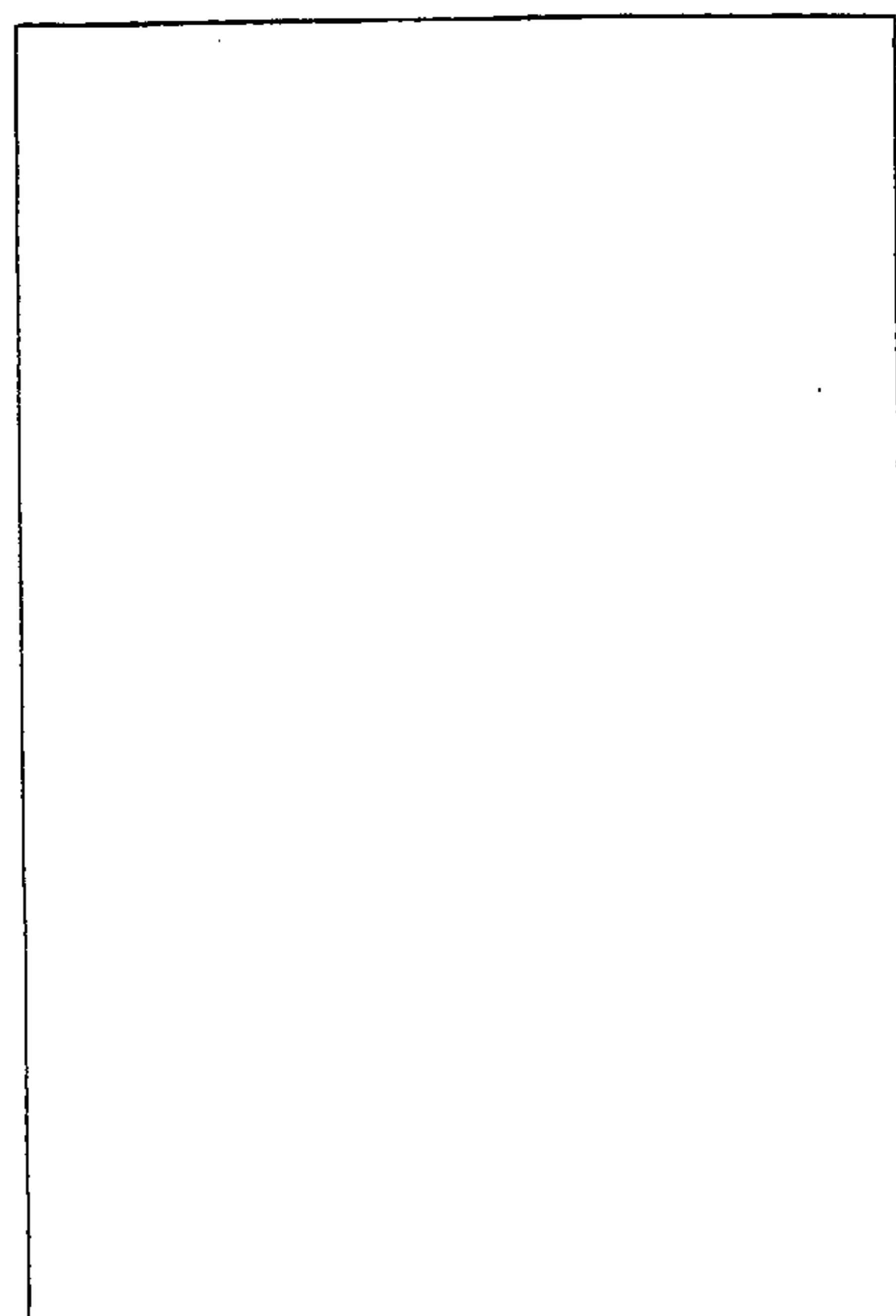
*FIG. 4*



*FIG. 5*



*FIG. 6*



*FIG. 7*

