



US00D536243S

(12) **United States Design Patent**
McNichol

(10) **Patent No.:** **US D536,243 S**

(45) **Date of Patent:** **** Feb. 6, 2007**

(54) **SNOW RAIL MOUNTING BRACKET**

6,536,166 B1 * 3/2003 Alley 52/25

6,647,671 B1 * 11/2003 Alley 52/25

6,688,047 B1 * 2/2004 McNichol 52/25

(75) Inventor: **John McNichol**, Feasterville, PA (US)

(73) Assignee: **Berger Bros. Co.**, Feasterville, PA (US)

* cited by examiner

(**) Term: **14 Years**

Primary Examiner—Stella Reid

Assistant Examiner—Barbara Fox

(21) Appl. No.: **29/221,774**

(74) *Attorney, Agent, or Firm*—Miller Law Group, PLLC

(22) Filed: **Jan. 21, 2005**

(57) **CLAIM**

(51) **LOC (8) Cl.** **08-99**

The ornamental design for a snow rail mounting bracket, as shown and described.

(52) **U.S. Cl.** **D8/499**

(58) **Field of Classification Search** D8/499;

52/545, 533, 26, 25, 24

See application file for complete search history.

DESCRIPTION

(56) **References Cited**

Applicant's utility patent application Ser. No. 10/057,520, issued as U.S. Pat. No. 6,688,047, on Feb. 10, 2004, directed to a different embodiment of a snow rail mounting bracket, is related to the instant patent application.

U.S. PATENT DOCUMENTS

FIG. 1 is a front elevational view of the snow rail mounting bracket showing my new design;

97,316 A	11/1869	Rogers	
473,512 A	4/1892	Laird	
2,079,768 A	5/1937	Levow	108/27
D364,338 S	11/1995	Cline	D8/499
5,522,185 A	6/1996	Cline	52/24
D372,421 S	8/1996	Cline	D8/499
5,732,513 A	3/1998	Alley	52/25
6,164,033 A	12/2000	Haddock	52/545
6,318,028 B2 *	11/2001	Alley	52/25

FIG. 2 is a right side elevational view thereof, the left side elevational view being a mirror image thereof;

FIG. 3 is a rear elevational view thereof;

FIG. 4 is a top plan view thereof;

FIG. 5 is a bottom plan view thereof; and,

FIG. 6 is an upper, right, front perspective view thereof.

1 Claim, 6 Drawing Sheets

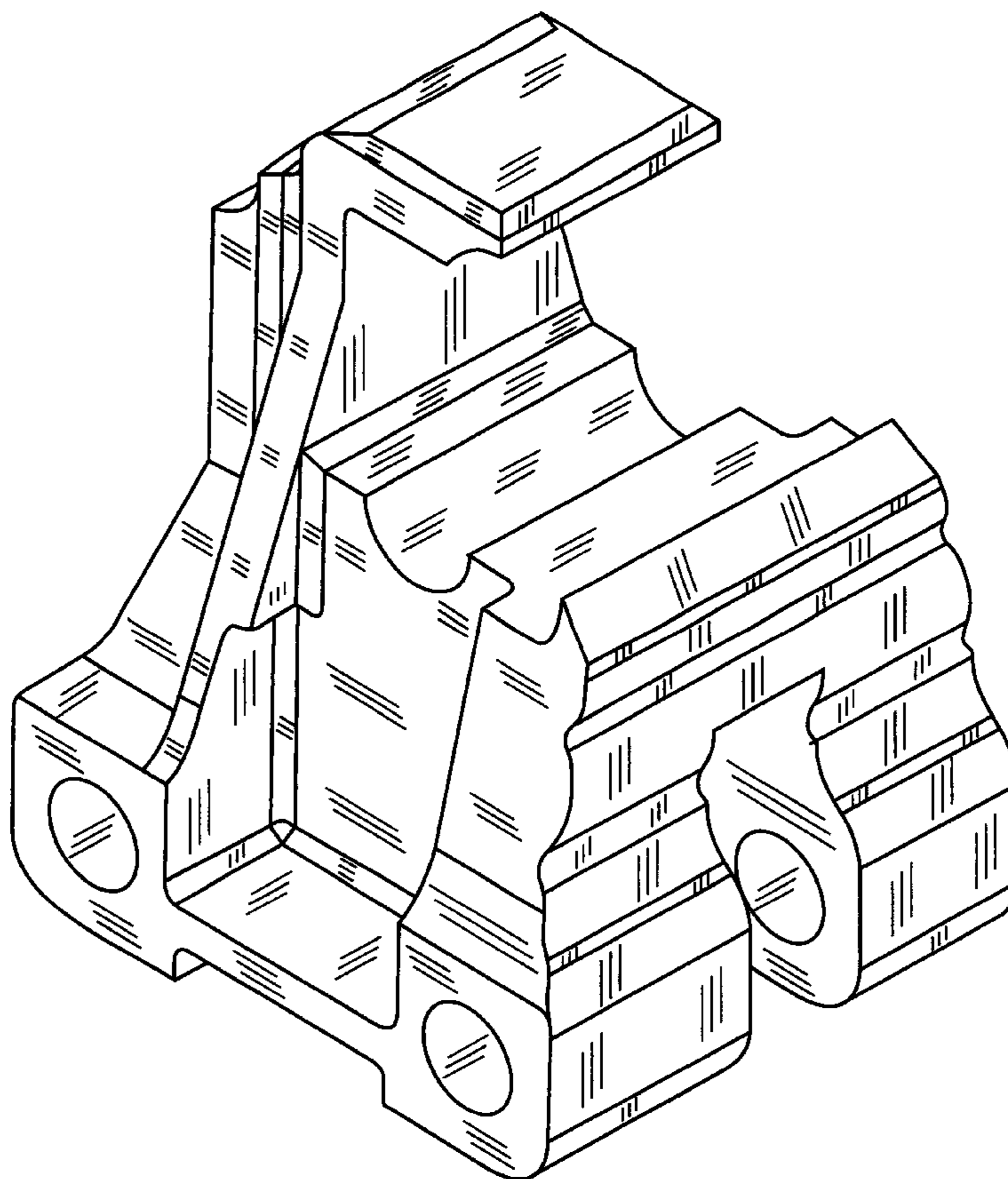


Fig. 1

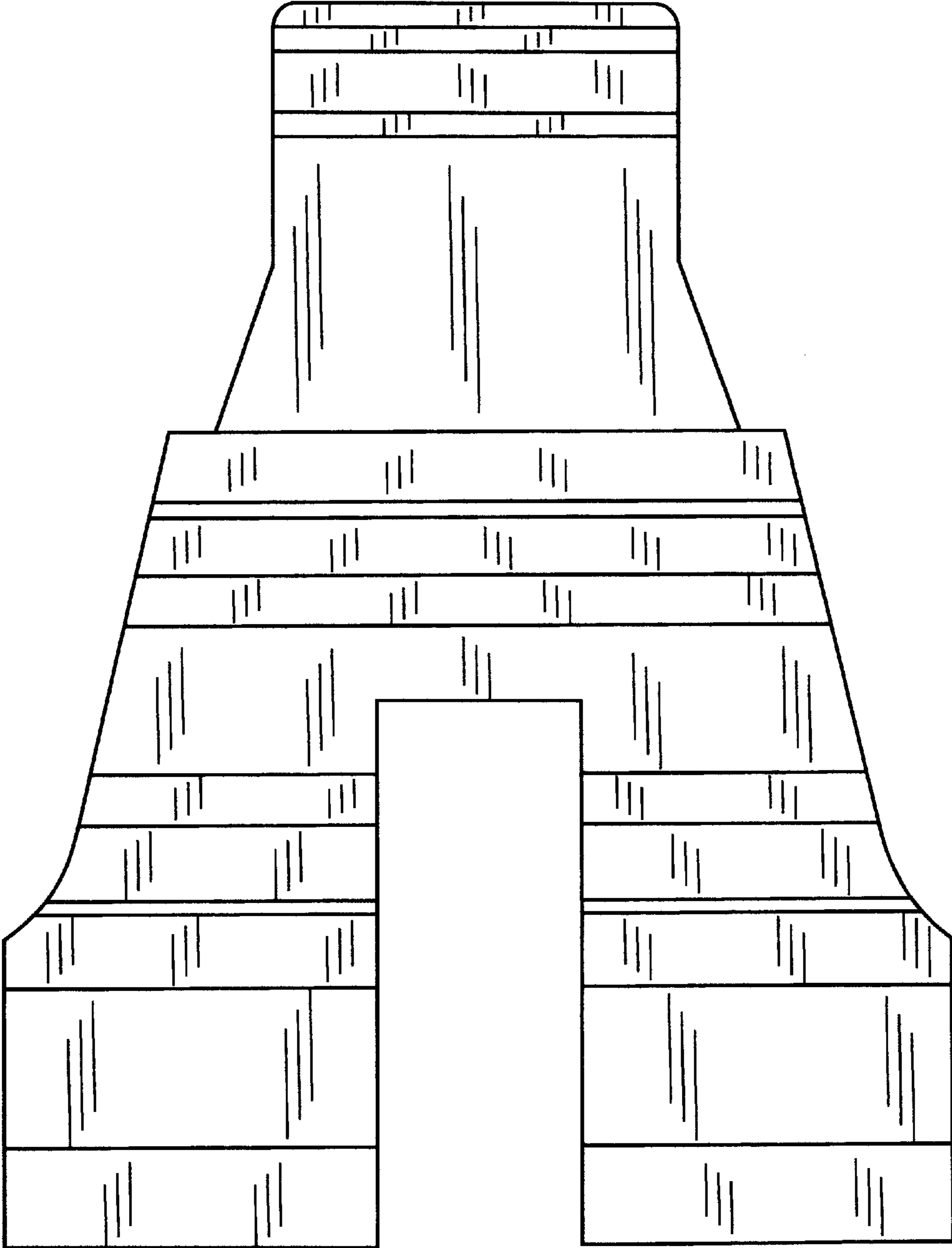


Fig. 2

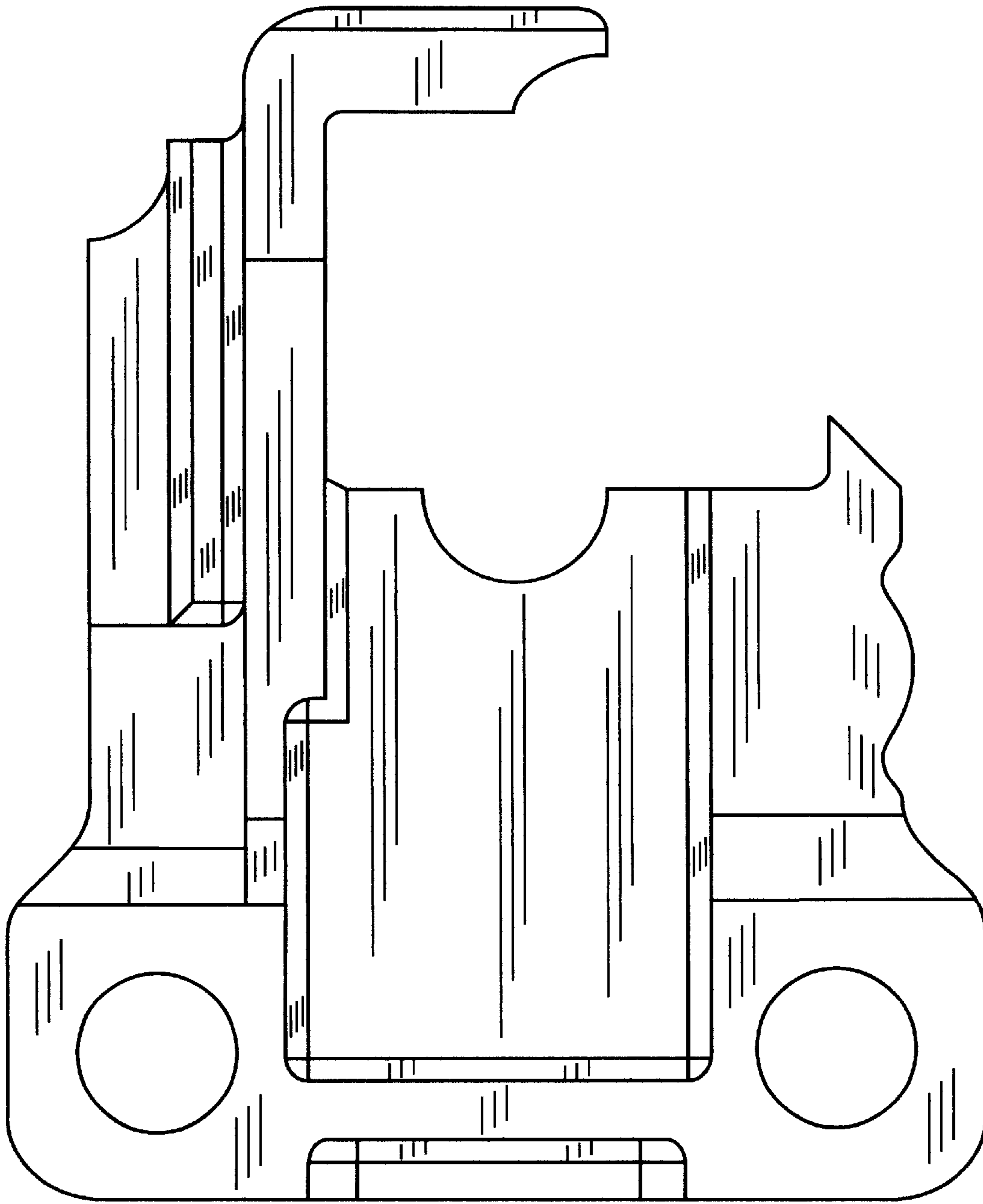


Fig. 3

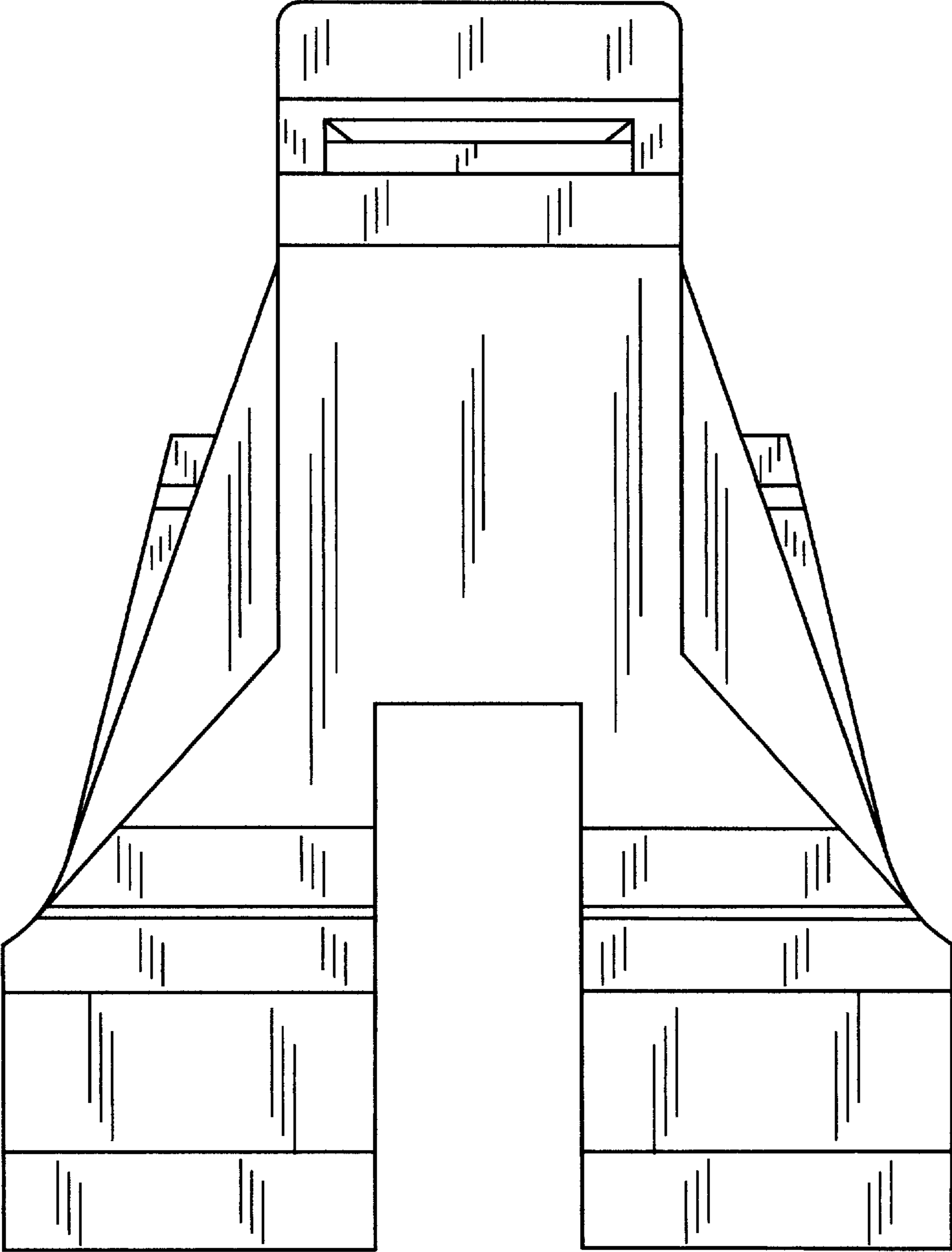


Fig. 4

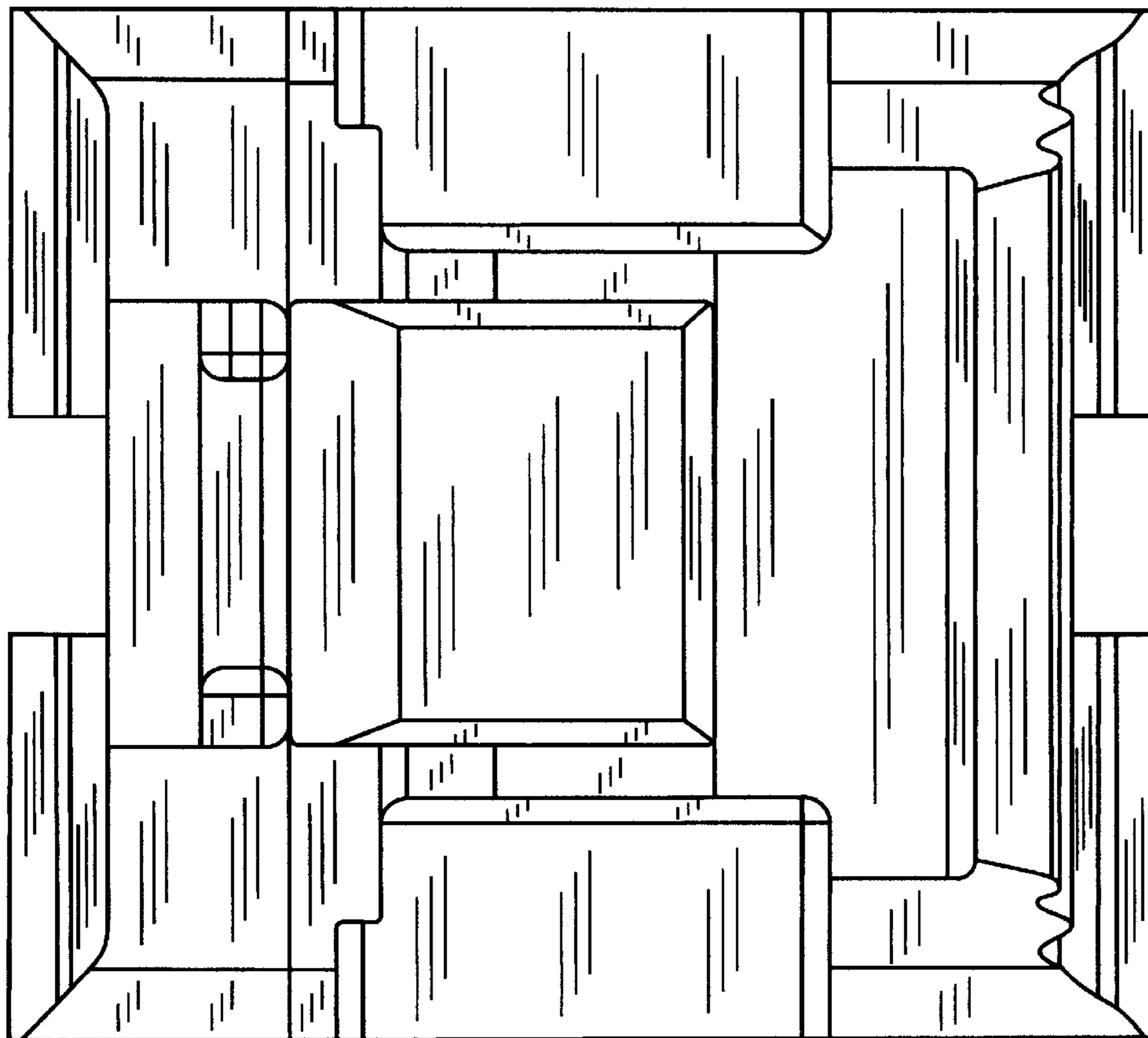


Fig. 5

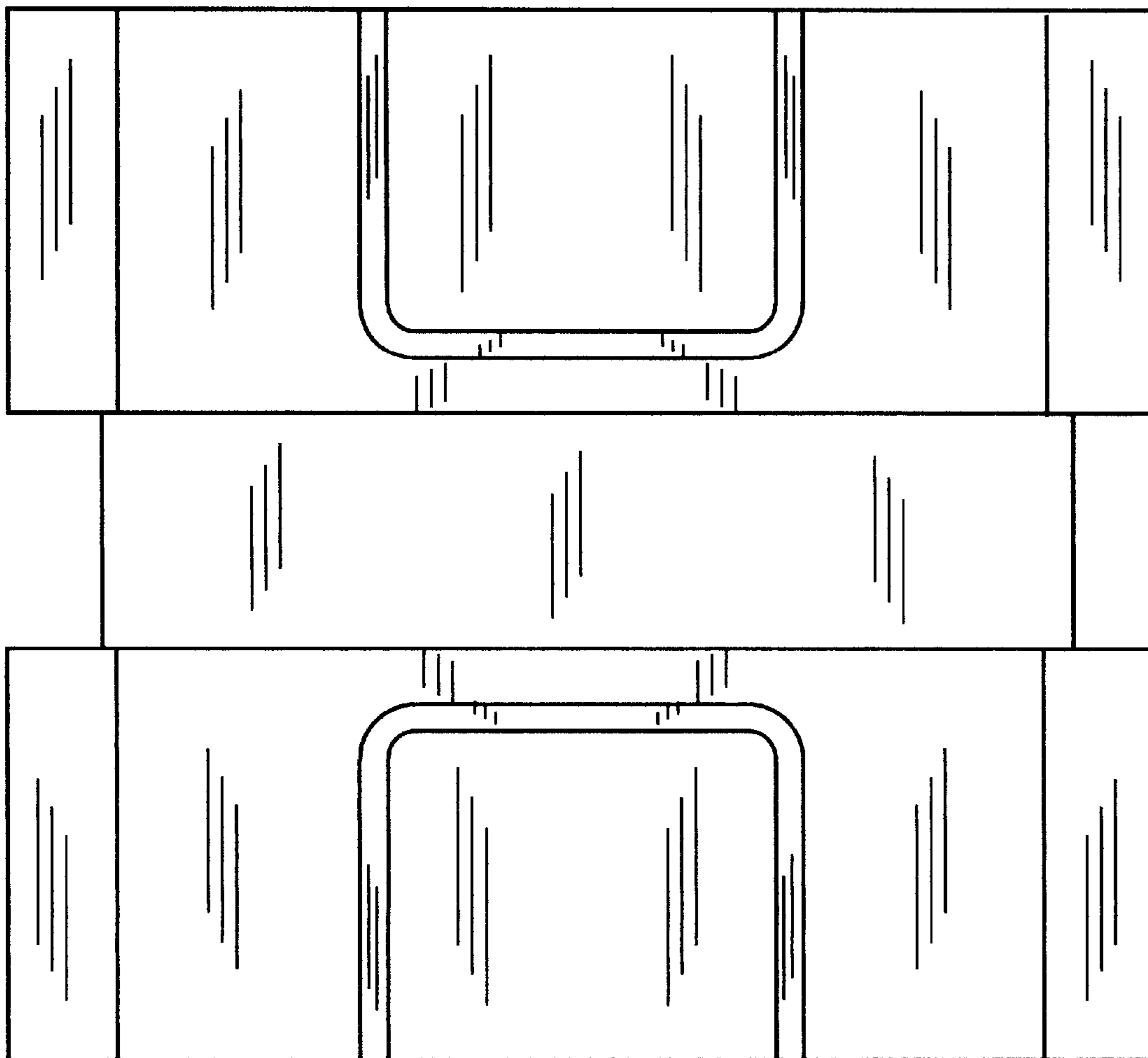


Fig. 6

