



US00D536242S

(12) **United States Design Patent** (10) **Patent No.:** **US D536,242 S**  
**DeBiasio, Jr.** (45) **Date of Patent:** **\*\* Feb. 6, 2007**

- (54) **RETAINER TIP HOOK**
- (76) Inventor: **Lorenzo DeBiasio, Jr.**, 9 Enfield St.,  
Johnston, RI (US) 02919
- (\*\*) Term: **14 Years**
- (21) Appl. No.: **29/224,115**
- (22) Filed: **Feb. 24, 2005**
- (51) **LOC (8) Cl.** ..... **08-05**
- (52) **U.S. Cl.** ..... **D8/370**
- (58) **Field of Classification Search** ..... D8/370;  
211/57.1; 248/220.22, 220.31, 220.41, 220.43  
See application file for complete search history.

5,499,722 A	3/1996	Goldring	
5,597,150 A	1/1997	Stein et al.	
5,645,175 A	7/1997	Wood	
5,651,521 A	7/1997	Aberg	
D405,682 S	2/1999	Suhr	
5,996,955 A	12/1999	Chen	
6,029,827 A	2/2000	Valiulis	
D424,411 S	* 5/2000	Lay et al.	..... D8/370
D435,436 S	* 12/2000	Lay et al.	..... D8/370
6,385,884 B1	5/2002	Valiulis	
D488,996 S	4/2004	DeBiasio, Jr.	
D490,695 S	6/2004	DeBiasio, Jr.	
D494,046 S	8/2004	DeBiasio, Jr.	
2001/0013567 A1	8/2001	Valiulis	
2001/0019095 A1	9/2001	Valiulis	

\* cited by examiner

(56) **References Cited**  
U.S. PATENT DOCUMENTS

D32,690 S	5/1900	Kincey	
1,728,613 A	9/1929	Jones	
2,797,817 A	7/1957	Shugarman	
2,841,353 A	7/1958	Burdick	
2,952,343 A	9/1960	Modrey	
3,069,122 A	12/1962	Babajoff	
3,198,469 A	8/1965	Callanan	
3,216,584 A	11/1965	Sedo	
3,229,239 A	1/1966	Modrey	
3,272,467 A	9/1966	Kassube	
3,288,414 A	11/1966	Fortunato	
3,319,917 A	5/1967	Bilodeau	
3,409,260 A	* 11/1968	Bleed	..... 248/220.22
3,483,995 A	12/1969	Larson	
3,484,069 A	12/1969	Larson	
3,715,096 A	* 2/1973	Filbert	..... 248/220.22
3,724,792 A	4/1973	Thalenfeld	
3,853,293 A	12/1974	Larson	
4,394,909 A	7/1983	Valiulis et al.	
4,526,335 A	* 7/1985	Garfinkle	..... 248/220.31
4,783,033 A	11/1988	Valiulis	
4,850,557 A	7/1989	Valiulis	
4,869,376 A	9/1989	Valiulis et al.	
5,180,128 A	* 1/1993	Massey	..... 248/220.41
5,441,161 A	8/1995	Merl	

*Primary Examiner*—Holly H. Baynham  
(74) *Attorney, Agent, or Firm*—McGuinness & Manaras LLP

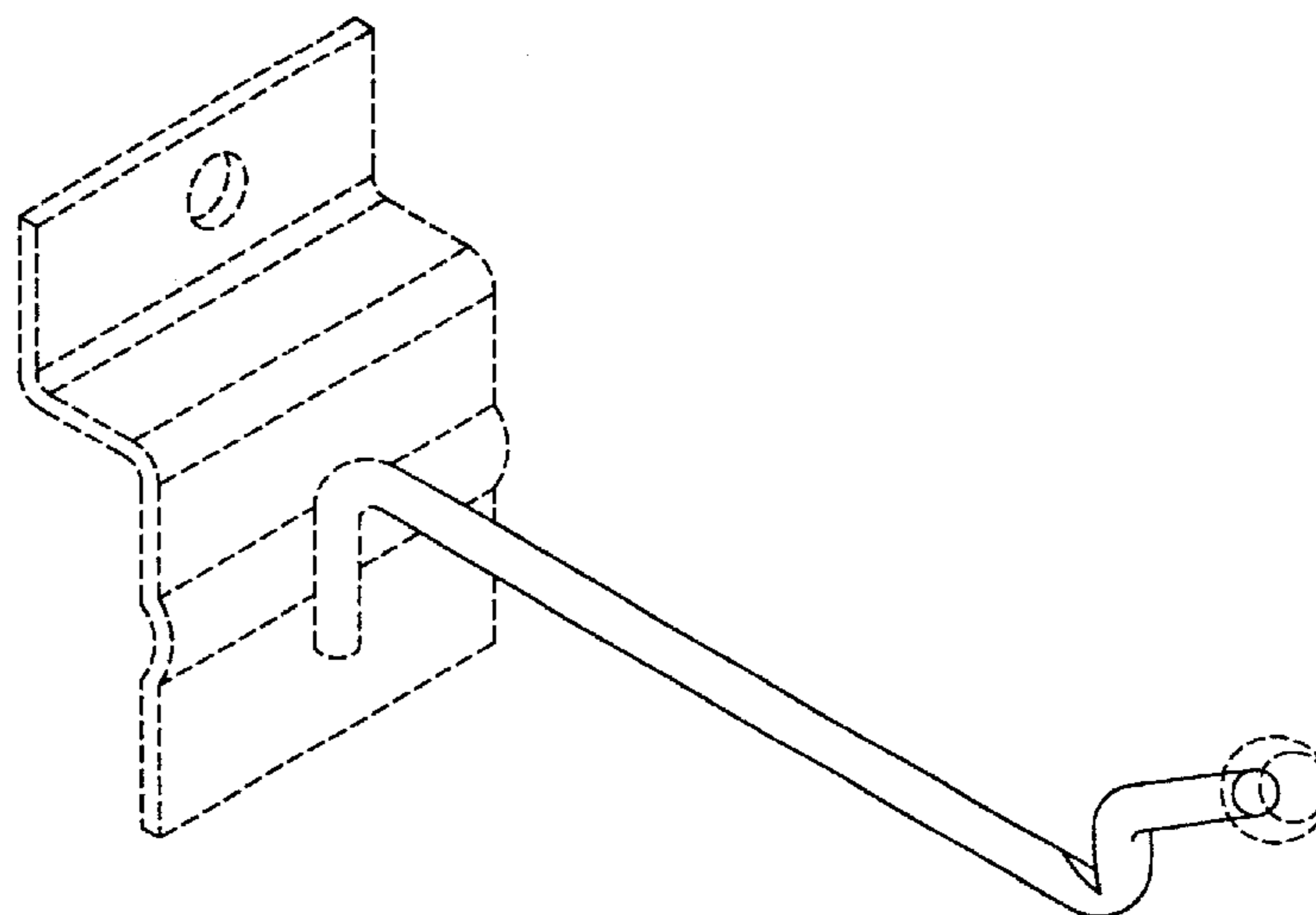
(57) **CLAIM**

The ornamental design for the retainer tip hook, as shown and described.

**DESCRIPTION**

FIG. 1 is a front perspective view of a retainer tip hook showing my new design, attached to a back plate;  
FIG. 2 is a front perspective view of the retainer tip hook shown in FIG. 1;  
FIG. 3 is a left elevational view thereof, the right elevational view being a mirror image thereof;  
FIG. 4 is a top plan view thereof;  
FIG. 5 is a bottom plan view thereof.  
FIG. 6 is a rear elevational view thereof; and,  
FIG. 7 is a front elevational view thereof.  
The broken lines immediately adjacent the full line portion of the hook represent the bounds of the claim and all other broken lines are for illustrative purposes only. None of the broken lines form a part of the claimed design.

**1 Claim, 2 Drawing Sheets**



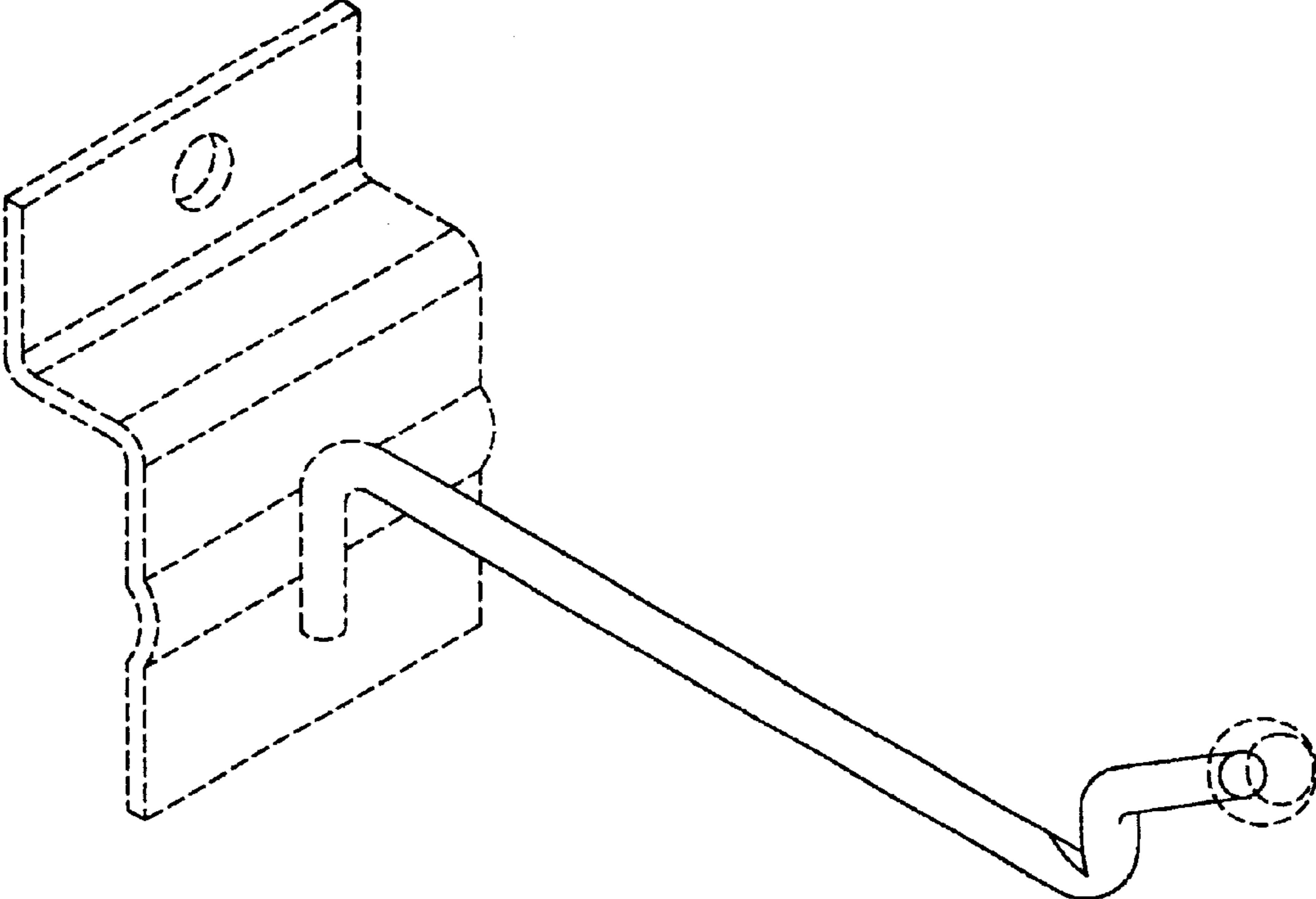


FIG. 1

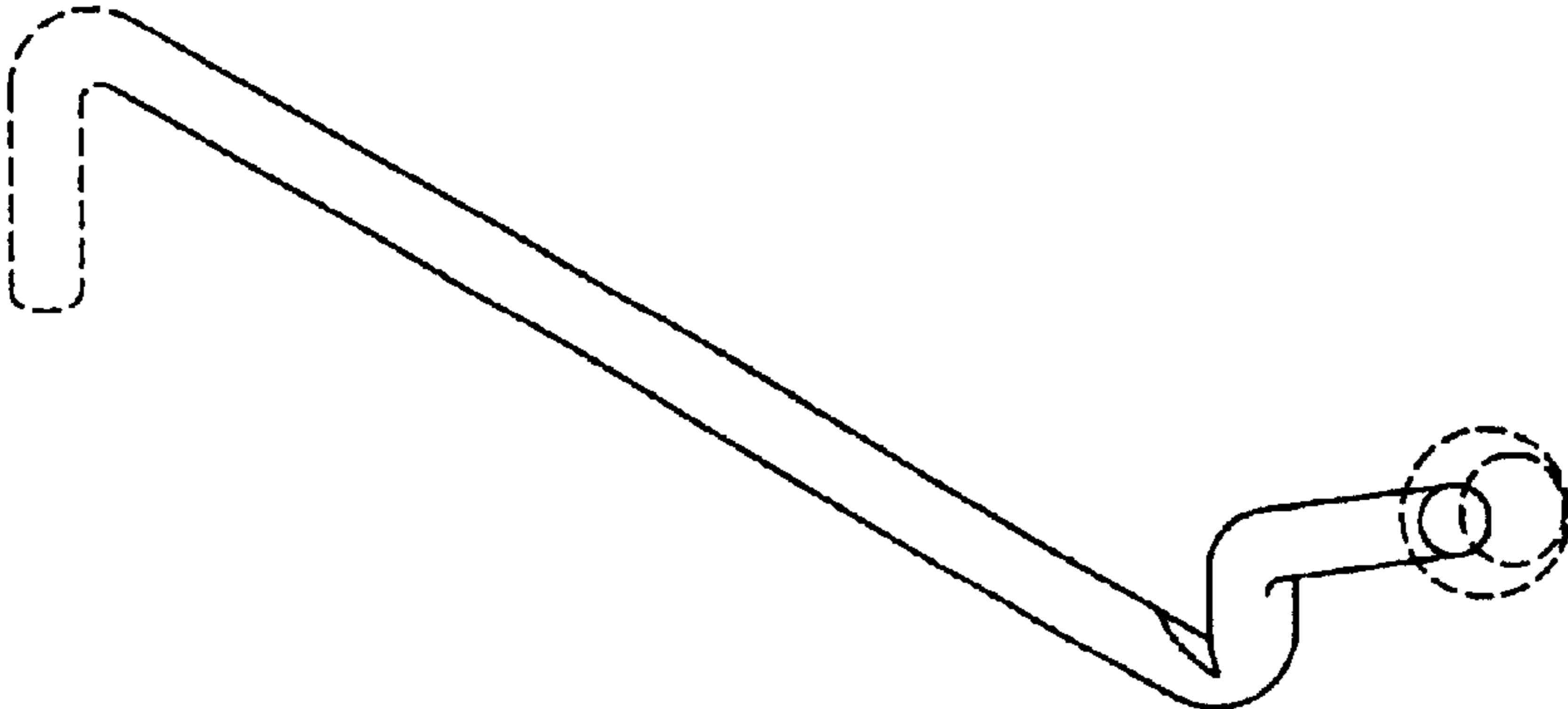


FIG. 2

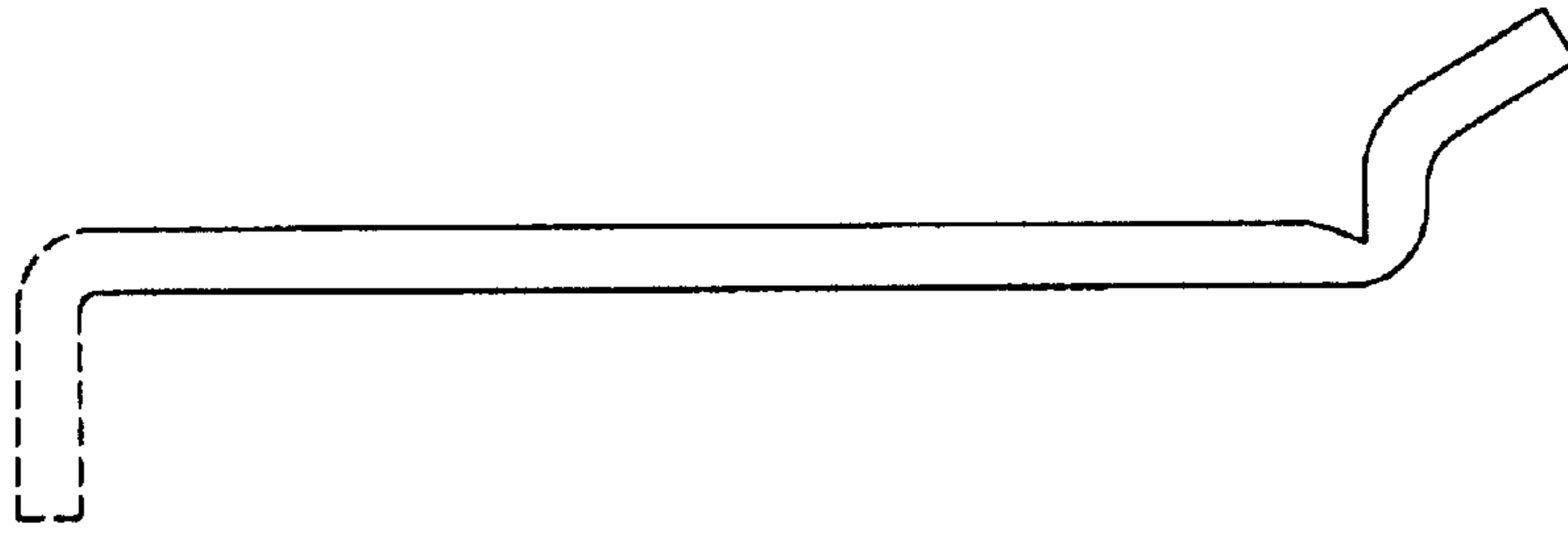


FIG. 3

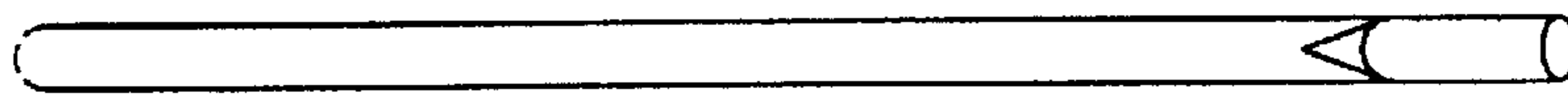


FIG. 4

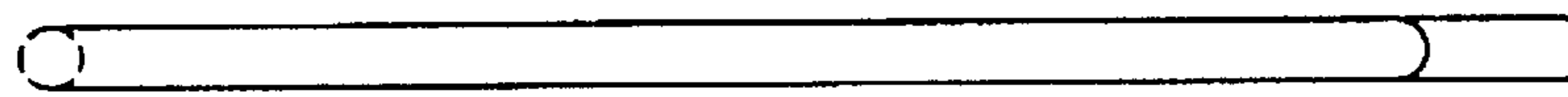


FIG. 5



FIG. 6



FIG. 7