



US00D536239S

(12) **United States Design Patent**
Tallman

(10) **Patent No.:** **US D536,239 S**

(45) **Date of Patent:** **** Feb. 6, 2007**

(54) **SLOTWALL BRACKET BODY**

D455,641 S * 4/2002 Trifilio D8/354
D527,986 S * 9/2006 Johnson D8/354

(75) Inventor: **Randall E. Tallman**, Zeeland, MI (US)

* cited by examiner

(73) Assignee: **Windquest Companies, Inc.**, Holland, MI (US)

Primary Examiner—Holly H. Baynham
(74) *Attorney, Agent, or Firm*—Warner Norcross & Judd LLP

(**) Term: **14 Years**

(57) **CLAIM**

(21) Appl. No.: **29/230,572**

The ornamental design for a slotwall bracket body, as shown and described.

(22) Filed: **May 24, 2005**

(51) **LOC (8) Cl.** **08-05**

(52) **U.S. Cl.** **D8/354**

(58) **Field of Classification Search** D8/354,
D8/349, 380, 363; 248/300, 220.11, 220.43,
248/222.11, 227.1

See application file for complete search history.

DESCRIPTION

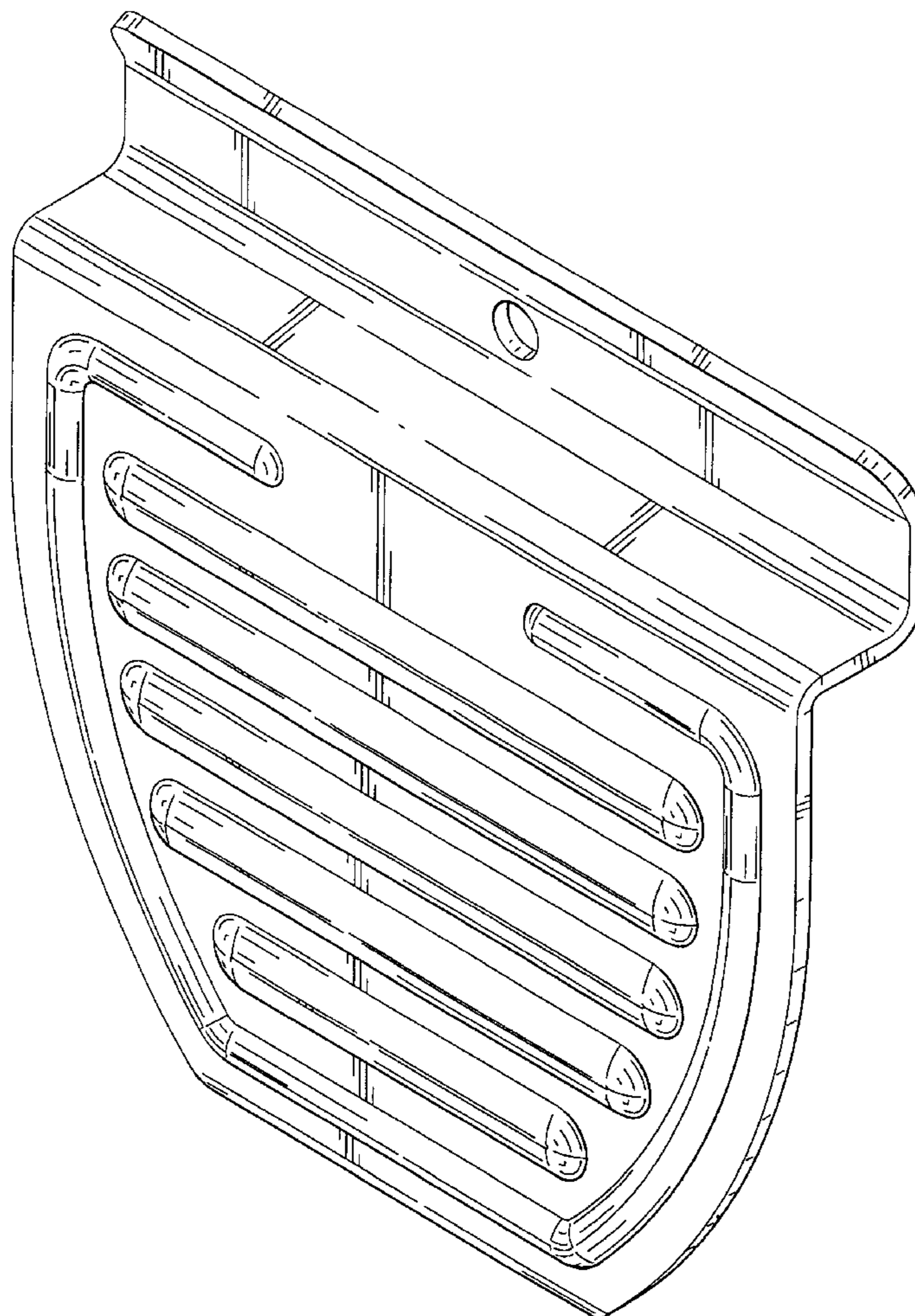
FIG. 1 is a perspective view of the slotwall bracket body embodying the new design;
FIG. 2 is a front elevational view thereof;
FIG. 3 is a left side elevational view, the right side being a mirror image thereof;
FIG. 4 is a rear elevational view thereof;
FIG. 5 is a top plan view thereof; and,
FIG. 6 is a bottom plan view thereof.

(56) **References Cited**

U.S. PATENT DOCUMENTS

D360,571 S * 7/1995 Perry D8/354

1 Claim, 5 Drawing Sheets



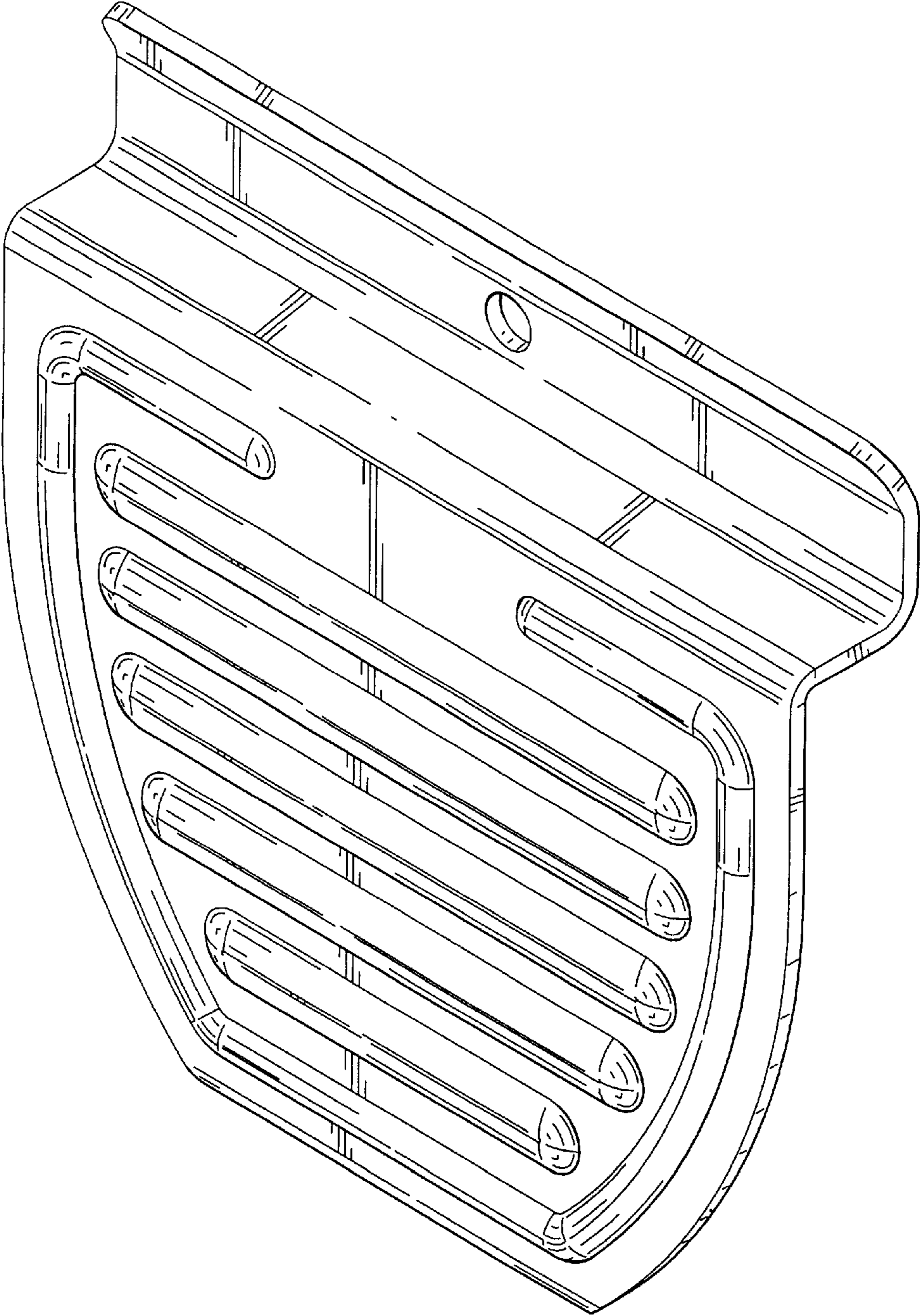


FIG. 1

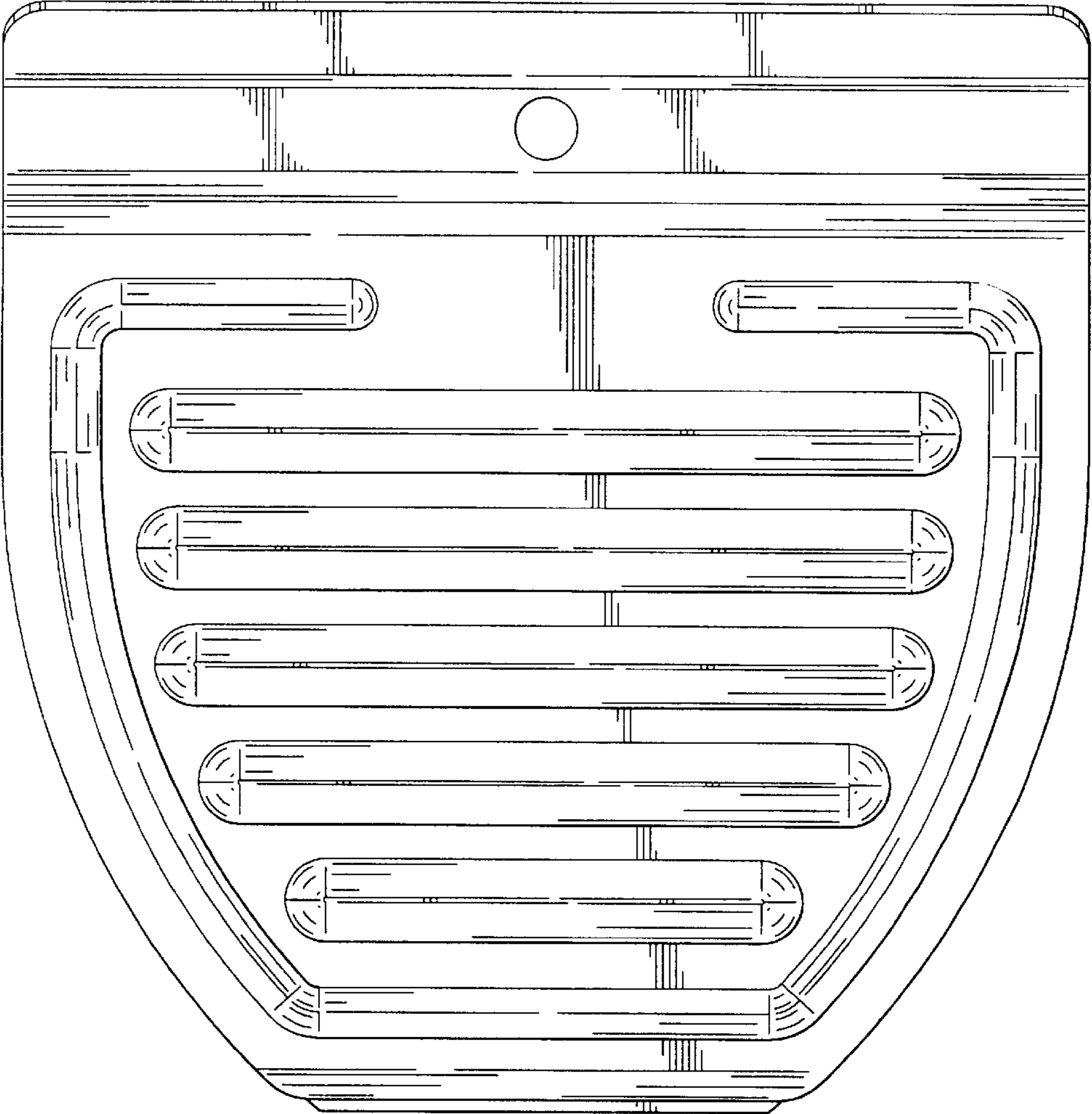


FIG. 2

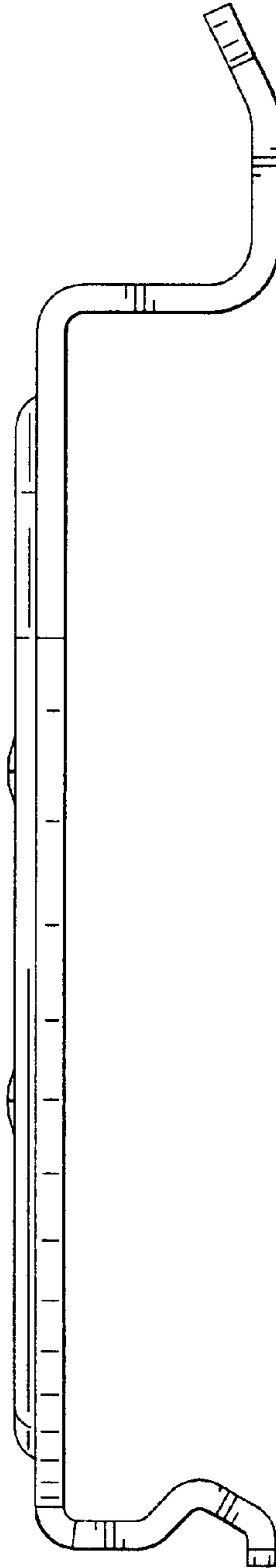


FIG. 3

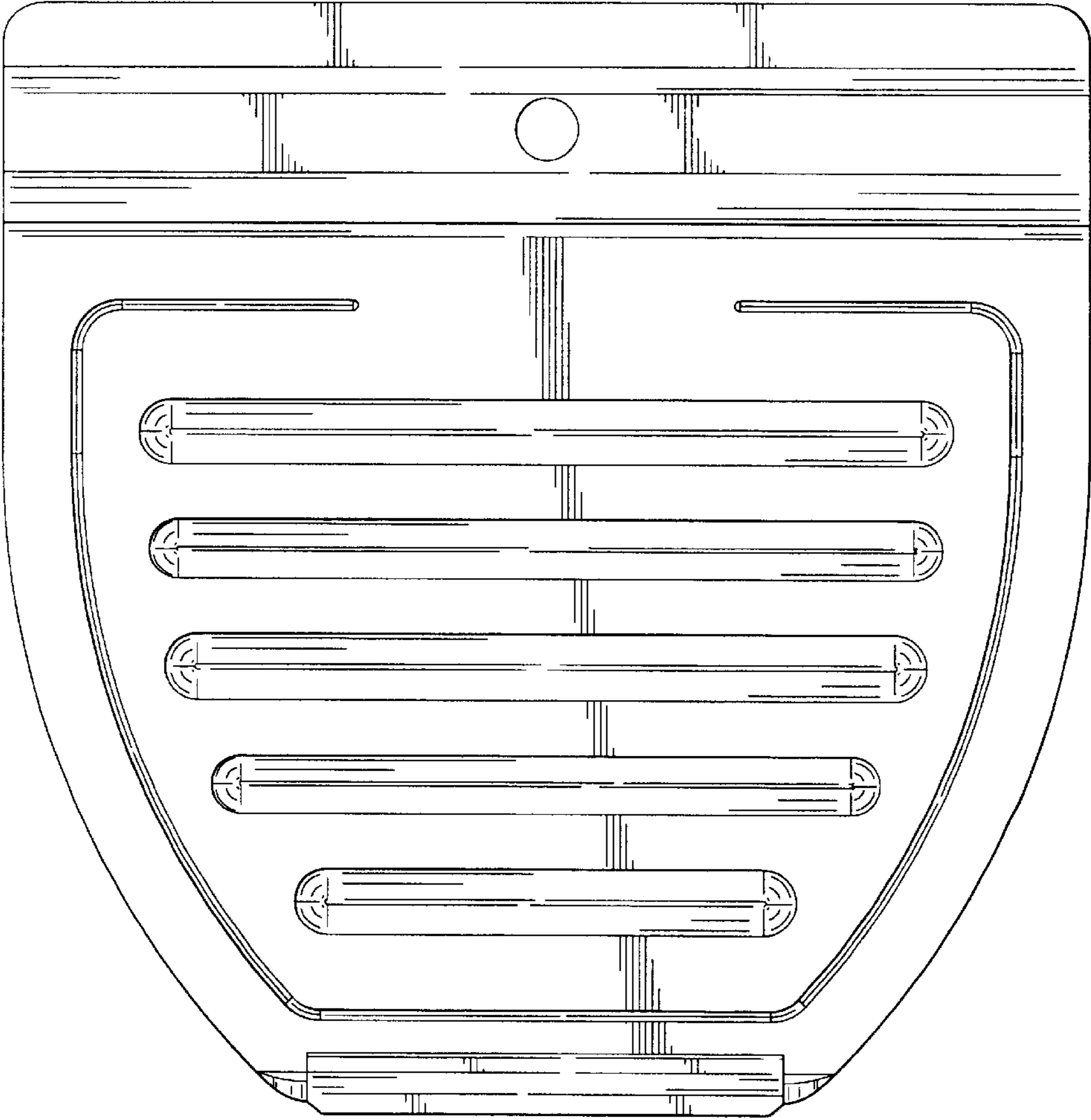


FIG. 4

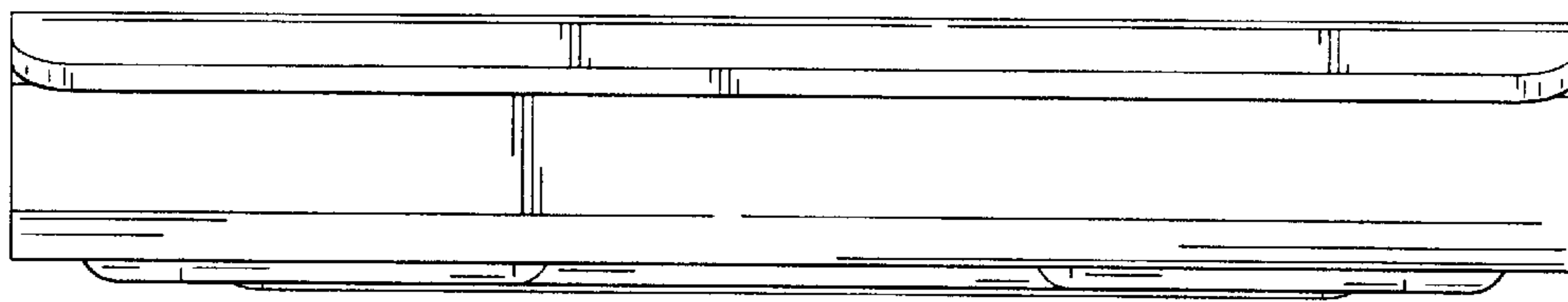


FIG. 5

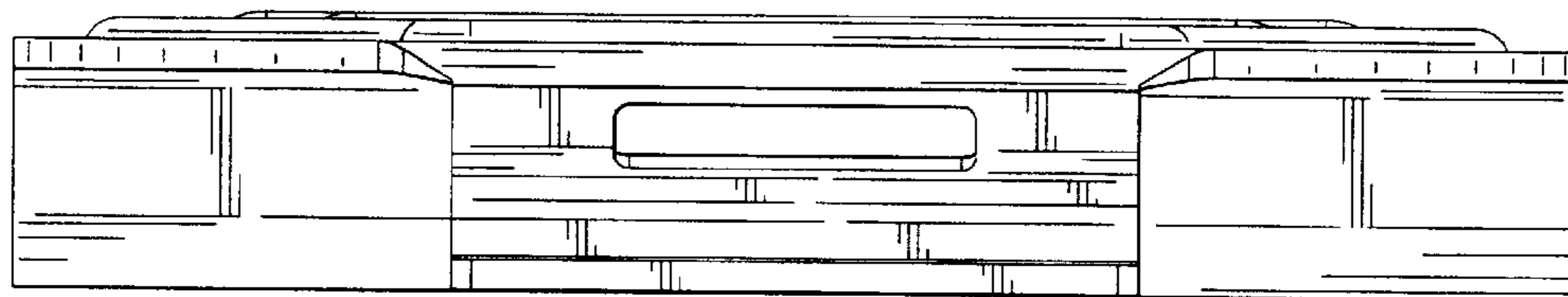


FIG. 6