



US00D536238S

(12) **United States Design Patent**
Conley et al.

(10) **Patent No.:** **US D536,238 S**
(45) **Date of Patent:** **** Feb. 6, 2007**

(54) **MOUNTING BRACKET FOR A FAN AND HARD DRIVES**

(75) Inventors: **William P. Conley**, Thousand Oaks, CA (US); **Rodger Thomason**, Santa Monica, CA (US)

(73) Assignee: **Slimvac, Inc.**, Culver City, CA (US)

(**) Term: **14 Years**

(21) Appl. No.: **29/211,530**

(22) Filed: **Aug. 18, 2004**

(51) **LOC (8) Cl.** **08-05**

(52) **U.S. Cl.** **D8/354**

(58) **Field of Classification Search** D8/349, D8/354, 363, 373; 248/27.1, 300, 200; 361/685
See application file for complete search history.

(56) **References Cited**

U.S. PATENT DOCUMENTS

4,732,356	A	*	3/1988	Medlin, Sr.	248/27.1
5,680,293	A	*	10/1997	McAnally et al.	361/685
5,995,364	A	*	11/1999	McAnally et al.	361/685
D436,837	S	*	1/2001	Beal et al.	D8/363
6,227,499	B1	*	5/2001	Jennison et al.	248/27.1
6,318,679	B1	*	11/2001	Yang et al.	248/27.1

6,439,523	B1	*	8/2002	Chandler et al.	248/300
6,766,992	B1	*	7/2004	Parker	248/300
6,791,829	B1	*	9/2004	Chen et al.	361/685
7,031,152	B1	*	4/2006	Tsai et al.	361/685

* cited by examiner

Primary Examiner—Holly H. Baynham

(74) *Attorney, Agent, or Firm*—Arnold & Porter LLP

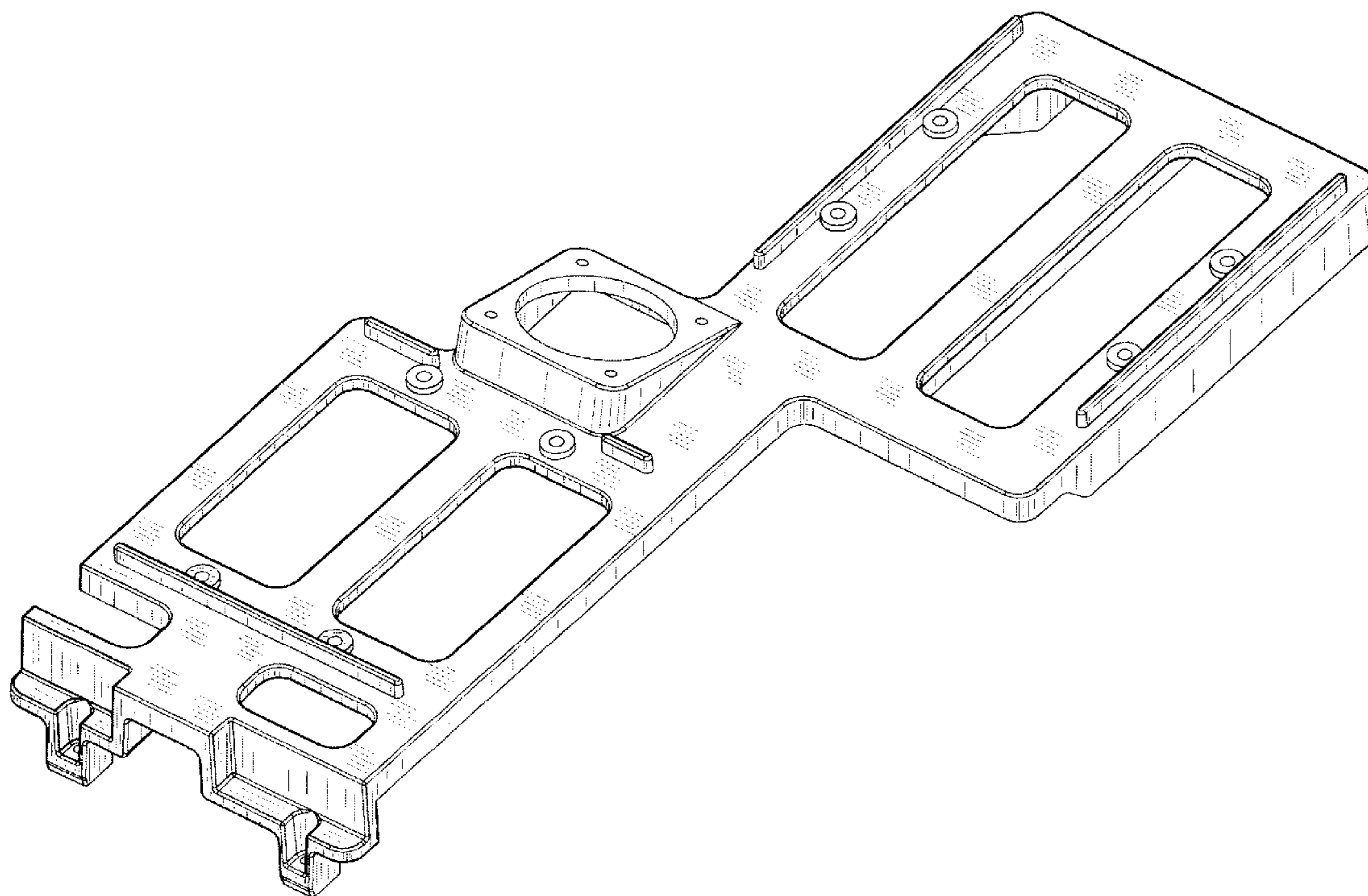
(57) **CLAIM**

The ornamental design for a mounting bracket for a fan and hard drives, as shown and described.

DESCRIPTION

FIG. 1 is a top view of a mounting bracket for a fan and hard drives showing our new design;
FIG. 2 is a top left perspective view thereof;
FIG. 3 is a top right perspective view thereof;
FIG. 4 is a top rear perspective view thereof;
FIG. 5 is a front view thereof;
FIG. 6 is a right side view thereof;
FIG. 7 is a left side view thereof;
FIG. 8 is a rear view thereof;
FIG. 9 is a bottom view thereof;
FIG. 10 is a bottom left perspective view thereof; and,
FIG. 11 is a bottom right perspective view thereof.

1 Claim, 10 Drawing Sheets



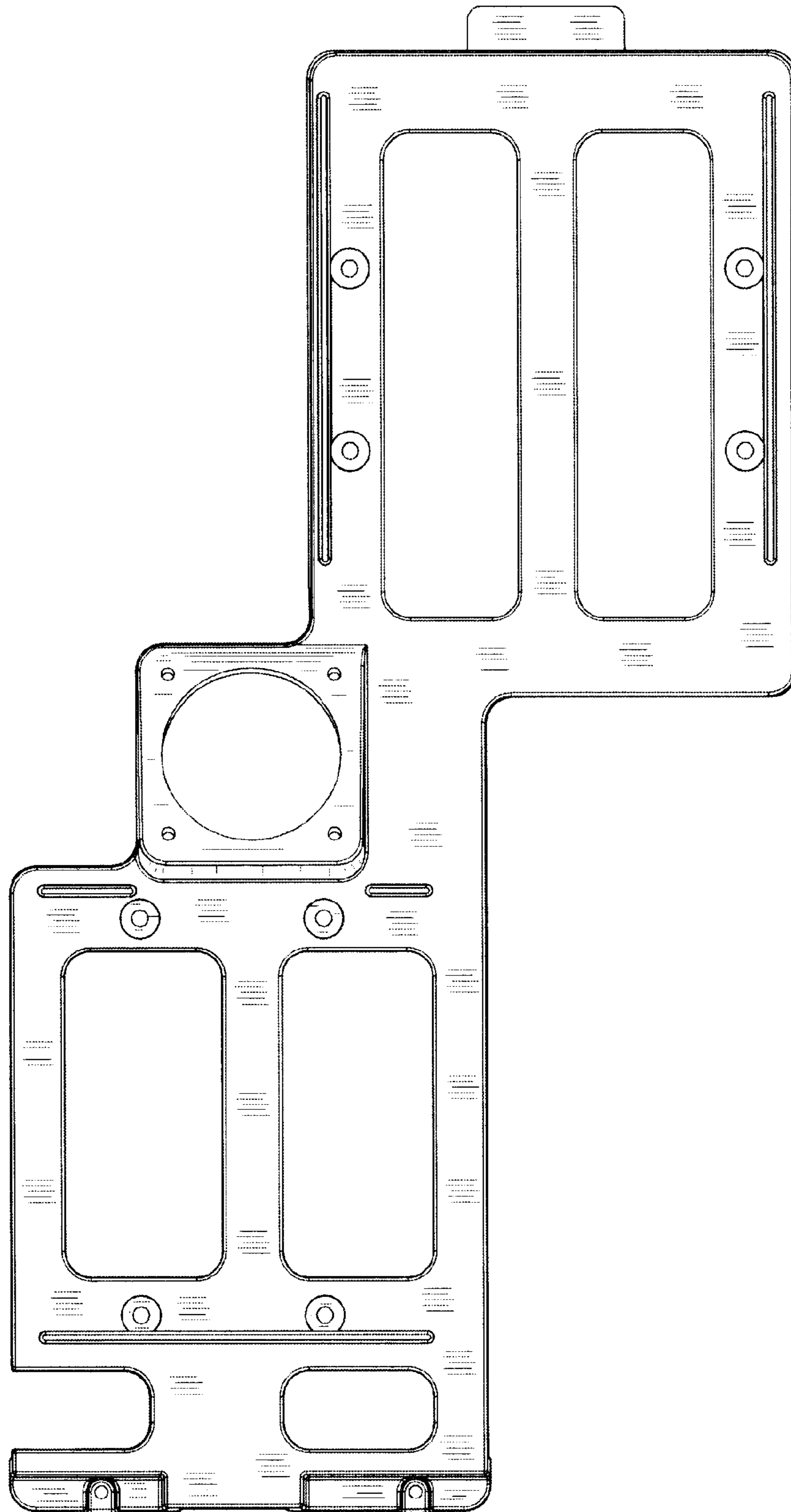


FIG. 1

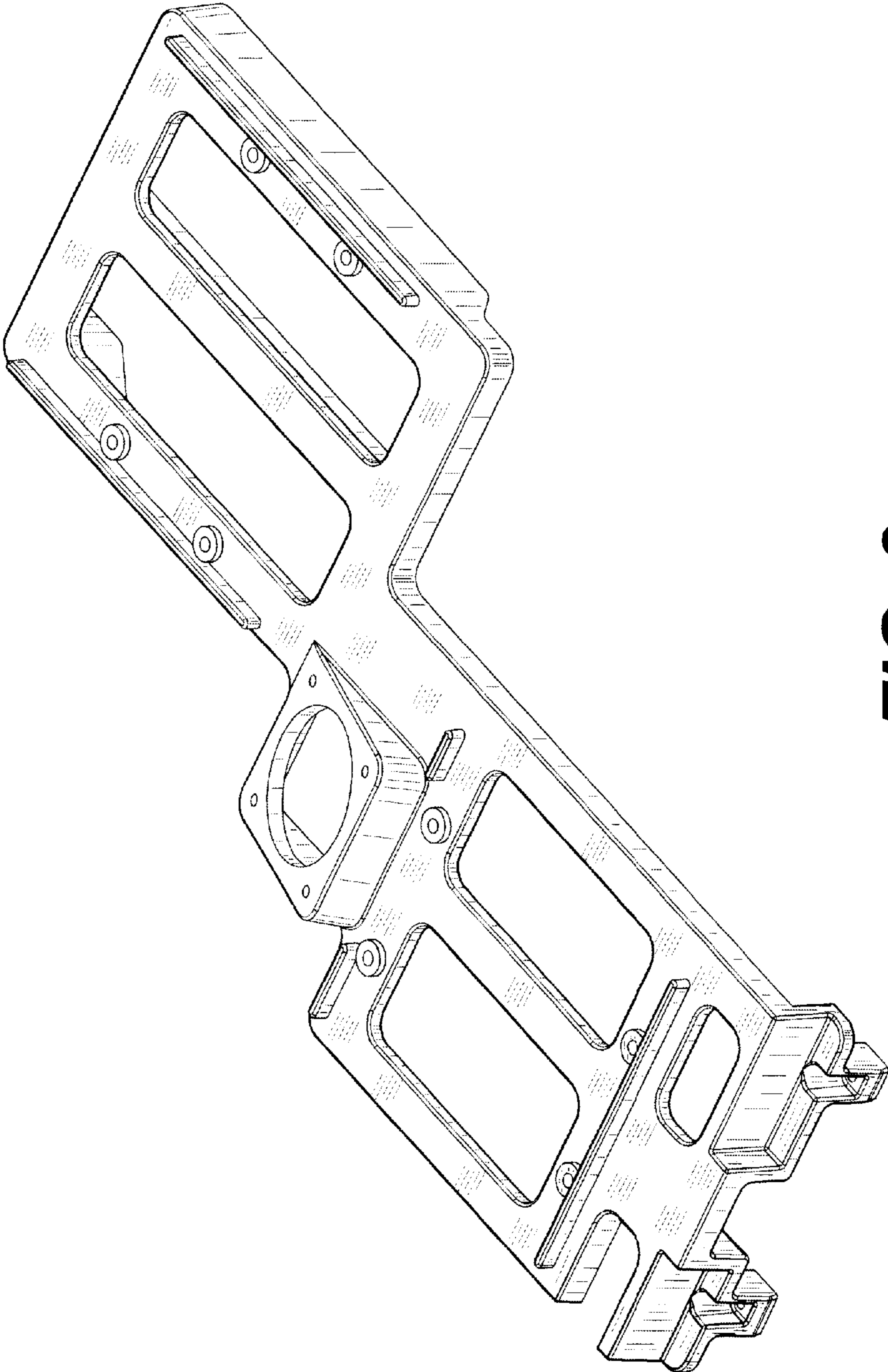


FIG. 2

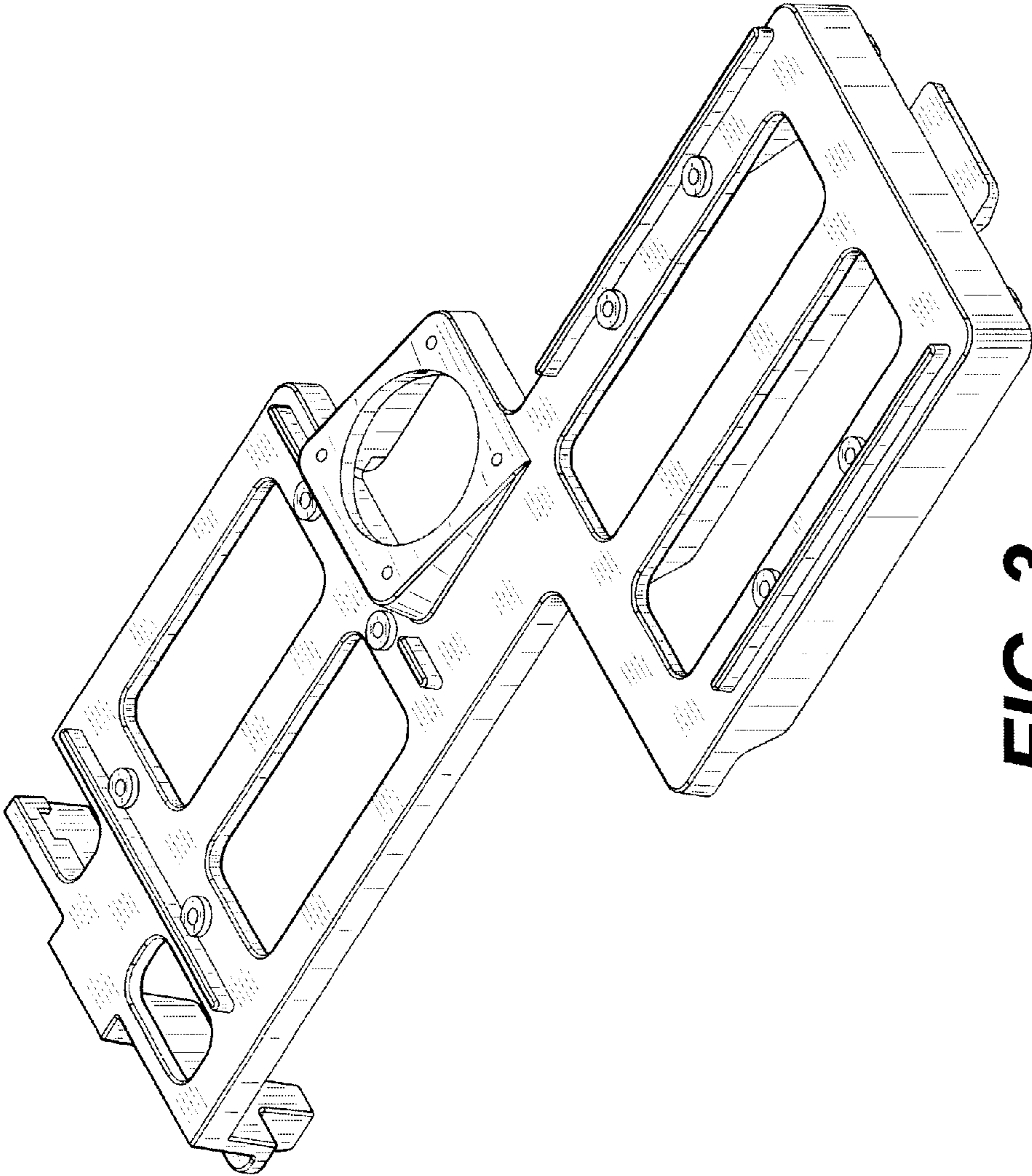


FIG. 3

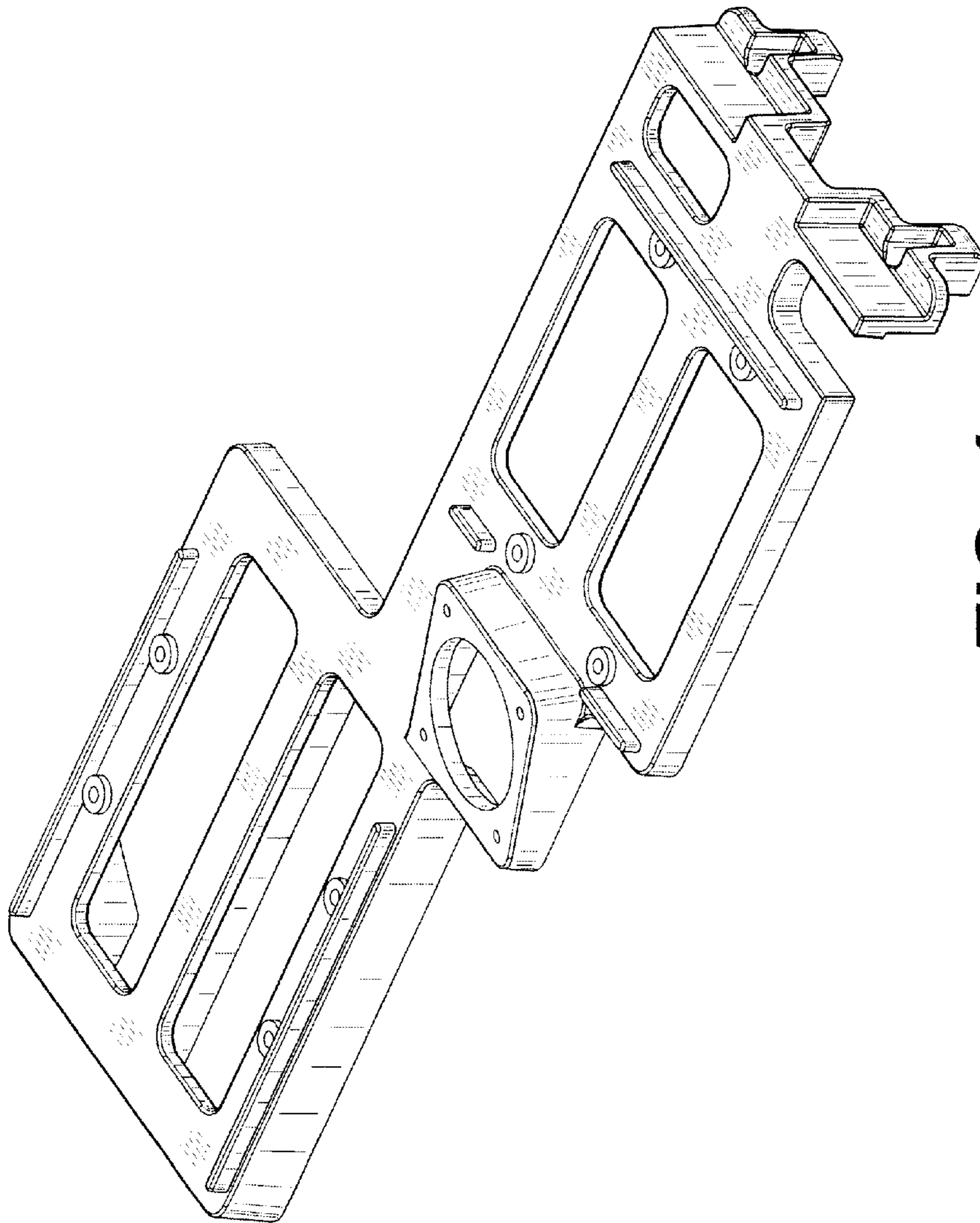


FIG. 4

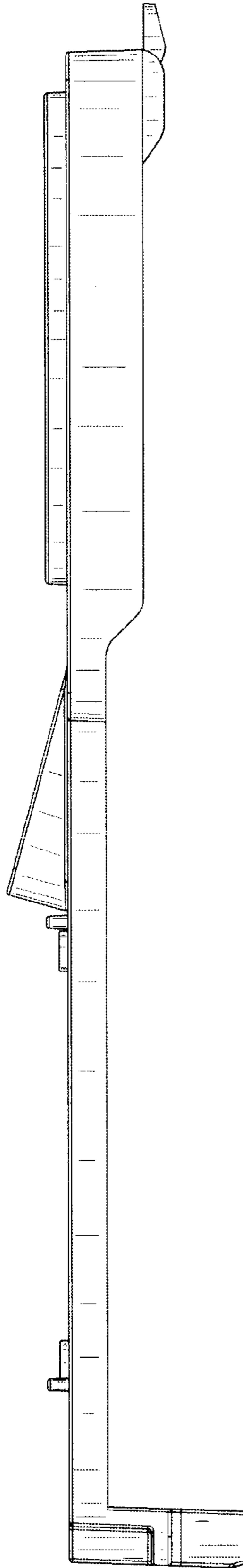


FIG. 5

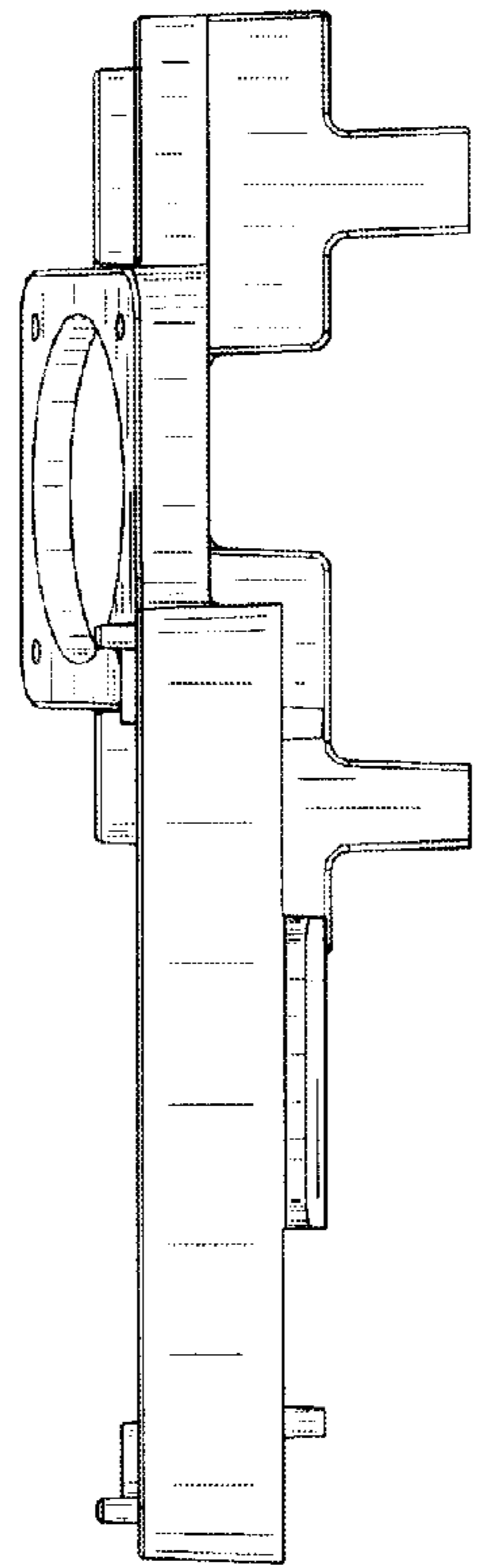


FIG. 6

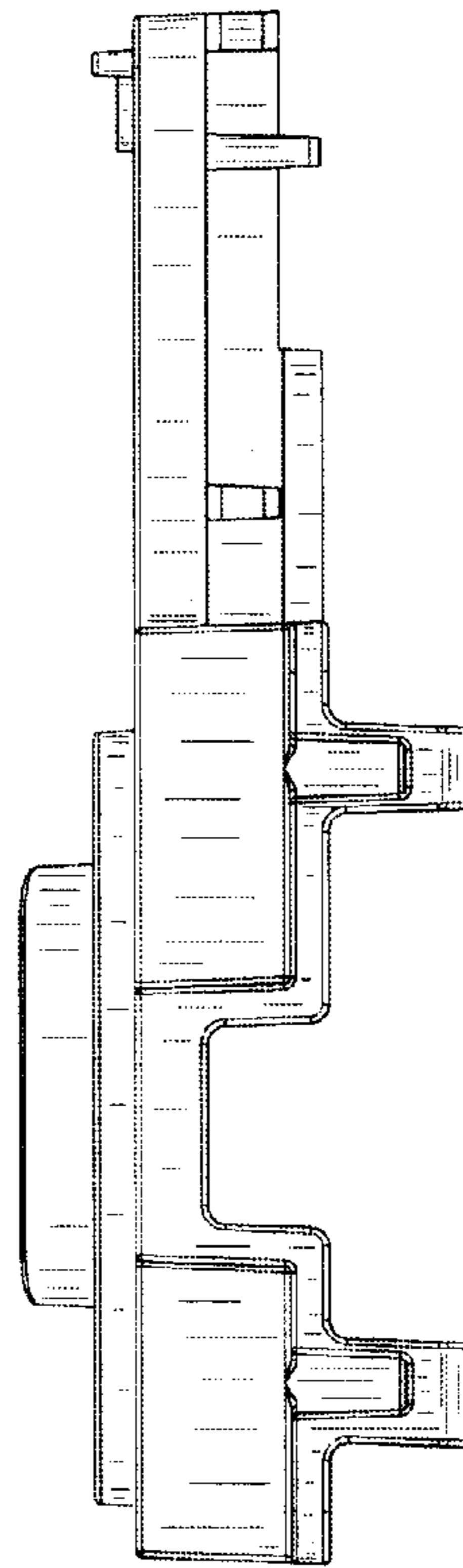


FIG. 7

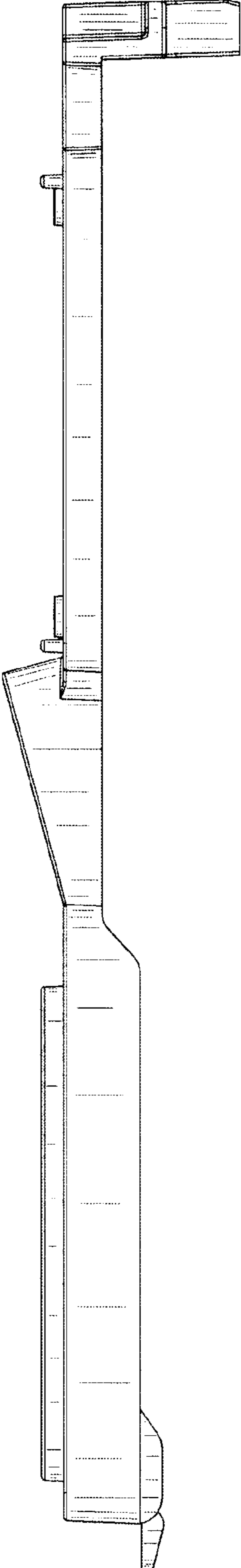


FIG. 8

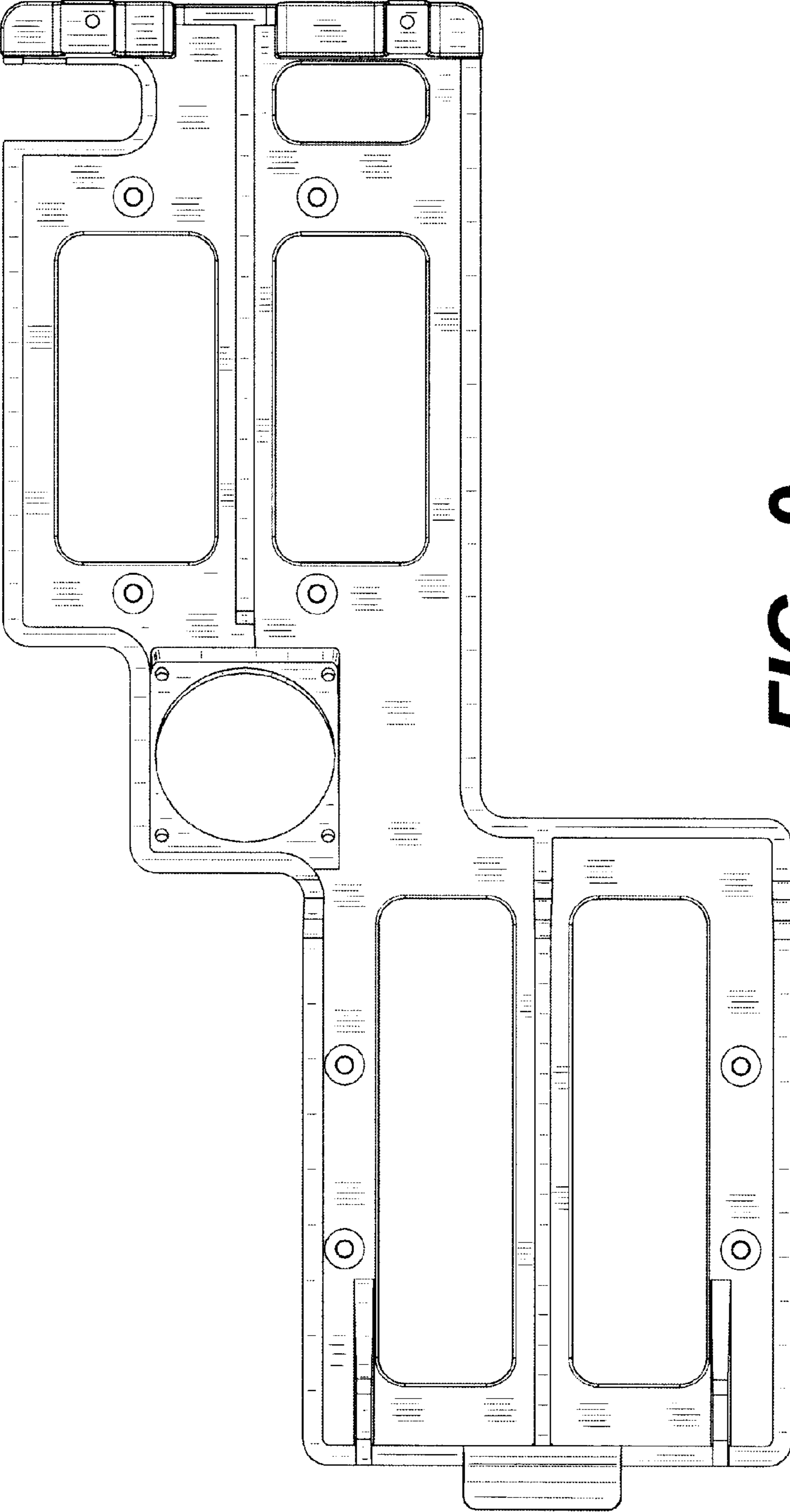


FIG. 9

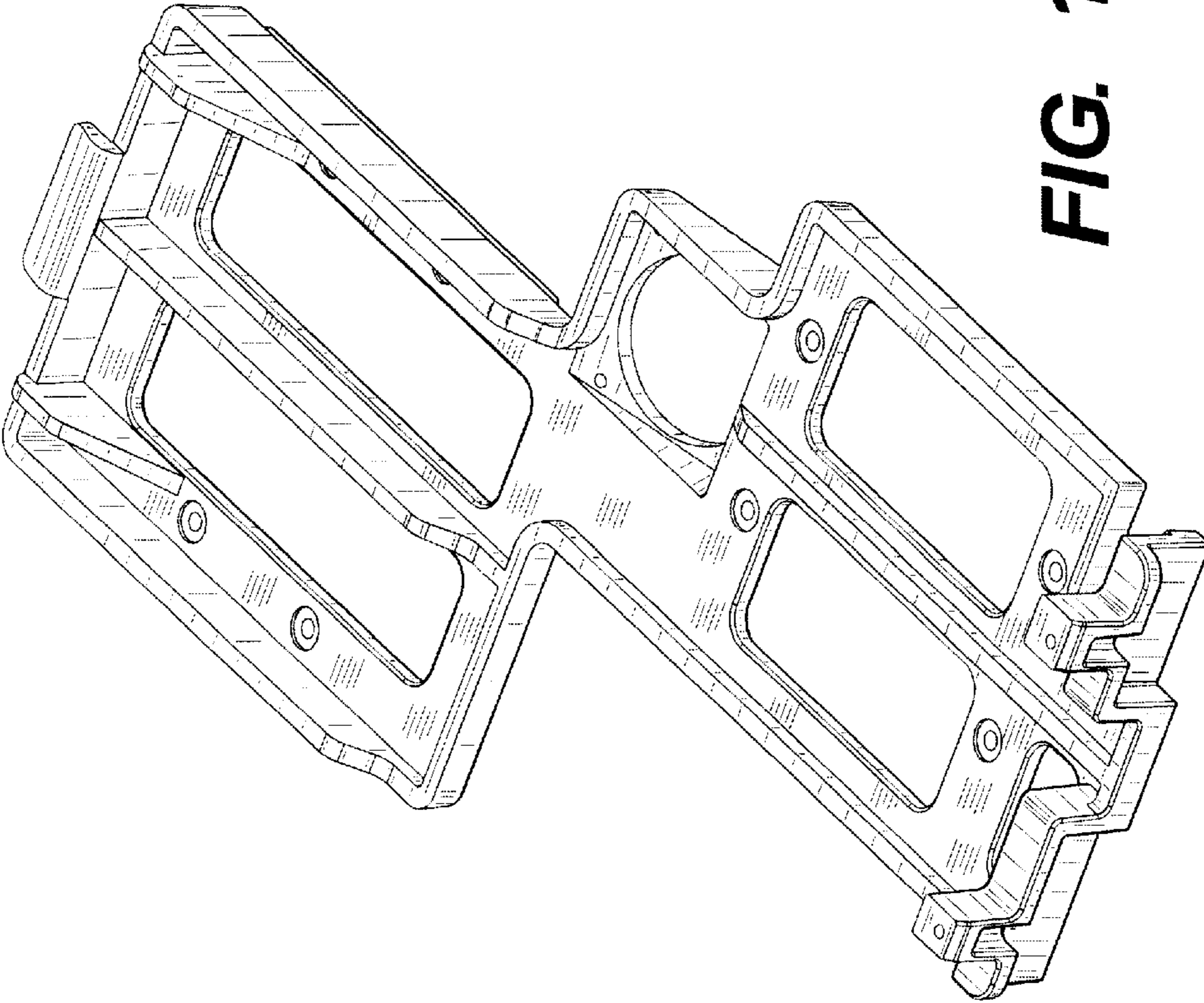


FIG. 10

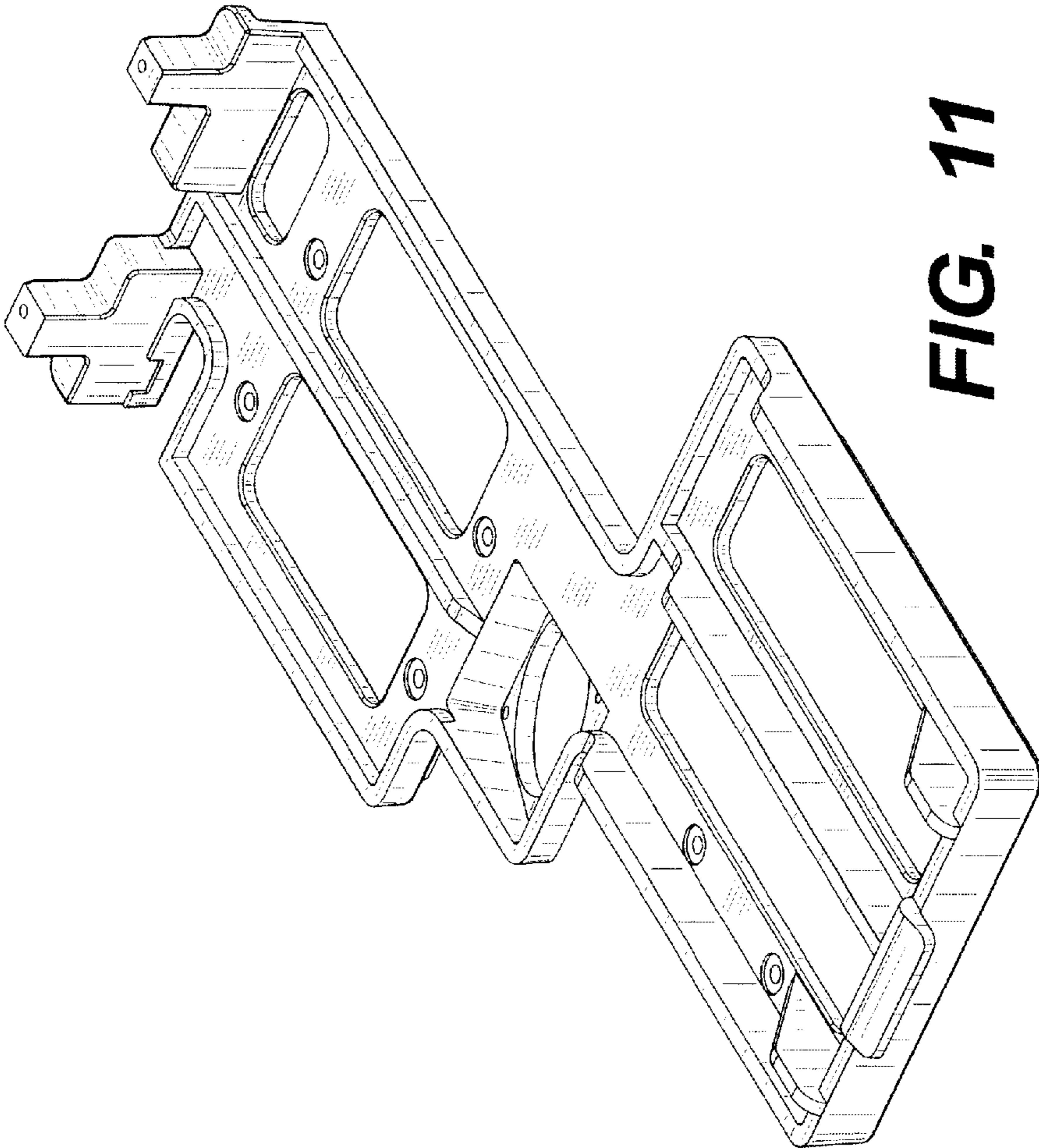


FIG. 11