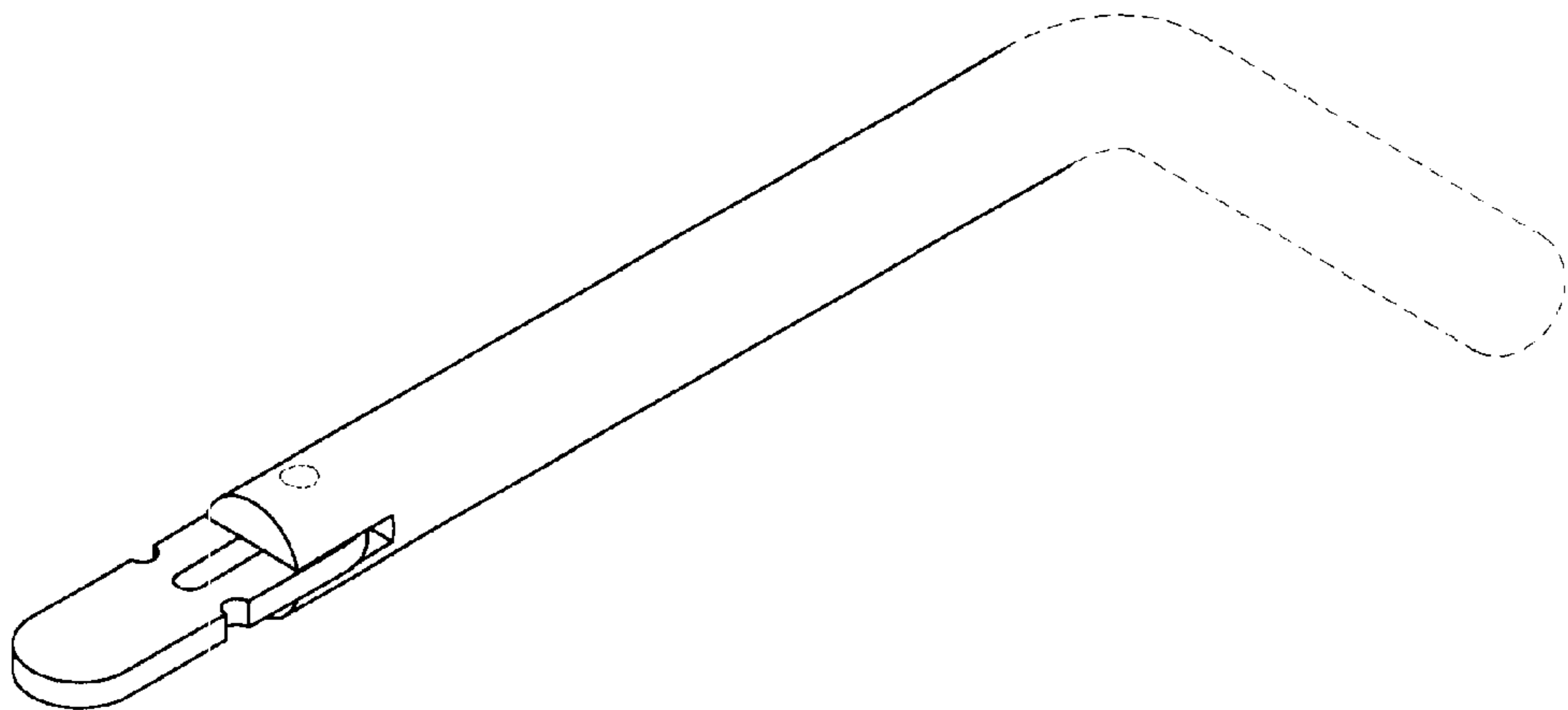




US00D536236S

(12) **United States Design Patent** (10) **Patent No.:** **US D536,236 S**
Recknagel et al. (45) **Date of Patent:** **** Feb. 6, 2007**

- (54) **RECEIVER PIN** 2,677,261 A 5/1954 Jacobi
 3,176,007 A 3/1965 Tuschhoff
 3,197,239 A 7/1965 Jezek, Jr.
 3,279,302 A * 10/1966 Modrey 411/350
 3,453,846 A 7/1969 Owen et al.
 3,559,429 A 2/1971 Hermann
 3,652,114 A 3/1972 Cady et al.
 3,673,910 A 7/1972 Collister
 3,721,112 A 3/1973 Wellekens
 3,783,657 A 1/1974 Foote
 3,843,160 A 10/1974 Frushour et al.
 3,861,267 A 1/1975 Collister
 3,902,339 A 9/1975 Carley et al.
 3,908,415 A 9/1975 Foote
 3,911,761 A 10/1975 Cornellier
 3,963,264 A 6/1976 Down
 3,999,414 A 12/1976 Leitner
 4,141,232 A 2/1979 Kelly
 4,198,026 A 4/1980 Capolupo
 D255,772 S 7/1980 Johnson et al.
 4,226,100 A 10/1980 Hampton et al.
 4,236,395 A 12/1980 Avaiusini
 4,277,961 A 7/1981 Williams
 4,298,212 A 11/1981 Jamison
 4,438,642 A 3/1984 De Jong
 4,440,005 A 4/1984 Bulle
 4,576,021 A 3/1986 Holden
 D283,199 S 4/1986 Ostergren
 4,619,122 A 10/1986 Simpson
 4,637,234 A 1/1987 Mielonen
 4,711,106 A 12/1987 Johnson
 4,730,468 A 3/1988 Becker
 4,732,019 A 3/1988 Tolar
 4,844,498 A 7/1989 Kerins et al.
 4,888,967 A 12/1989 Kuo
 4,964,285 A 10/1990 Lakoski et al.
 5,004,133 A 4/1991 Wyers
 5,022,243 A 6/1991 Embry et al.
 5,027,630 A 7/1991 Stillwagon et al.
 5,050,413 A 9/1991 Stillwagon et al.
 5,063,763 A 11/1991 Johnson
 5,152,160 A 10/1992 Lentini
 5,197,314 A 3/1993 Stillwagon et al.
 5,215,418 A * 6/1993 Trainer et al. 411/345
 5,216,903 A 6/1993 Chen
 5,269,161 A 12/1993 Stillwagon
 5,272,894 A 12/1993 Stillwagon et al.
 5,284,038 A 2/1994 Johnson
 5,437,515 A 8/1995 Kuramoto
- (75) Inventors: **Jim Recknagel**, Delafield, WI (US);
Ken Burmesch, Port Washington, WI (US);
Chris Irgens, Elm Grove, WI (US);
Rolf Hohmann, Menomonee Falls, WI (US);
Mark Van Handel, Madison, WI (US);
Gary Burmesch, Port Washington, WI (US);
Victor Yip, Hong Kong (HK);
Kerry Jacques, Wind Lake, WI (US);
John Zapushek, Racine, WI (US)
- (73) Assignee: **Master Lock Company**, Oak Creek, WI (US)
- (**) Term: **14 Years**
- (21) Appl. No.: **29/251,787**
- (22) Filed: **Jan. 12, 2006**
- Related U.S. Application Data**
- (62) Division of application No. 29/193,055, filed on Nov. 3, 2003.
- (51) **LOC (8) Cl.** **08-07**
- (52) **U.S. Cl.** **D8/339; D8/341; D8/331**
- (58) **Field of Classification Search** **D8/330, D8/331, 339, 341, 343, 347, 338; 70/14, 70/26, 39, 33, 34, 51, 52, 58, 91, 181, 208, 70/232, 431, 378, 372, DIG. 23, DIG. 25; 292/86, 42, 119, 156; 403/321, 324, 322.3, 403/322.4; 411/337, 350, 340-345**
 See application file for complete search history.
- (56) **References Cited**
- U.S. PATENT DOCUMENTS**
- 325,221 A 8/1885 Wright
 775,200 A * 11/1904 Webber 411/345
 1,505,241 A * 8/1924 Berry 411/345
 1,566,473 A 12/1925 Gibson
 1,963,514 A * 6/1934 Wherren 249/42
 2,541,638 A 2/1951 Clevett



5,447,045	A	9/1995	Cheng	
5,467,619	A	11/1995	Stillwagon et al.	
5,507,611	A	4/1996	Collister	
5,540,065	A	7/1996	Wyers	
5,664,445	A	9/1997	Chang	
5,676,258	A	10/1997	Leyden et al.	
5,682,775	A	11/1997	Baber	
5,794,465	A	8/1998	Hill	
5,803,688	A	* 9/1998	Gleason et al.	411/344
6,055,832	A	5/2000	Wyers	
D428,795	S	8/2000	Wyers	
6,145,866	A	11/2000	Peter	
D439,827	S	4/2001	Wyers	
D444,050	S	6/2001	Wyers	
D447,043	S	8/2001	Wyers	
6,409,283	B1	6/2002	Hsieh	
6,425,272	B1	7/2002	Chen	
D461,392	S	8/2002	Zapushek	
6,575,000	B1	6/2003	Li	
6,672,115	B2	1/2004	Wyers	
D501,131	S	1/2005	Oskamp et al.	
D511,292	S	11/2005	Hohmann et al.	

* cited by examiner

Primary Examiner—Prabhakar Deshmukh
 (74) *Attorney, Agent, or Firm*—Calfee, Halter, & Griswold
 LLP

(57) **CLAIM**

The ornamental design for a receiver pin, as shown and described.

DESCRIPTION

FIG. 1 is a perspective view of a receiver pin showing our new design;
 FIG. 2 is a top view of the design shown in FIG. 1;
 FIG. 3 is a side view of the design shown in FIG. 1;
 FIG. 4 is a bottom view of the design shown in FIG. 1;
 FIG. 5 is a back view of the design shown in FIG. 1;
 FIG. 6 is a side view of the design shown in FIG. 1;
 FIG. 7 is a front view of the design shown in FIG. 1;

FIG. 8 is a perspective view of the receiver pin, wherein the clip is in the locked position;
 FIG. 9 is a perspective view of a second embodiment of the receiver pin;
 FIG. 10 is a top view of the design shown in FIG. 9;
 FIG. 11 is a side view of the design shown in FIG. 9;
 FIG. 12 is a bottom view of the design shown in FIG. 9;
 FIG. 13 is a back view of the design shown in FIG. 9;
 FIG. 14 is a side view of the design shown in FIG. 9;
 FIG. 15 is a front view of the design shown in FIG. 9;
 FIG. 16 is a perspective view of the receiver pin, wherein the clip is in the locked position;
 FIG. 17 is a perspective view of a third embodiment of the receiver pin;
 FIG. 18 is a top view of the design shown in FIG. 17;
 FIG. 19 is a side view of the design shown in FIG. 17;
 FIG. 20 is a bottom view of the design shown in FIG. 17;
 FIG. 21 is a back view of the design shown in FIG. 17;
 FIG. 22 is a side view of the design shown in FIG. 17;
 FIG. 23 is a front view of the design shown in FIG. 17;
 FIG. 24 is a perspective view of the receiver pin, wherein the clip is in the locked position;
 FIG. 25 is a perspective view of a fourth embodiment of the receiver pin;
 FIG. 26 is a top view of the design shown in FIG. 25;
 FIG. 27 is a side view of the design shown in FIG. 25;
 FIG. 28 is a bottom view of the design shown in FIG. 25;
 FIG. 29 is a back view of the design shown in FIG. 25;
 FIG. 30 is a side view of the design shown in FIG. 25;
 FIG. 31 is a front view of the design shown in FIG. 25; and,
 FIG. 32 is a perspective view of the receiver pin, wherein the clip is in the locked position.

The broken lines, which define the bounds of the claimed design, form no part thereof. The broken line environmental showing is for illustrative purpose only and forms no part of the claimed design.

1 Claim, 12 Drawing Sheets

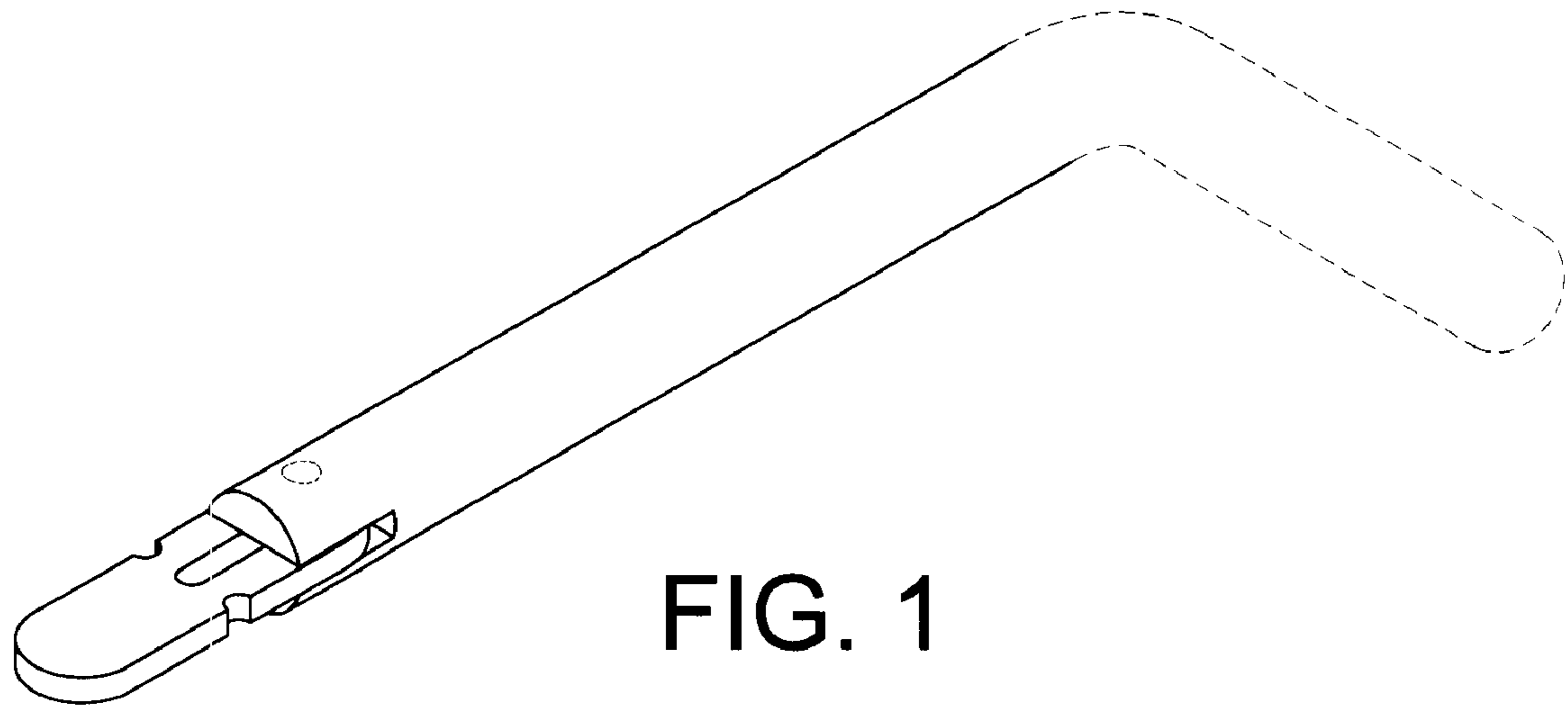


FIG. 1

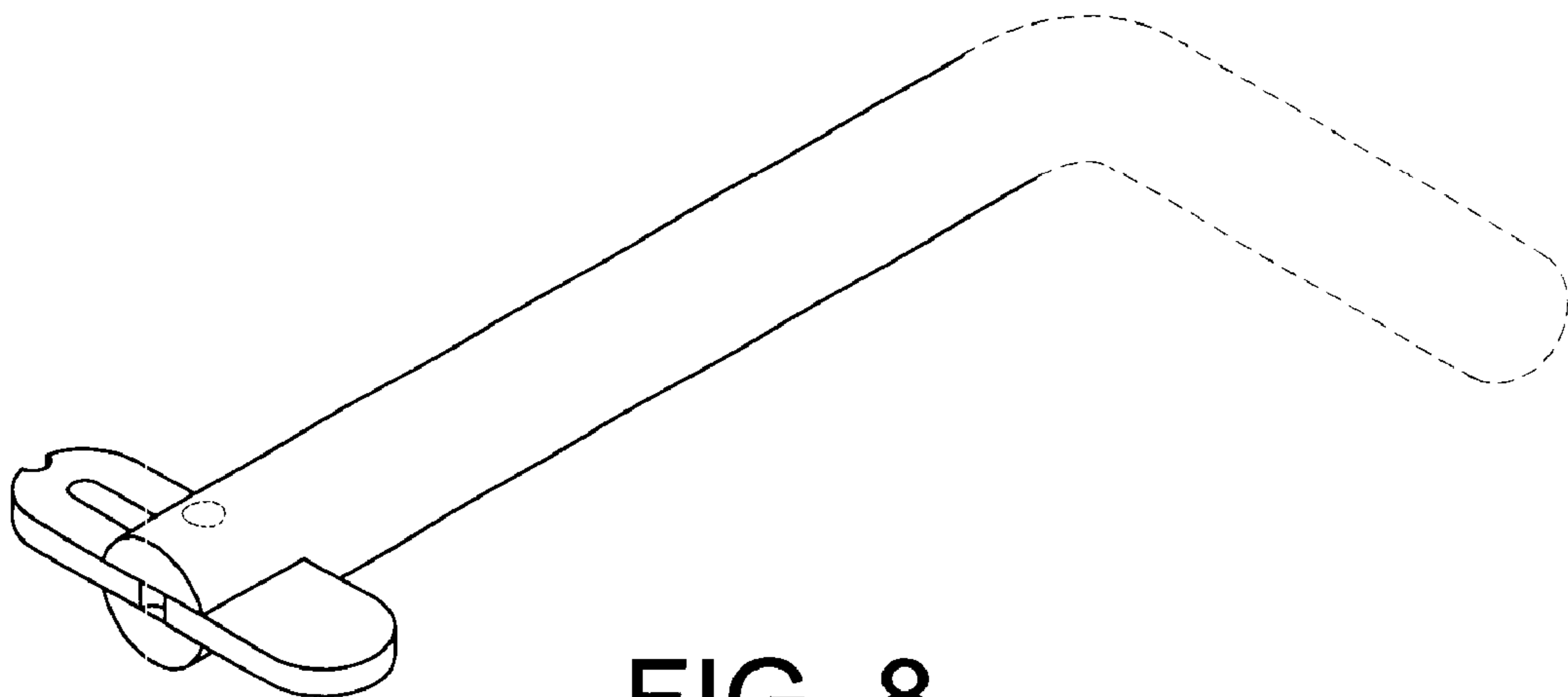


FIG. 8

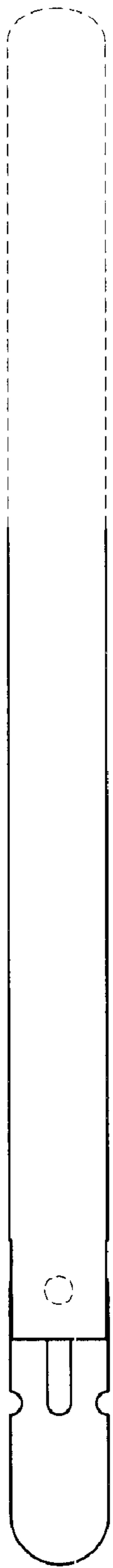


FIG. 2

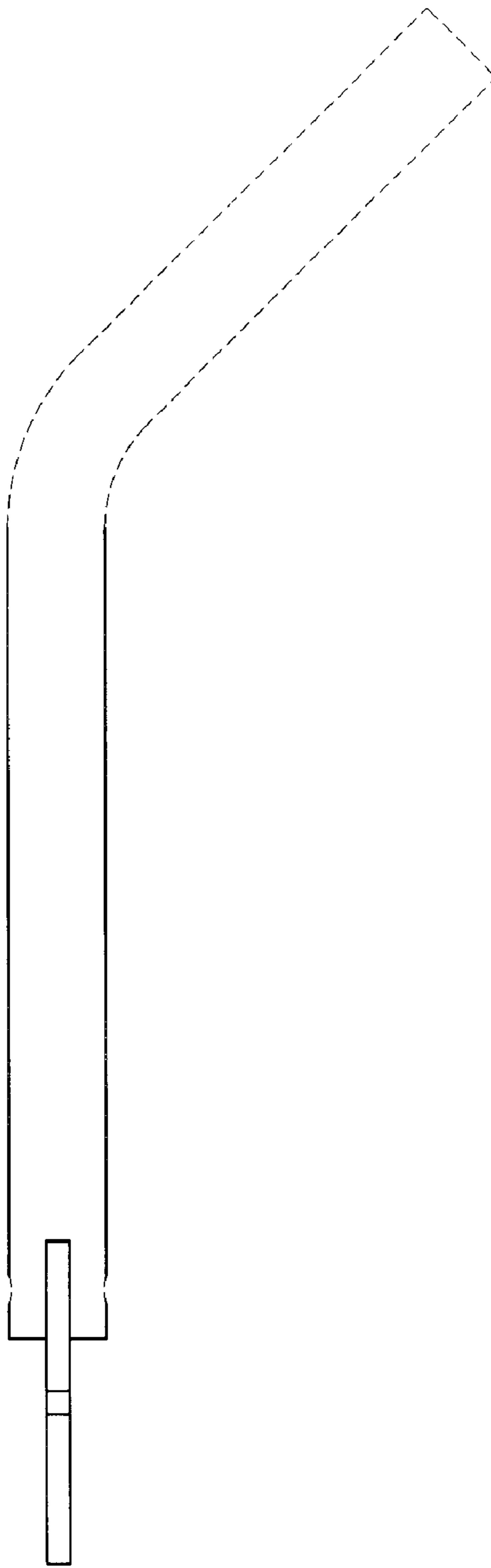


FIG. 3



FIG. 4

FIG. 5



FIG. 6

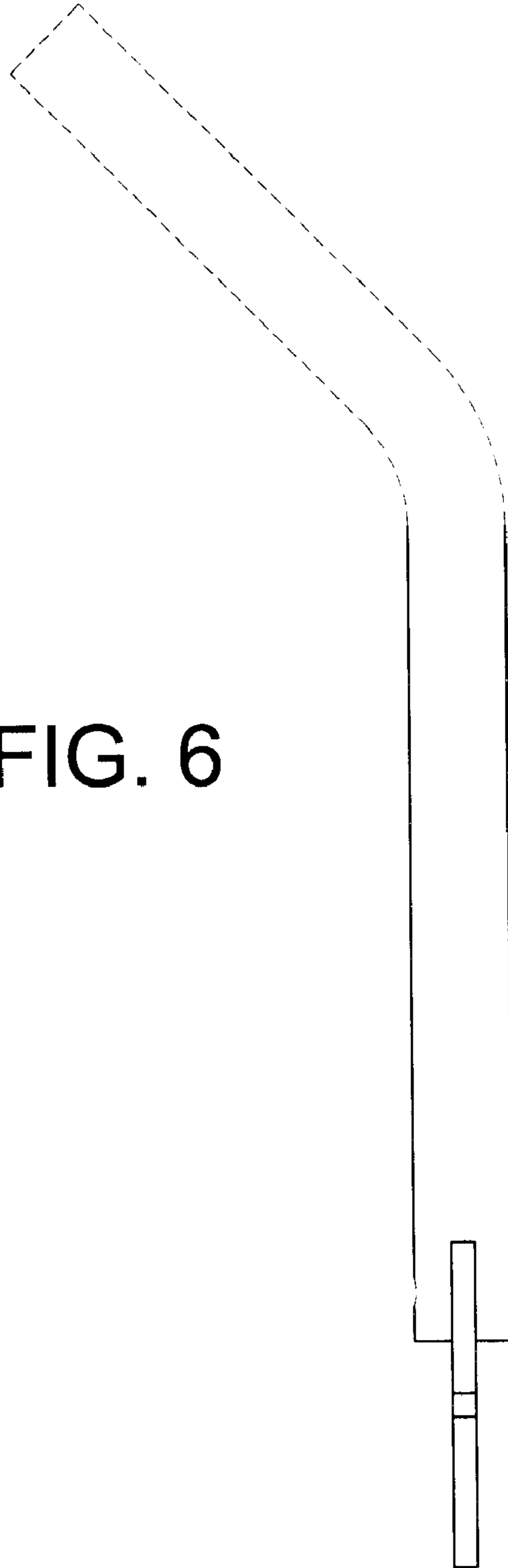


FIG. 7



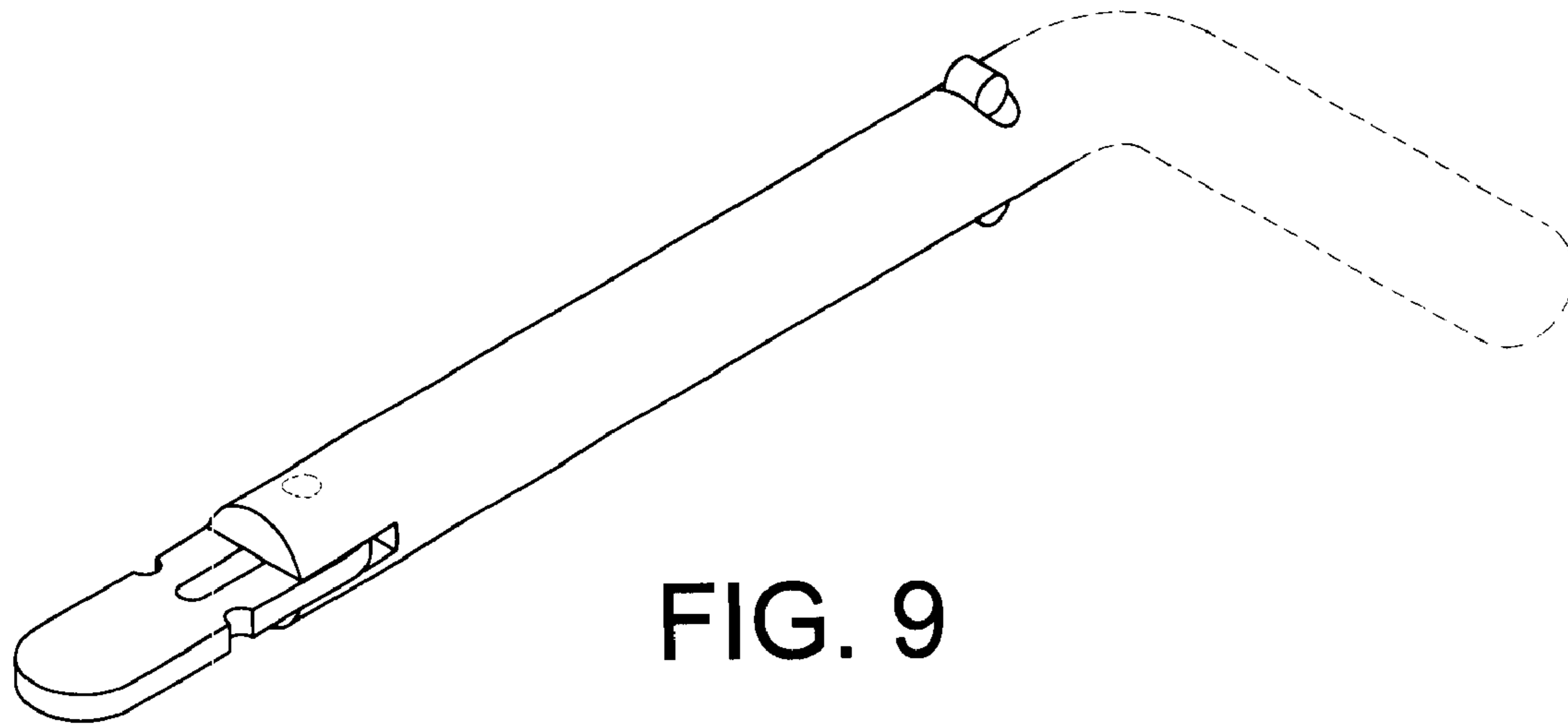


FIG. 9

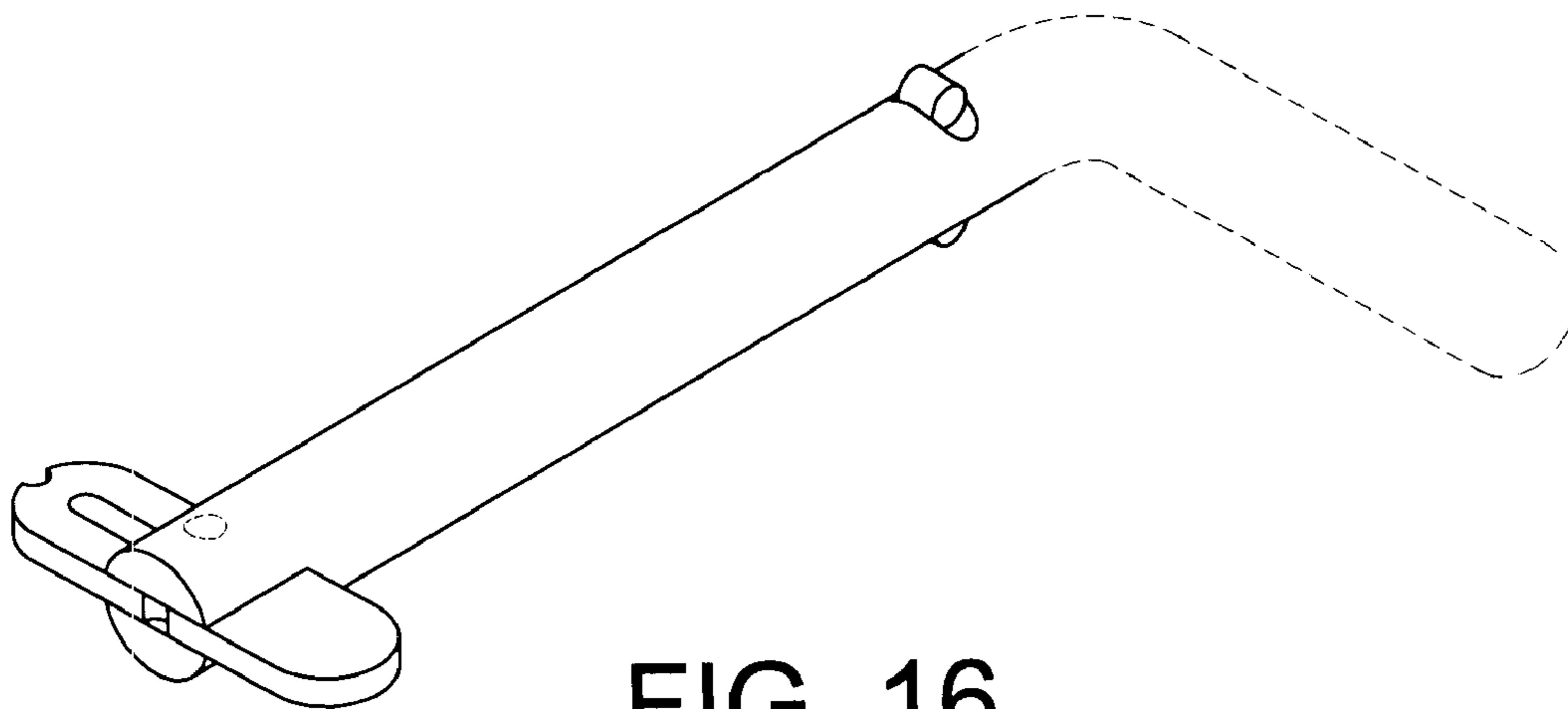


FIG. 16

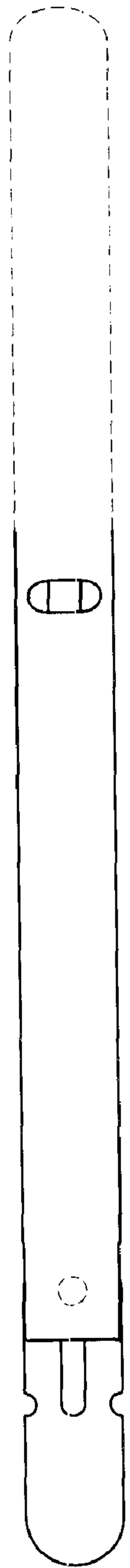


FIG. 10

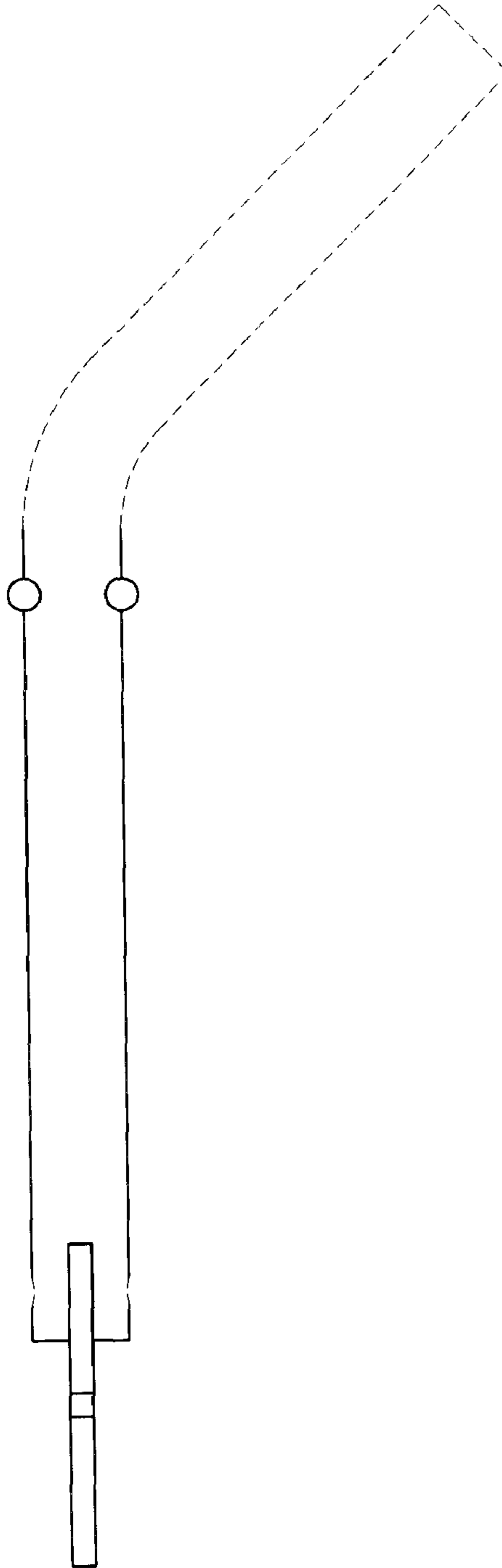


FIG. 11

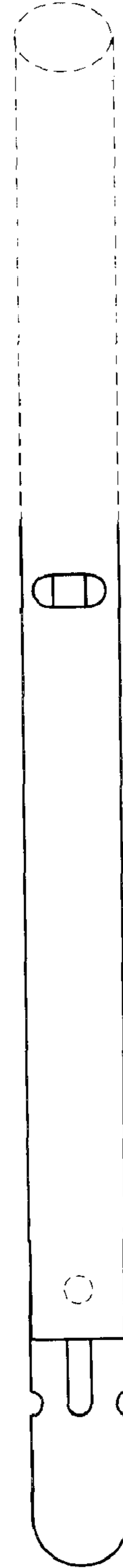


FIG. 12

FIG. 13

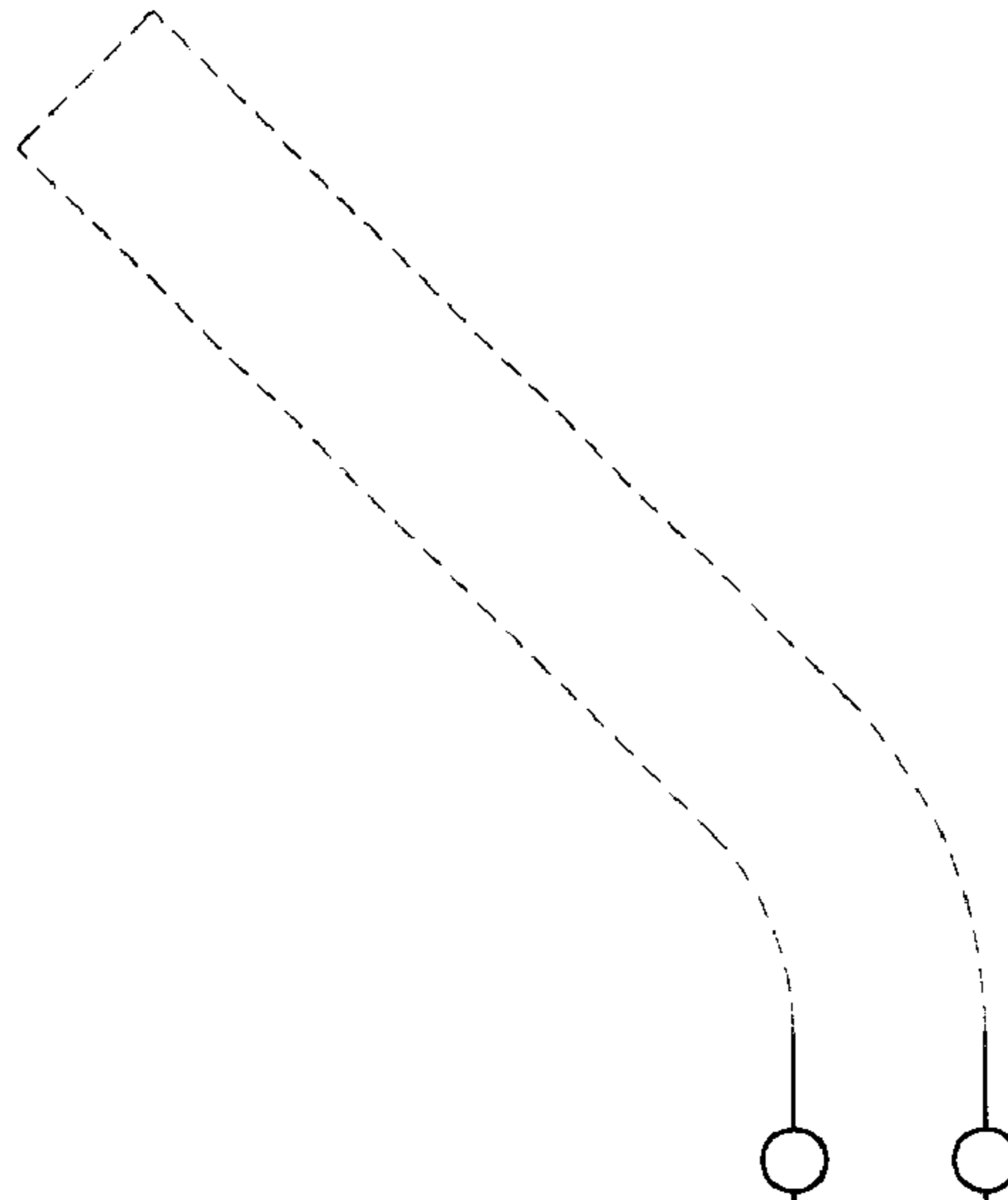
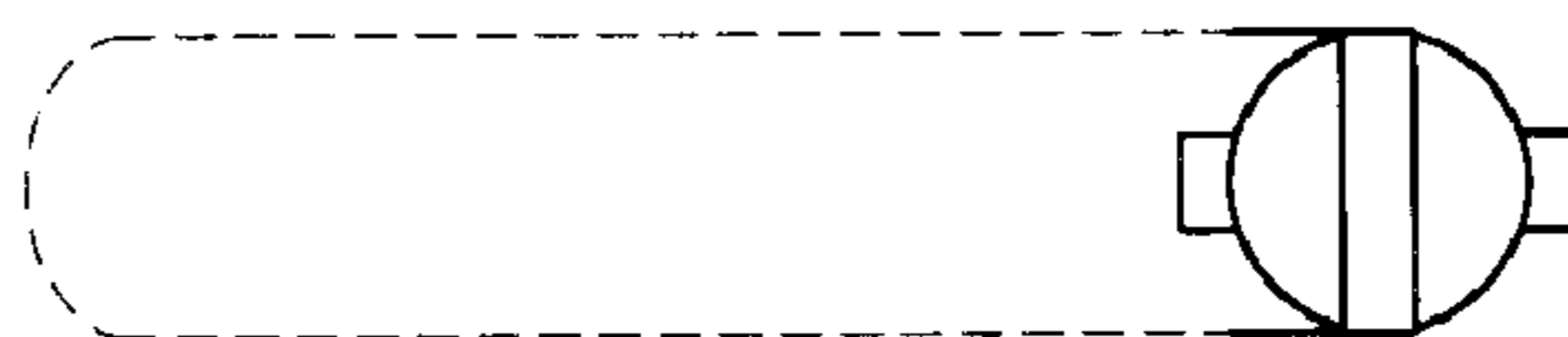


FIG. 14

FIG. 15



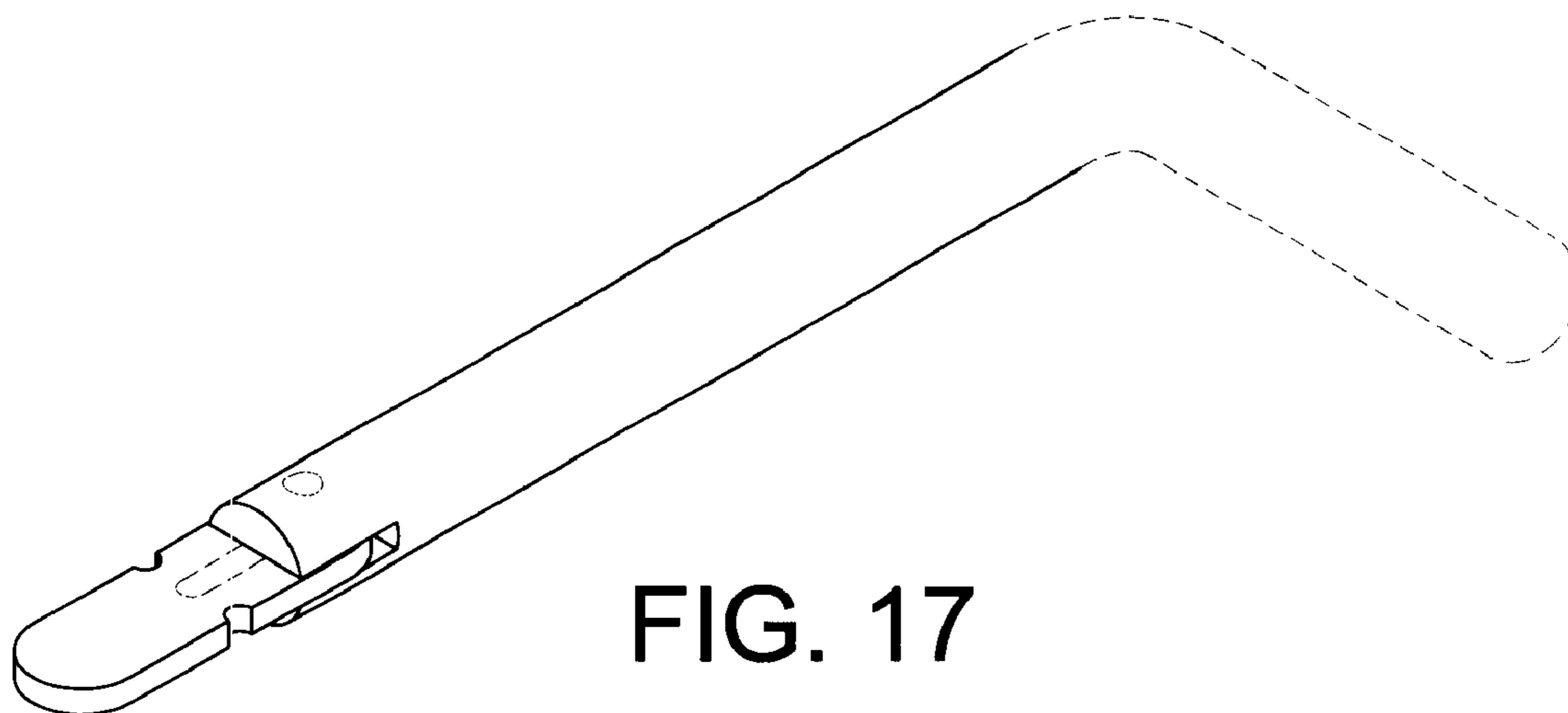


FIG. 17

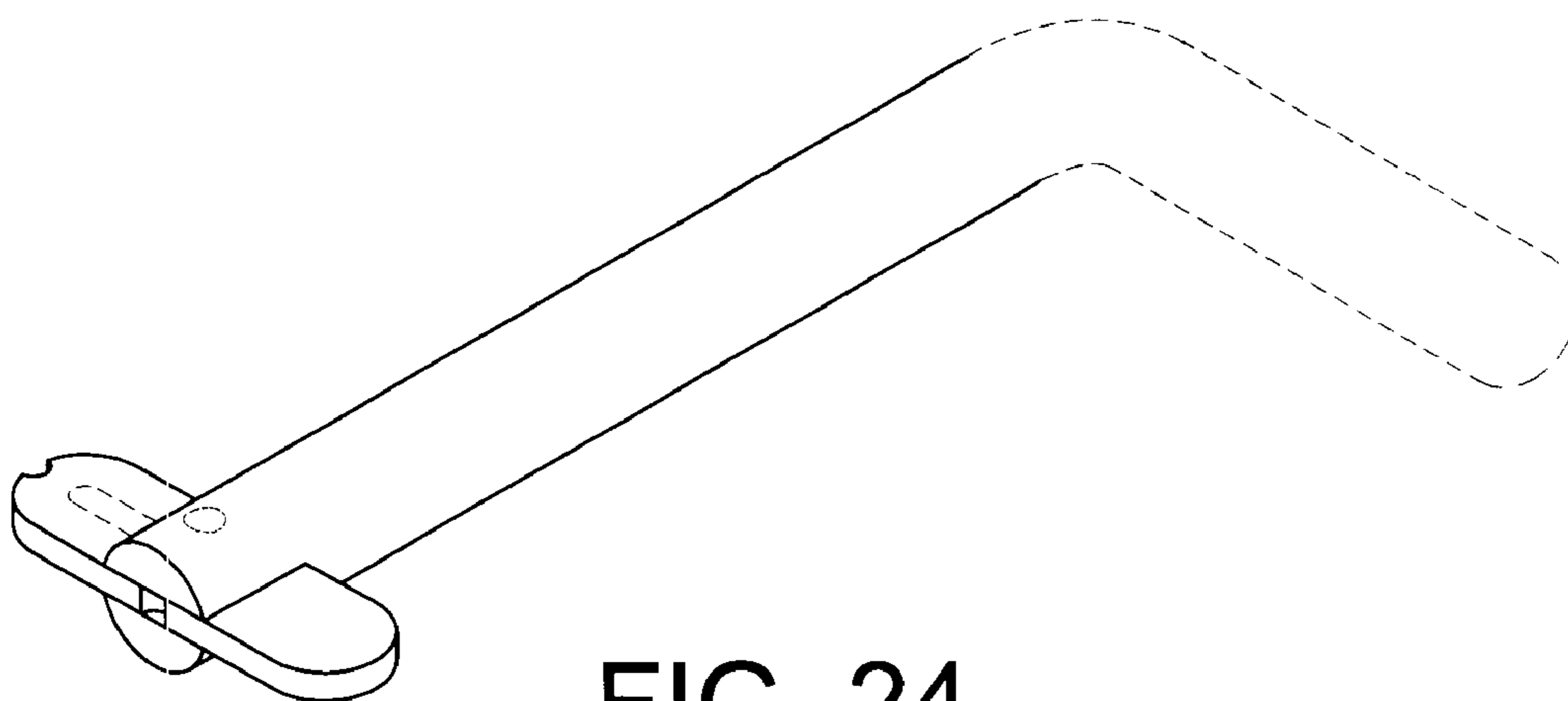


FIG. 24

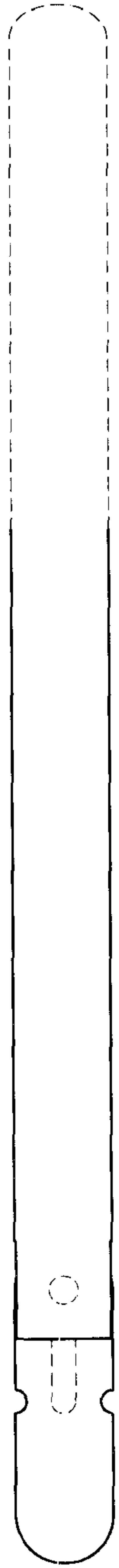


FIG. 18

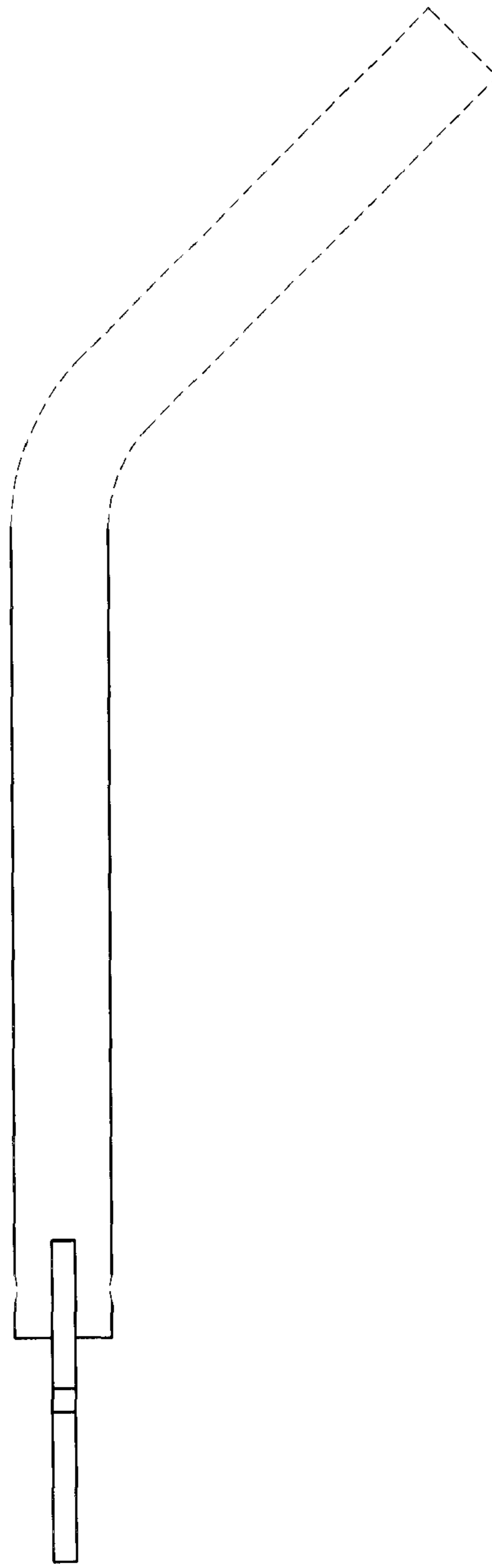


FIG. 19

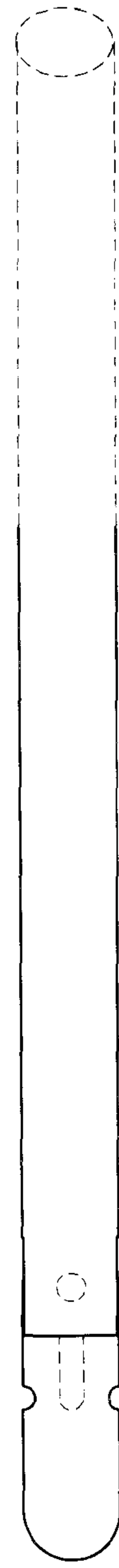


FIG. 20

FIG. 21



FIG. 22

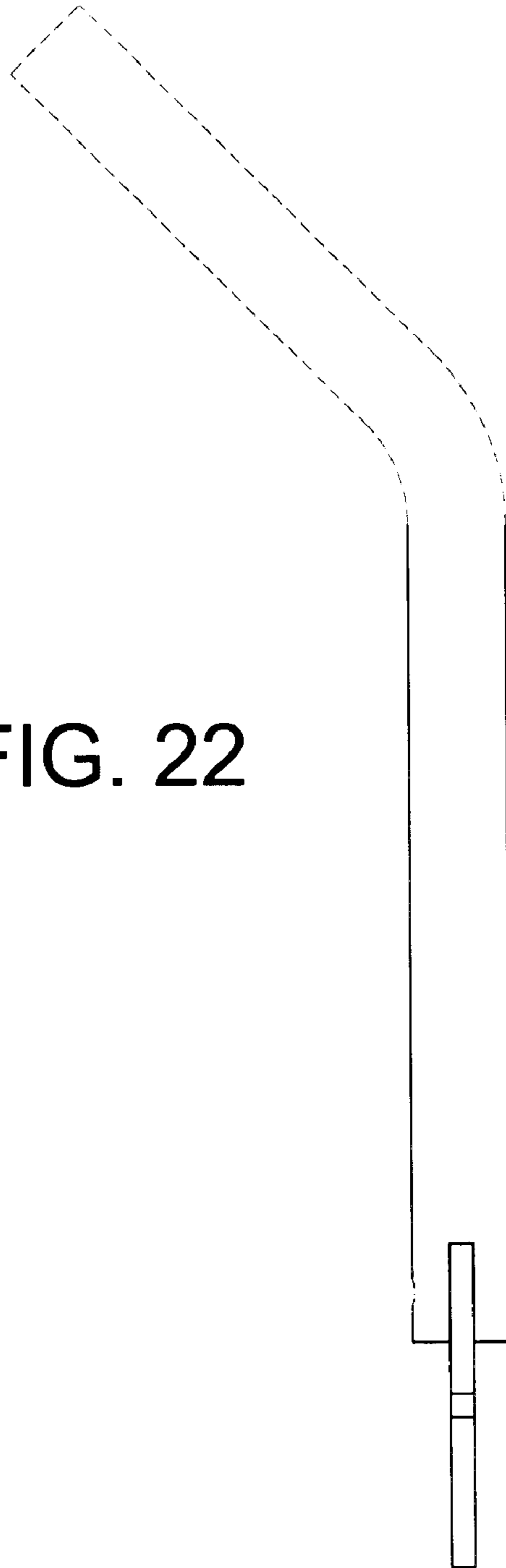


FIG. 23



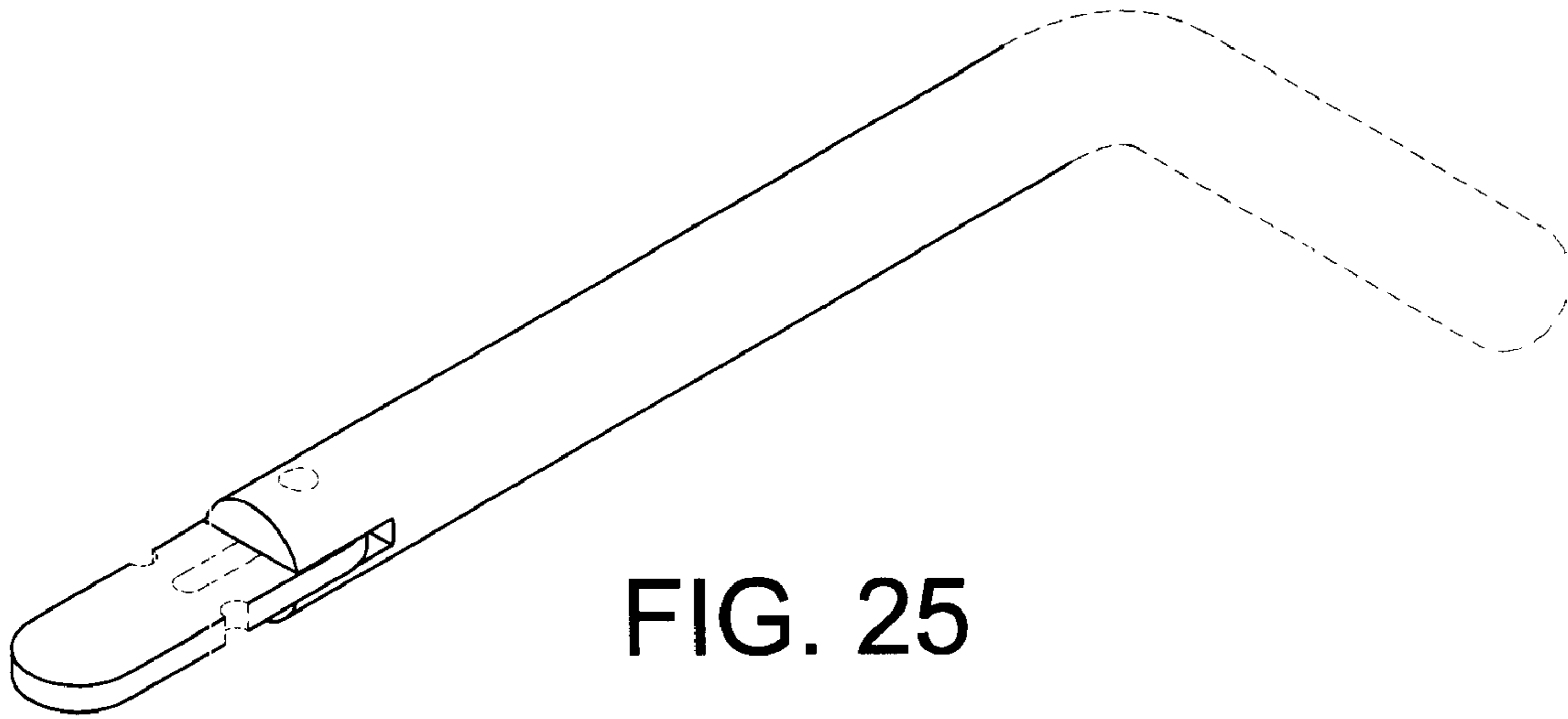


FIG. 25

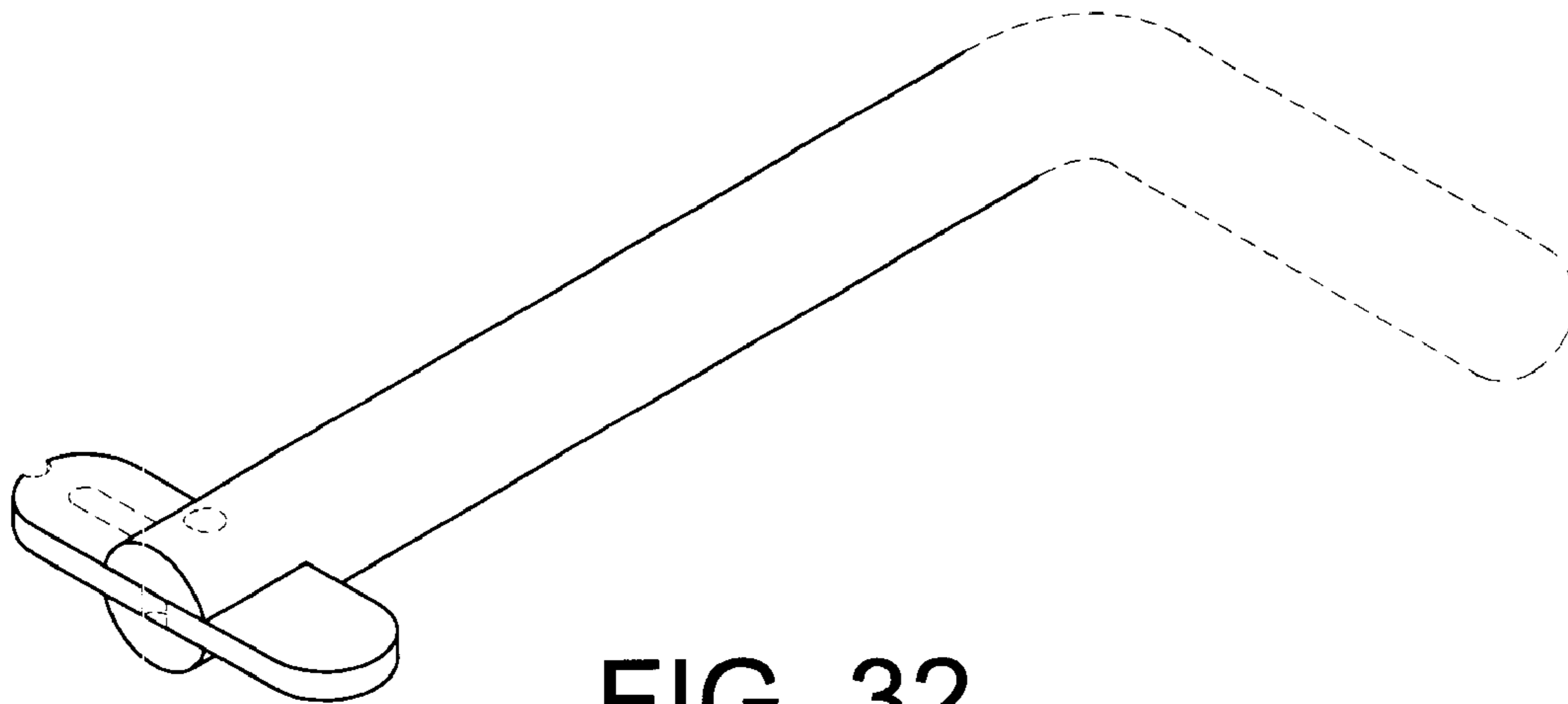


FIG. 32

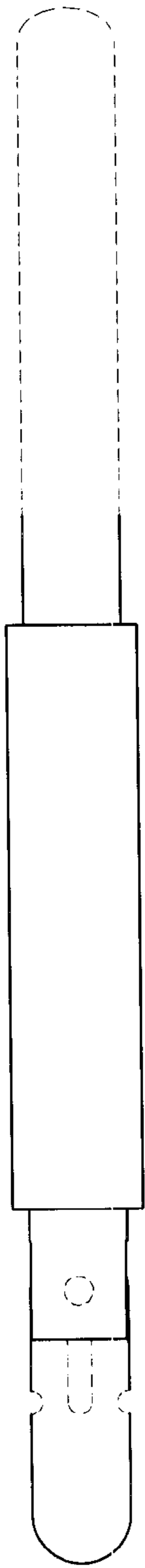


FIG. 26

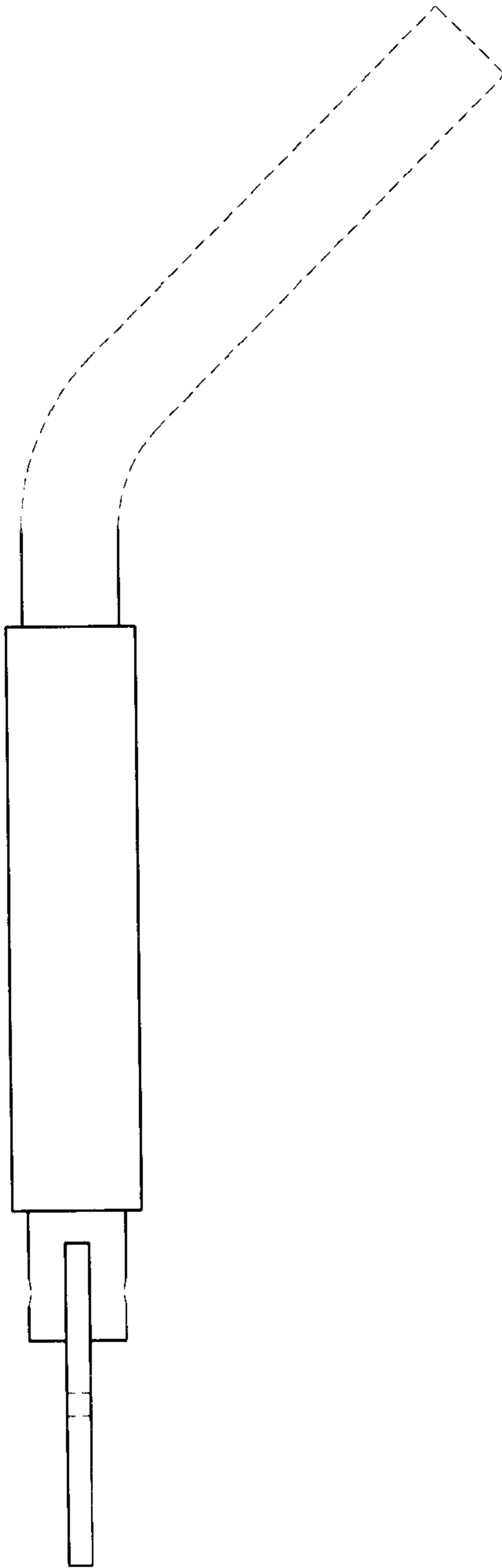


FIG. 27



FIG. 28

FIG. 29



FIG. 30

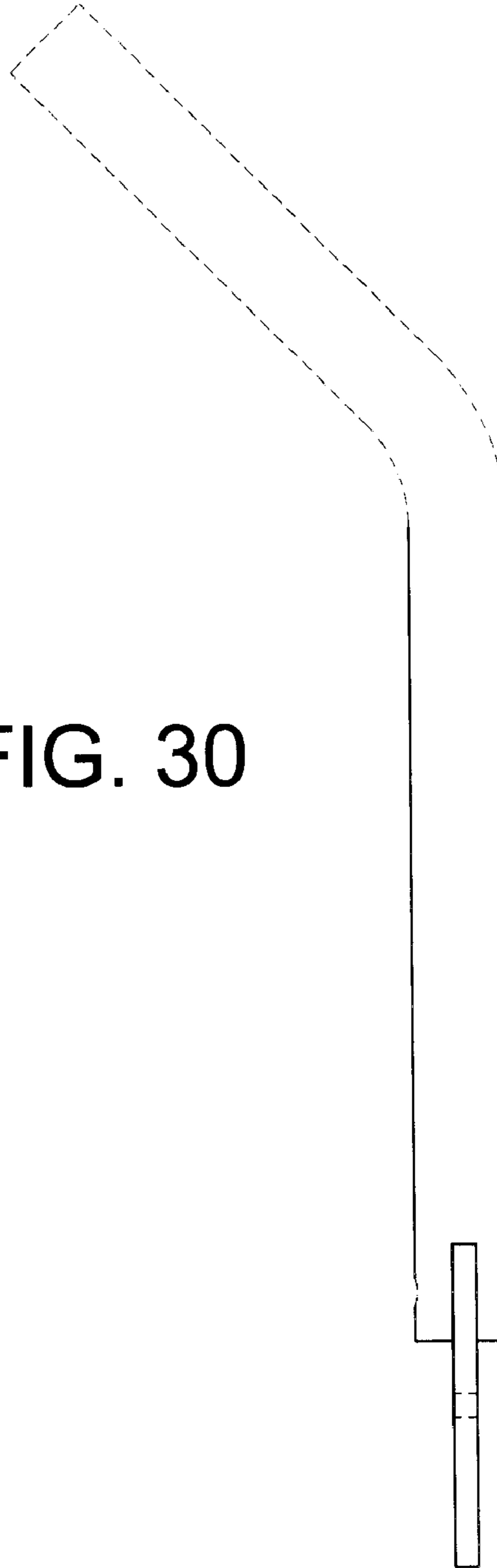


FIG. 31

