



US00D536234S

(12) **United States Design Patent**
Lin

(10) **Patent No.:** **US D536,234 S**

(45) **Date of Patent:** **** Feb. 6, 2007**

(54) **HANDLE OF HAND TOOL**

(76) **Inventor:** **Fu Hui Lin**, No. 113, Lane 60,
Gong-Jiew Street, Ta-Li City, Taichung
County (TW)

(**) **Term:** **14 Years**

(21) **Appl. No.:** **29/255,127**

(22) **Filed:** **Mar. 2, 2006**

(51) **LOC (8) Cl.** **08-04**

(52) **U.S. Cl.** **D8/107; D8/83**

(58) **Field of Classification Search** D8/107,
D8/82-87; 81/489, 436, 439-440, 177.1,
81/180.1; 16/110.1, 421, 430-431
See application file for complete search history.

(56) **References Cited**

U.S. PATENT DOCUMENTS

1,325,070	A	*	12/1919	Andrews	81/439
2,870,809	A	*	1/1959	Feldman et al.	81/489
D329,367	S	*	9/1992	Landy	D8/83
D378,729	S	*	4/1997	Chang	D8/83
D446,706	S	*	8/2001	Kalomeris et al.	D8/83

D449,505	S	*	10/2001	Glass et al.	D8/33
6,629,338	B2	*	10/2003	Dierolf et al.	16/430
D482,949	S	*	12/2003	Molenaar	D8/107
D485,482	S	*	1/2004	Romanski et al.	D8/83
6,701,809	B2	*	3/2004	Huang	81/125

* cited by examiner

Primary Examiner—Pamela J. Burgess

(74) *Attorney, Agent, or Firm*—Charles E. Baxley

(57) **CLAIM**

The ornamental design for a handle of hand tool, as shown and described.

DESCRIPTION

FIG. 1 is a front-right-top perspective view of a handle of hand tool, showing my new design.

FIG. 2 is a front elevational view thereof;

FIG. 3 is a rear elevational view thereof;

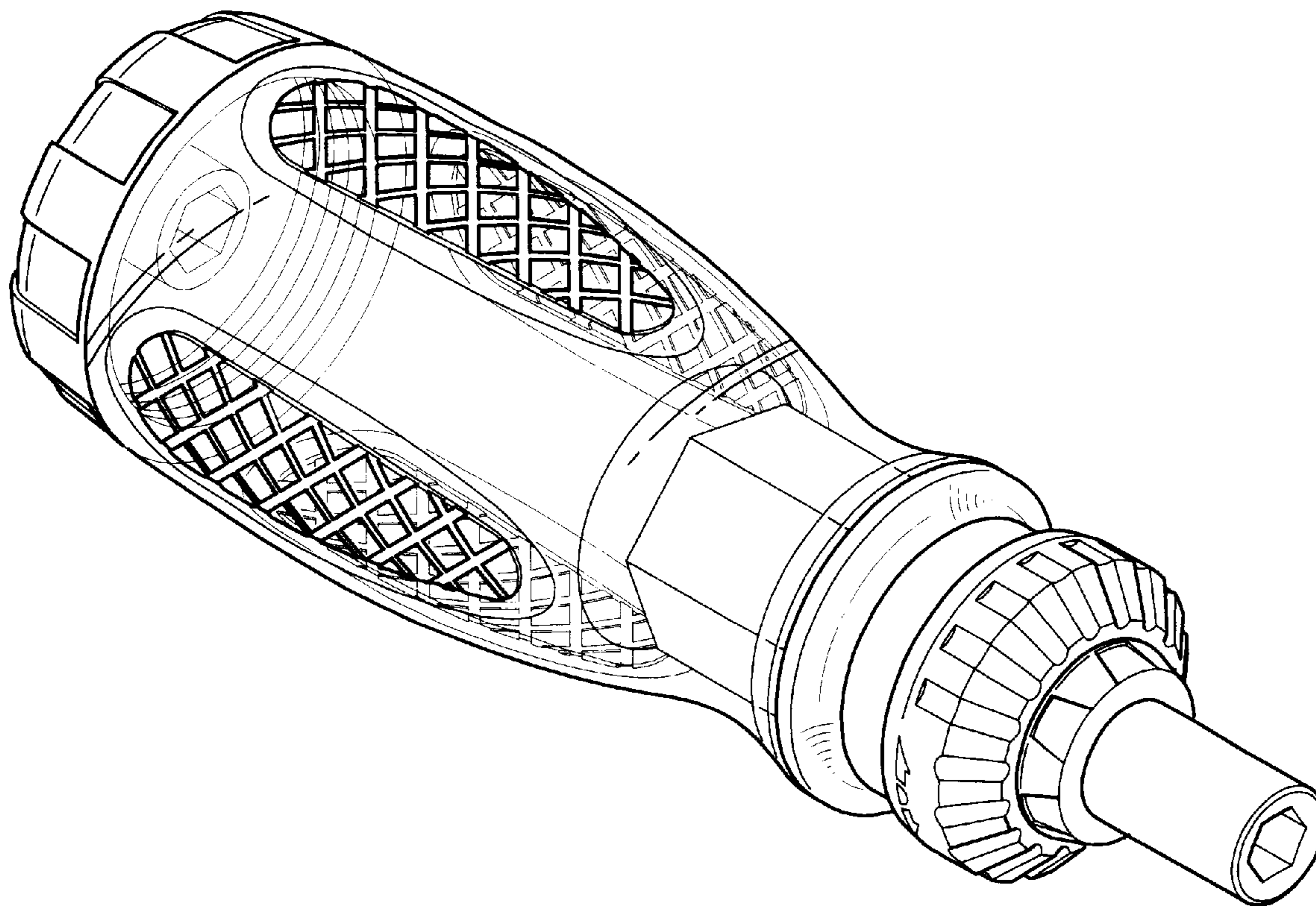
FIG. 4 is a left elevational view thereof;

FIG. 5 is a right elevational view thereof;

FIG. 6 is a top plan view thereof; and,

FIG. 7 is a bottom plan view thereof.

1 Claim, 2 Drawing Sheets



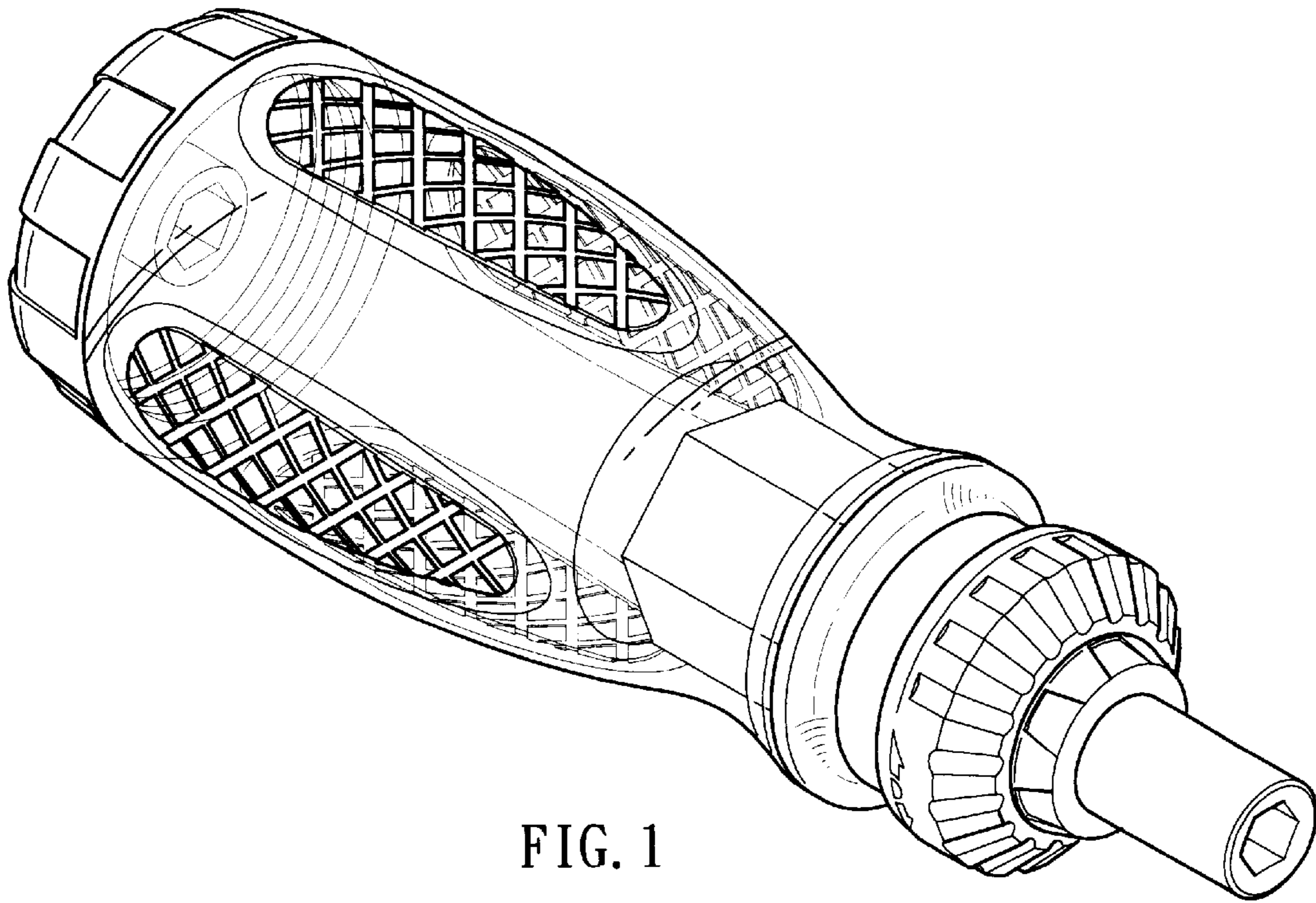


FIG. 1

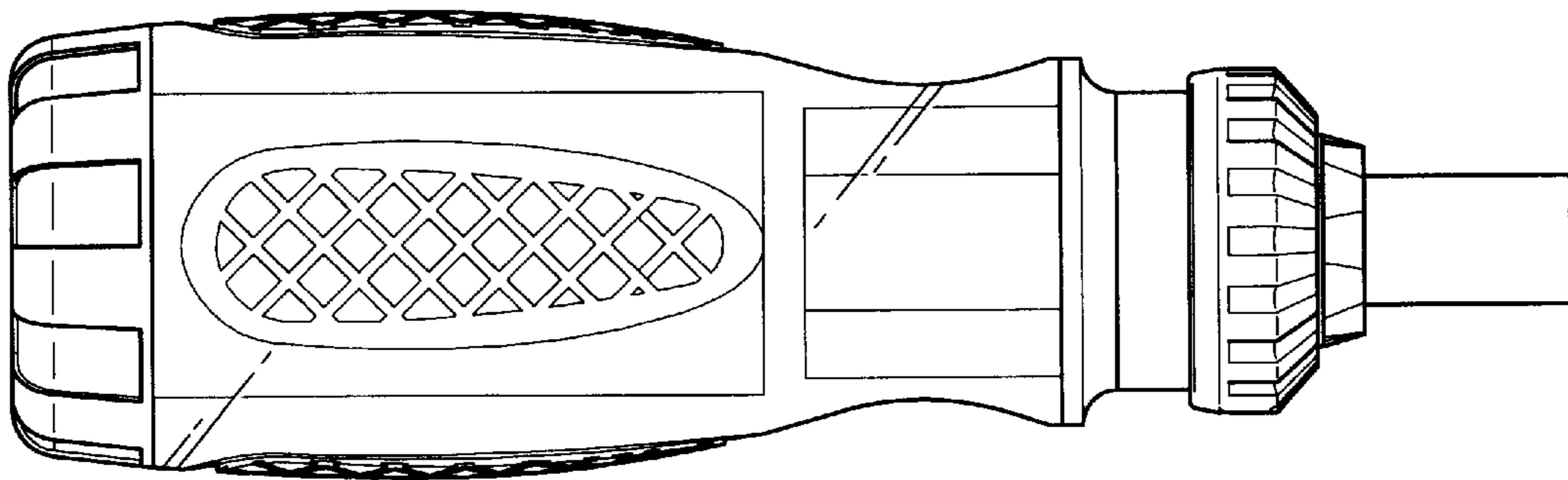


FIG. 6

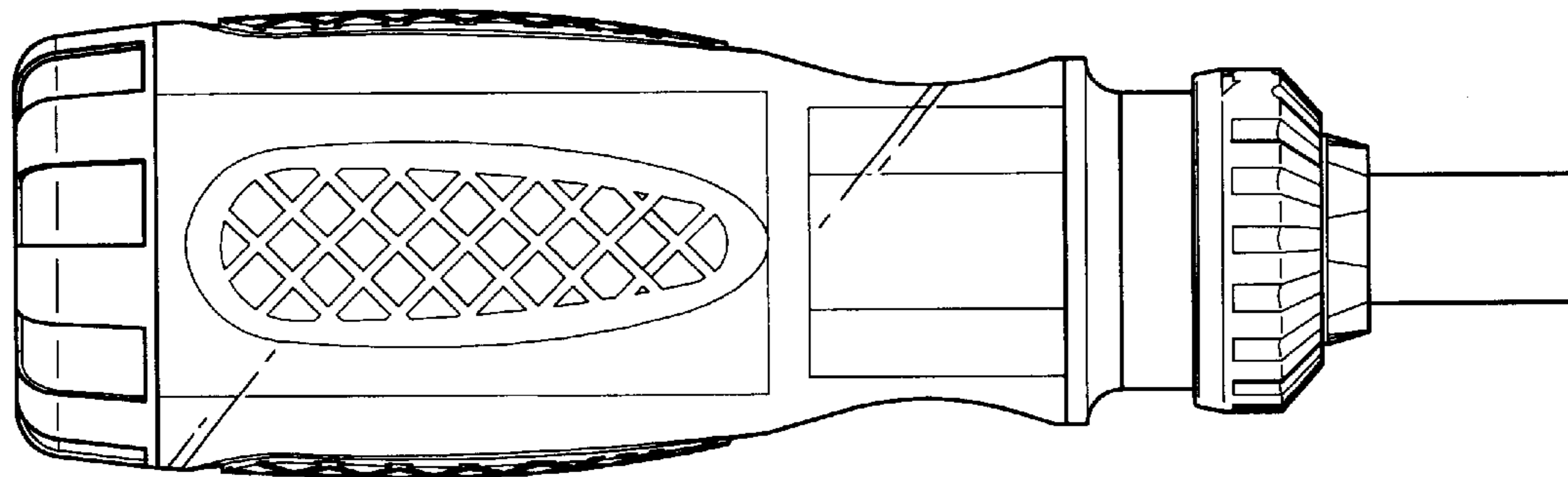


FIG. 7

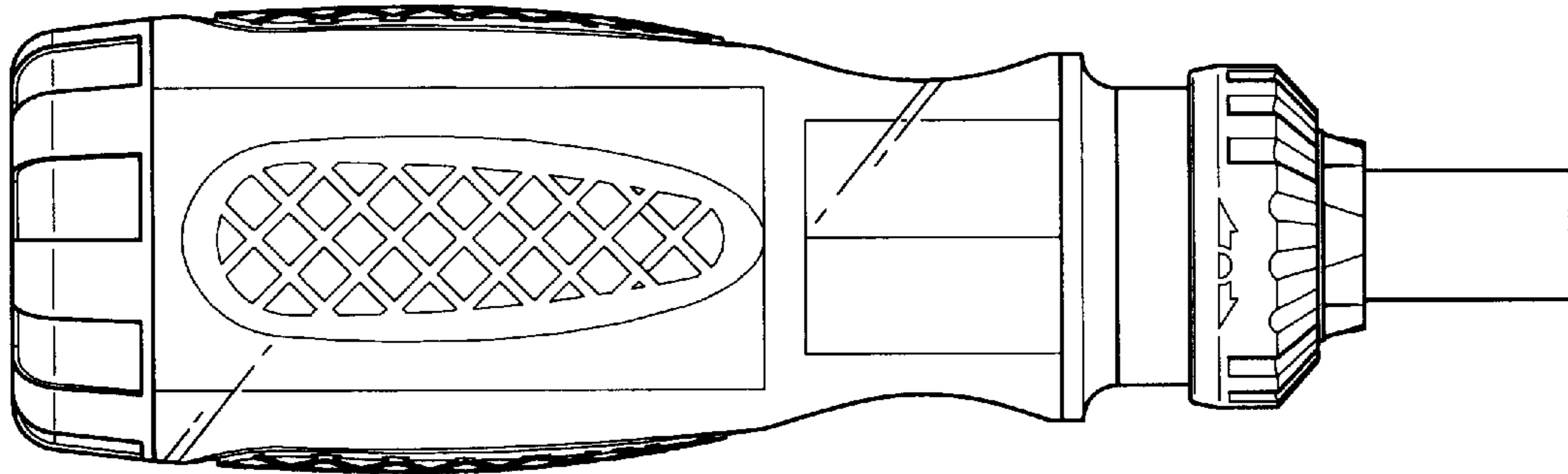


FIG. 2

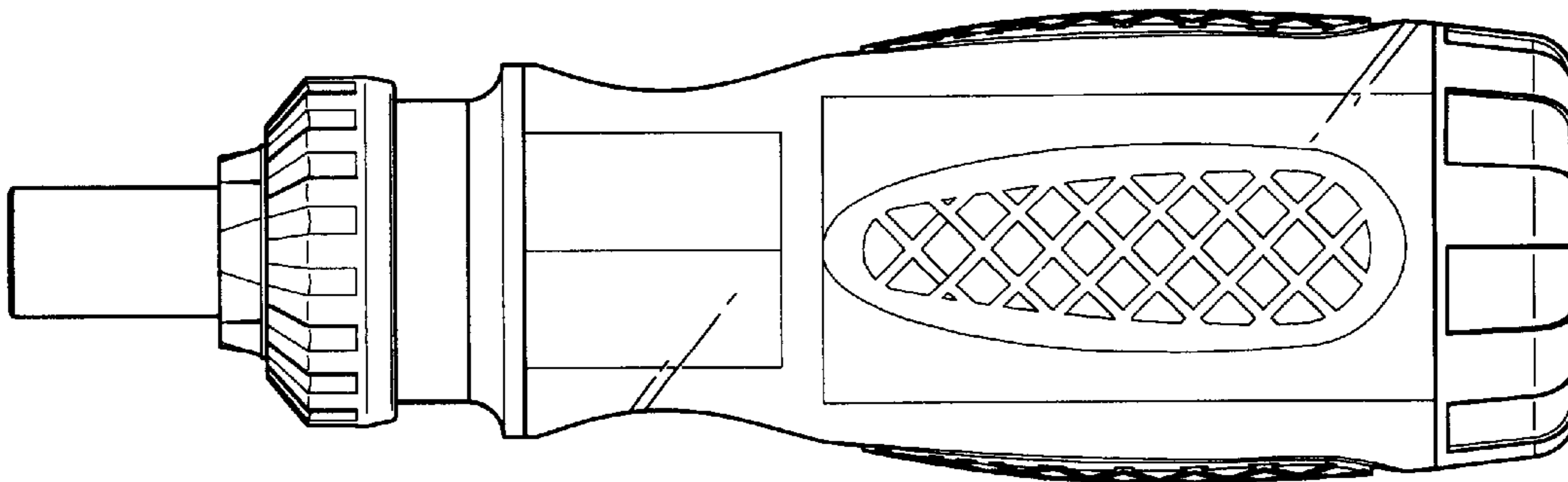


FIG. 3

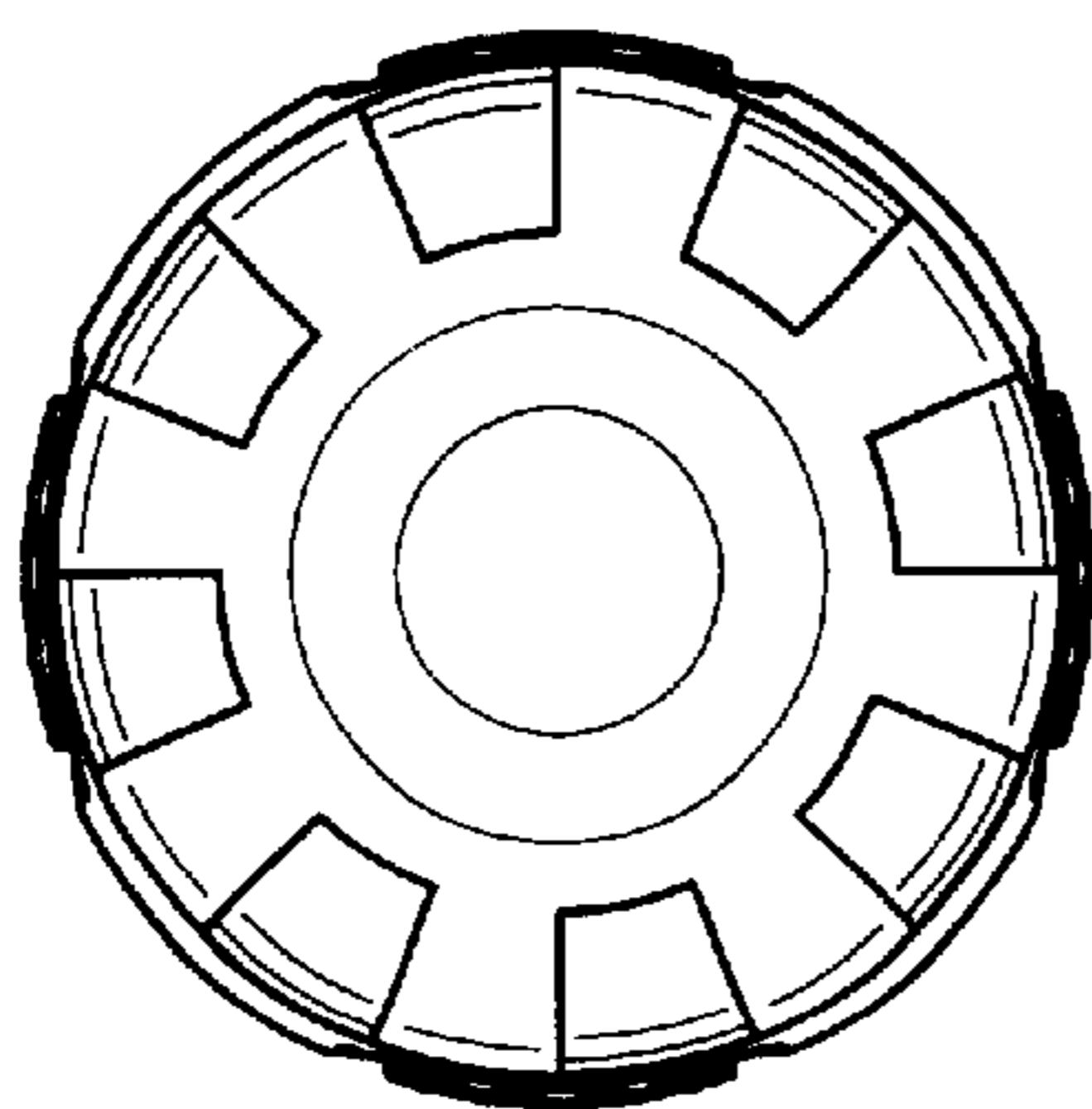


FIG. 4

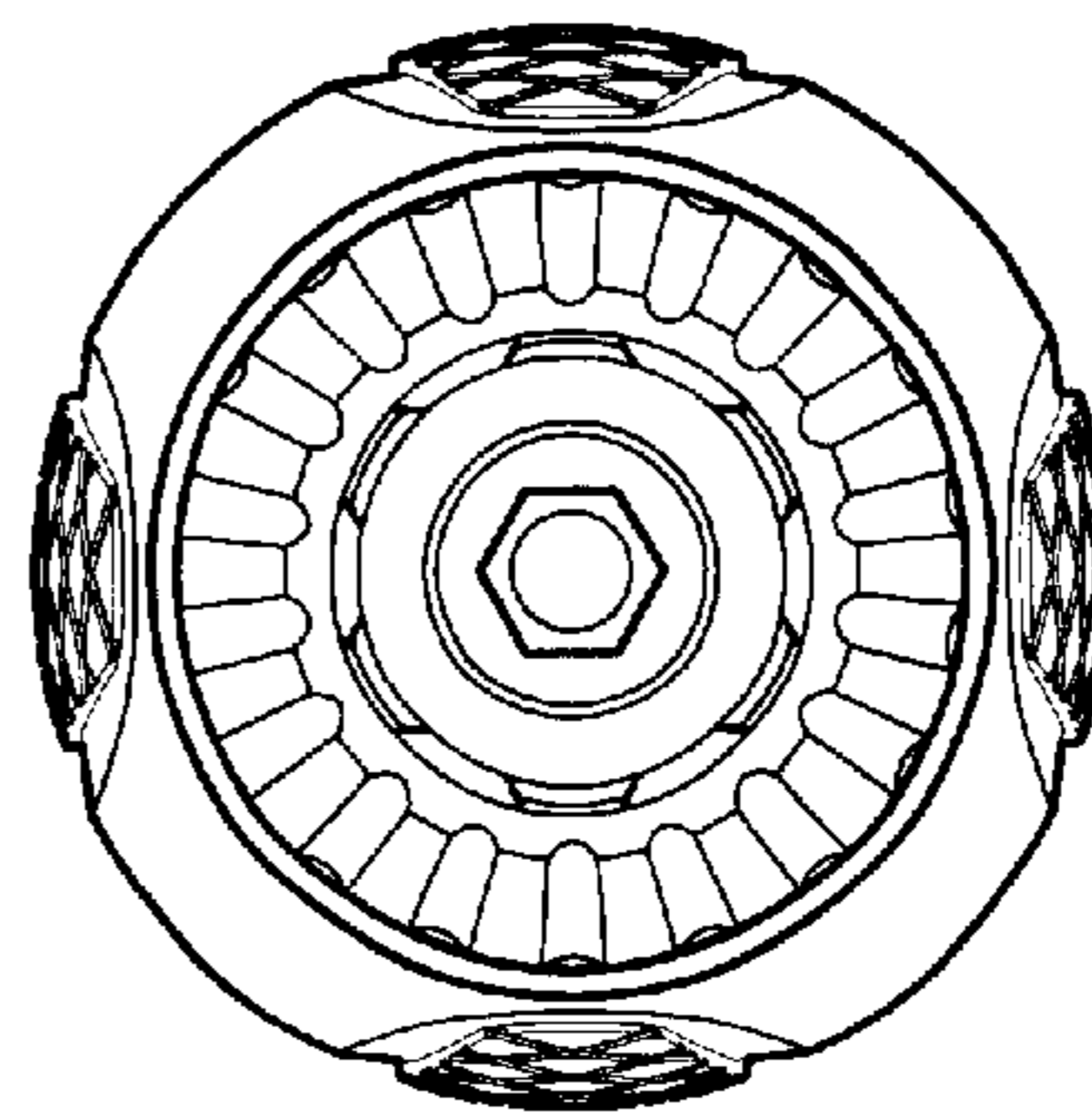


FIG. 5