



US00D536232S

(12) **United States Design Patent** (10) **Patent No.:** **US D536,232 S**
Freese et al. (45) **Date of Patent:** **** Feb. 6, 2007**

(54) **ROUTER HANDLES**
(75) Inventors: **John B. Freese**, Evanston, IL (US);
Bjorn J. Gunderson, Chicago, IL (US);
Robert H. Bruno, Avon, CT (US)
(73) Assignee: **Credo Technology Corporation**,
Broadview, IL (US)
(**) Term: **14 Years**
(21) Appl. No.: **29/188,236**
(22) Filed: **Aug. 15, 2003**
(51) **LOC (8) Cl.** **08-05**
(52) **U.S. Cl.** **D8/107**
(58) **Field of Classification Search** D8/21,
D8/107, 67, 97, 96, 94, 95, 91, 90, 83, 82,
D8/51, DIG. 10, 80; D19/32; D4/138; D24/133;
220/753
See application file for complete search history.

6,065,912 A * 5/2000 Bosten et al. 409/134
6,113,323 A 9/2000 Bosten et al.
6,139,229 A 10/2000 Bosten et al.
6,182,723 B1 2/2001 Bosten et al.
6,261,036 B1 7/2001 Bosten et al.
6,488,455 B1 12/2002 Staebler et al.
D468,180 S * 1/2003 Bruno et al. D8/64
D473,770 S * 4/2003 Kopras et al. D8/61
D478,488 S * 8/2003 Bruno et al. D8/62
D511,668 S * 11/2005 Mival et al. D8/98
7,018,149 B2 * 3/2006 Freese et al. 409/182
D525,752 S * 7/2006 Bakker D32/19
D527,532 S * 9/2006 Henke et al. D14/138
2002/0043294 A1 4/2002 McDonald et al.
2003/0002948 A1 1/2003 Hathcock et al.
2005/0006000 A1 * 1/2005 Freese et al. 144/136.95
2005/0201839 A1 * 9/2005 Freese et al. 409/182

* cited by examiner

Primary Examiner—Alan P. Douglas
Assistant Examiner—Barbara Fox
(74) *Attorney, Agent, or Firm*—Greer, Burns & Crain, Ltd.

(57) **CLAIM**

The ornamental design for router handles, as shown and described.

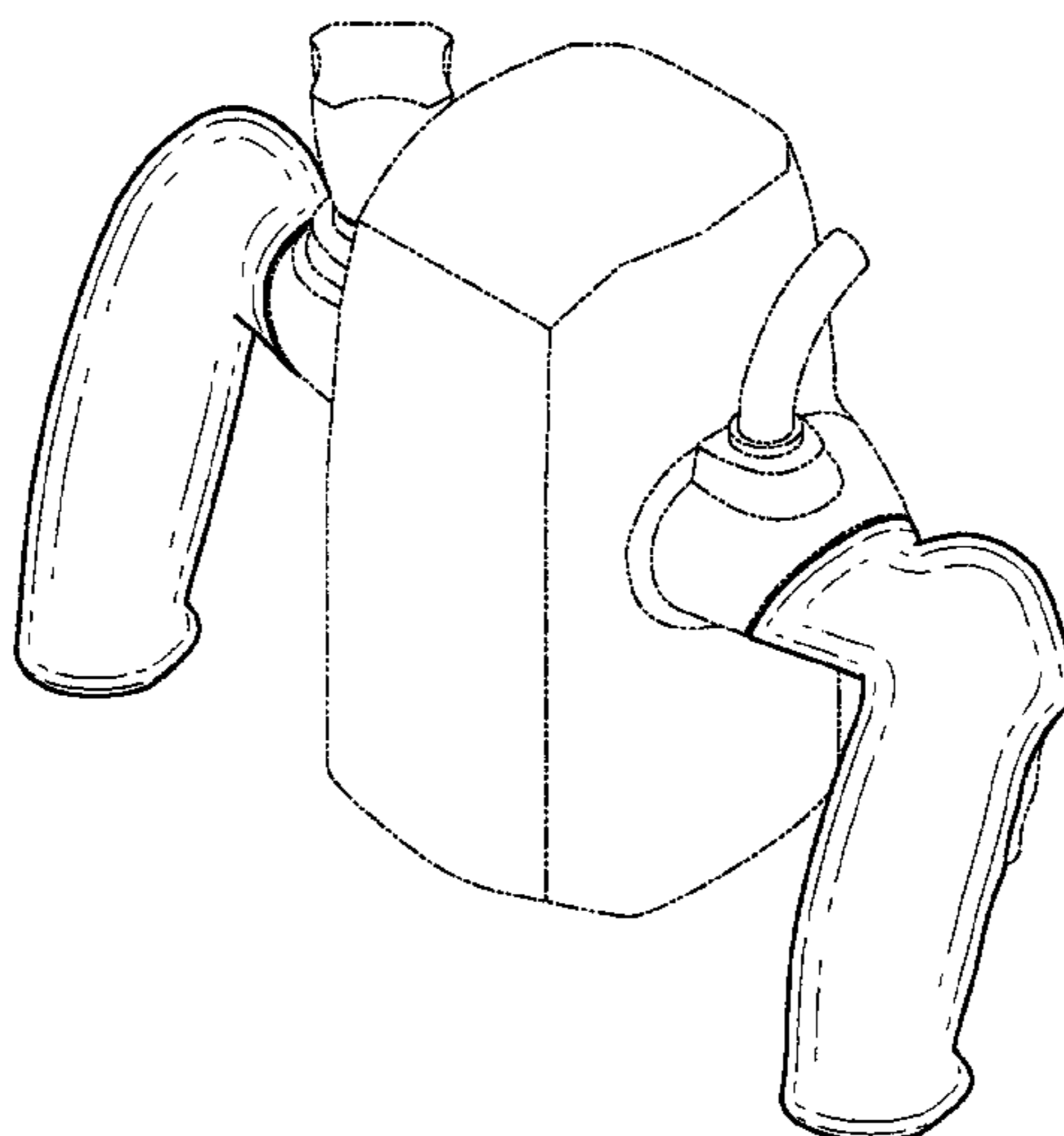
DESCRIPTION

FIG. 1 is a rear perspective view of a first embodiment of the present new design for router handles;
FIG. 2 is a front perspective view thereof;
FIG. 3 is a rear plan view thereof;
FIG. 4 is a front plan view thereof;
FIG. 5 is a left side plan view thereof;
FIG. 6 is a right side plan view thereof;
FIG. 7 is a top plan view thereof; and,
FIG. 8 is a bottom plan view thereof.
The broken lines showing the body with the cord and knob, as well as the trigger switch and screw holes are for illustrative purposes only and form no part of the claimed design.

1 Claim, 6 Drawing Sheets

(56) **References Cited**
U.S. PATENT DOCUMENTS

3,487,747 A 1/1970 Burrows et al.
3,587,387 A 6/1971 Burrows
D286,131 S 10/1986 Yamamoto
D286,132 S 10/1986 Yamamoto
D300,501 S 4/1989 Zurwelle
D307,104 S 4/1990 Monobe et al.
5,181,813 A 1/1993 McCracken
5,188,492 A 2/1993 McCracken
5,207,253 A 5/1993 Hoshino et al.
D341,305 S * 11/1993 Svetlik D8/70
D349,637 S 8/1994 Hoshino et al.
5,353,852 A 10/1994 Stolzer et al.
5,590,988 A 1/1997 Rusconi
D379,749 S * 6/1997 Gildersleeve et al. D8/67
5,662,440 A 9/1997 Kikuchi et al.
5,671,789 A 9/1997 Stolzer et al.
D416,460 S 11/1999 Bosten et al.
5,988,241 A 11/1999 Bosten et al.



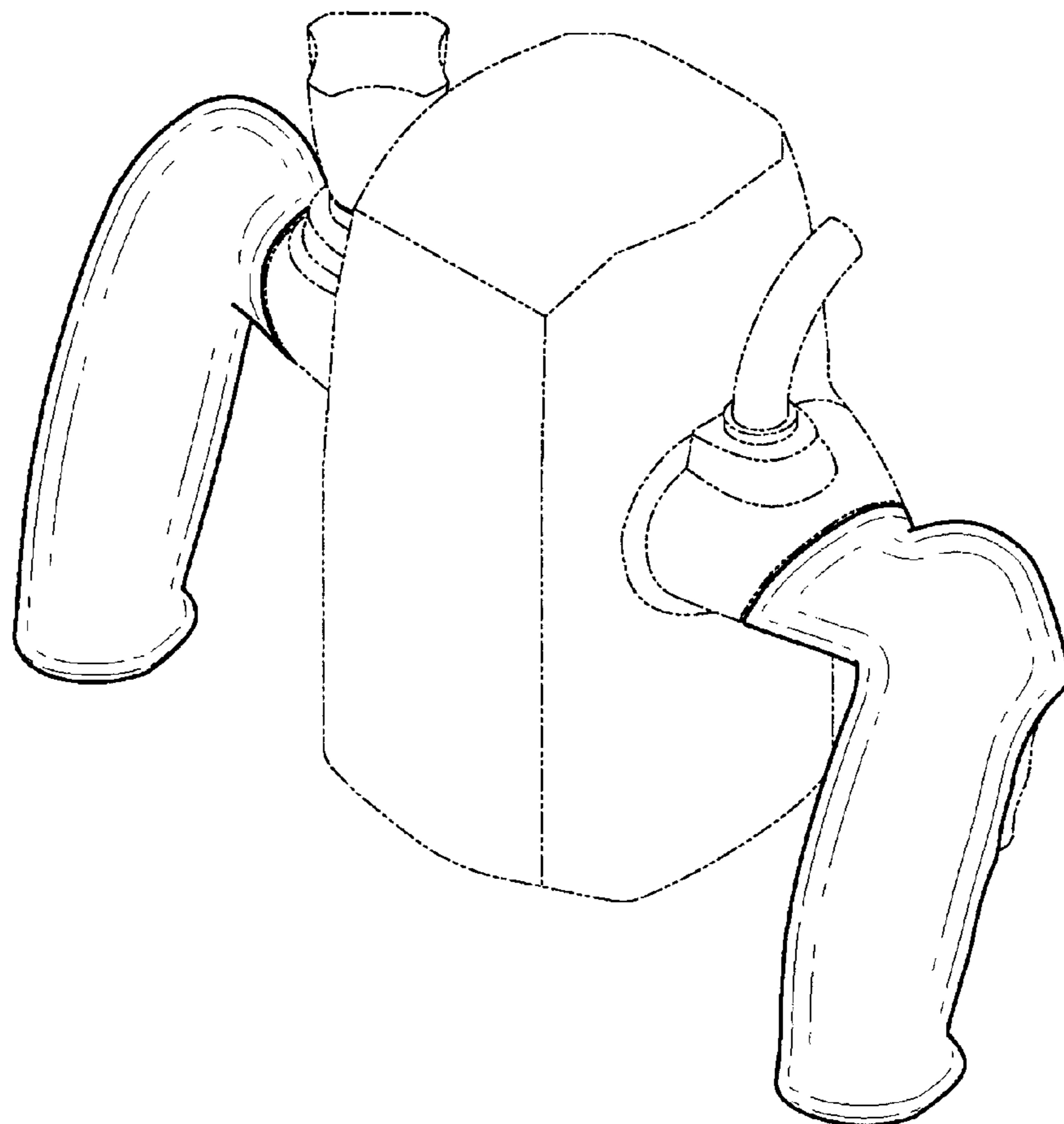


FIG. 1

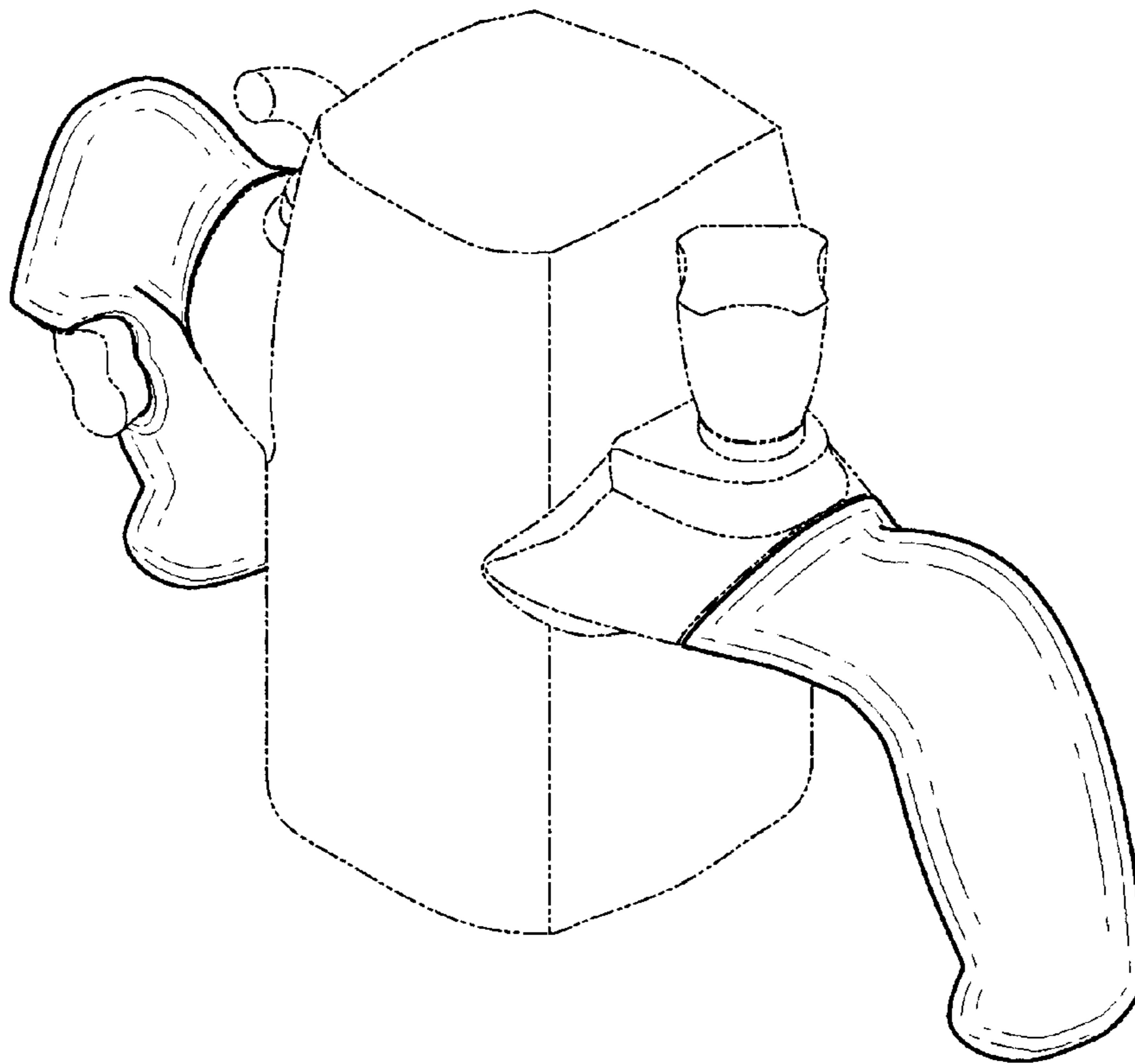


FIG. 2

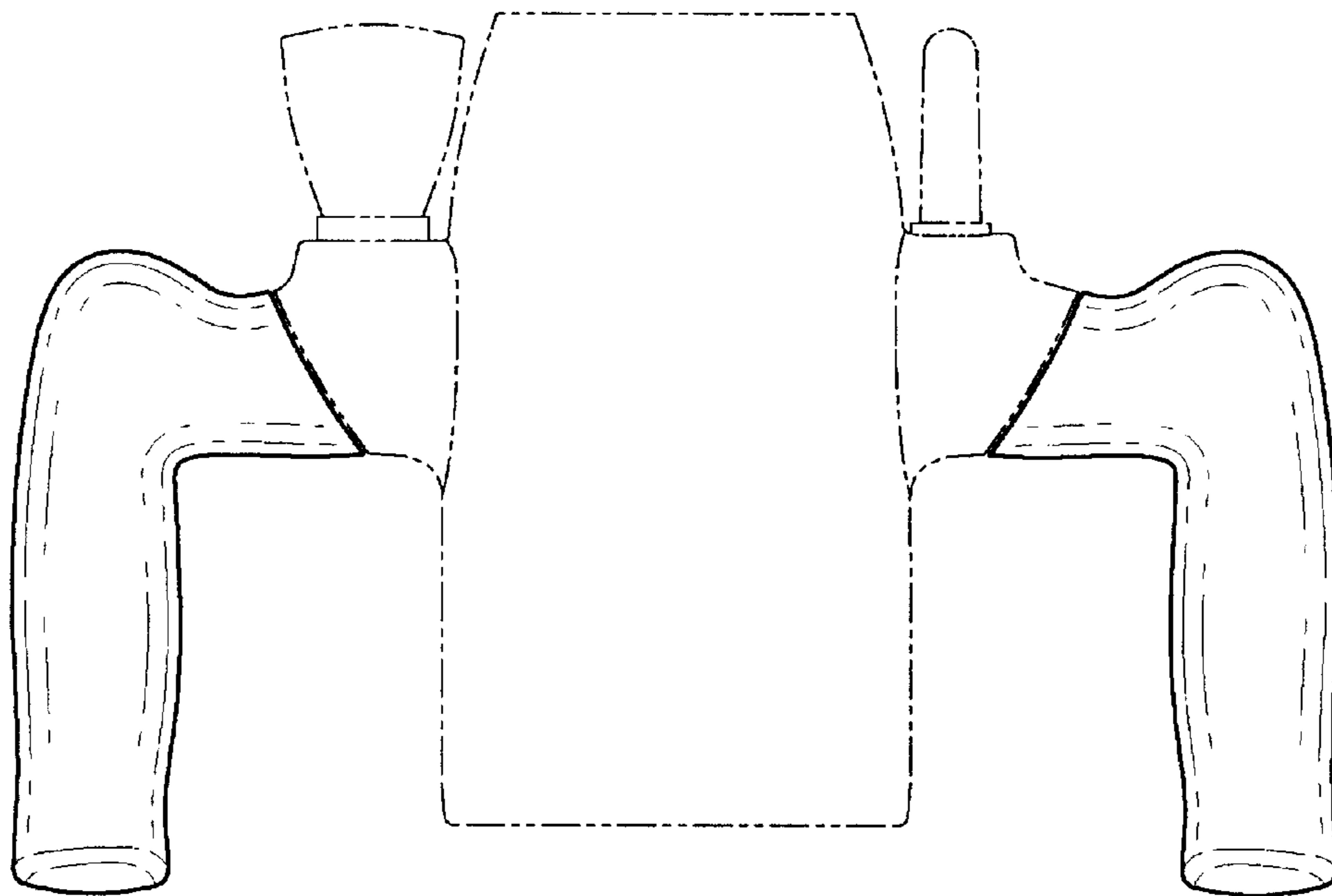


FIG. 3

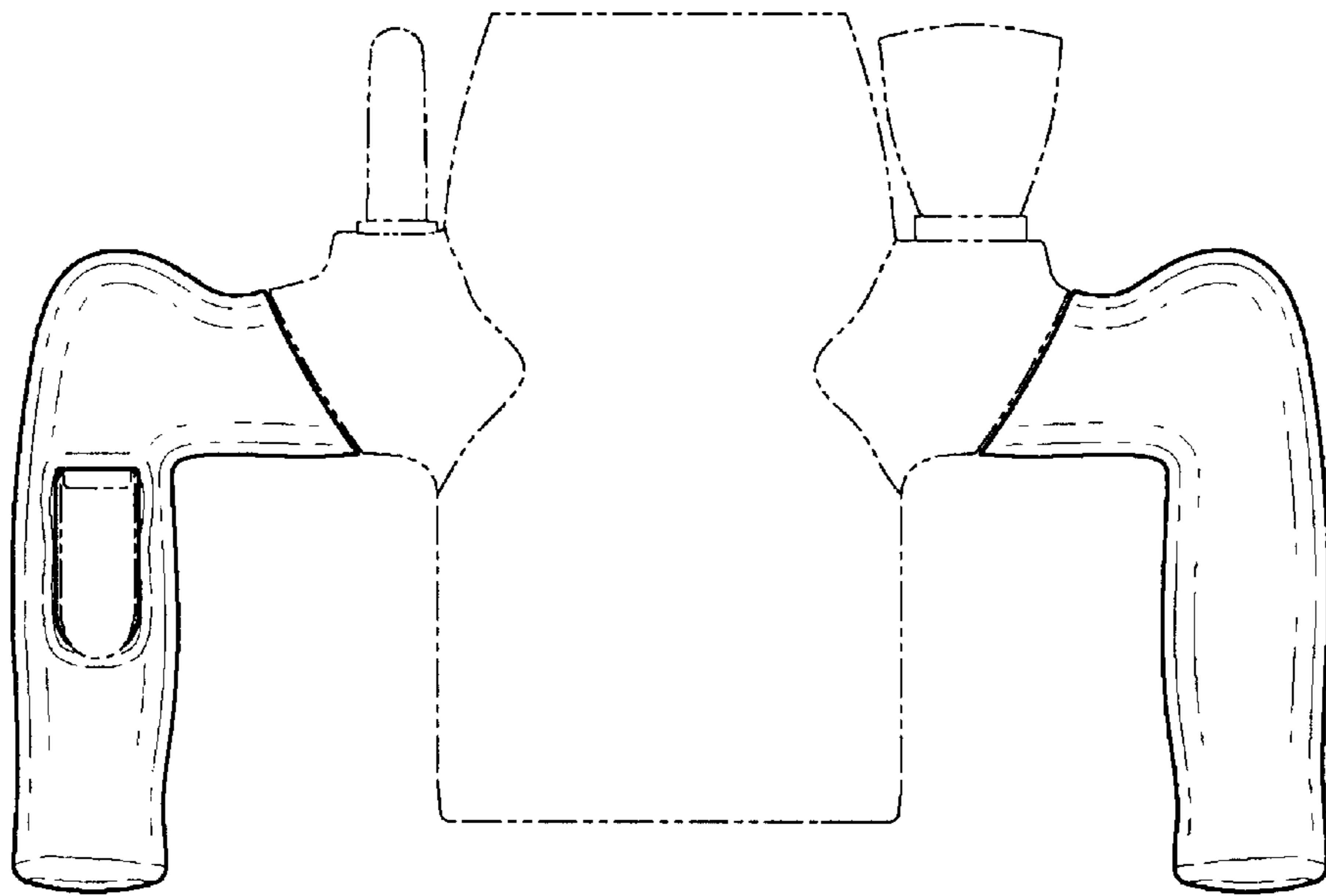


FIG. 4

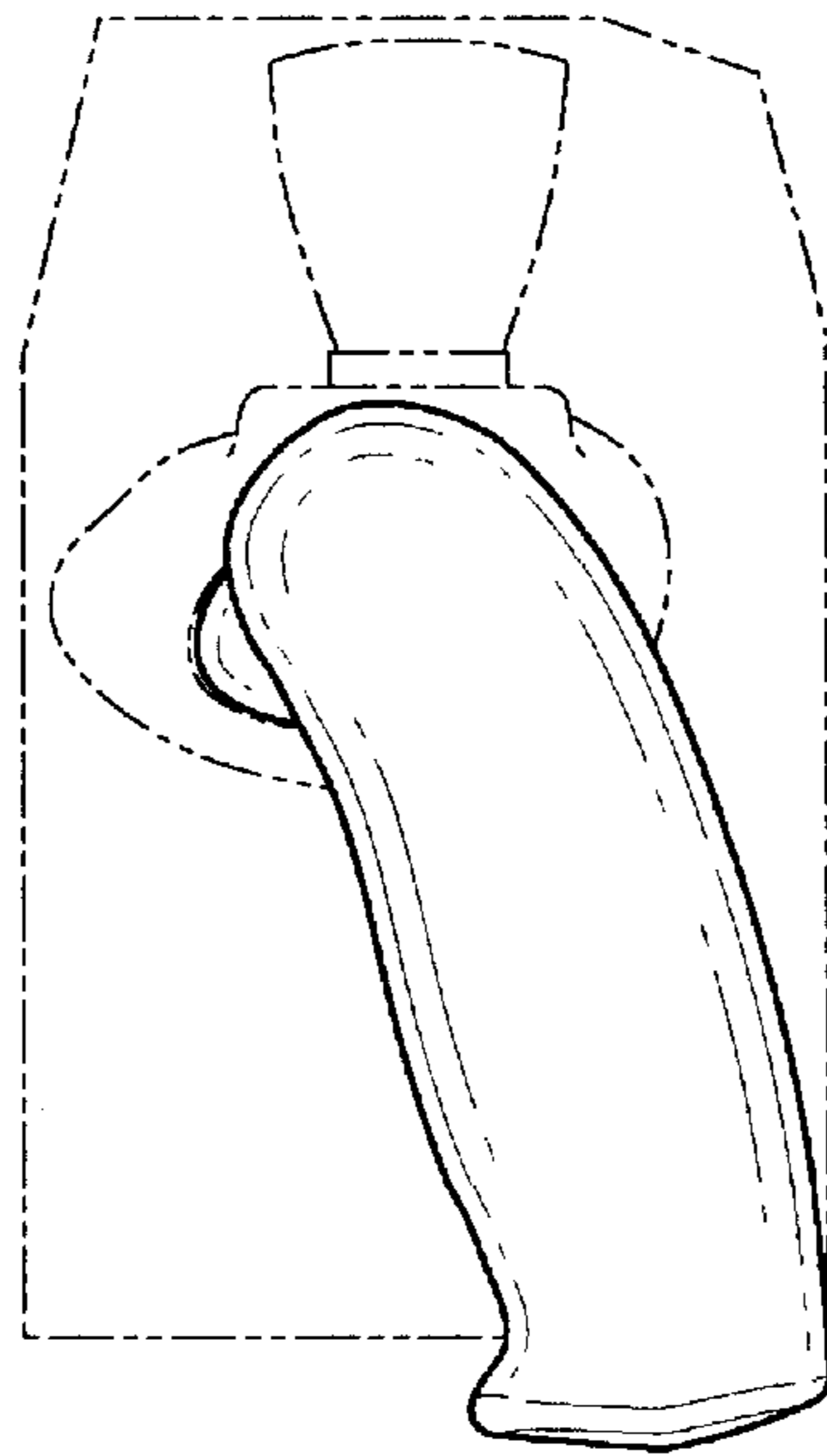


FIG. 5

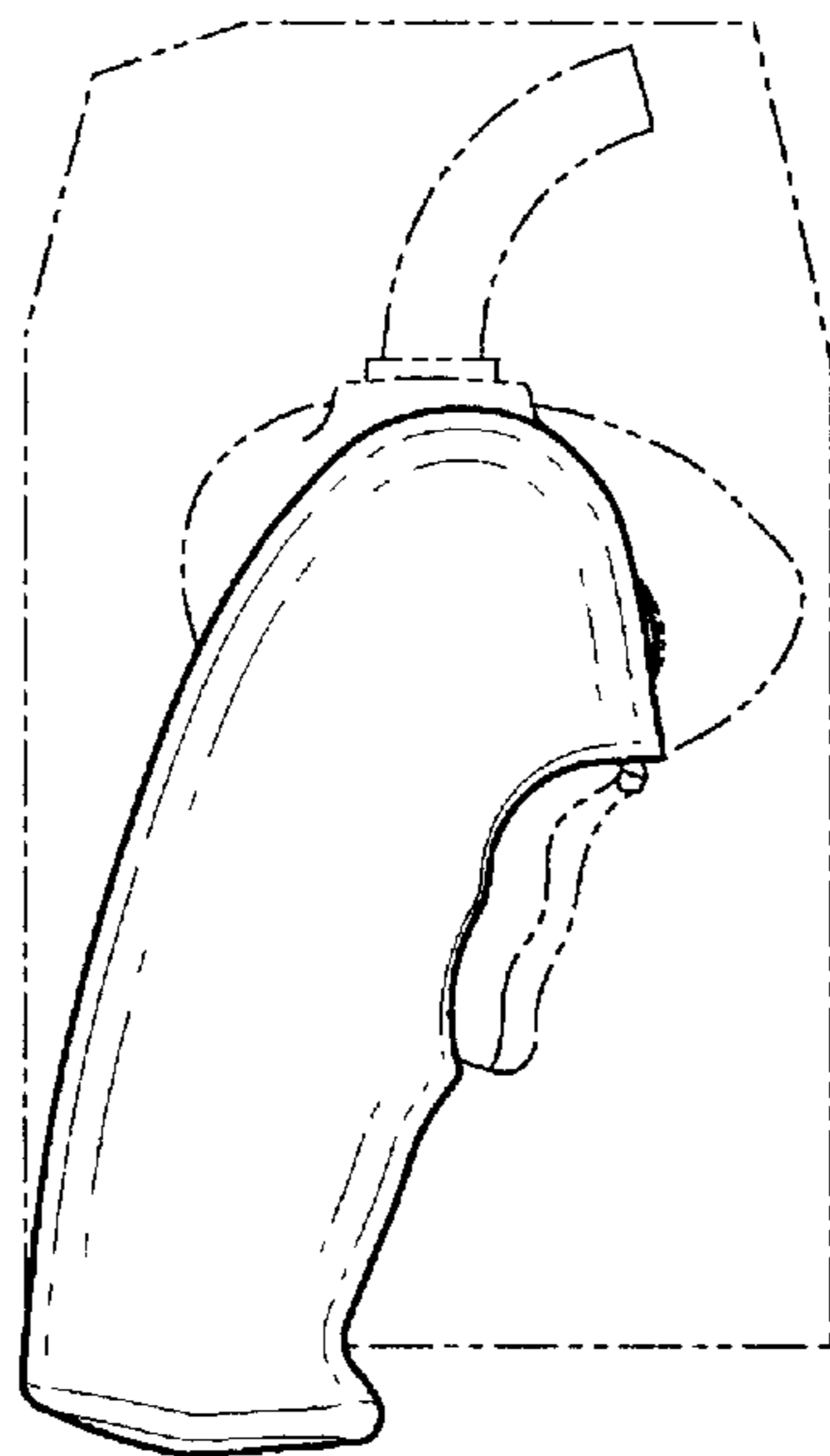


FIG. 6

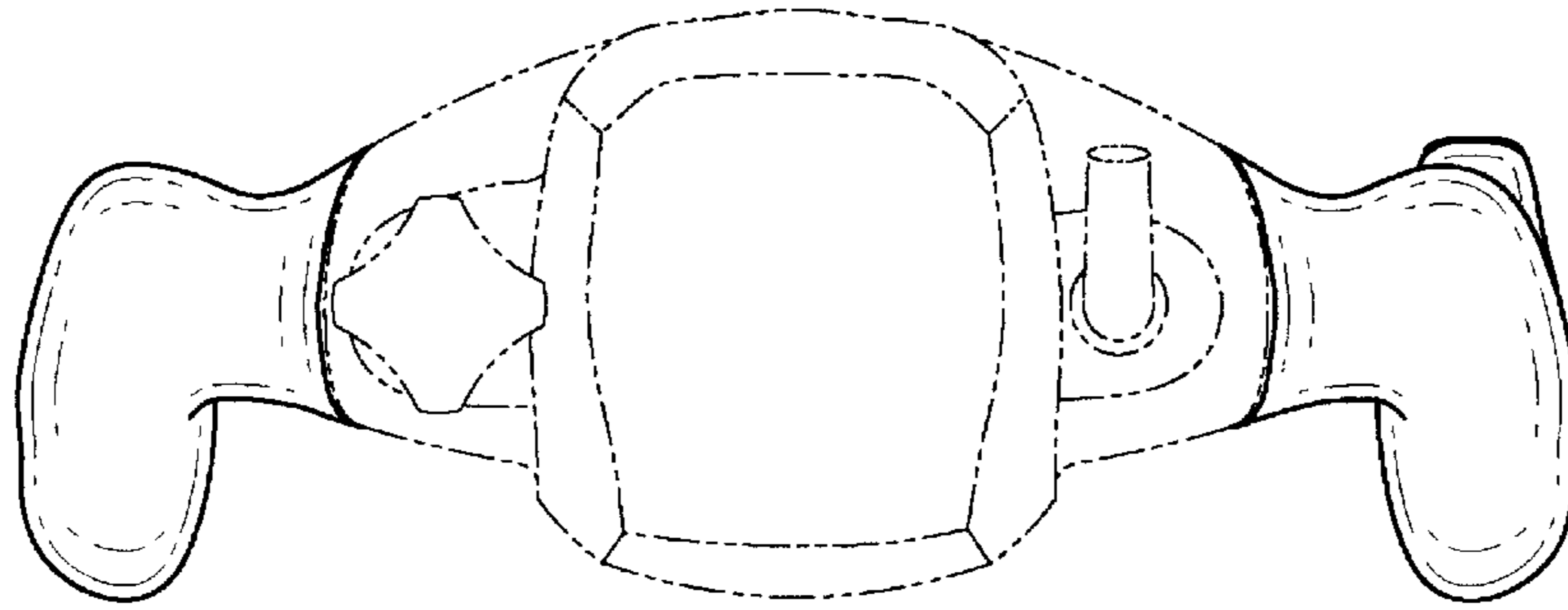


FIG. 7

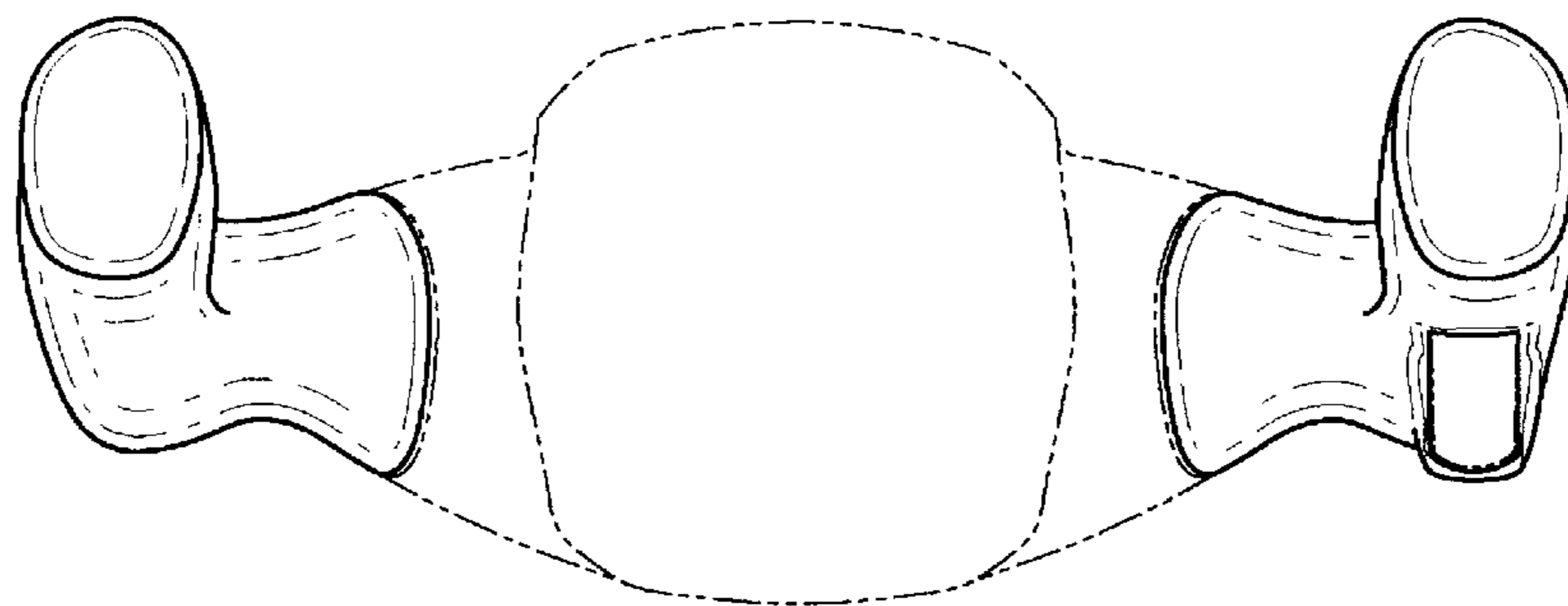


FIG. 8