



US00D536230S

(12) **United States Design Patent**  
**Dufour**

(10) **Patent No.:** **US D536,230 S**

(45) **Date of Patent:** **\*\* Feb. 6, 2007**

(54) **HAND SAW**

(75) Inventor: **Severin Dufour**, Rillieux (FR)

(73) Assignee: **Ultradiam**, Roanne (FR)

(\*\*) Term: **14 Years**

(21) Appl. No.: **29/231,799**

(22) Filed: **Jun. 10, 2005**

(30) **Foreign Application Priority Data**

Dec. 10, 2004 (EM) ..... 000272653-0001

(51) **LOC (8) Cl.** ..... **08-03**

(52) **U.S. Cl.** ..... **D8/96**

(58) **Field of Classification Search** ..... D8/95,  
D8/96, 97, 98, 99, 107; 30/509, 511, 513,  
30/514, 507, 517, 518

See application file for complete search history.

(56) **References Cited**

**U.S. PATENT DOCUMENTS**

D245,754 S *	9/1977	Breger	.....	D8/96
4,592,145 A *	6/1986	Egan et al.	.....	30/507
D318,006 S *	7/1991	Wanner et al.	.....	D8/96
5,388,333 A *	2/1995	Chen	.....	30/508
D370,610 S *	6/1996	Neyton	.....	D8/96
D409,892 S *	5/1999	Juhlin	.....	D8/96

D472,445 S *	4/2003	Juhlin et al.	.....	D8/96
D475,600 S *	6/2003	Huang	.....	D8/96
D477,519 S *	7/2003	Seloron	.....	D8/96
D477,981 S *	8/2003	Snider	.....	D8/96
D486,372 S *	2/2004	Chen	.....	D8/96
2005/0044731 A1 *	3/2005	Ranieri	.....	30/513

\* cited by examiner

*Primary Examiner*—Philip S. Hyder

(74) *Attorney, Agent, or Firm*—Young & Thompson

(57) **CLAIM**

The ornamental design for a hand saw, as shown and described.

**DESCRIPTION**

FIG. 1 is a front elevational view of a hand saw, showing my new design;

FIG. 2 is a side elevational view thereof from the left of FIG. 1;

FIG. 3 is a side elevational view thereof from the right of FIG. 2;

FIG. 4 is a top plan view thereof;

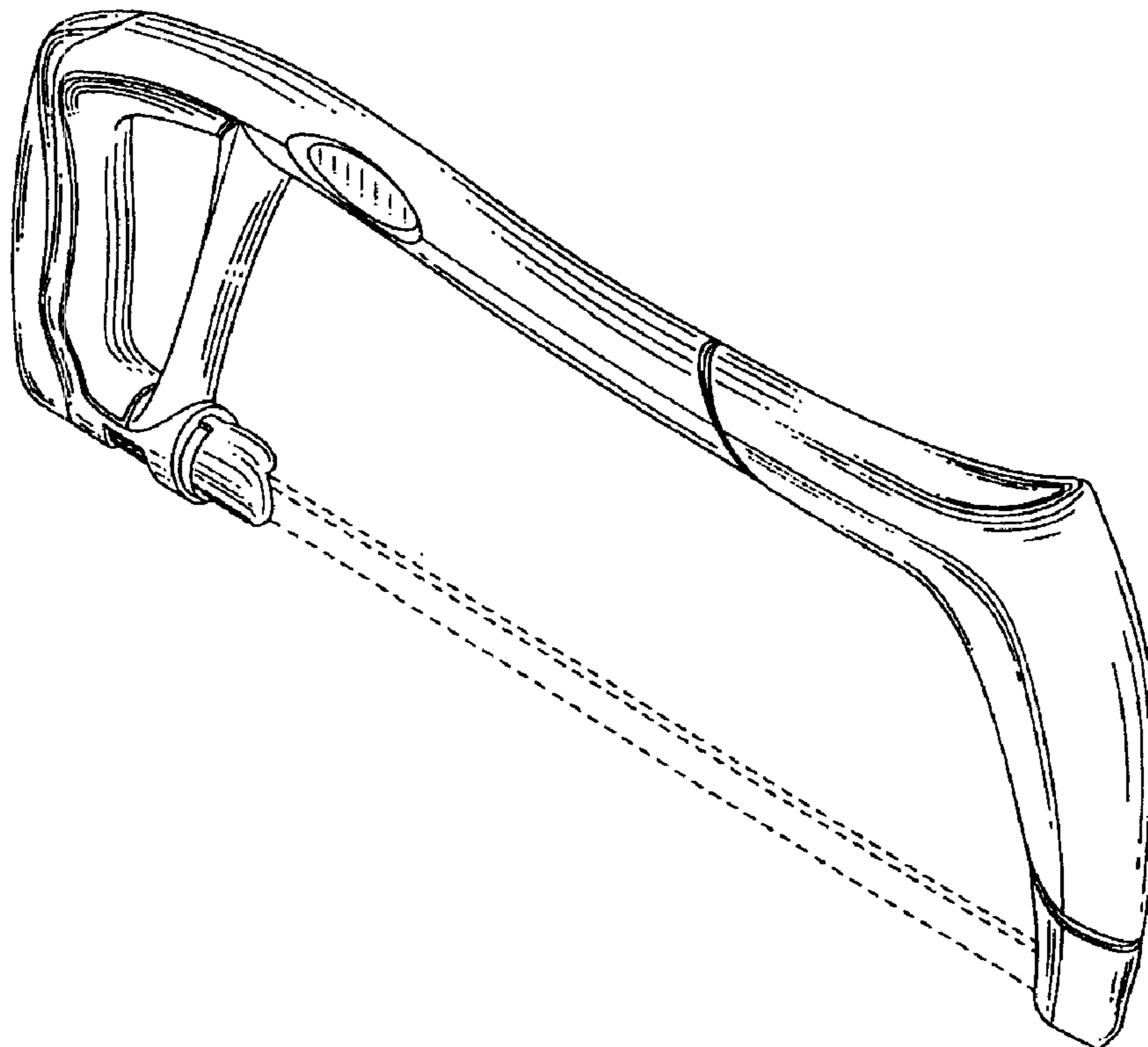
FIG. 5 is a bottom plan view thereof;

FIG. 6 is a rear elevational view thereof; and,

FIG. 7 is a perspective view thereof.

The broken line showing of the blade is for illustrative purposes only and forms no part of the claimed design.

**1 Claim, 7 Drawing Sheets**



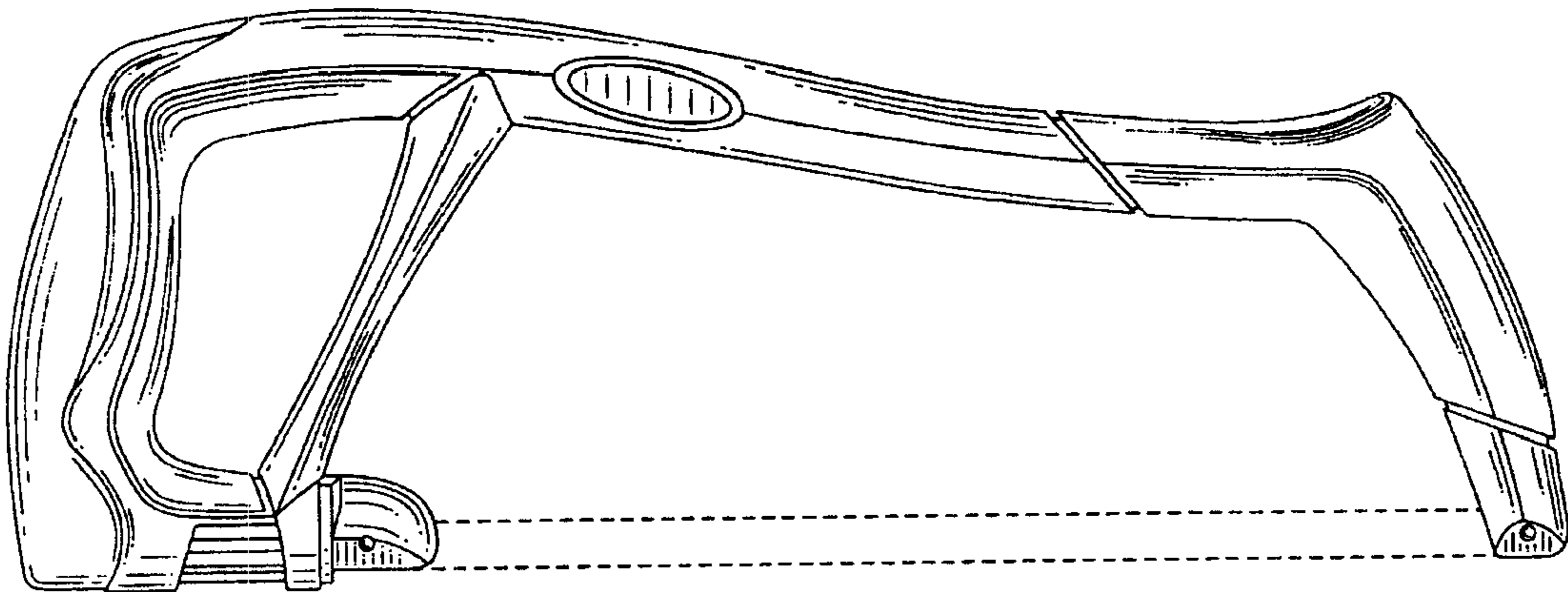


Fig.1



Fig.2



Fig.3

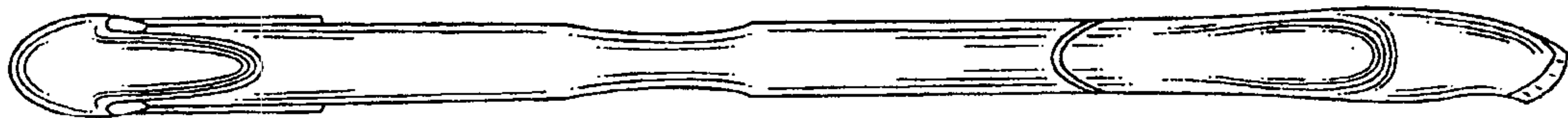


Fig.4

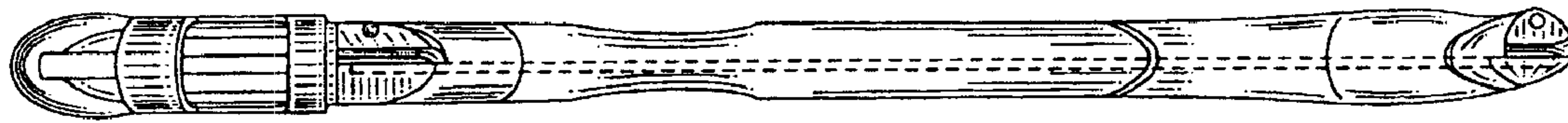


Fig.5

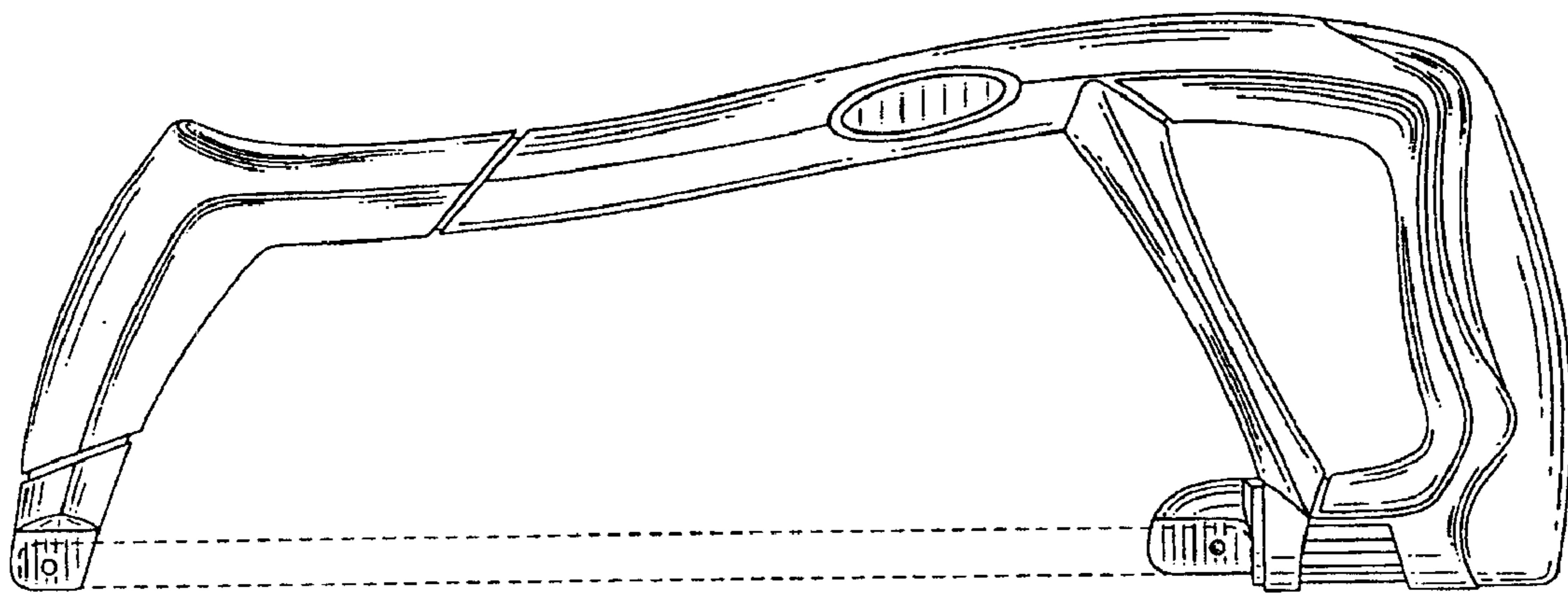


Fig.6

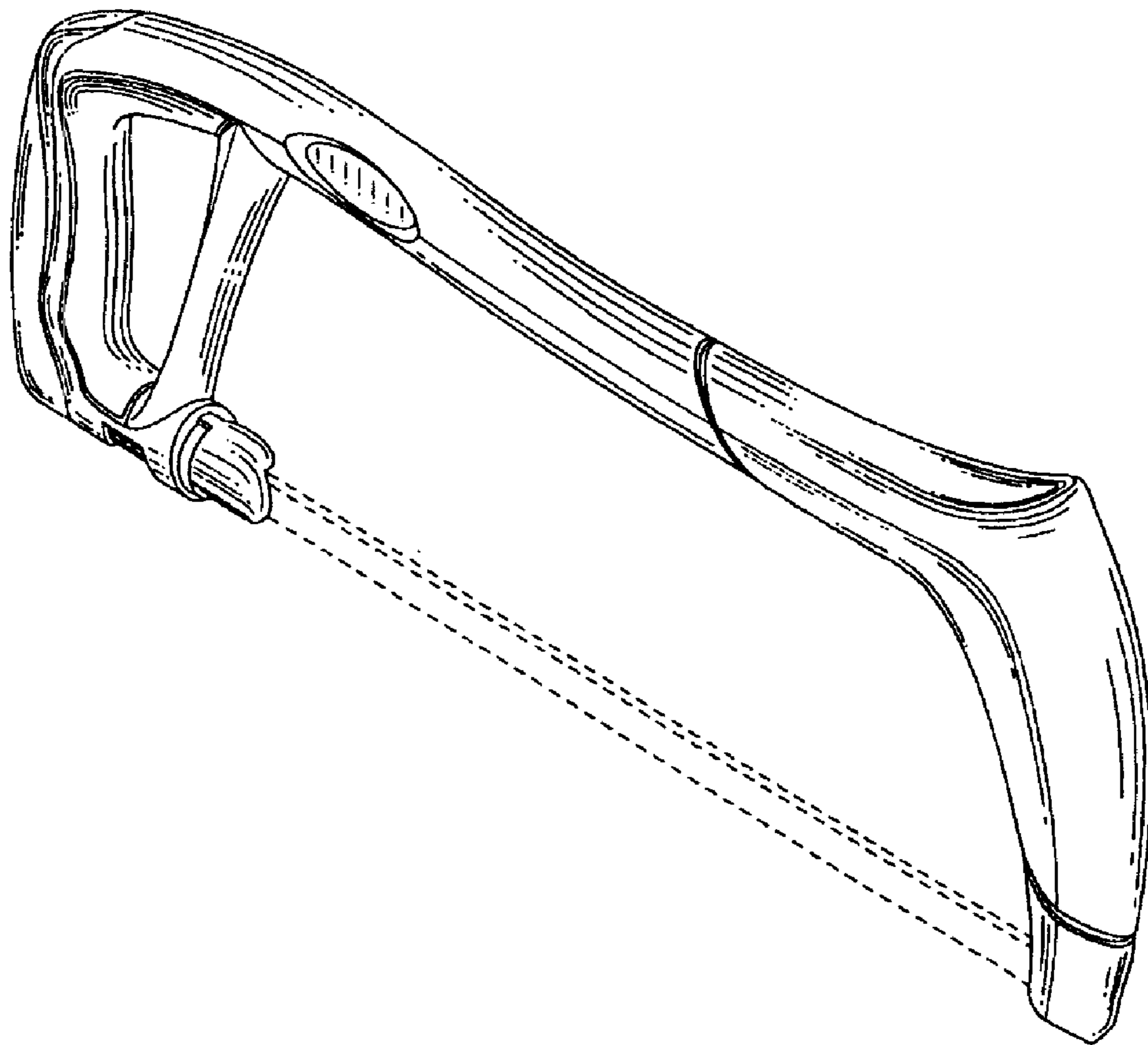


Fig.7