



US00D536229S

(12) **United States Design Patent** (10) **Patent No.:** **US D536,229 S**
Clark et al. (45) **Date of Patent:** **** Feb. 6, 2007**

(54) **GROUND ROD CLAMP**

(75) Inventors: **Reuben E. Clark**, Cary, NC (US);
Gary K. Weise, San Juan Capistrano,
CA (US)

(73) Assignee: **Consolidated Manufacturing
International, LLC**, Raleigh, NC (US)

(**) Term: **14 Years**

(21) Appl. No.: **29/217,118**

(22) Filed: **Nov. 12, 2004**

(51) **LOC (8) Cl.** **08-02**

(52) **U.S. Cl.** **D8/72**

(58) **Field of Classification Search** D8/72,
D8/73, 74, 394, 388, 59; 269/60, 65, 246,
269/76, 97; 439/810, 411, 800, 100, 795,
439/793; 411/300; 81/487

See application file for complete search history.

(56) **References Cited**

U.S. PATENT DOCUMENTS

1,505,314	A	*	8/1924	Cox	439/800
1,675,163	A	*	6/1928	Colburn	439/100
2,114,752	A	*	4/1938	Tallman	439/795
2,210,750	A	*	8/1940	Cook et al.	439/793
D188,377	S	*	7/1960	Martin	D8/394
D200,009	S	*	1/1965	Janik et al.	D8/59
D200,176	S	*	1/1965	Franck et al.	D8/59
3,836,941	A	*	9/1974	Izraeli	439/810
4,526,437	A	*	7/1985	Kies	439/810
5,138,917	A	*	8/1992	Kirschner	81/487
5,494,462	A	*	2/1996	Auclair	439/810
5,863,035	A	*	1/1999	Howell	269/246

OTHER PUBLICATIONS

Thomas & Betts Corporation Catalog, Ground Rod Claims and Ground Rod Accessories, 2002.

Penn-Union Corp. Catalog, Bronze Ground Rod Clamps—Types CAB & CEB.

* cited by examiner

Primary Examiner—Louis Zarfes

Assistant Examiner—David Muller

(74) *Attorney, Agent, or Firm*—Alston & Bird LLP

(57) **CLAIM**

The ornamental design for a ground rod clamp, as shown and described.

DESCRIPTION

FIG. 1 is a perspective view of the ground rod clamp;

FIG. 2 is a front view of the ground rod clamp;

FIG. 3 is a rear view of the ground rod clamp;

FIG. 4 is a right side view of the ground rod clamp;

FIG. 5 is a left side view of the ground rod clamp;

FIG. 6 is a top view of the ground rod clamp;

FIG. 7 is a bottom view of the ground rod clamp;

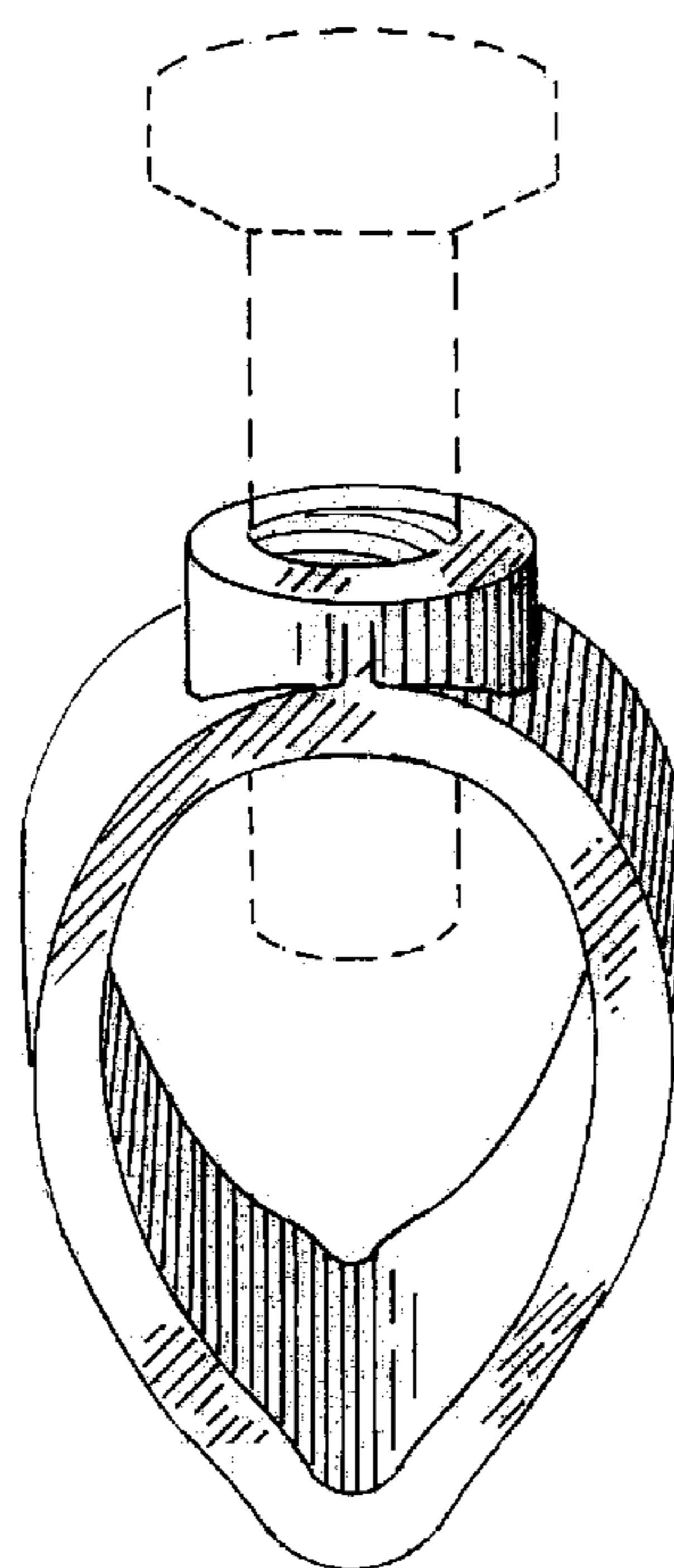
FIG. 8 is a perspective view of the ground rod clamp without a screw;

FIG. 9 is a front view of the ground rod clamp without a screw; and,

FIG. 10 is a top view of the ground rod clamp without a screw.

The broken line showing of the screw is for illustrative purposes only and forms no part of the claimed design.

1 Claim, 6 Drawing Sheets



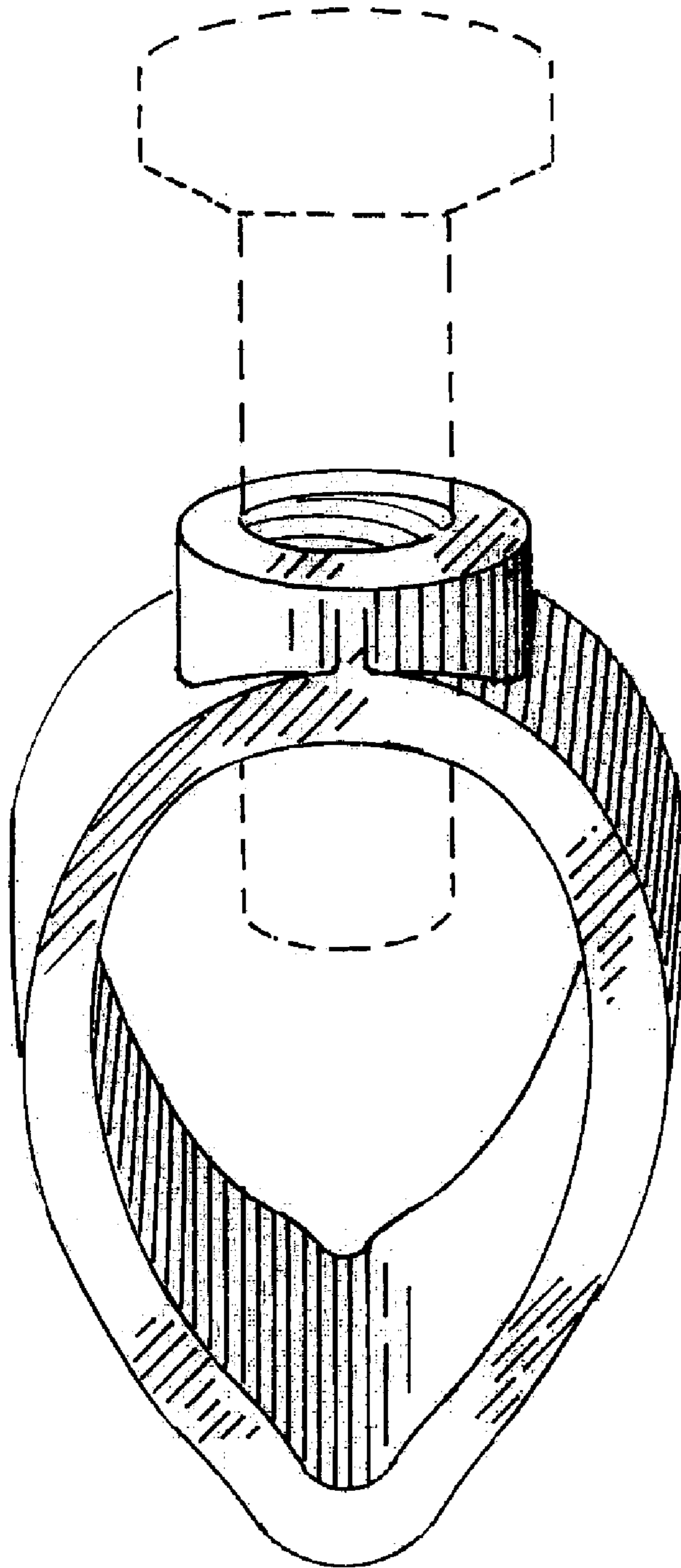


FIG. 1

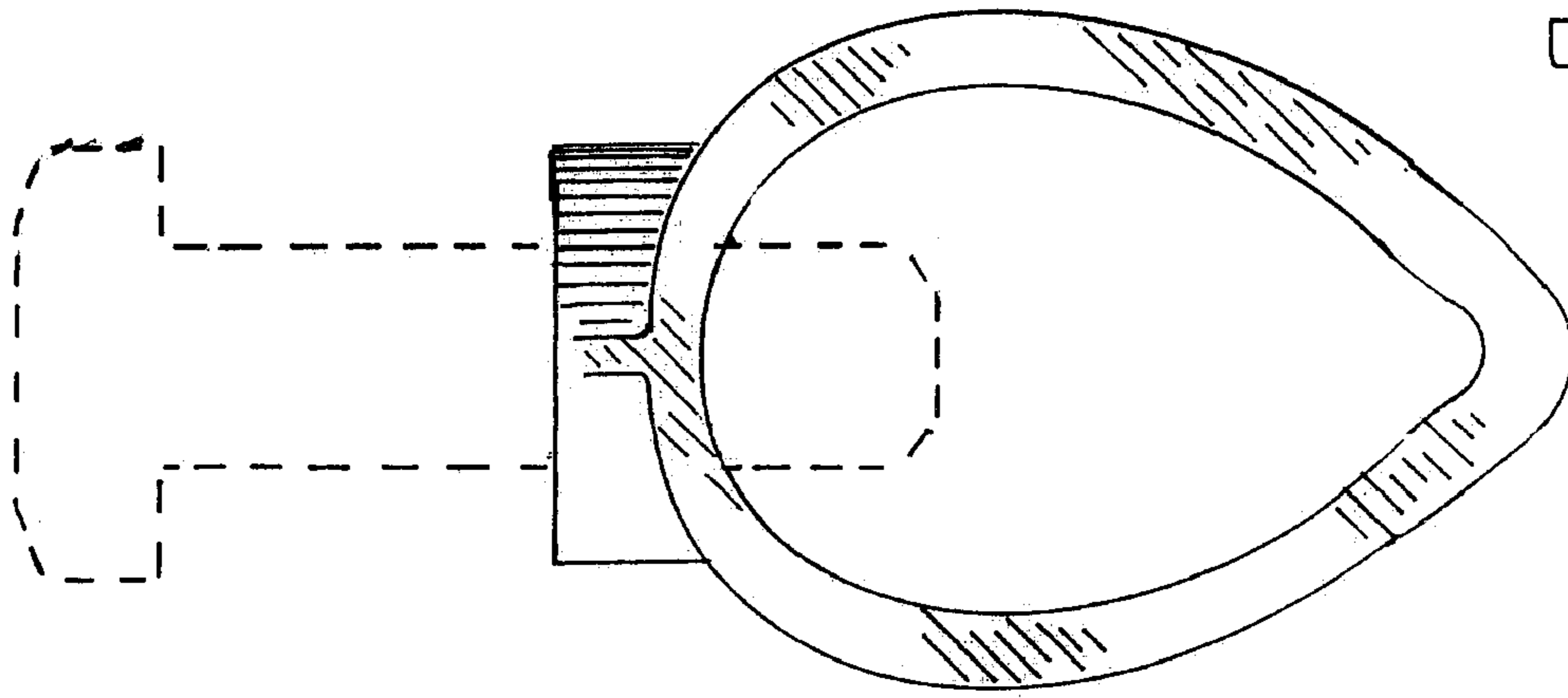


FIG. 3

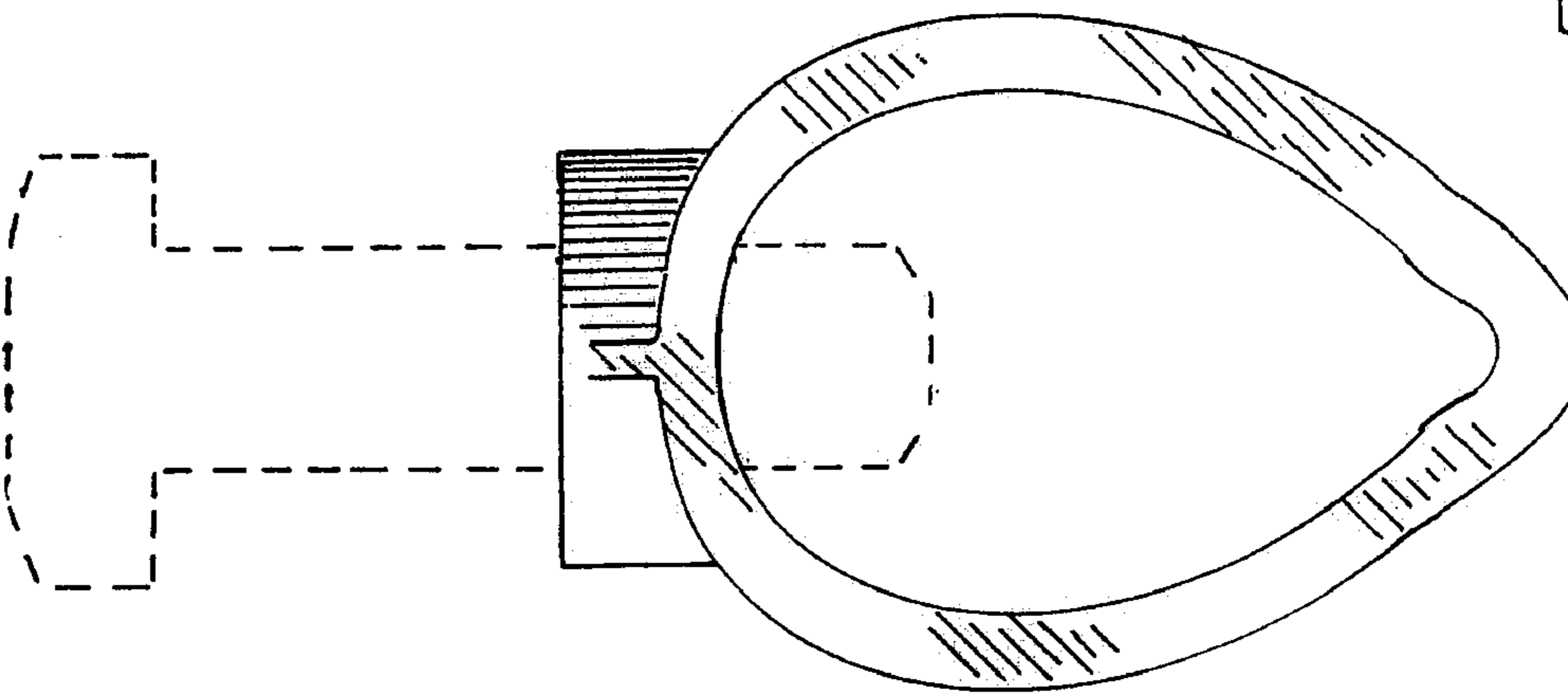


FIG. 2

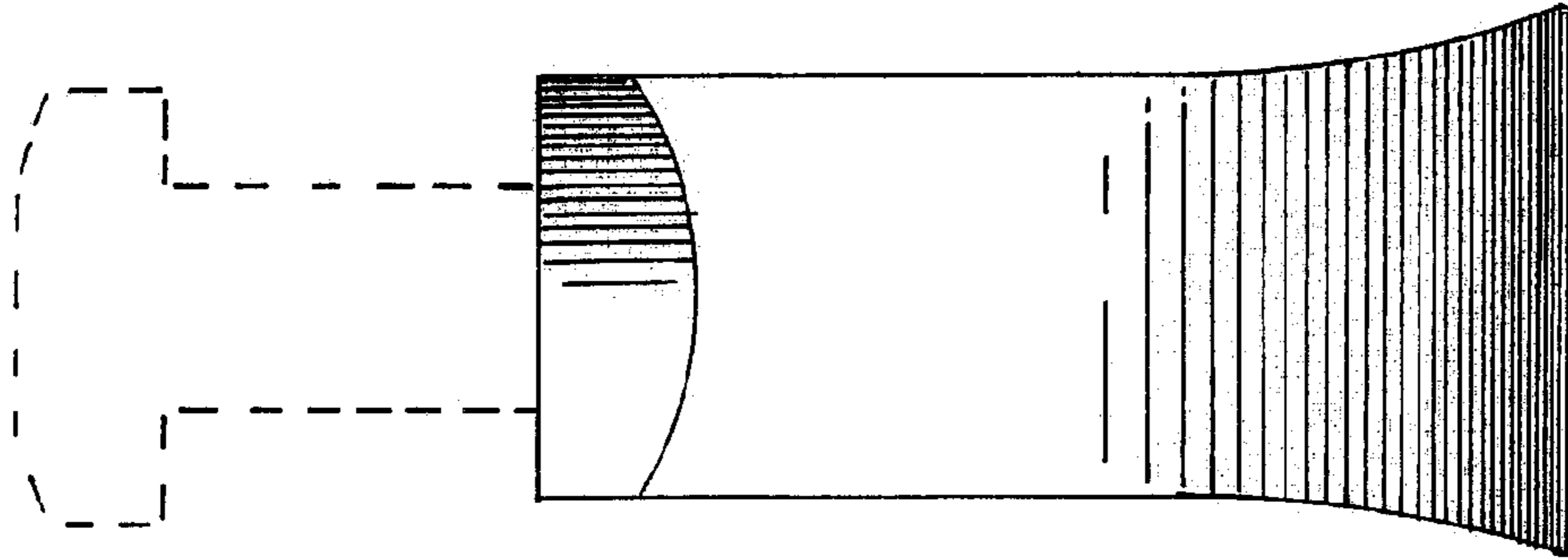


Fig. 5

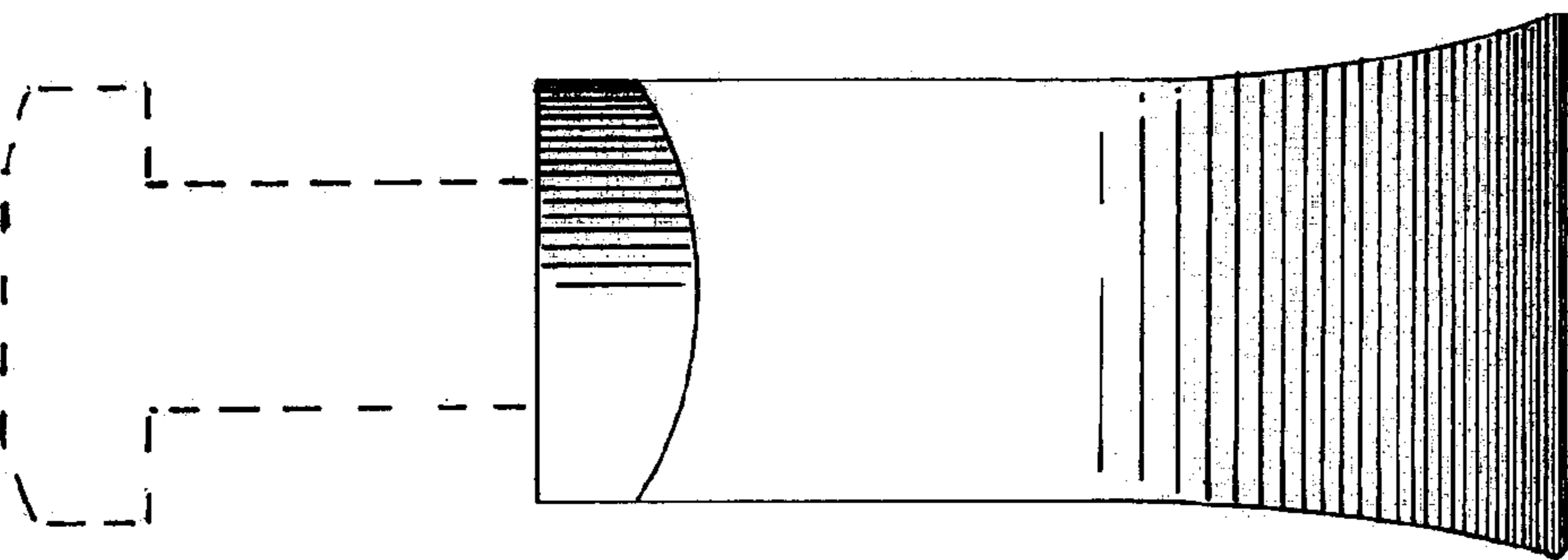


Fig. 4

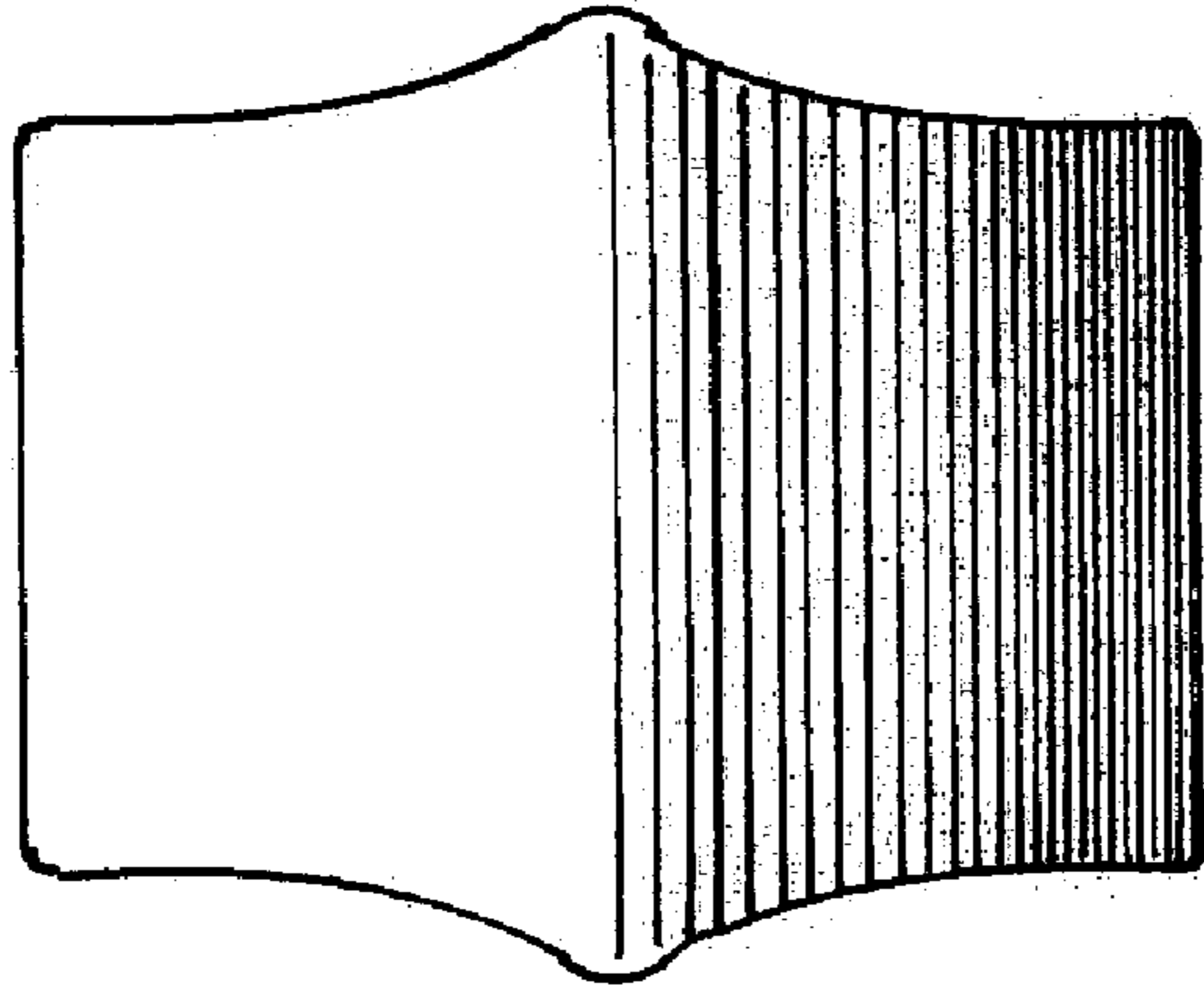


Fig. 7

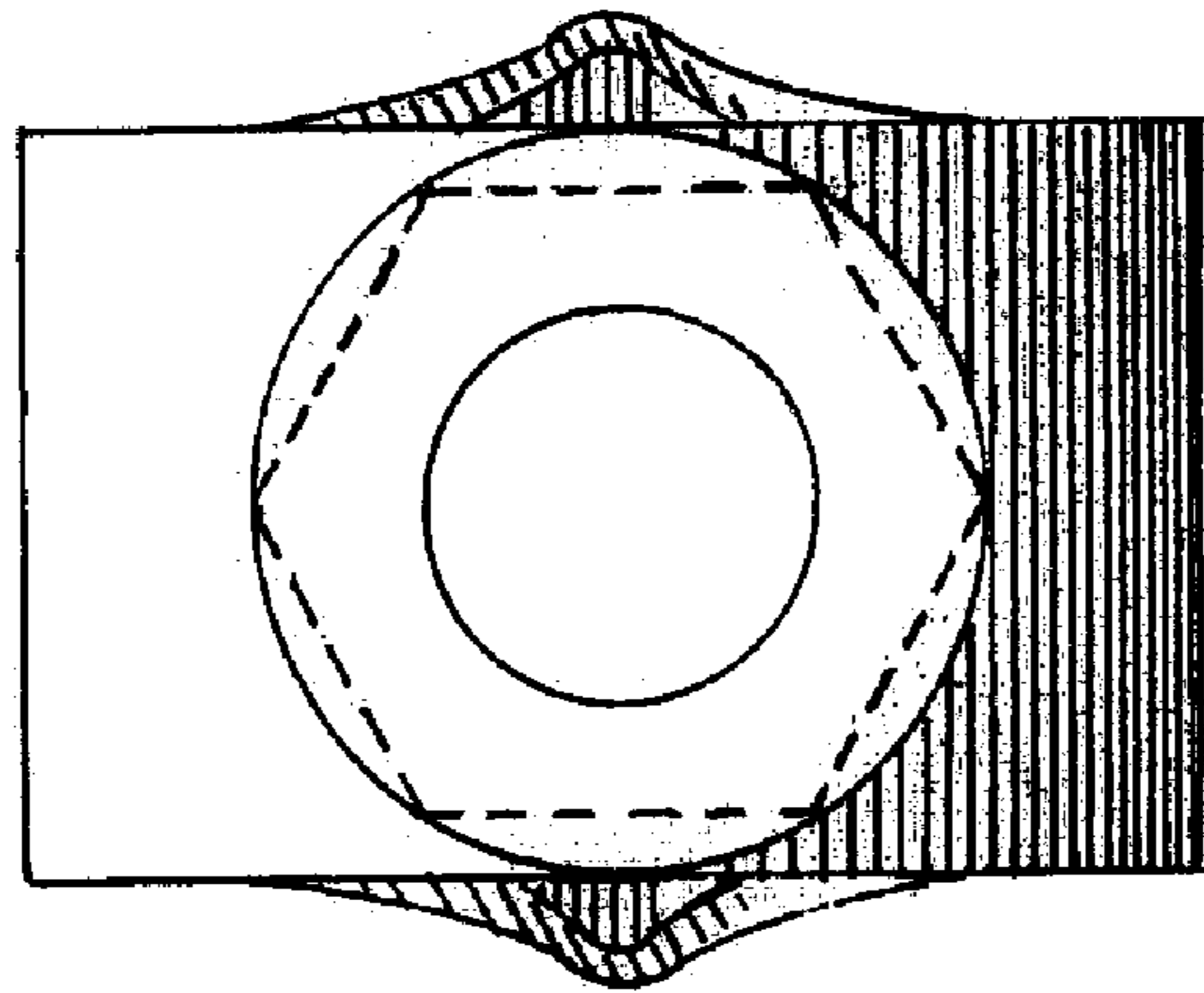


Fig. 6

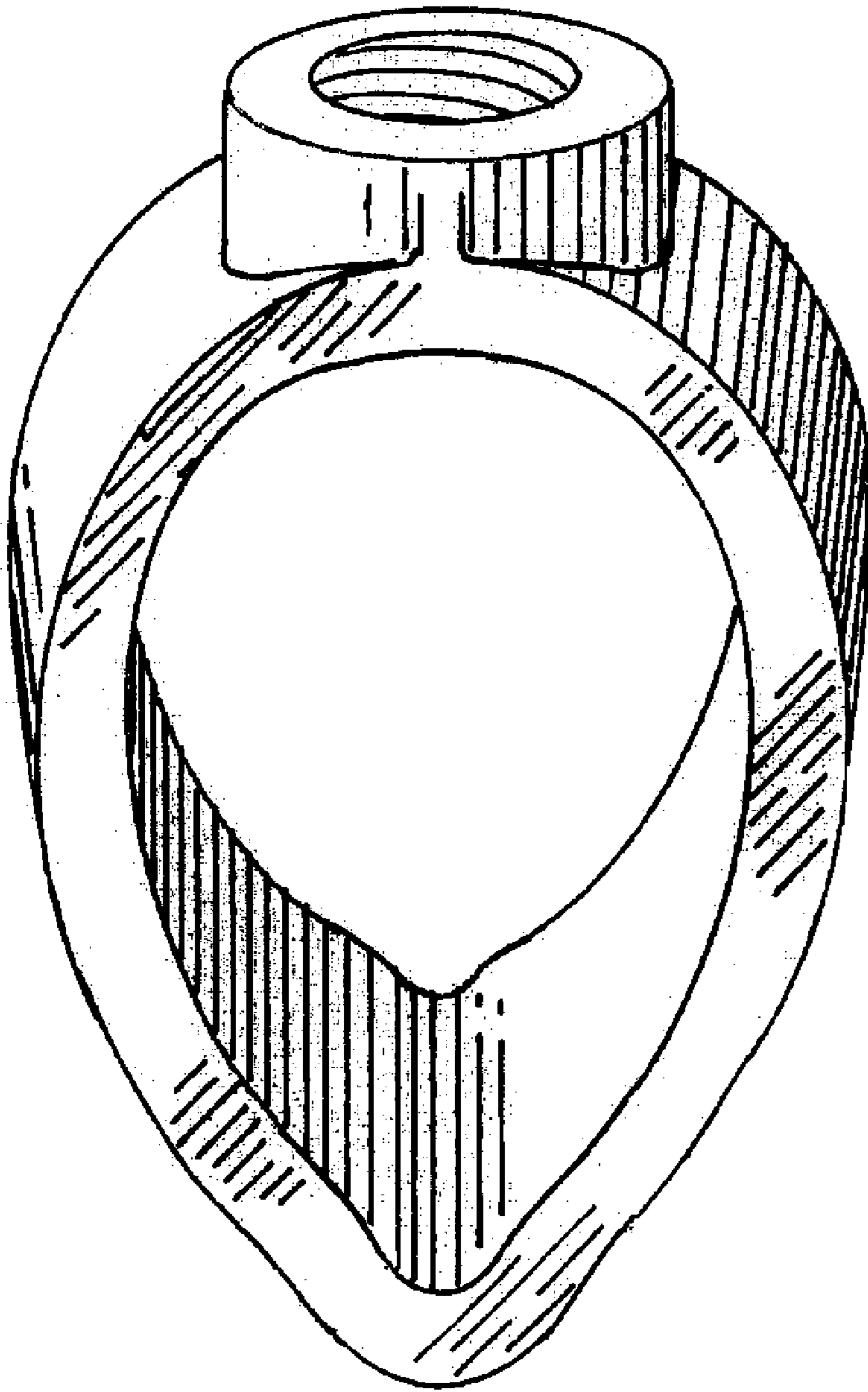


FIG . 8

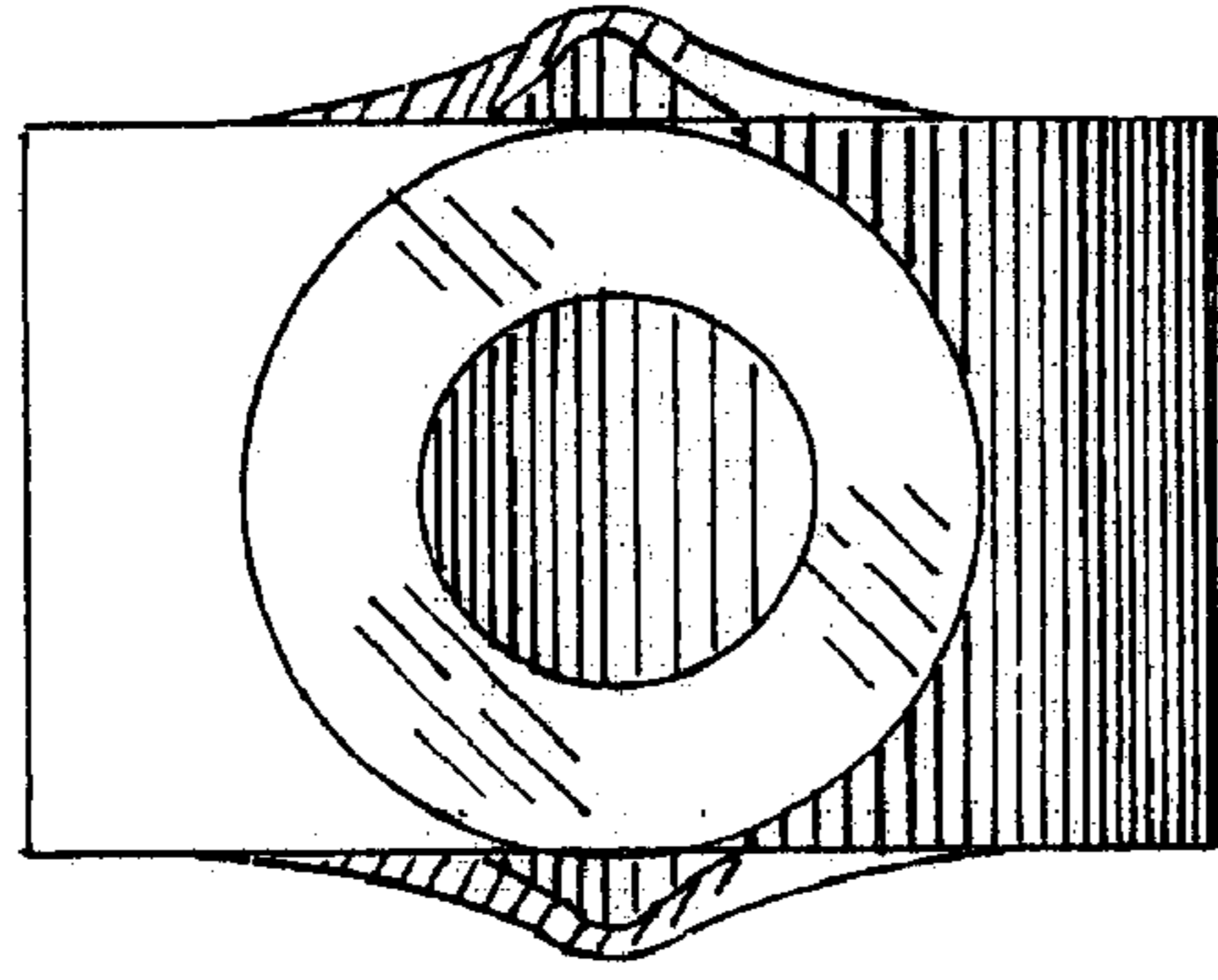


Fig. 9

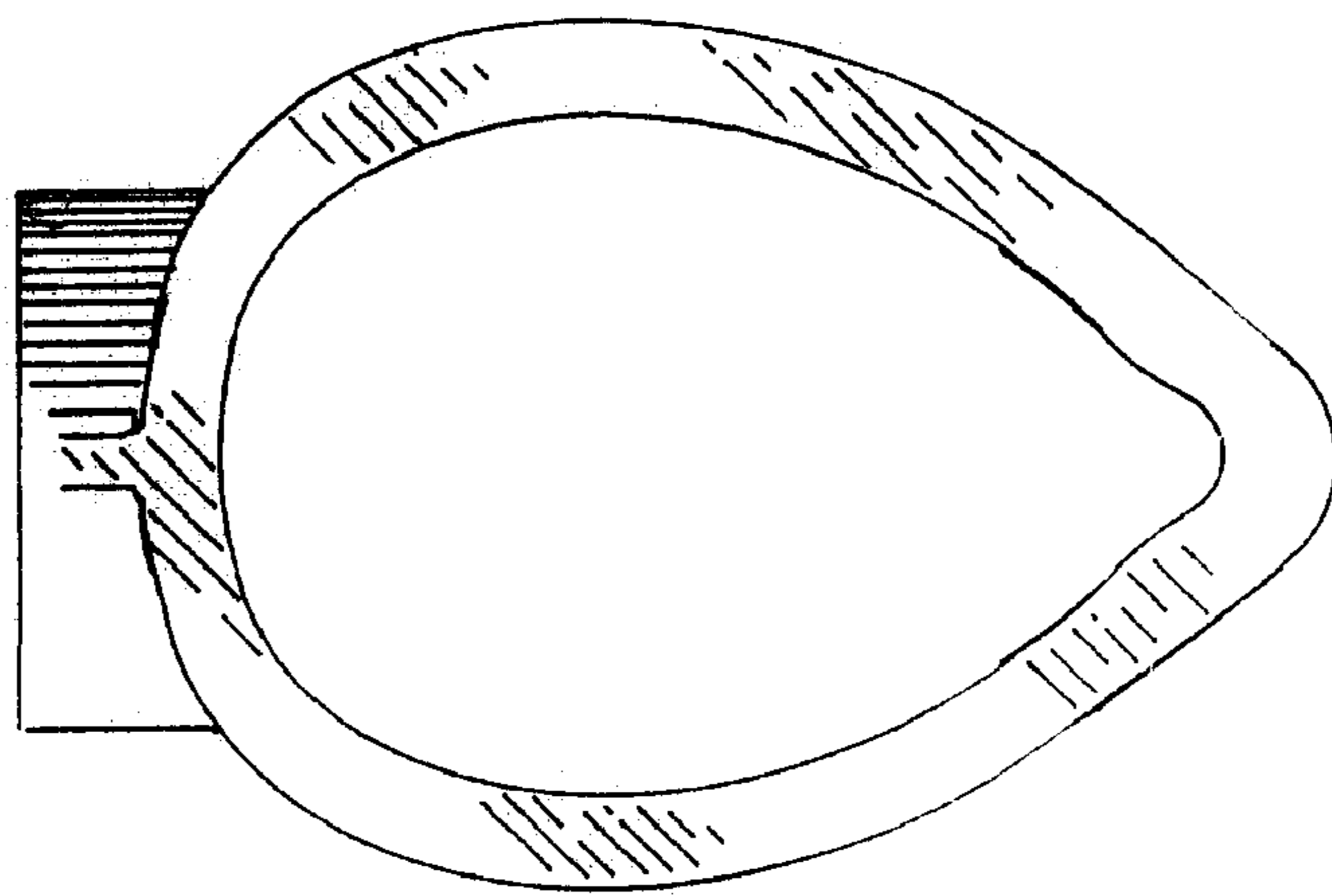


Fig. 10