



US00D536227S

(12) **United States Design Patent**  
**Loeser**

(10) **Patent No.:** **US D536,227 S**

(45) **Date of Patent:** **\*\* Feb. 6, 2007**

(54) **TREE SKIRT LIFTER**

(76) **Inventor:** **Kenneth N. Loeser**, 5309 W. Monroe Rd., Pentwater, MI (US) 49449

(\*\*) **Term:** **14 Years**

(21) **Appl. No.:** **29/211,879**

(22) **Filed:** **Aug. 23, 2004**

(51) **LOC (8) Cl.** ..... **08-01**

(52) **U.S. Cl.** ..... **D8/14**

(58) **Field of Classification Search** ..... D8/14;  
294/19.1, 15

See application file for complete search history.

(56) **References Cited**

**U.S. PATENT DOCUMENTS**

D412,270 S \* 7/1999 Fredrickson ..... D8/14  
D437,752 S \* 2/2001 Fredrickson ..... D8/14

\* cited by examiner

*Primary Examiner*—Holly Baynham

(74) *Attorney, Agent, or Firm*—Joseph H. Taddeo

(57) **CLAIM**

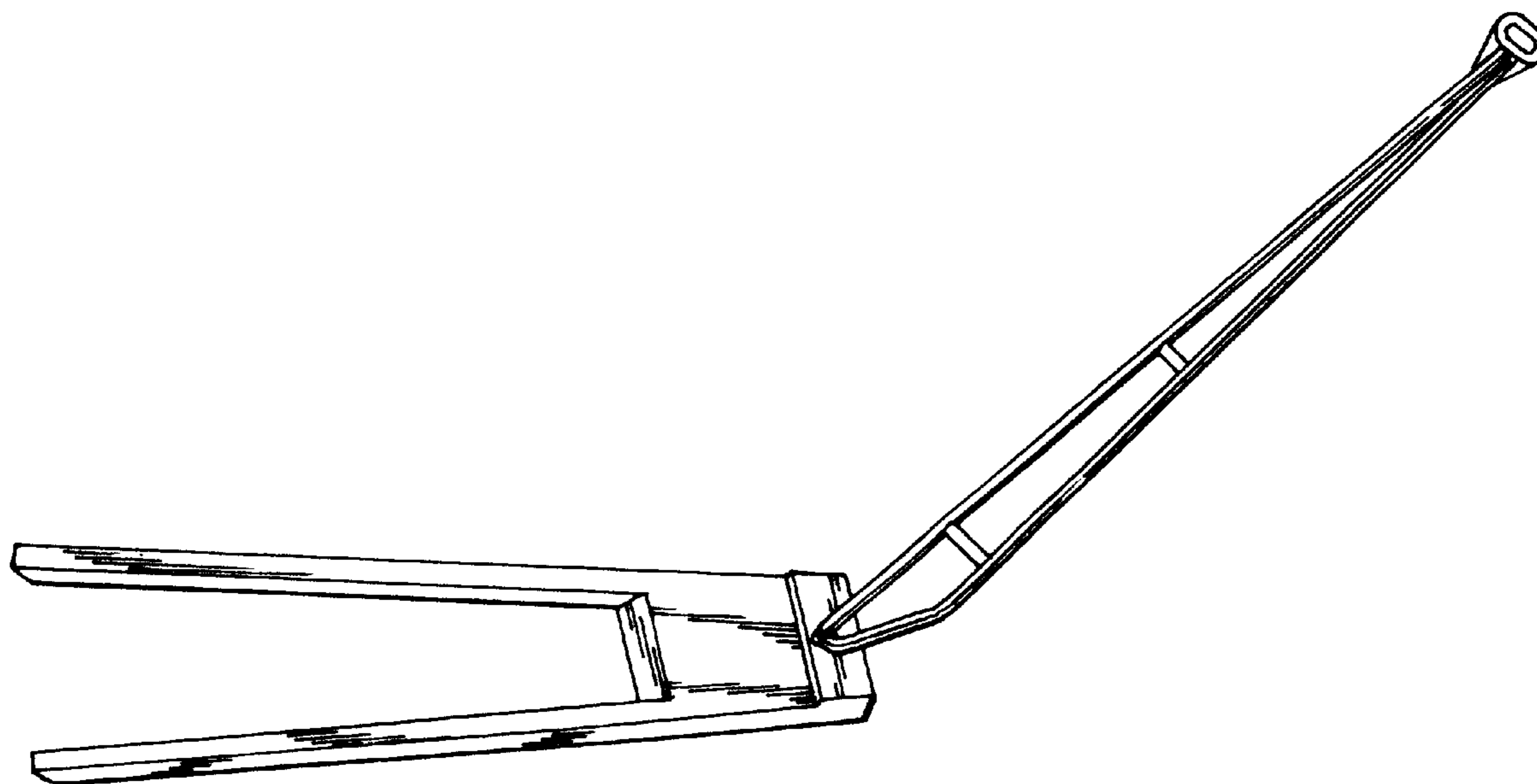
The ornamental design for a tree skirt lifter, as shown and described.

**DESCRIPTION**

FIG. 1 is a back view of the invention in use;  
FIG. 2 is a ¾ perspective view of the invention;  
FIG. 3 is a left side view of the invention;  
FIG. 4 is a right side view of the invention;  
FIG. 5 is a top view of the invention;  
FIG. 6 is a bottom view of the invention;  
FIG. 7 is a front view of the invention; and,  
FIG. 8 is a back view of the invention.

The broken line showing is for illustrative purposes only and forms no part of the claimed design.

**1 Claim, 3 Drawing Sheets**



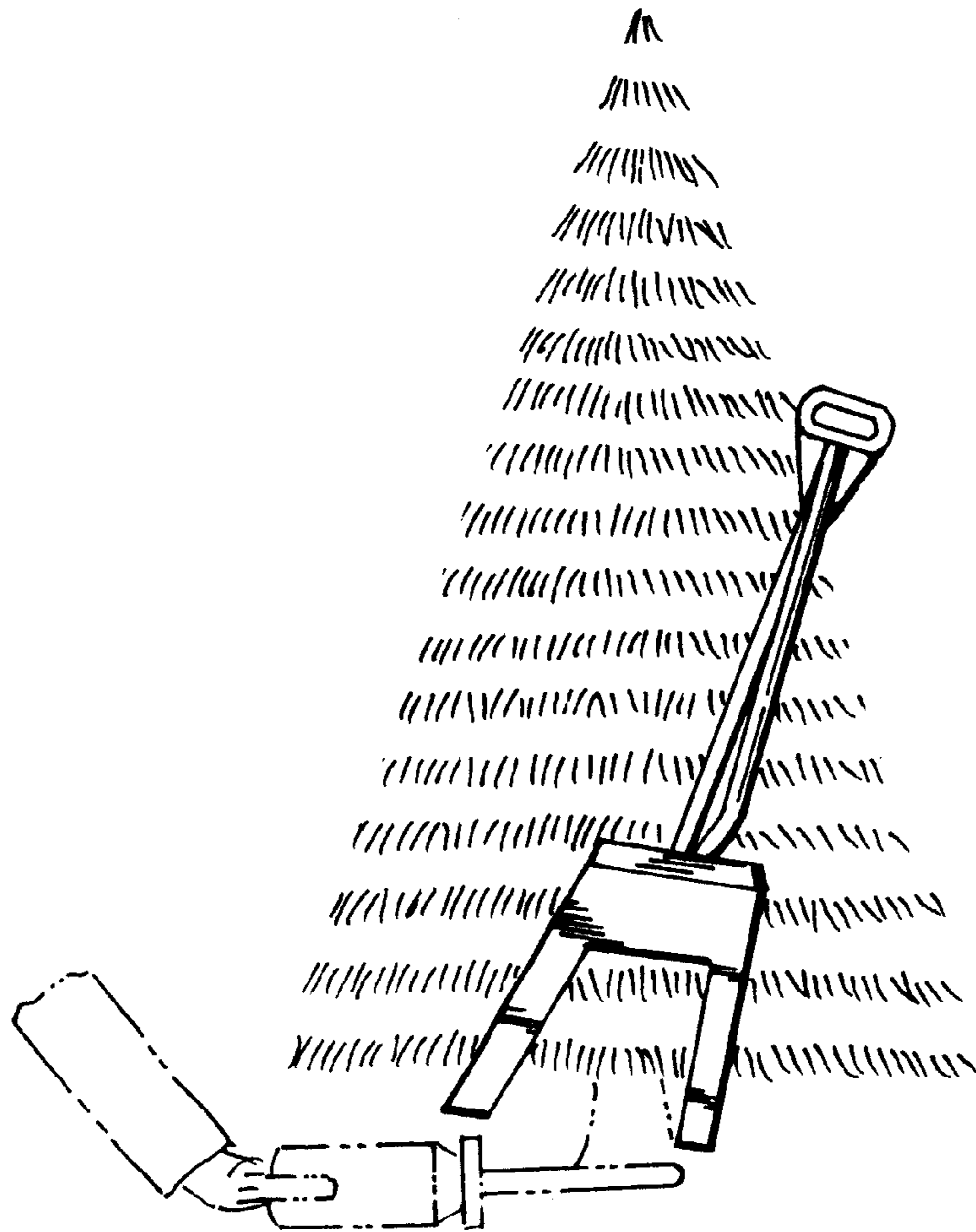


FIG. 1

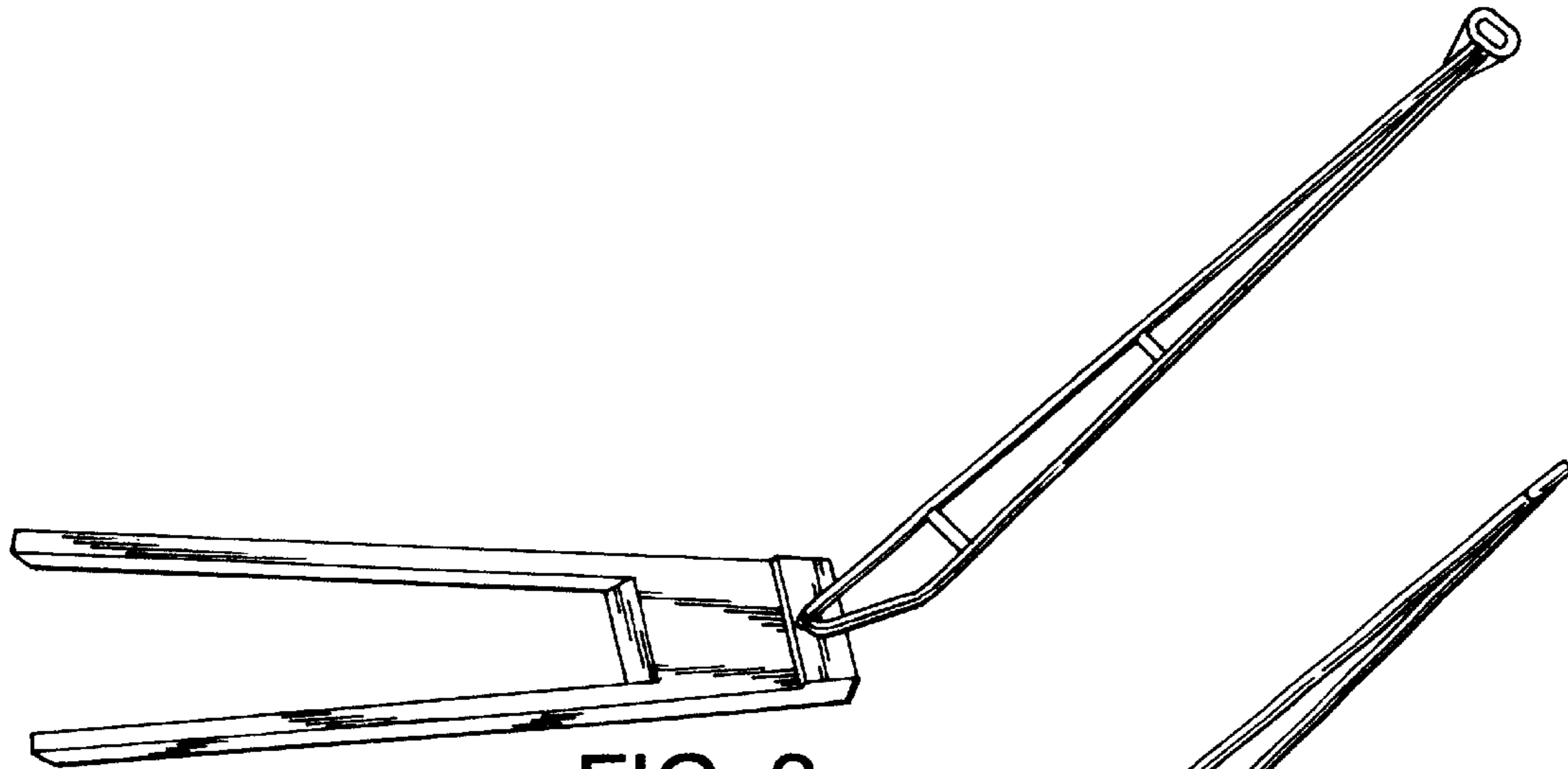


FIG. 2

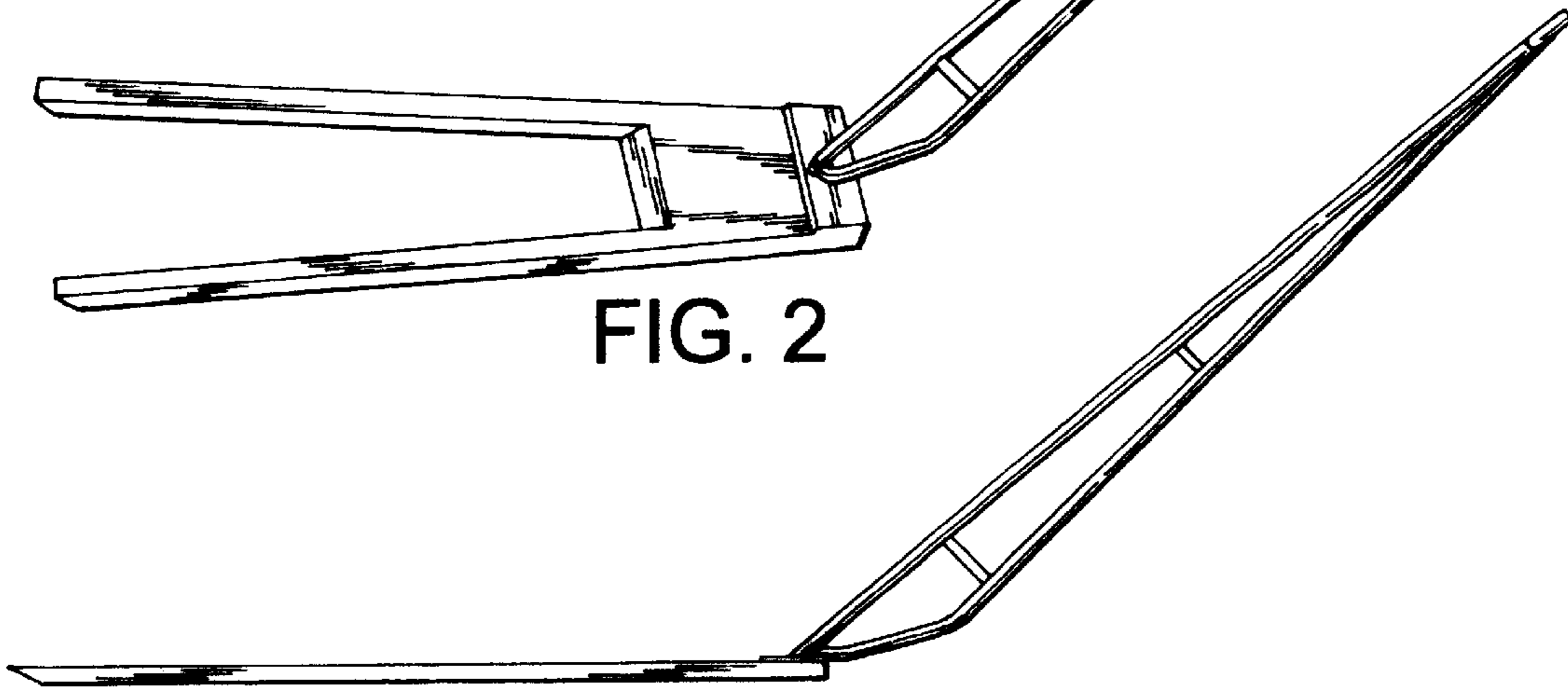


FIG. 3

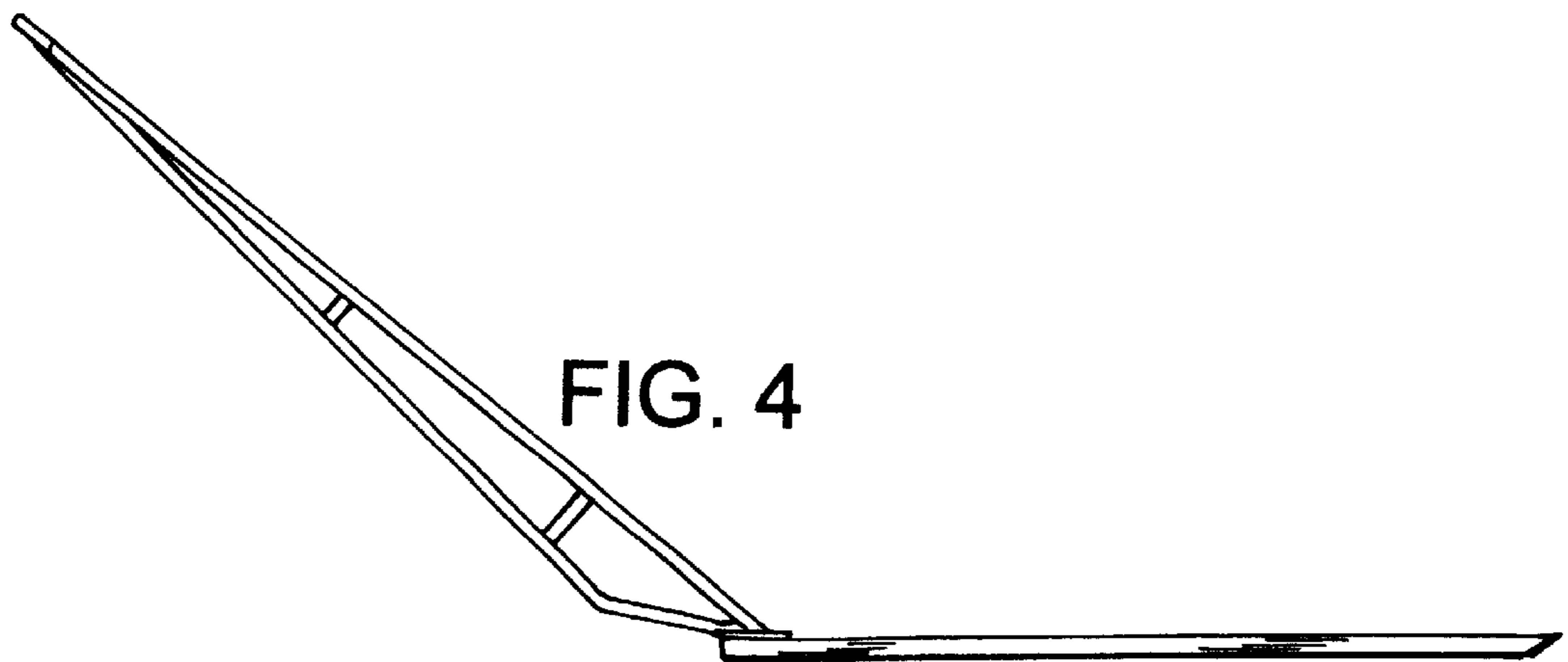


FIG. 4

