

US00D536224S

(12) **United States Design Patent**
Berger et al.

(10) **Patent No.:** **US D536,224 S**

(45) **Date of Patent:** **** Feb. 6, 2007**

(54) **EXPANDABLE BREAD SLICER/SERVER**

(76) Inventors: **Andrew L. Berger**, Axis International Marketing 1800 S. Wolf Rd., Des Plaines, IL (US) 60018; **Linda C. Berger**, Axis International Marketing 1800 S. Wolf Rd., Des Plaines, IL (US) 60018

(**) Term: **14 Years**

(21) Appl. No.: **29/215,133**

(22) Filed: **Oct. 14, 2004**

(51) **LOC (8) Cl.** **07-04**

(52) **U.S. Cl.** **D7/673; D6/550.1; D6/698**

(58) **Field of Classification Search** D7/672, D7/673, 698, 699, 550.1, 553.1-554.2, 555, D7/557, 584-588; 83/468.2, 762, 468.7, 83/455, 763, 764; 269/13-15, 289 R, 291, 269/297, 298, 302.1, 298 MR, 315
See application file for complete search history.

(56) **References Cited**

U.S. PATENT DOCUMENTS

D135,937 S	*	7/1943	Richardson et al.	D7/673
D253,744 S	*	12/1979	Davis	D7/673
5,115,704 A	*	5/1992	Hyman	83/762
D341,298 S	*	11/1993	Ancona et al.	D7/698
D362,374 S	*	9/1995	Roach	D7/673
D388,278 S	*	12/1997	Howitt	D7/698

* cited by examiner

Primary Examiner—Terry A. Wallace

(74) *Attorney, Agent, or Firm*—Barnes & Thornburg LLP

(57) **CLAIM**

The ornamental design for an expandable bread slicer/server, as shown and described.

DESCRIPTION

FIG. 1 is a perspective view of an expandable bread slicer/server in the extended position showing my design;

FIG. 2 is a top plan view thereof;

FIG. 3 is a front side elevational view thereof;

FIG. 4 is a rear side elevational view thereof;

FIG. 5 is a bottom plan view thereof;

FIG. 6 is a right side elevational view thereof;

FIG. 7 is a left side elevational view thereof;

FIG. 8 is a perspective view of an expandable bread slicer/server in the retracted position;

FIG. 9 is a top plan elevational view thereof;

FIG. 10 is a front side elevational view thereof;

FIG. 11 is a rear side elevational view thereof;

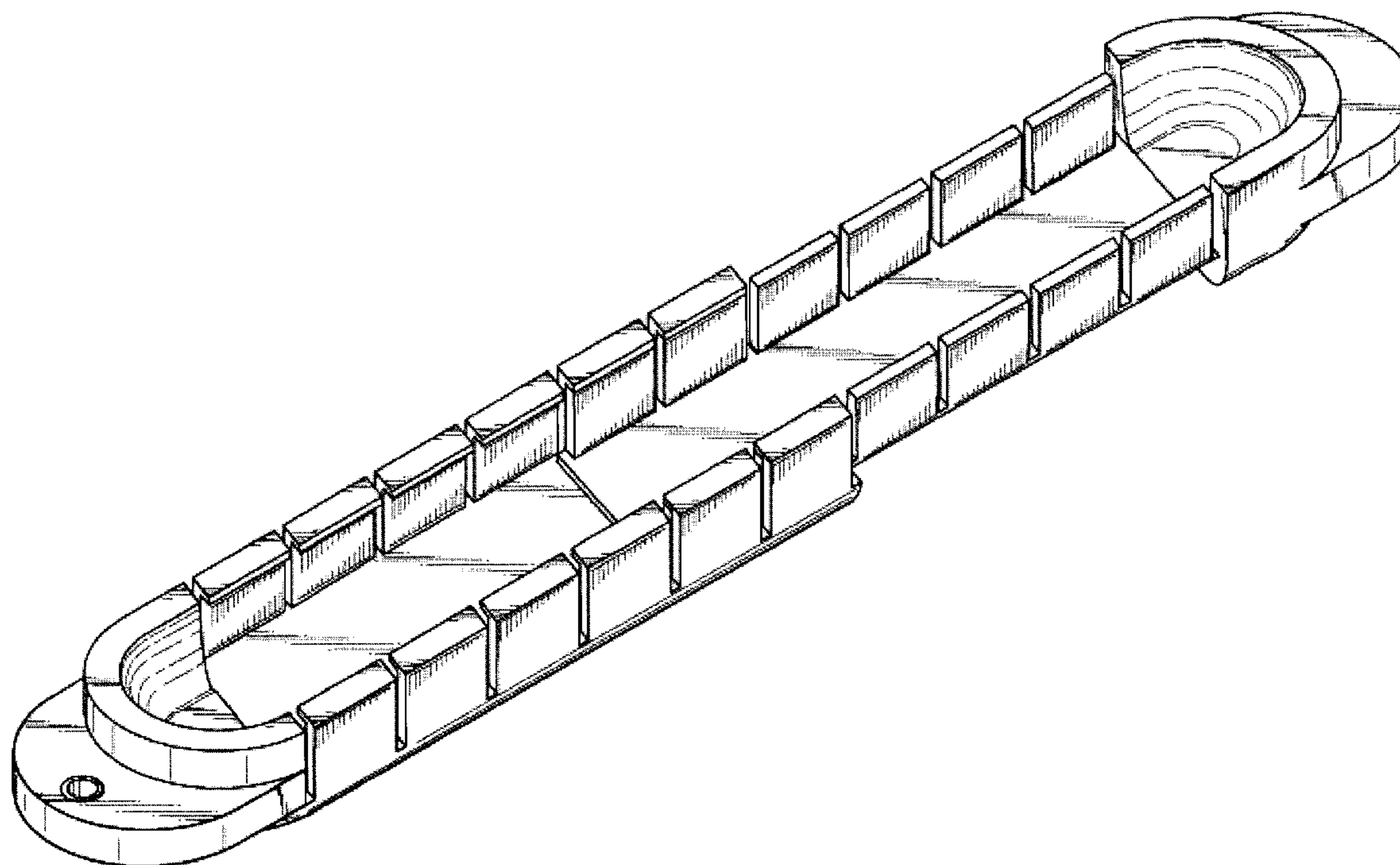
FIG. 12 is a bottom plan view thereof;

FIG. 13 is a right side elevational view thereof;

FIG. 14 is a left side elevational view thereof; and,

FIG. 15 is a perspective view of an expandable bread slicer/server showing a second embodiment of the design, the sole difference being the appearance and shape of the cutting guides (slots) lent by the incorporation of brushes located in a normal position to the cutting guides (slots).

1 Claim, 6 Drawing Sheets



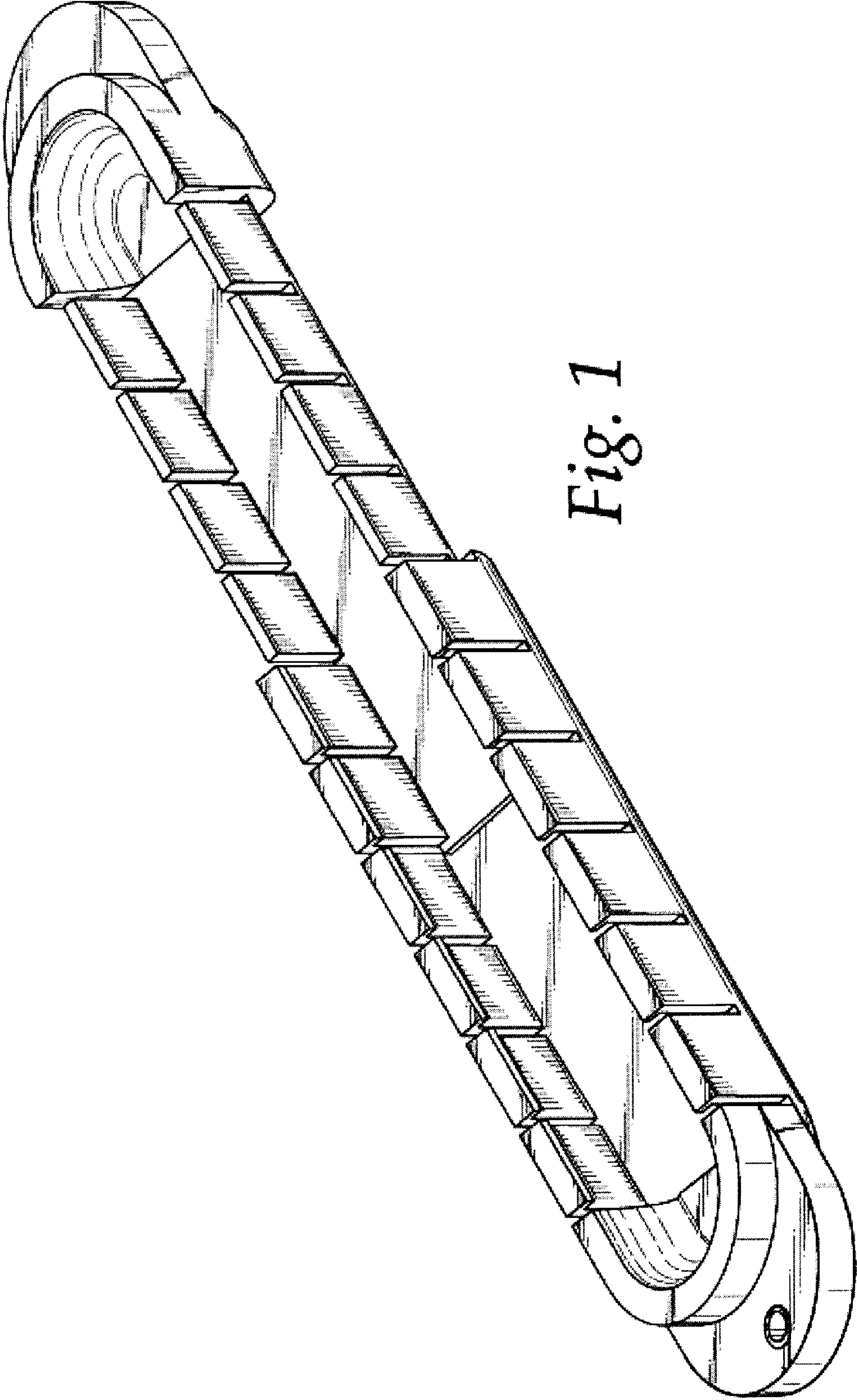


Fig. 1

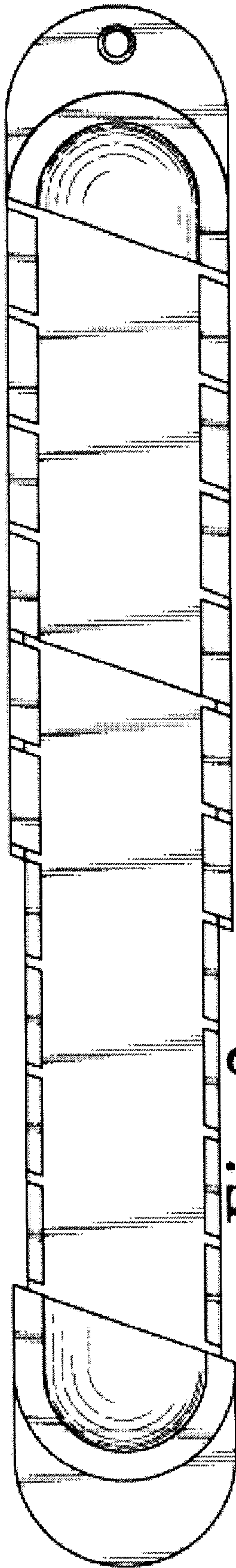


Fig. 2

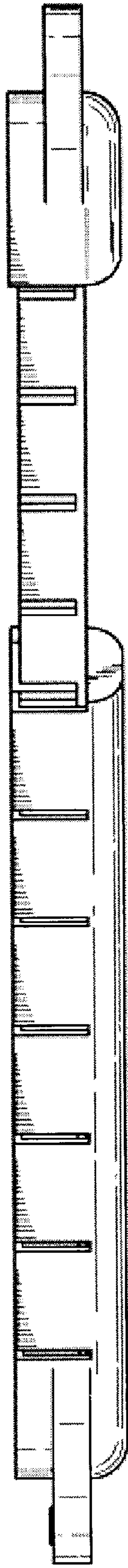


Fig. 3

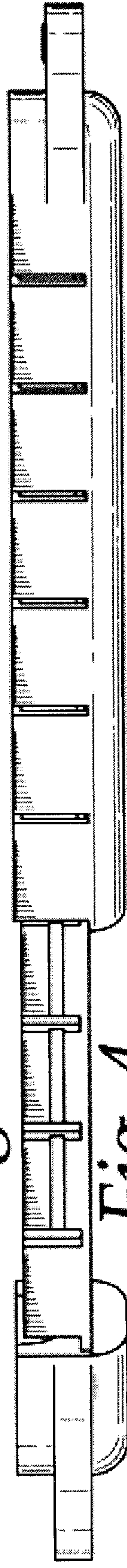


Fig. 4

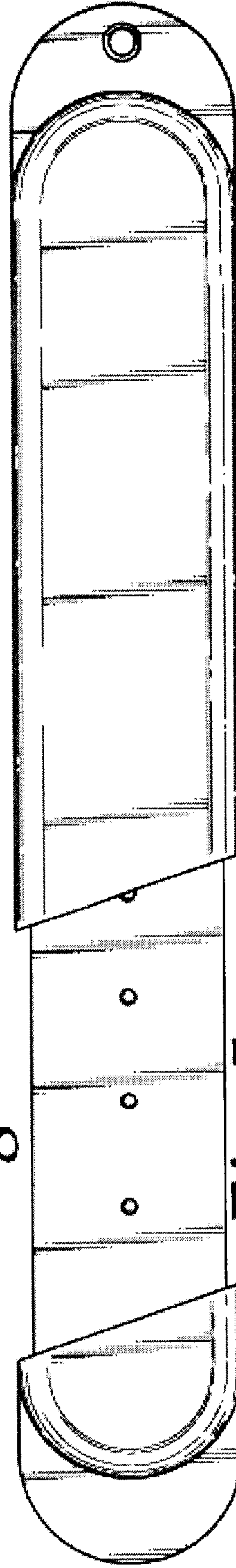


Fig. 5

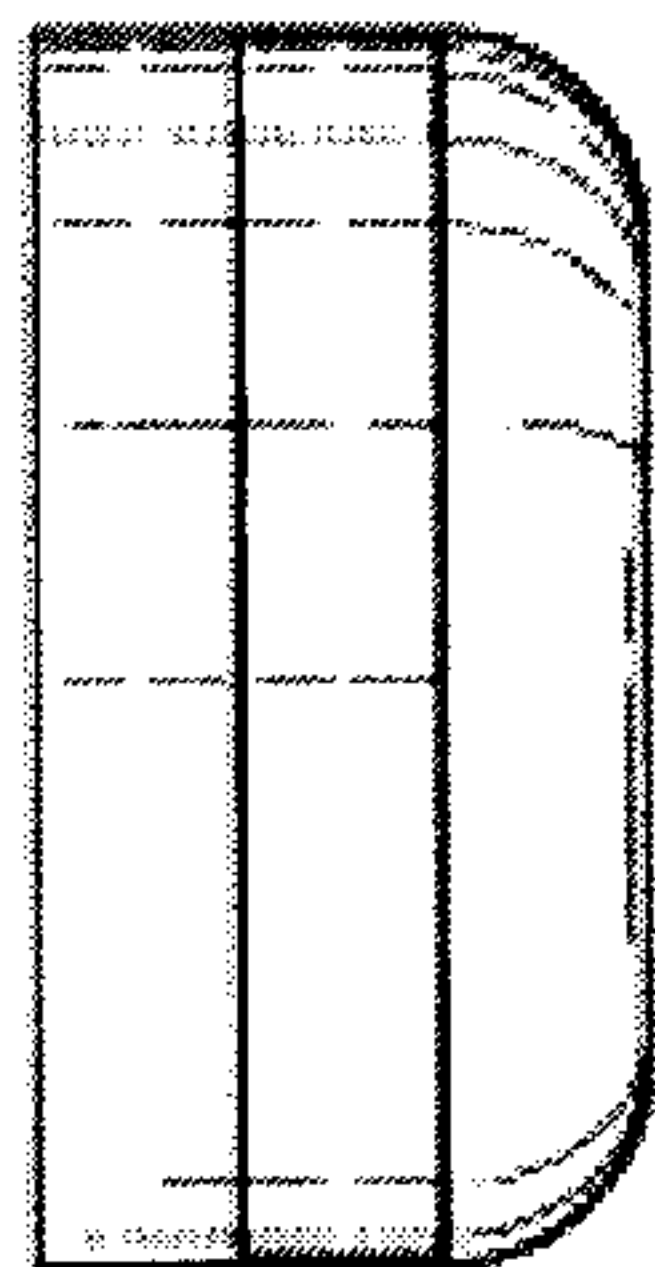


Fig. 6

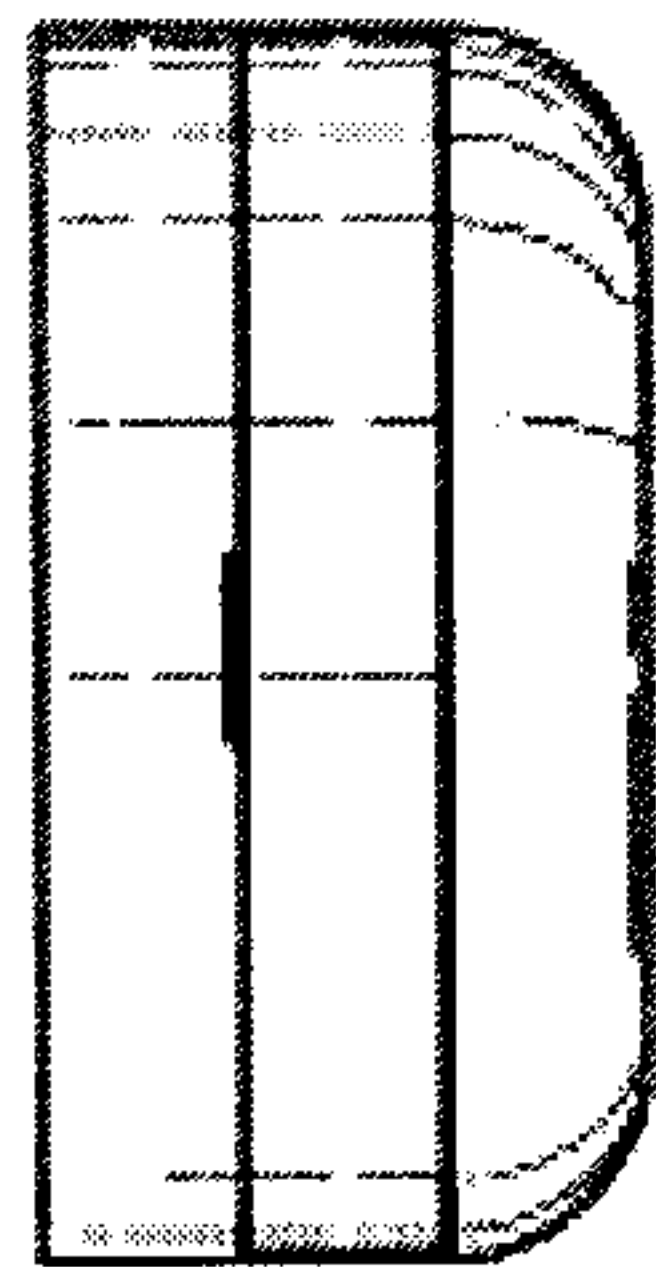


Fig. 7

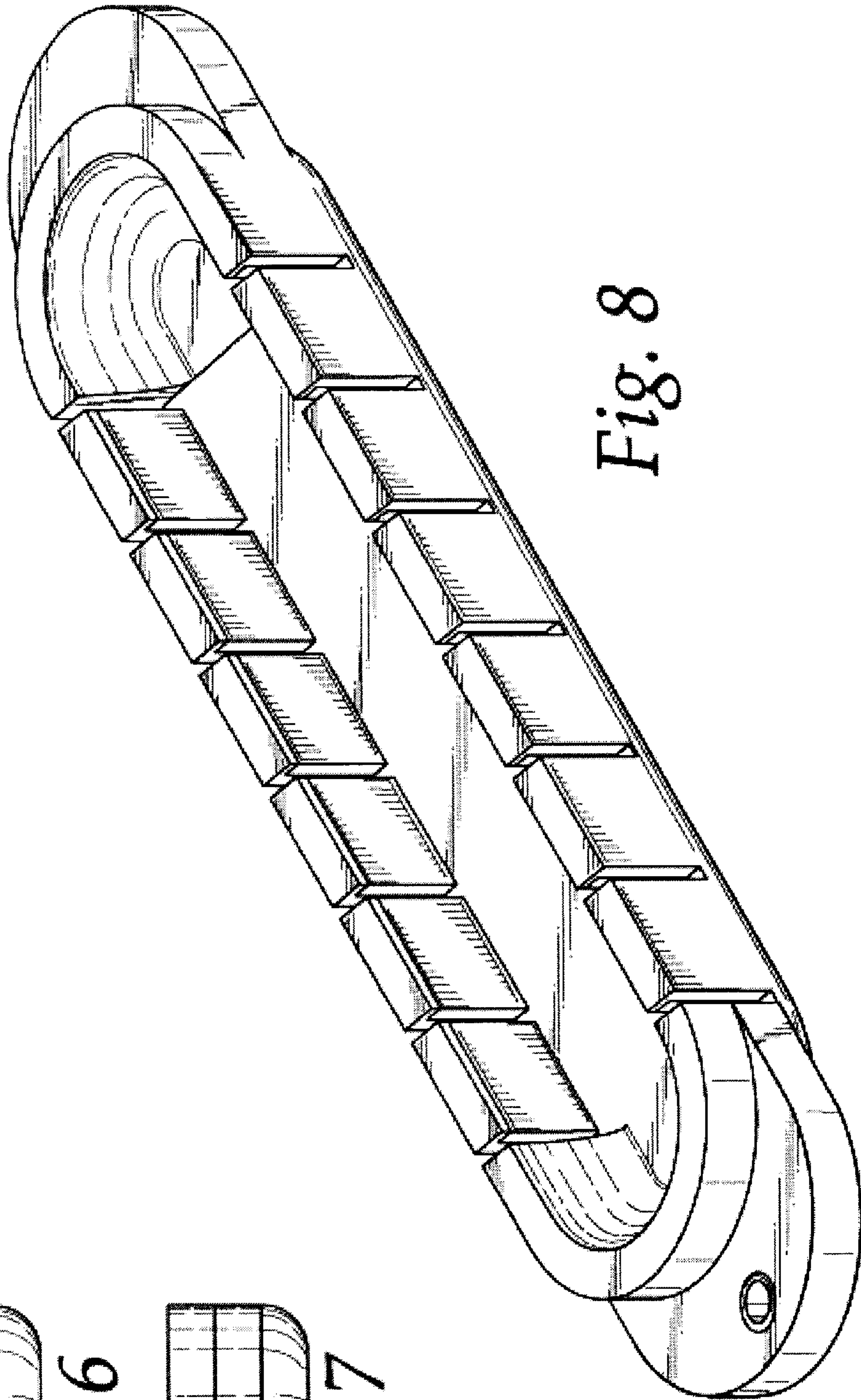


Fig. 8

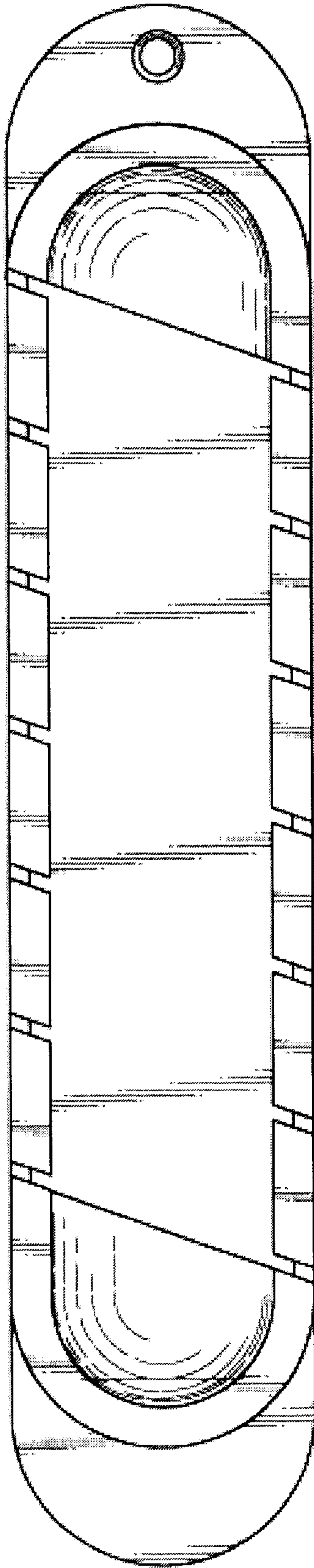


Fig. 9

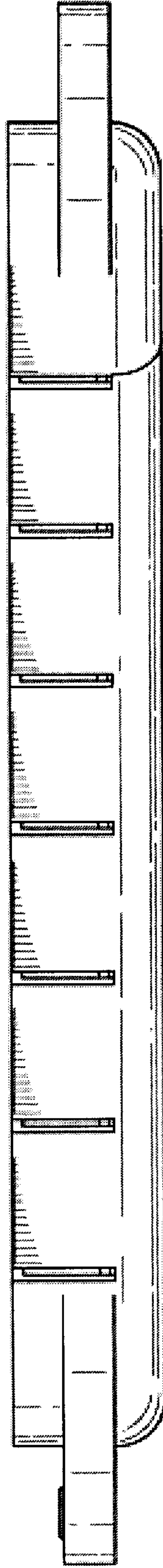


Fig. 10

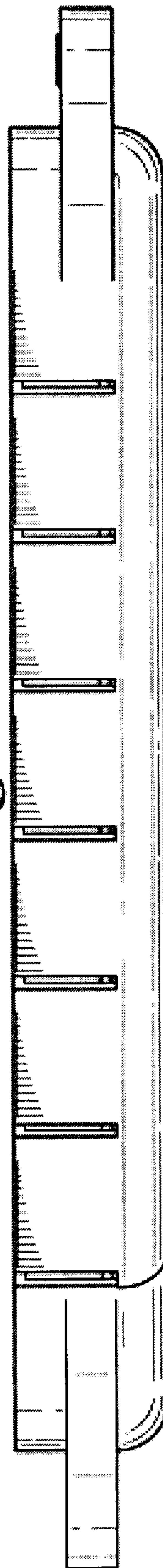


Fig. 11

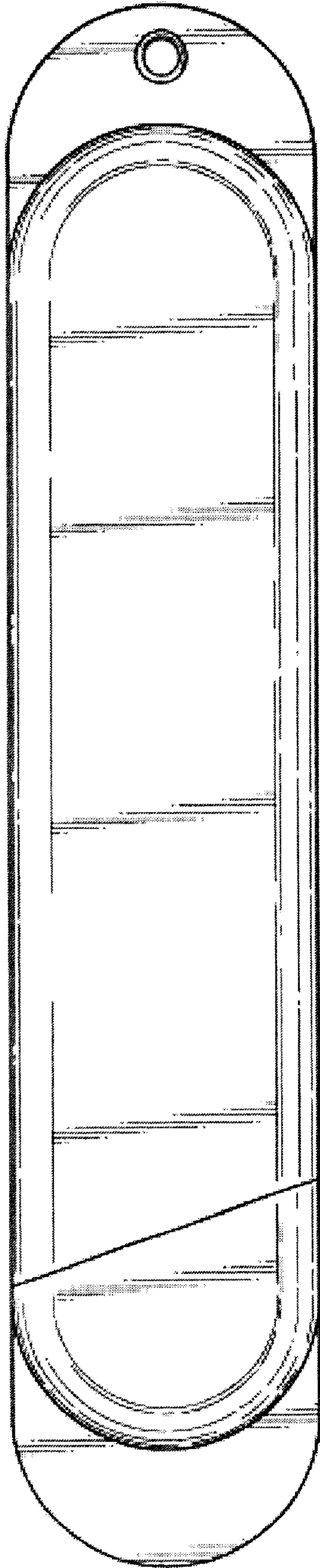


Fig. 12

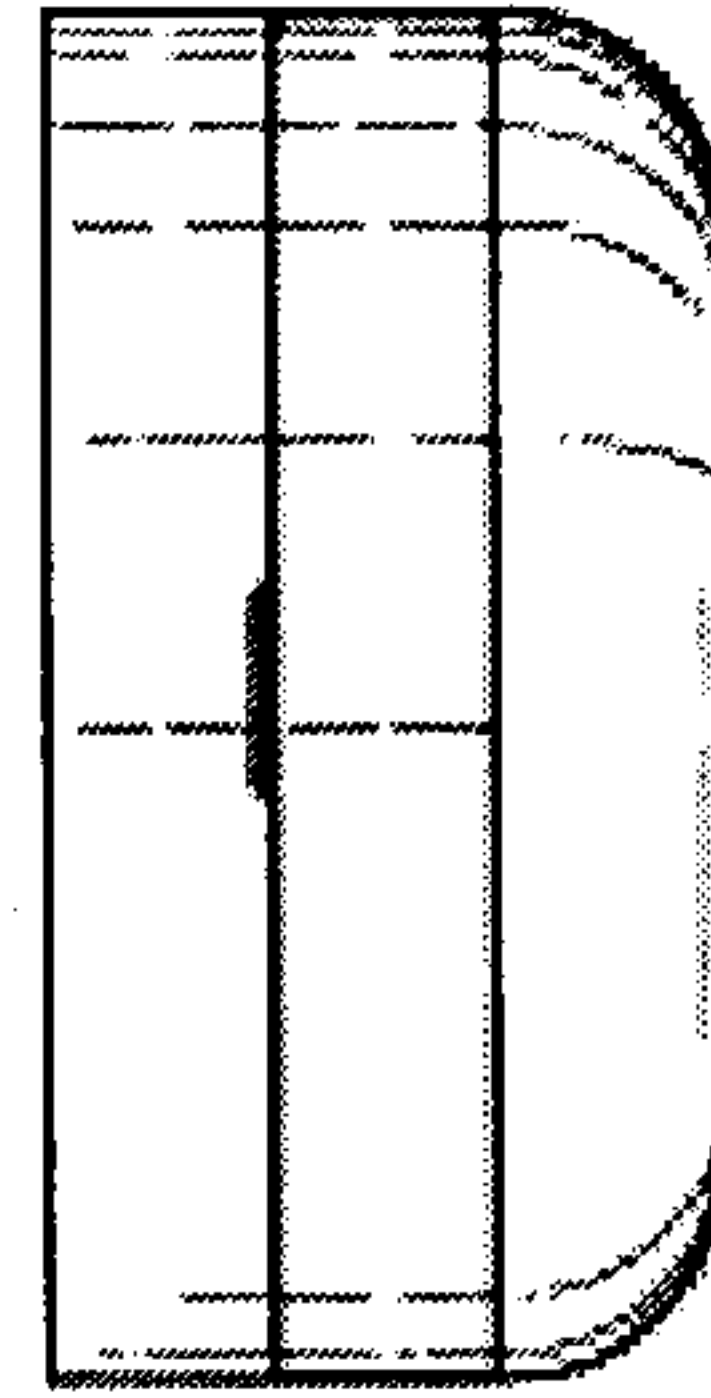


Fig. 14

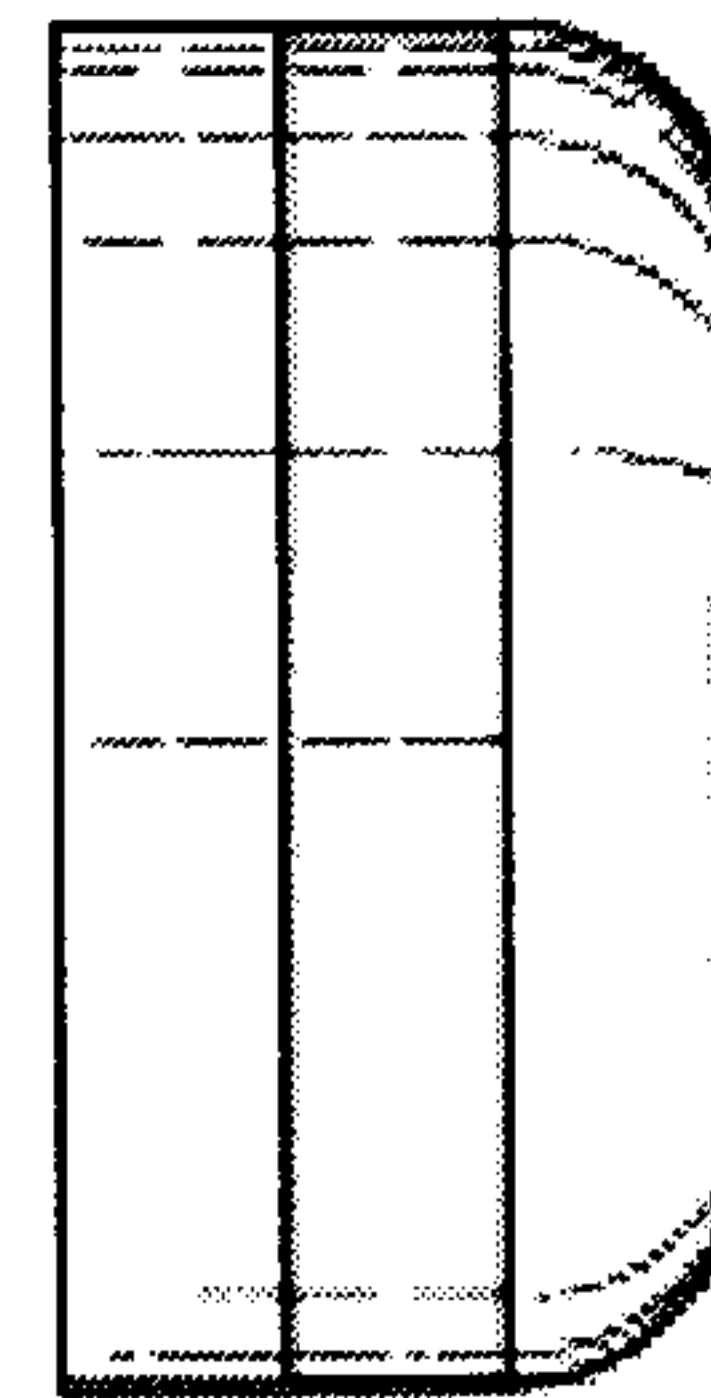


Fig. 13

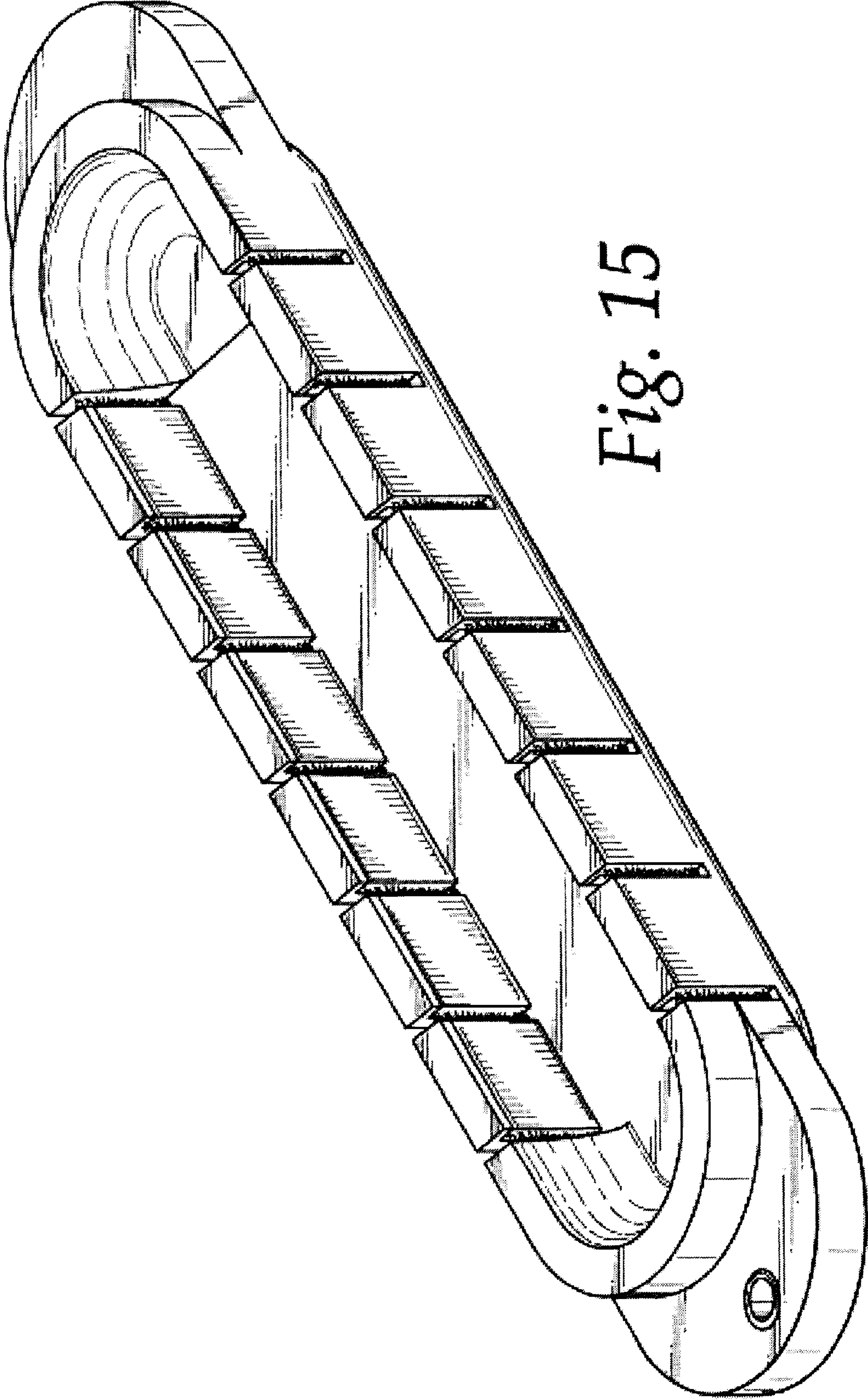


Fig. 15