

US00D536223S

(12) **United States Design Patent** (10) **Patent No.:** **US D536,223 S**
Pabon (45) **Date of Patent:** **** Feb. 6, 2007**

(54) **CULINARY APPLIANCE**

(76) Inventor: **Anthony Pabon**, 69 Ridge Rd., Valley Cottage, NY (US) 10989

(**) Term: **14 Years**

(21) Appl. No.: **29/244,666**

(22) Filed: **Dec. 13, 2005**

(51) **LOC (8) Cl.** **07-04**

(52) **U.S. Cl.** **D7/669; D7/683; D7/692**

(58) **Field of Classification Search** **D7/369, D7/669, 680-697; 7/110, 112, 113; 30/359, 30/322, 323; 294/1.1, 7, 8, 51, 55.5, 61**
See application file for complete search history.

(56) **References Cited**

U.S. PATENT DOCUMENTS

2,496,062 A * 1/1950 Morfesi 7/112

(Continued)

Primary Examiner—Terry A. Wallace

(74) *Attorney, Agent, or Firm*—Scully, Scott, Murphy & Presser, P.C.

(57) **CLAIM**

The ornamental design for a culinary appliance, as shown and described.

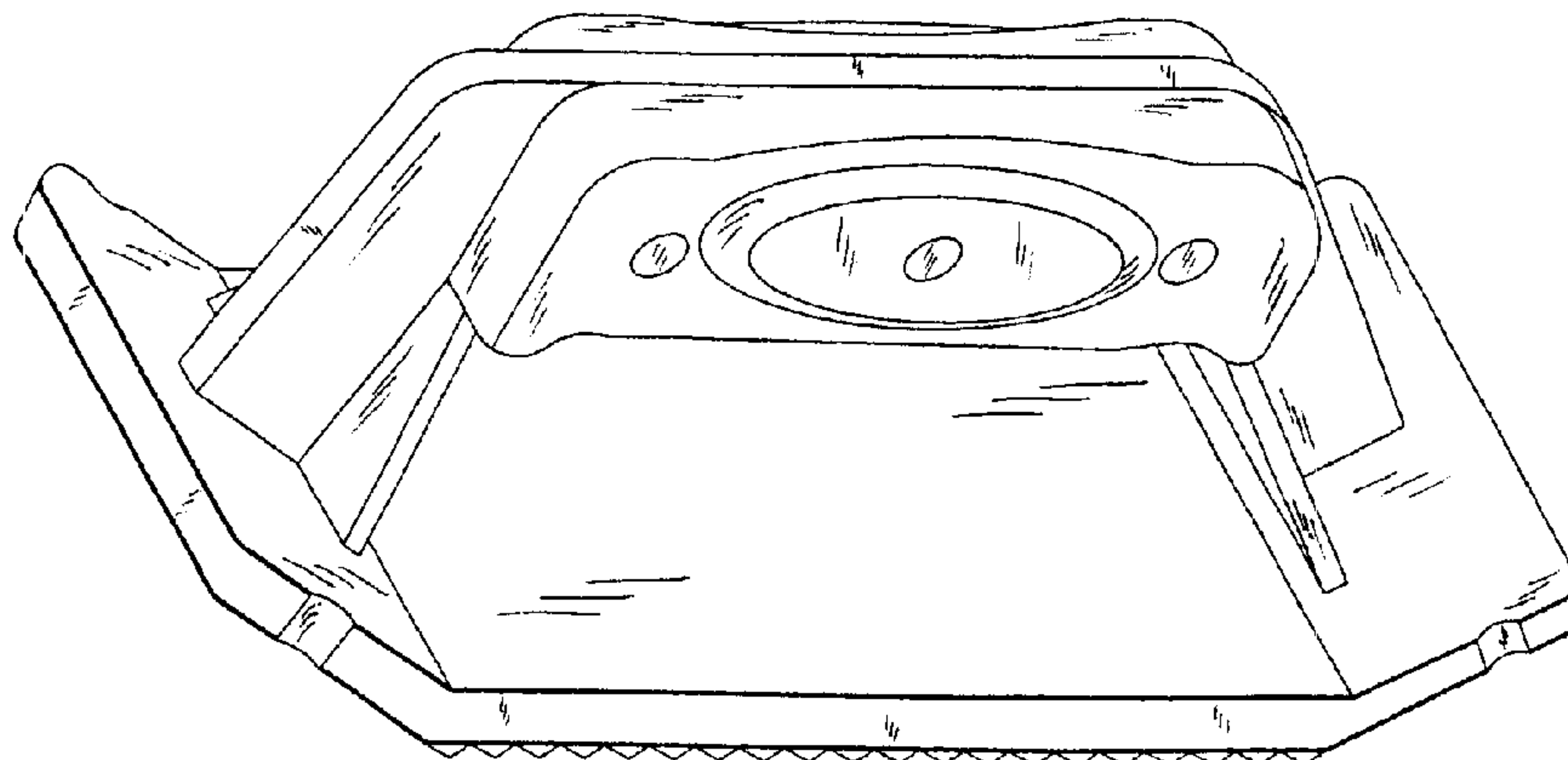
DESCRIPTION

FIG. 1 is a side perspective view of the culinary appliance showing my new and ornamental design, the opposite side being a mirror-image thereof;
FIG. 2 is a side view thereof;
FIG. 3 is a bottom perspective view thereof;
FIG. 4 is a top plan view thereof;
FIG. 5 is an end view, the opposite end being a mirror image thereof;
FIG. 6 is a bottom view thereof;
FIG. 7 is a side view thereof, showing a piercing attachment mounted on one end thereof;
FIG. 8 is a top plan view thereof;
FIG. 9 is a bottom view thereof;

FIG. 10 is a top perspective view of the piercing attachment;
FIG. 11 is a top plan view, the opposite side being a mirror-image thereof;
FIG. 12 is a bottom view thereof;
FIG. 13 is an end view, the opposite end being a mirror-image thereof;
FIG. 14 is a bottom perspective view thereof;
FIG. 15 is a side view of the culinary appliance, showing a fork attachment mounted on one end thereof;
FIG. 16 is a top plan view thereof;
FIG. 17 is a bottom view thereof;
FIG. 18 is a top perspective view of the fork attachment;
FIG. 19 is a top plan view, the opposite side being a mirror-image thereof;
FIG. 20 is a bottom view thereof;
FIG. 21 is an end view, the opposite end being a mirror-image thereof;
FIG. 22 is a bottom perspective view thereof;
FIG. 23 is a side view of the culinary appliance, showing a spatula-type attachment mounted on one end thereof;
FIG. 24 is a top plan view thereof;
FIG. 25 is a bottom view thereof;
FIG. 26 is a top perspective view of the spatula-type attachment;
FIG. 27 is a top plan view, the opposite side being a mirror-image thereof;
FIG. 28 is an end view, the opposite end being a mirror-image thereof;
FIG. 29 is a bottom view thereof;
FIG. 30 is a bottom perspective view thereof;
FIG. 31 is a side view of the culinary appliance, showing a spatula attachment mounted on one end thereof;
FIG. 32 is a top plan view thereof;
FIG. 33 is a bottom view thereof;
FIG. 34 is a top perspective view of the spatula attachment;
FIG. 35 is a top plan view, the opposite side being a mirror-image thereof;
FIG. 36 is an end view, the opposite end being a mirror-image thereof;
FIG. 37 is a bottom view thereof;
FIG. 38 is a bottom perspective view thereof; and,
FIG. 39 is an exploded perspective view of the culinary appliance.

The different parts of the culinary appliance are shown separately for clarity of illustration.

1 Claim, 11 Drawing Sheets



US D536,223 S

Page 2

U.S. PATENT DOCUMENTS

D160,689 S	*	10/1950	Carlson	D7/683	D422,853 S	*	4/2000	Cheslow	D7/683
3,010,500 A	*	11/1961	Jordan	294/1.1	D437,193 S	*	2/2001	Kontou et al.	D7/692
D215,122 S	*	9/1969	Satake	D7/369	D459,161 S	*	6/2002	Rowe et al.	D7/683
D236,678 S	*	9/1975	Rader	D7/687	D459,953 S	*	7/2002	Wang et al.	D7/683
4,132,502 A	*	1/1979	Bunke	7/113	D487,679 S	*	3/2004	Overthun et al.	D7/692
5,664,474 A	*	9/1997	Punt	D7/673	D501,631 S	*	2/2005	Sulier	D7/683

* cited by examiner

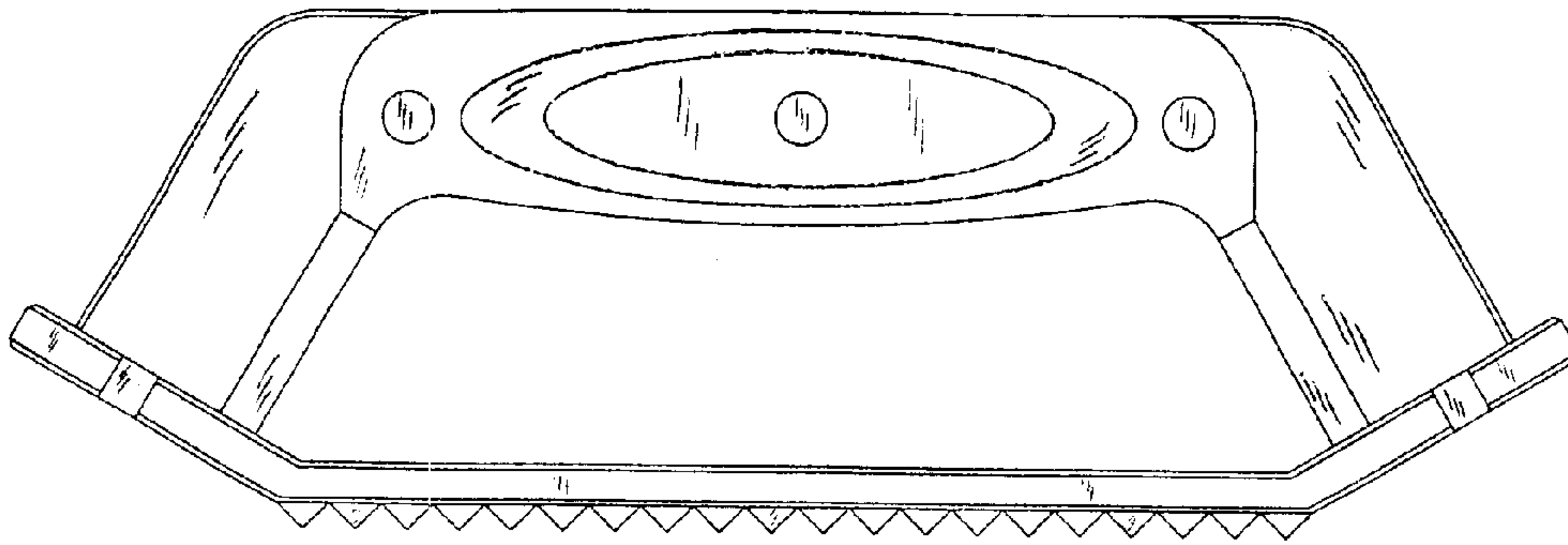


FIG. 2

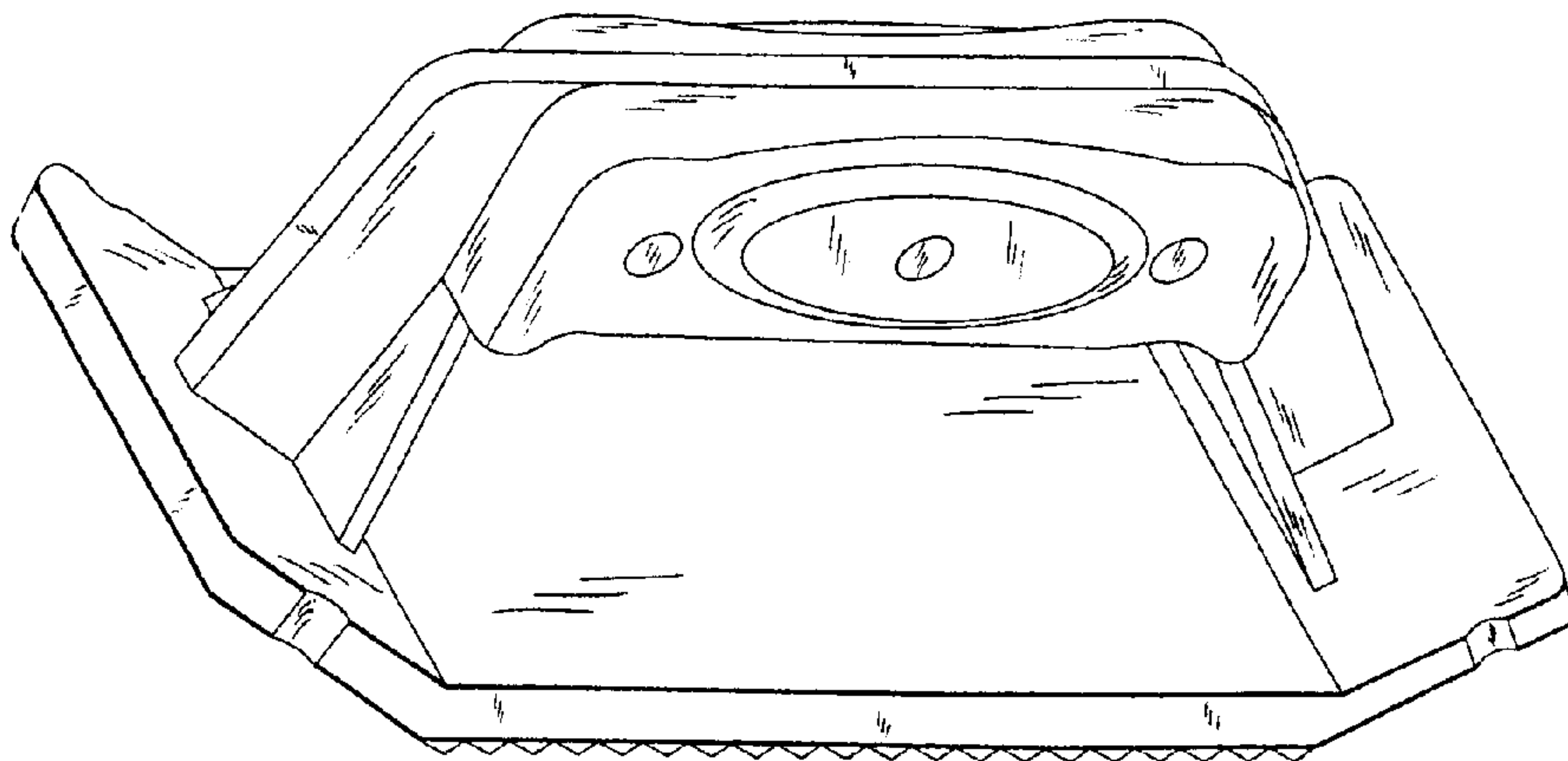


FIG. 1

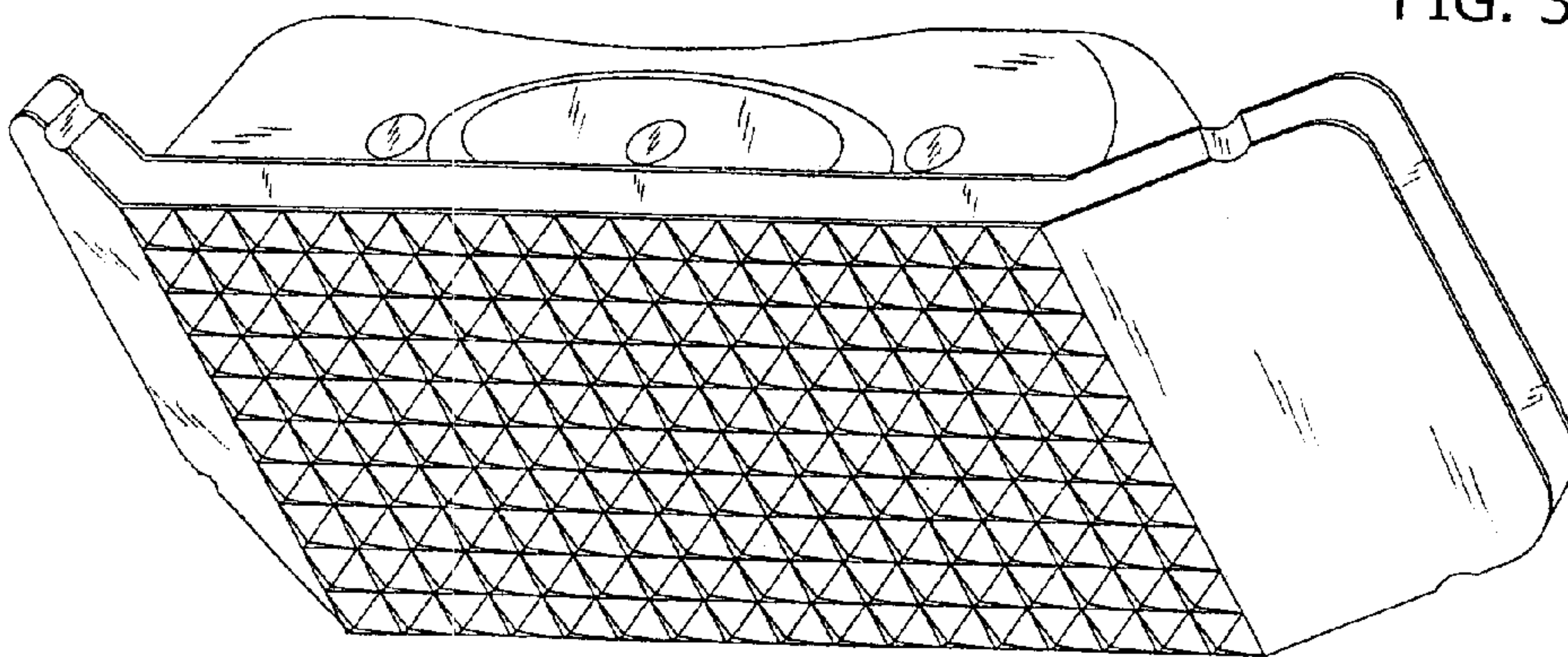


FIG. 3

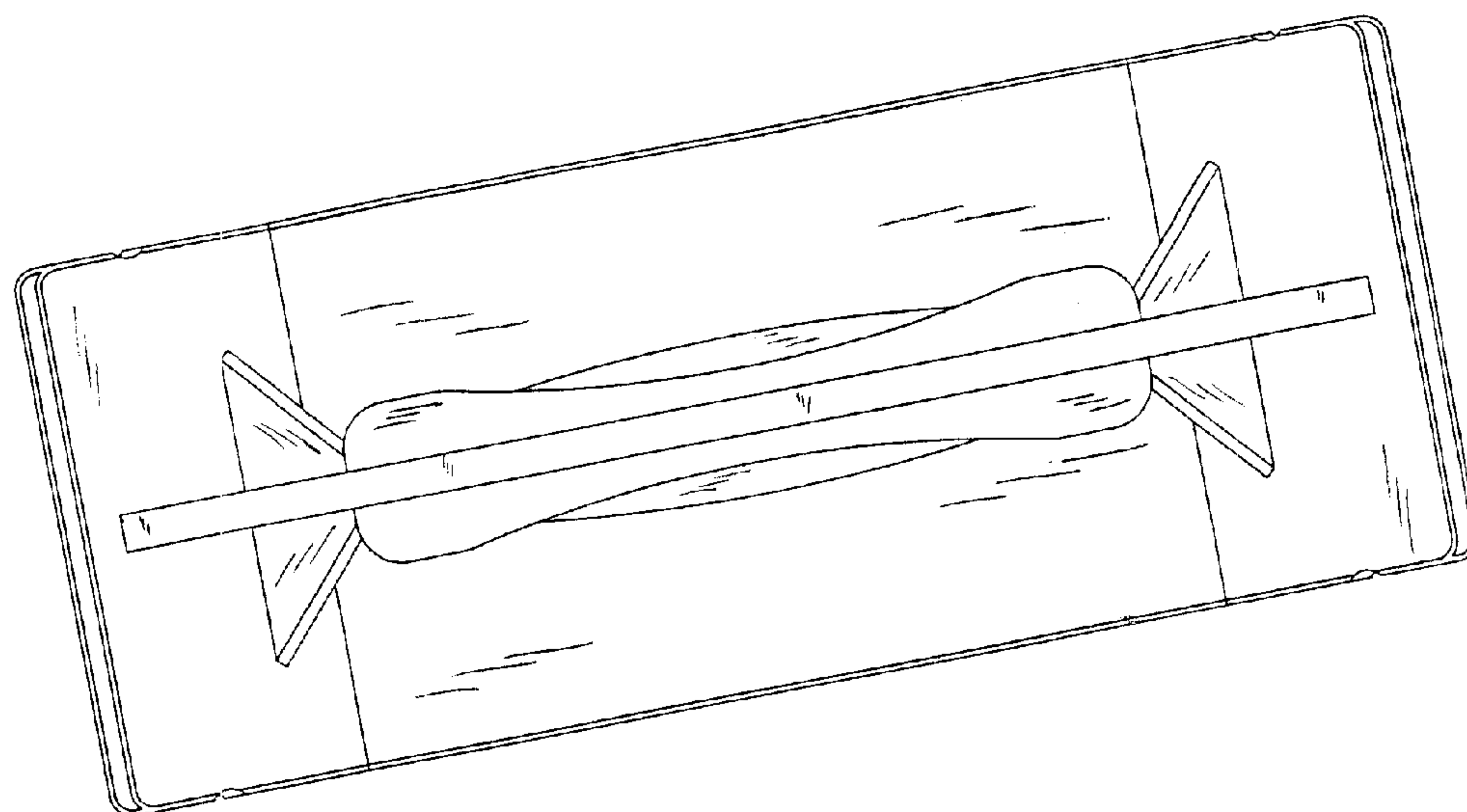


FIG. 4

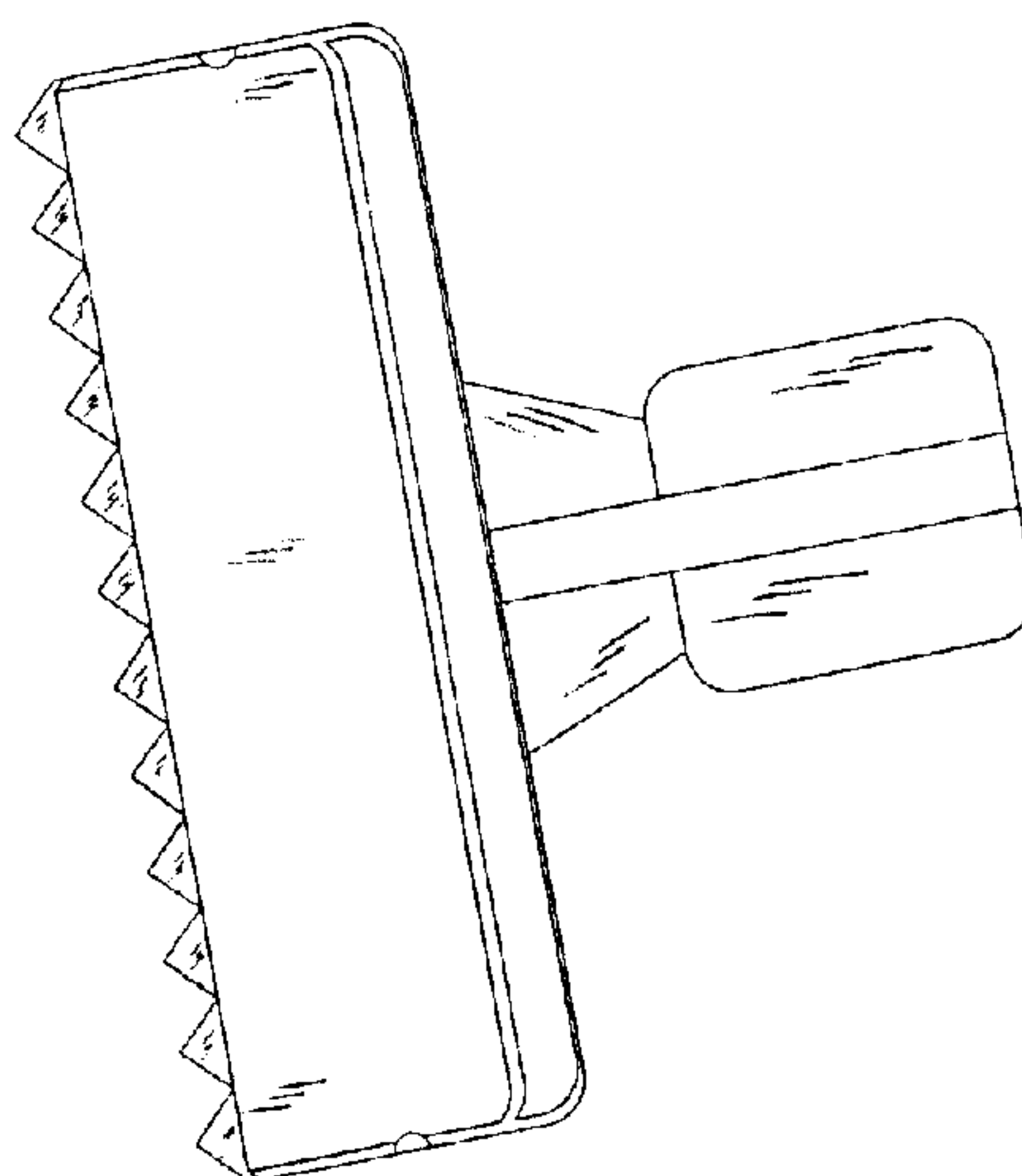


FIG. 5

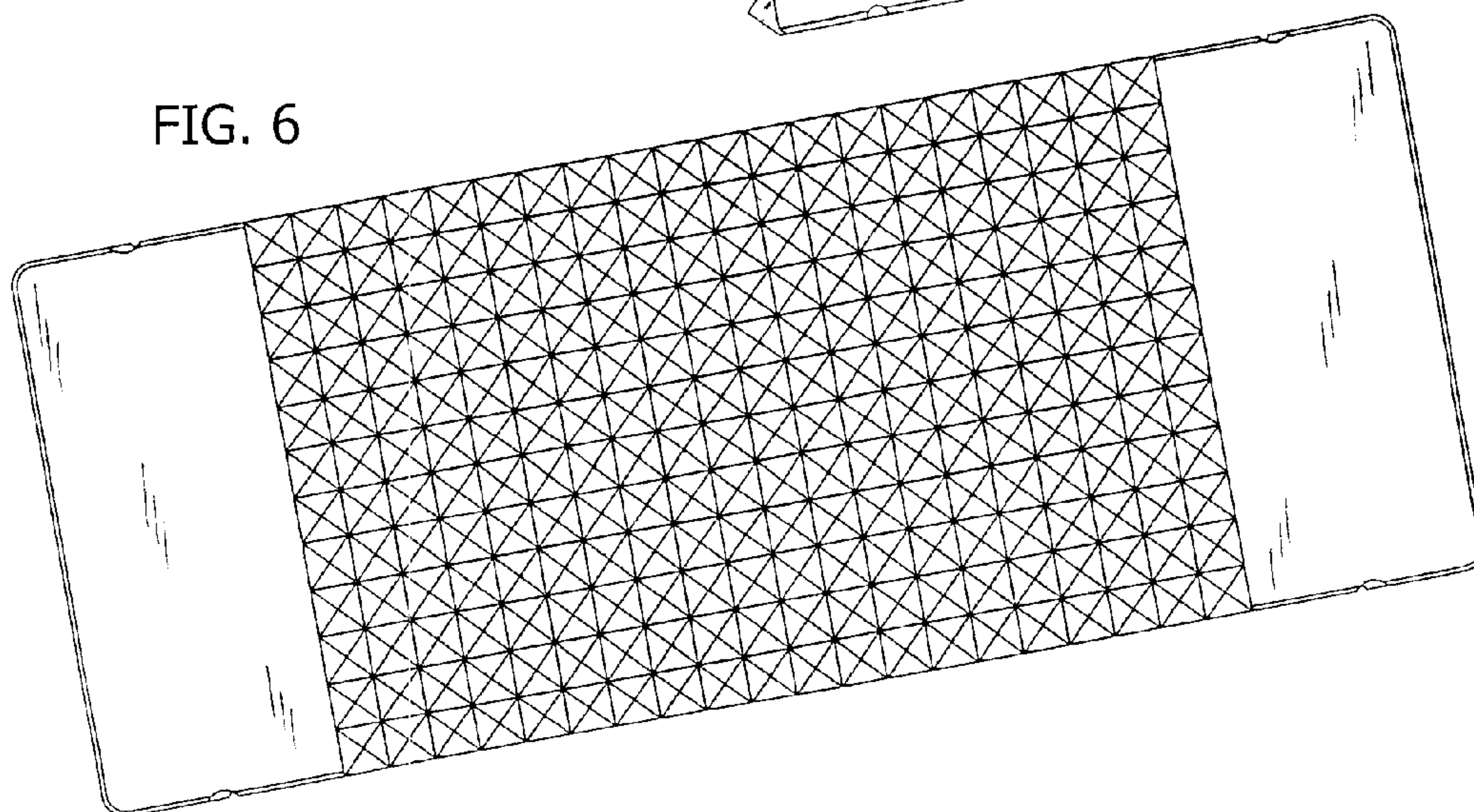


FIG. 6

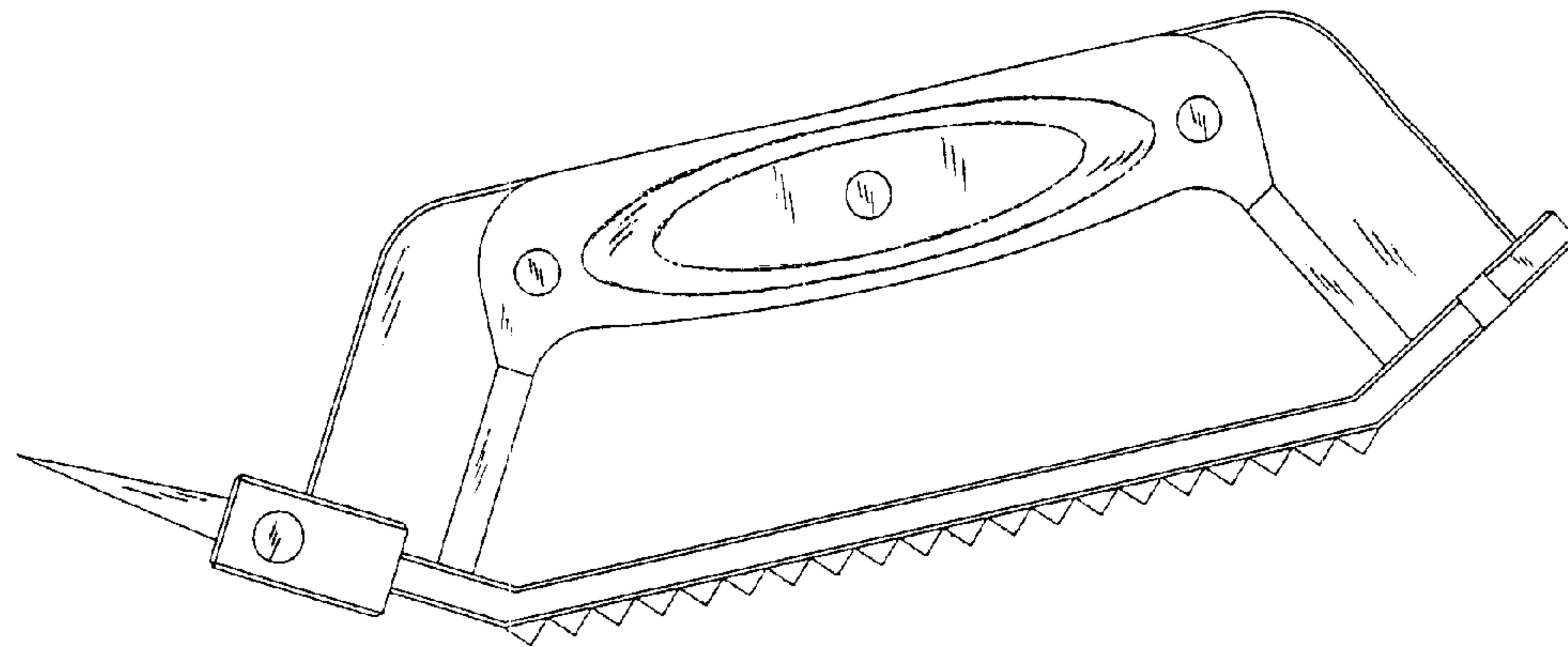


FIG. 7

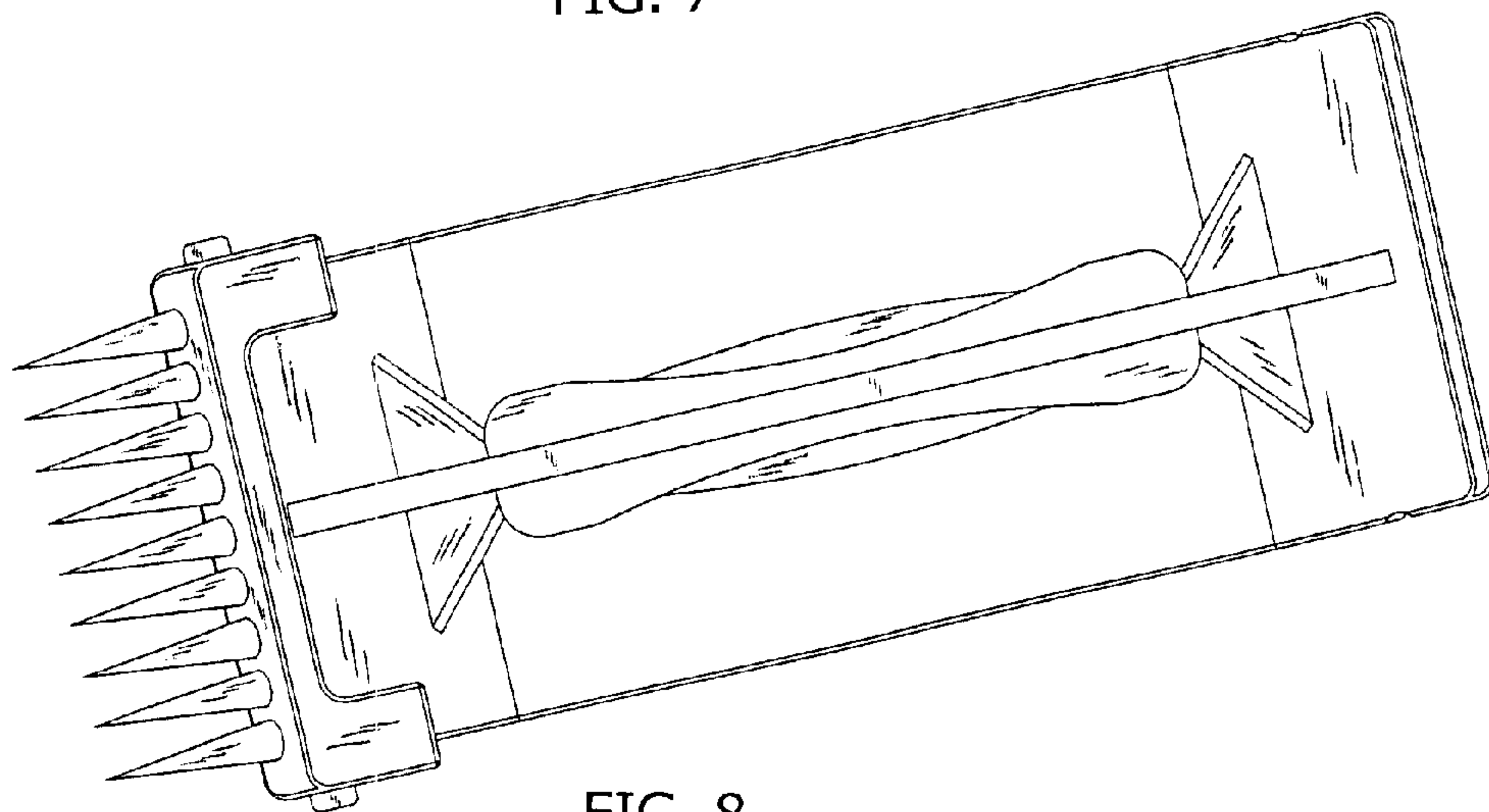
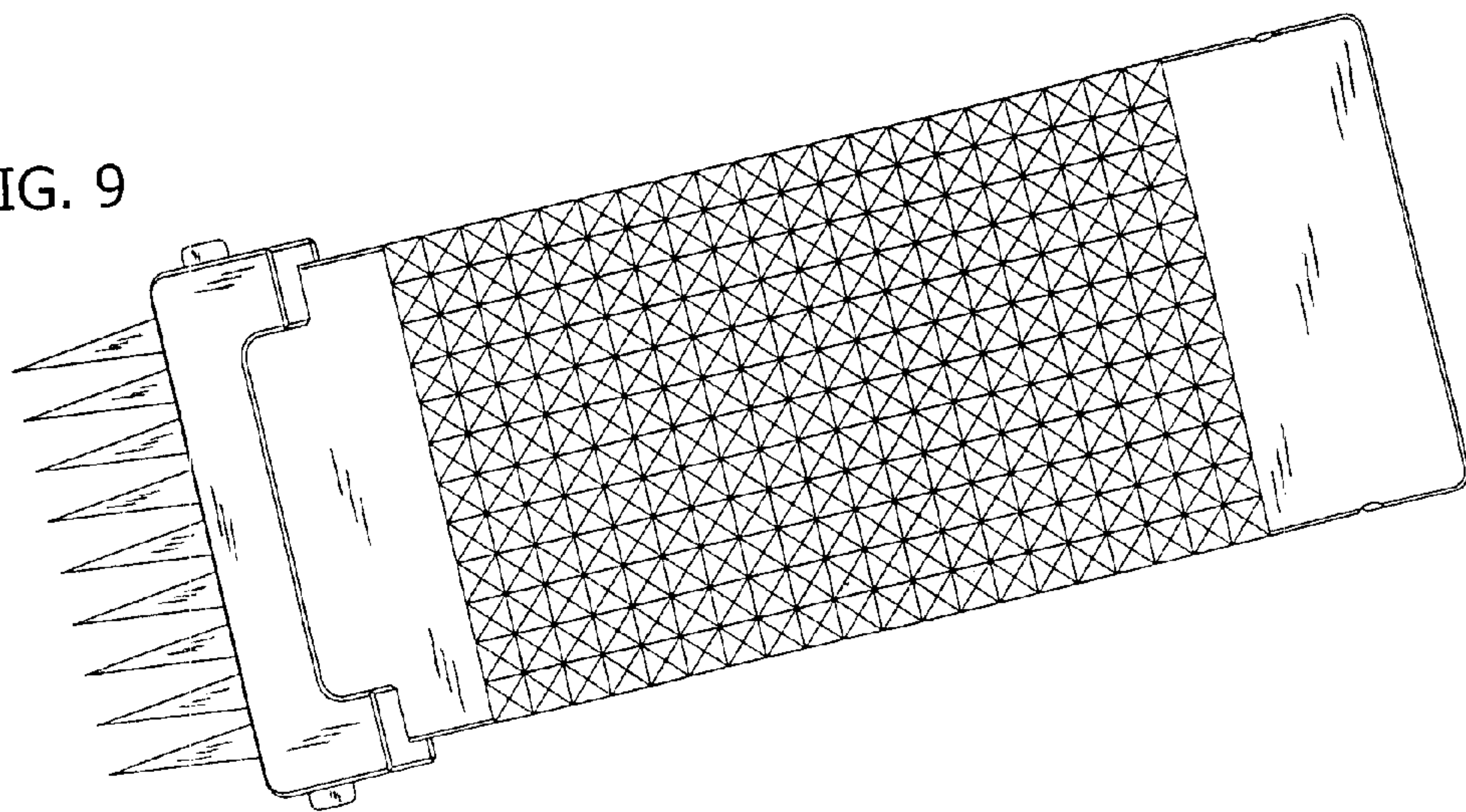


FIG. 8

FIG. 9



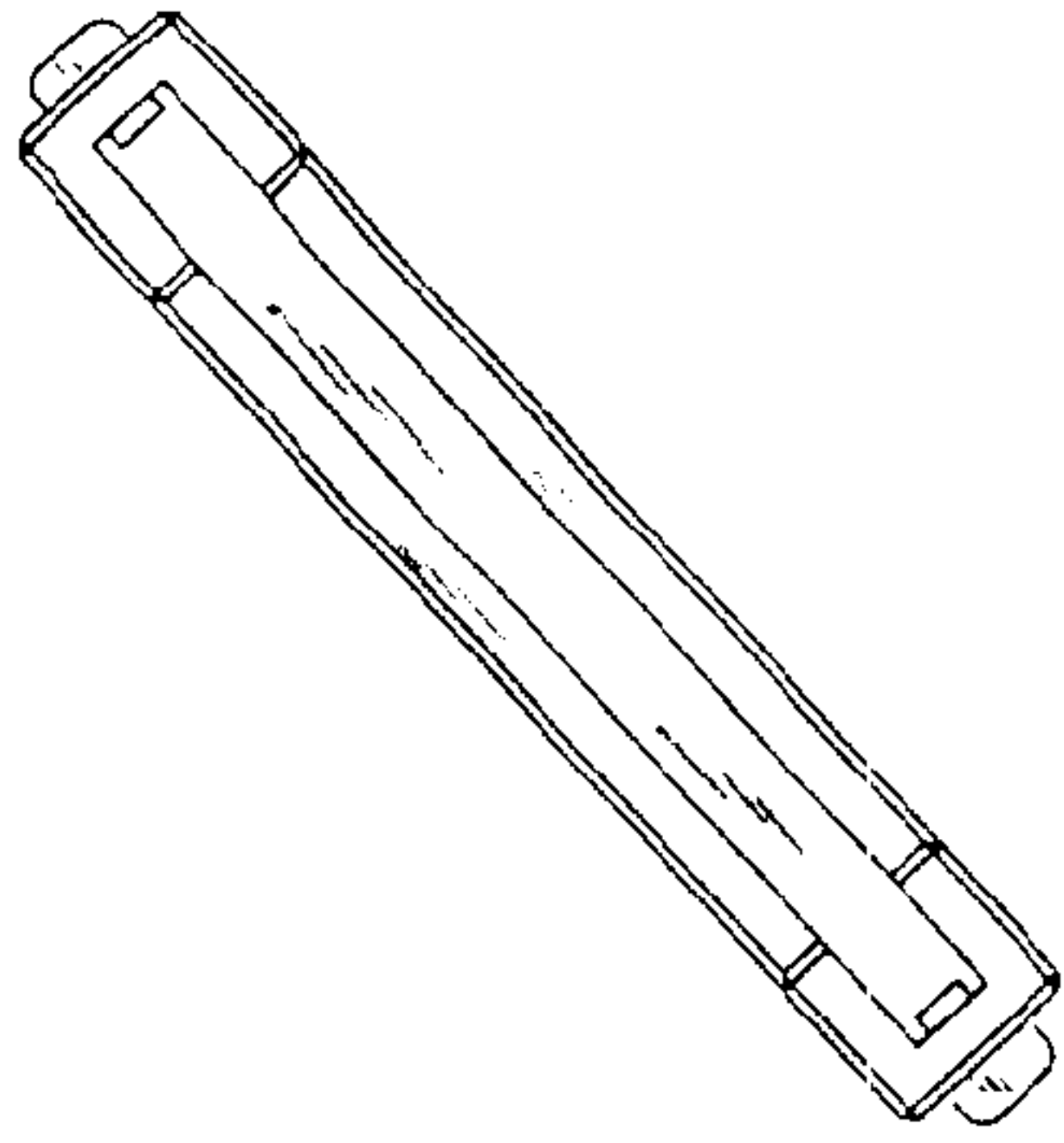


FIG. 12

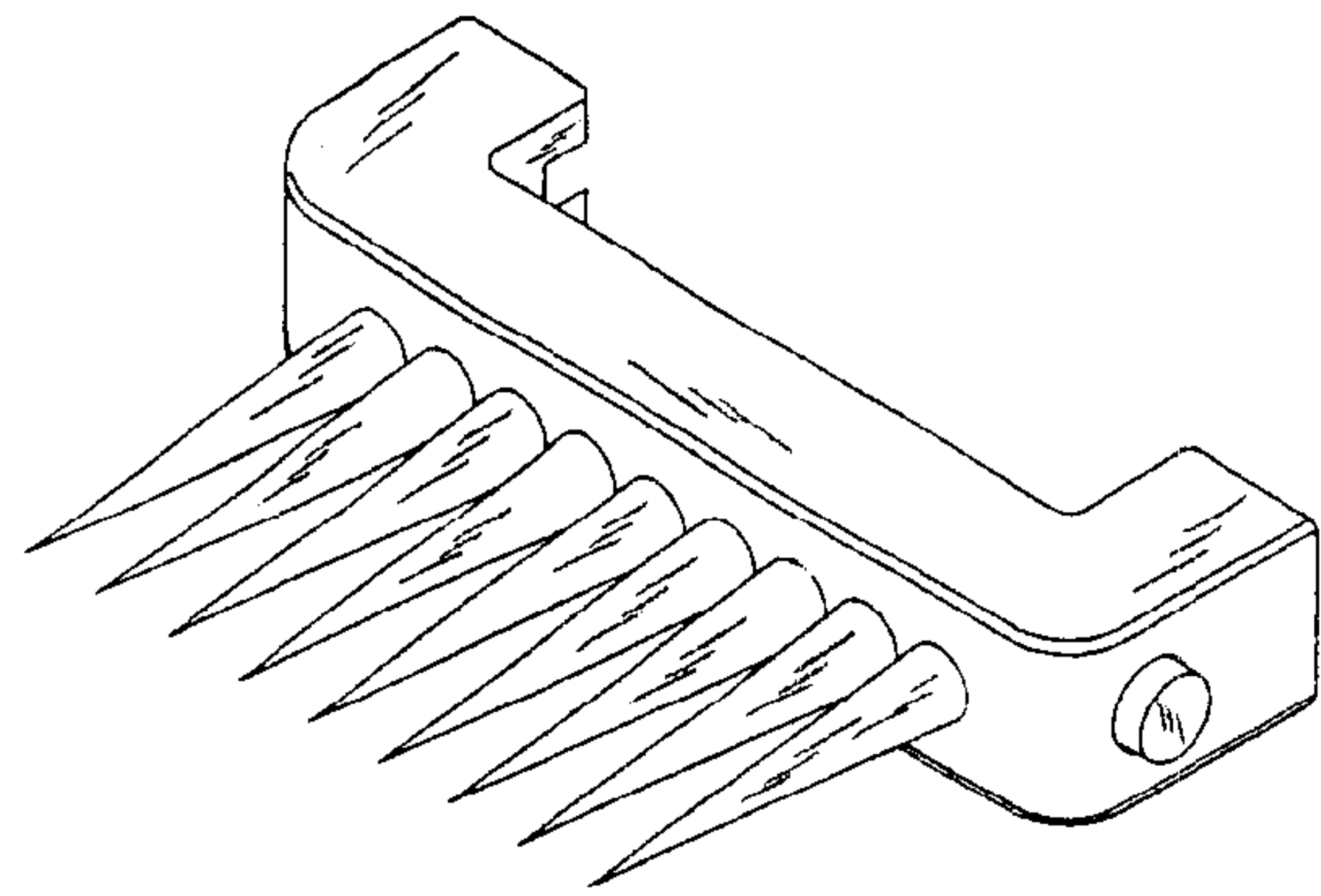


FIG. 10

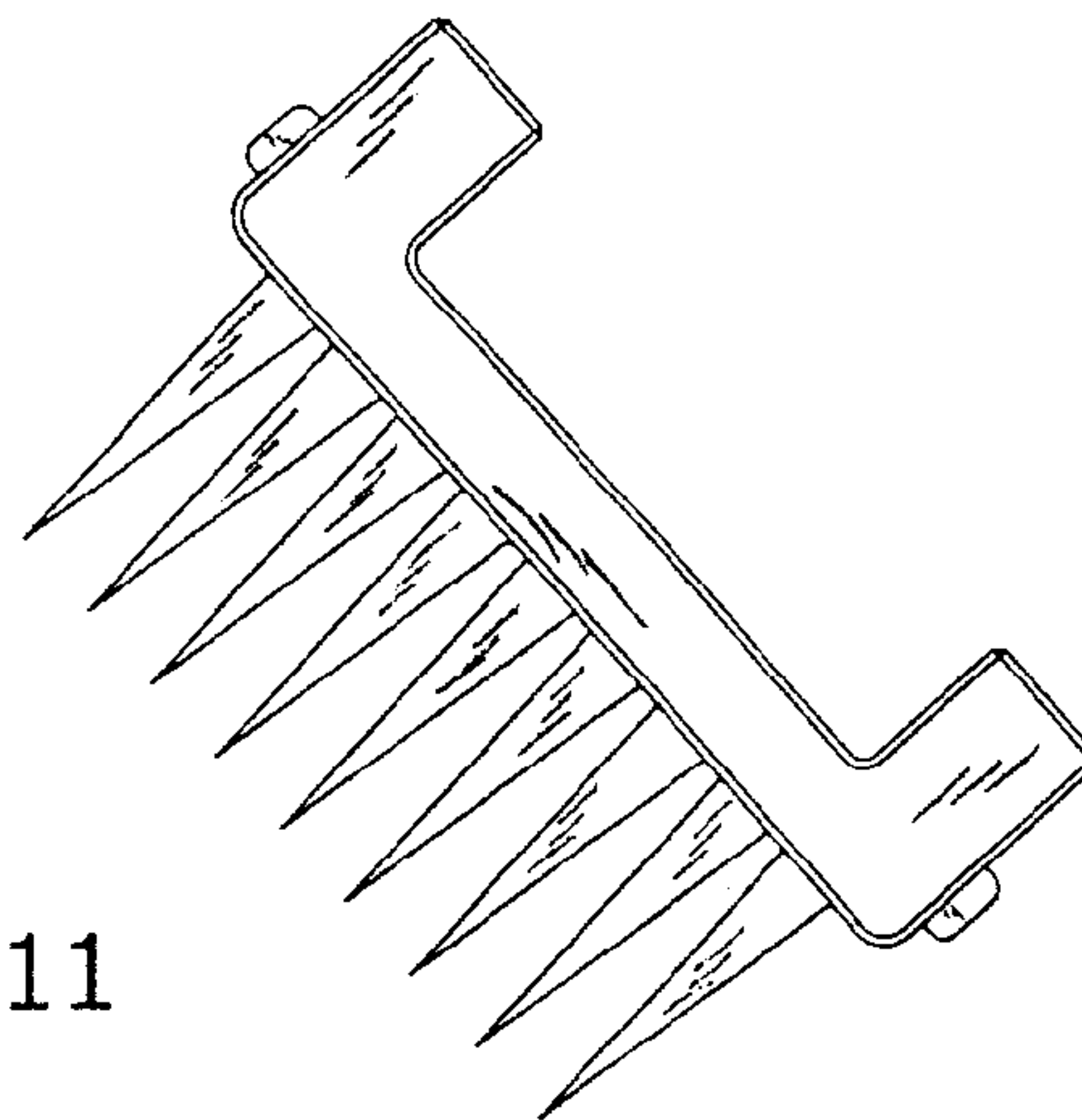


FIG. 11

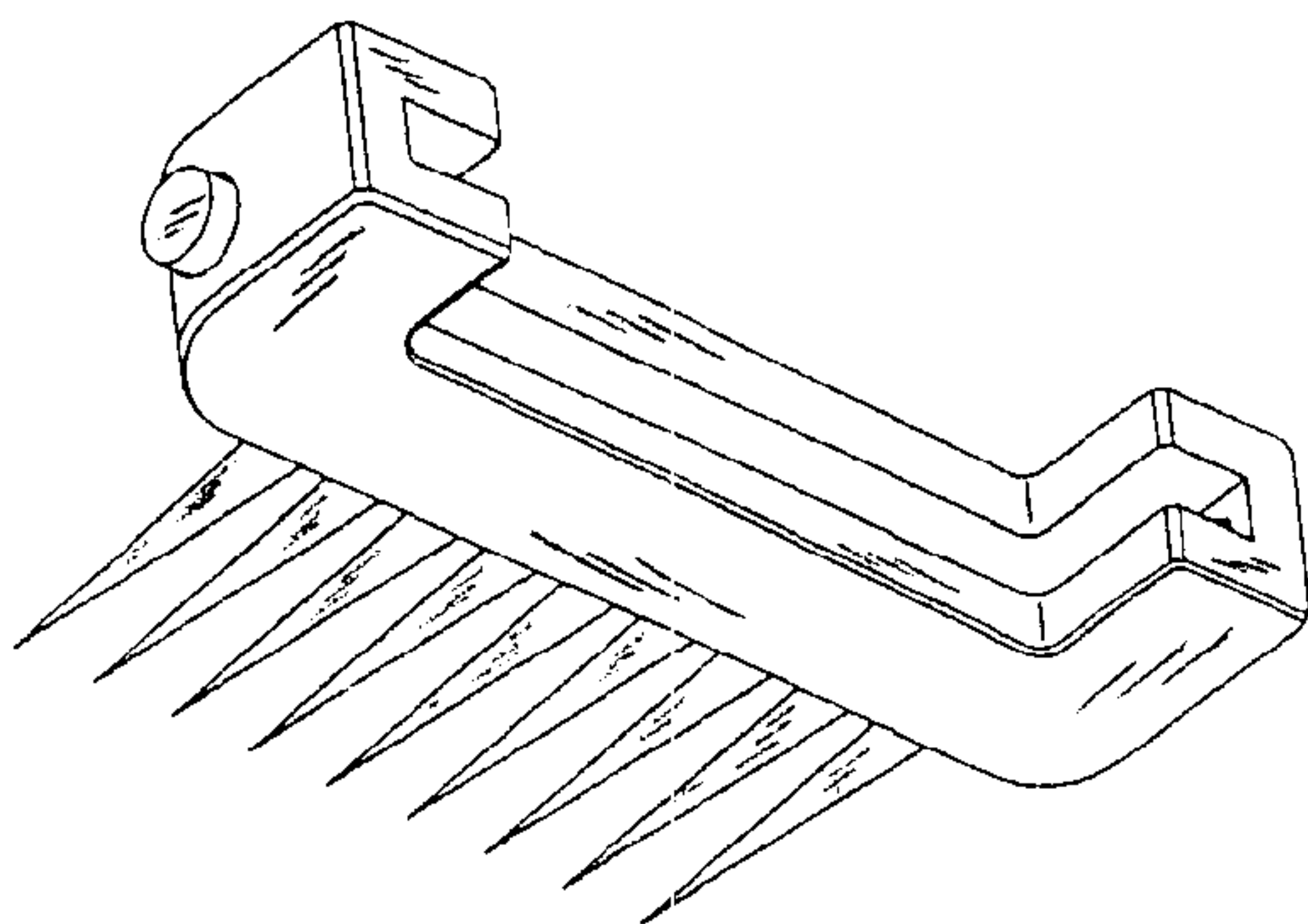


FIG. 14

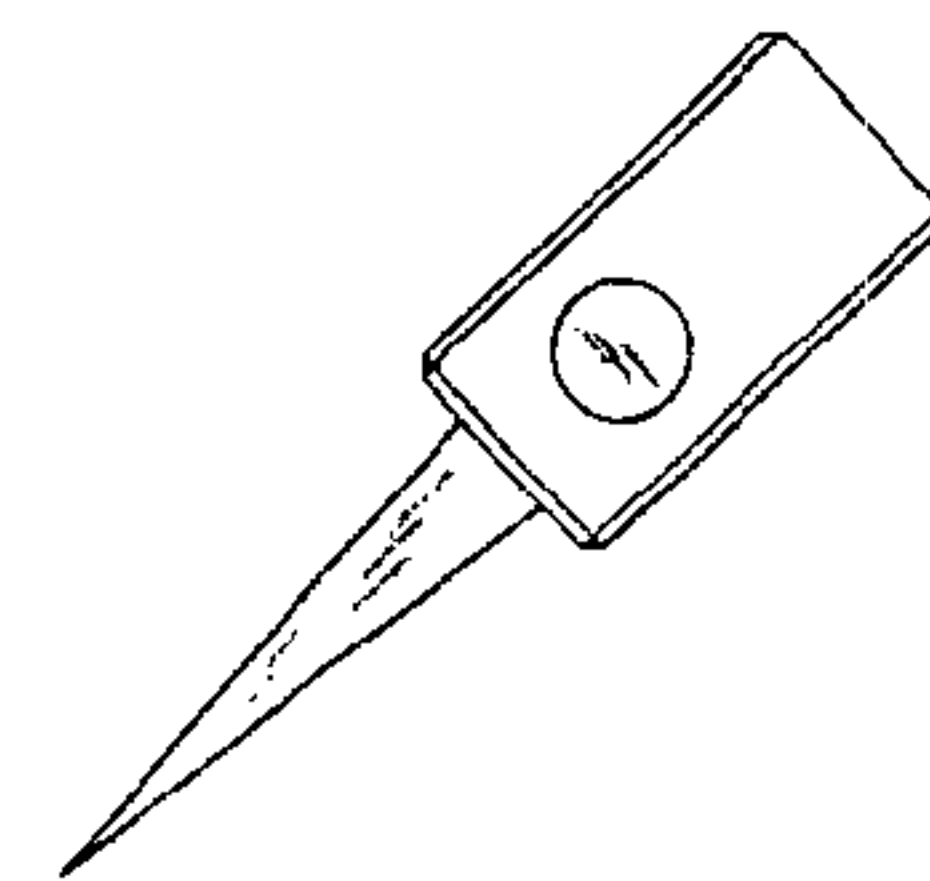


FIG. 13

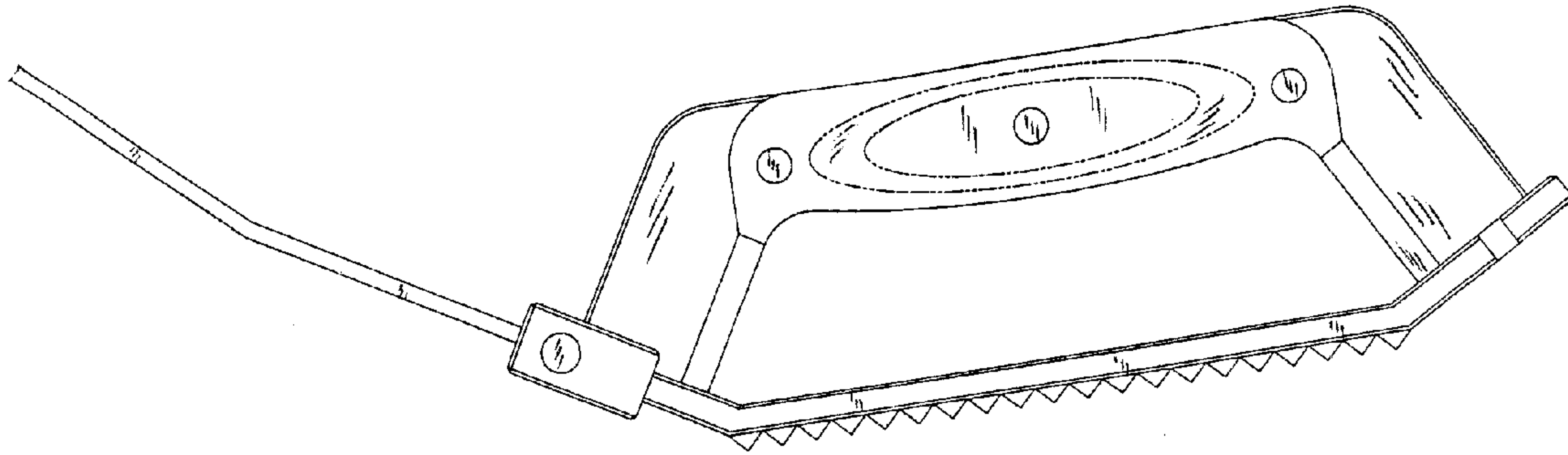


FIG. 15

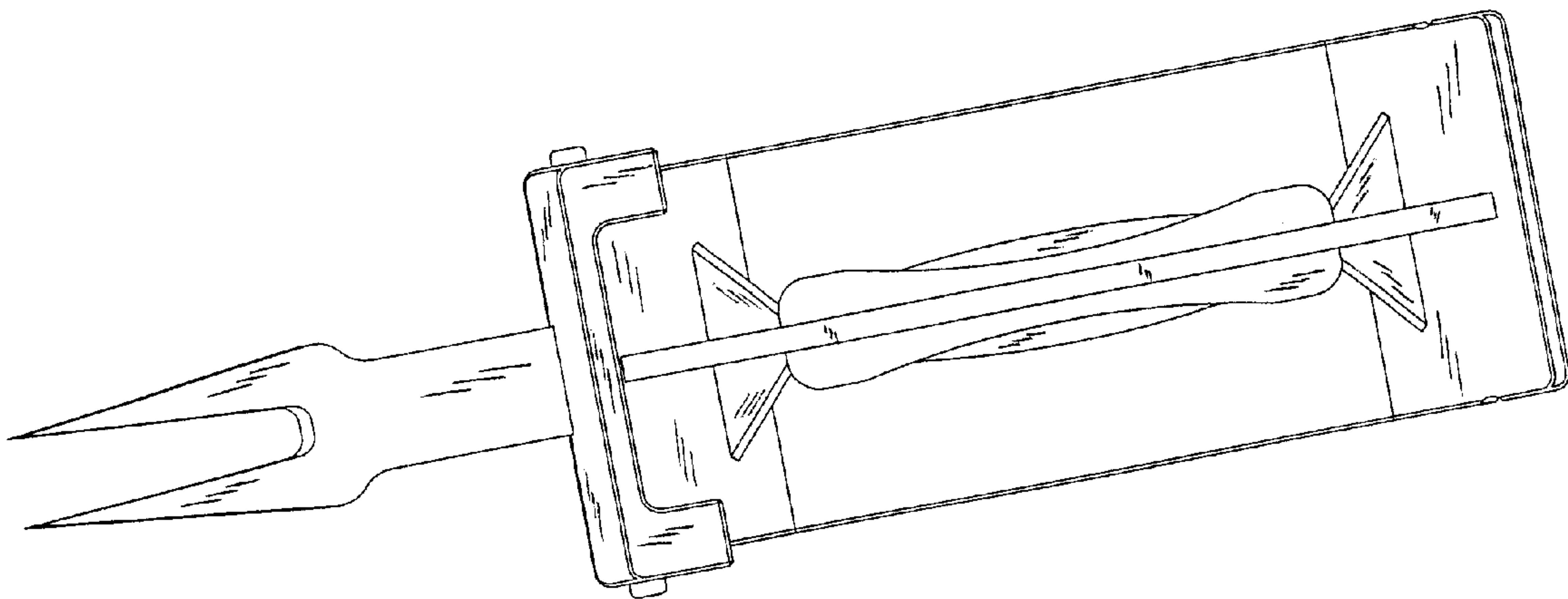


FIG. 16

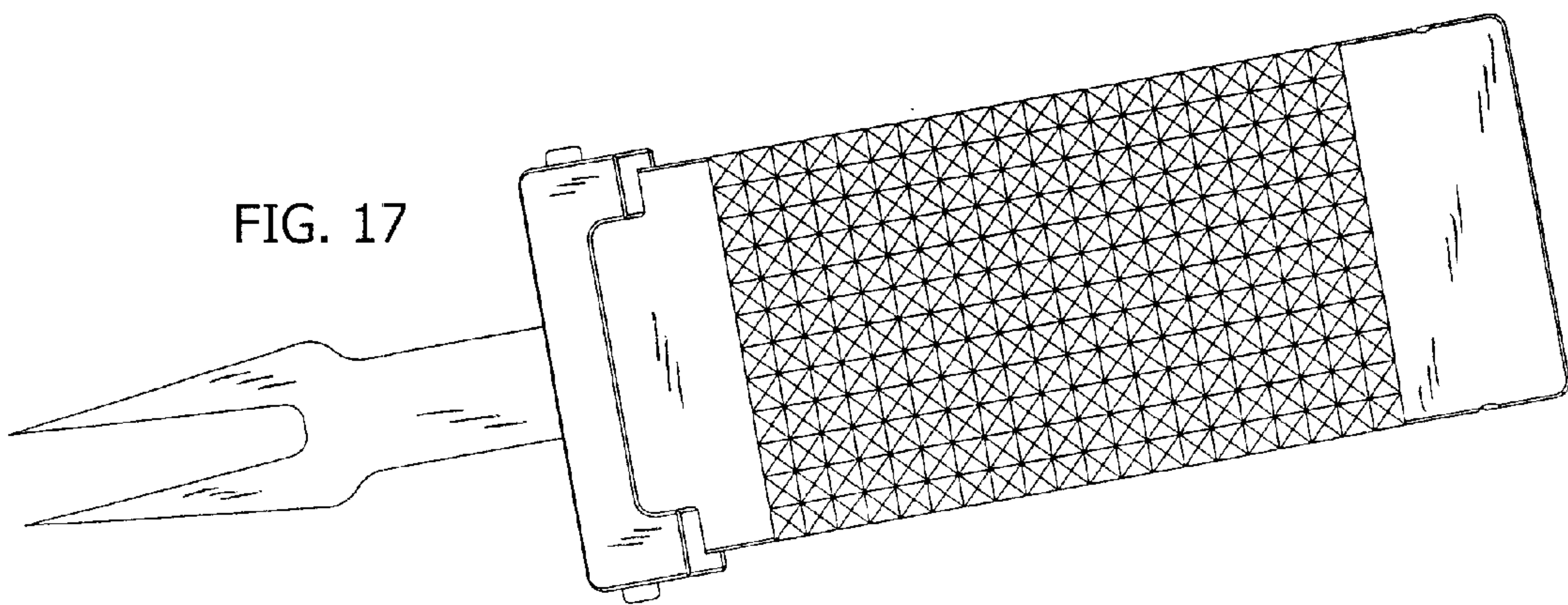


FIG. 17

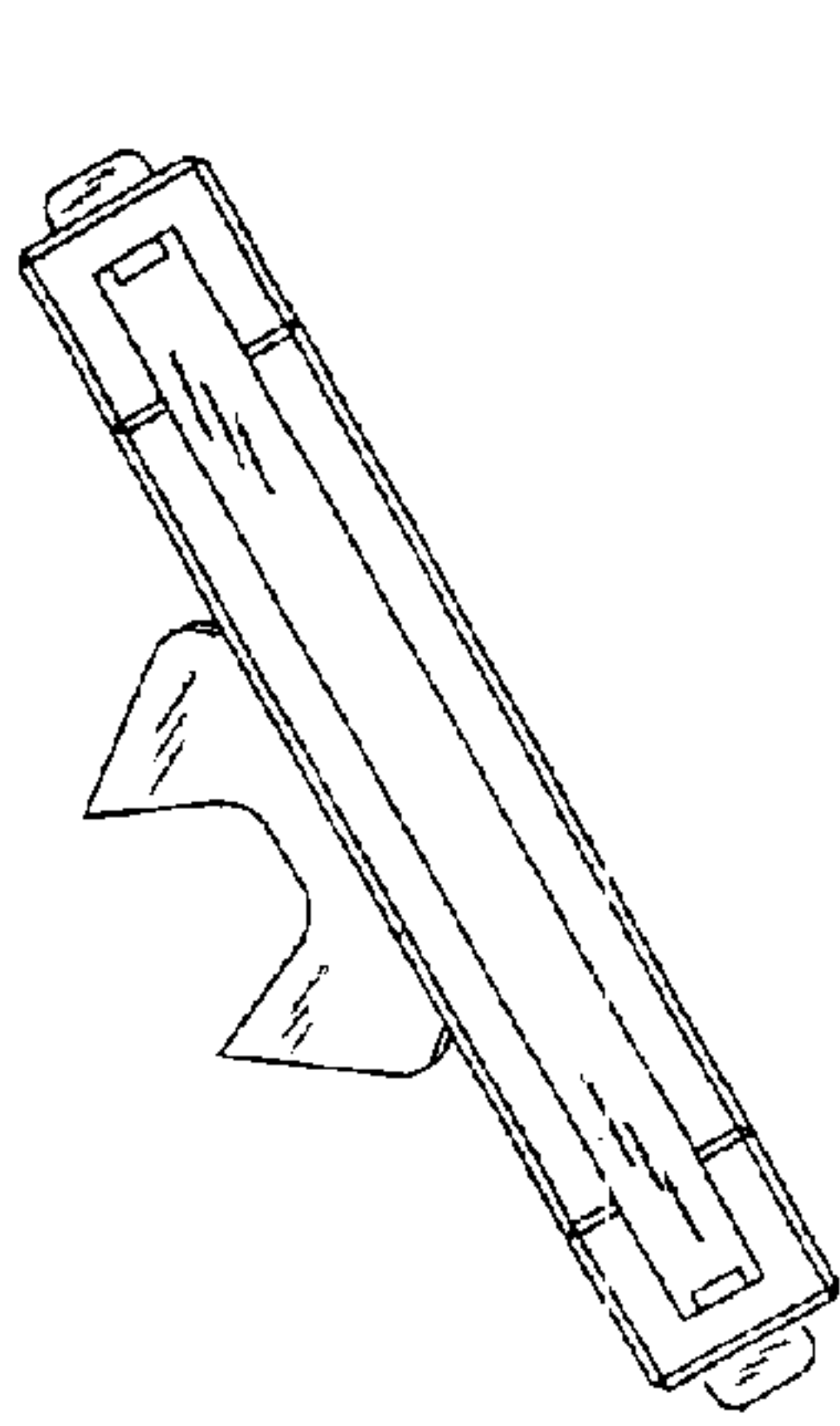


FIG. 20

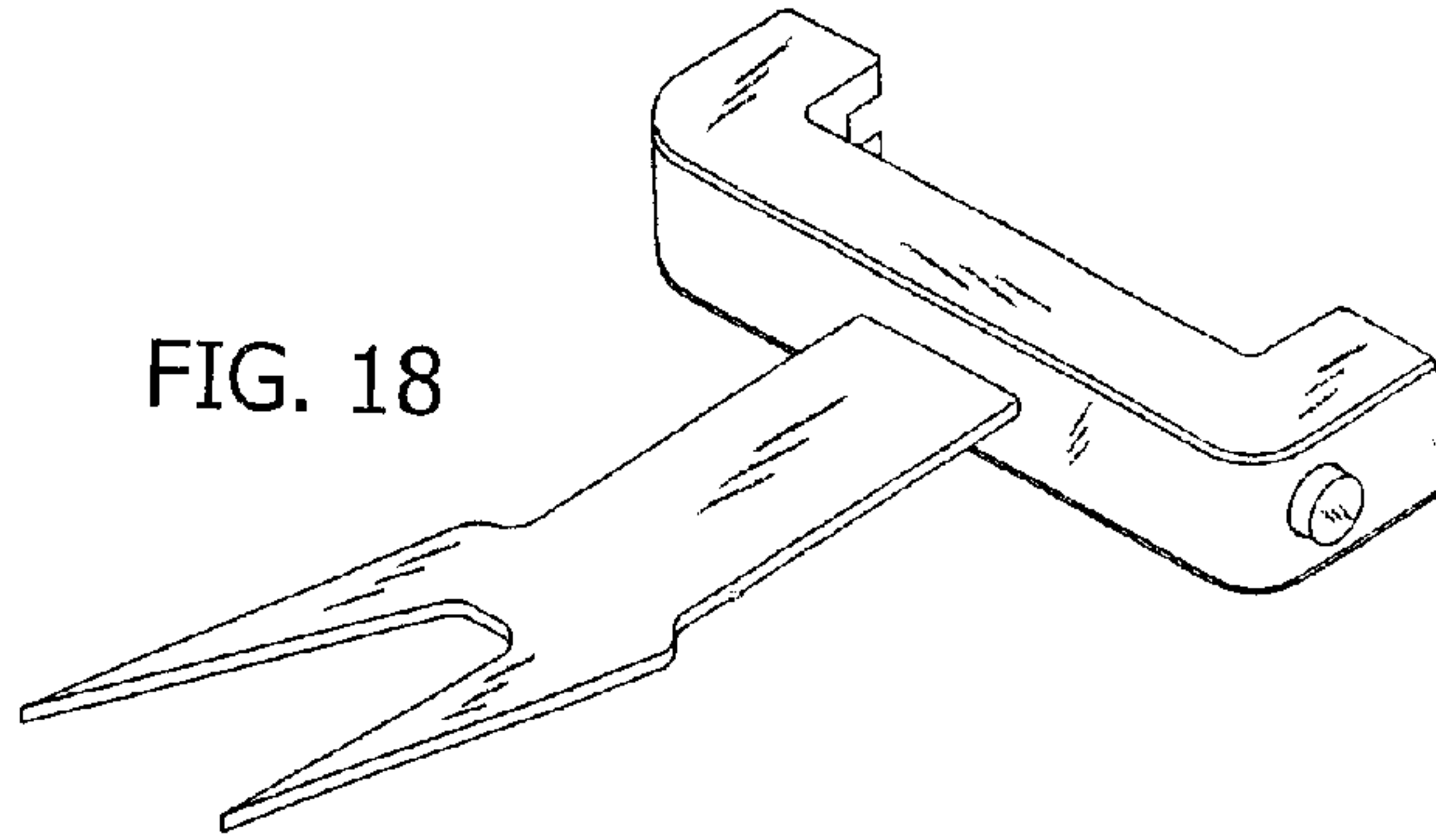


FIG. 18

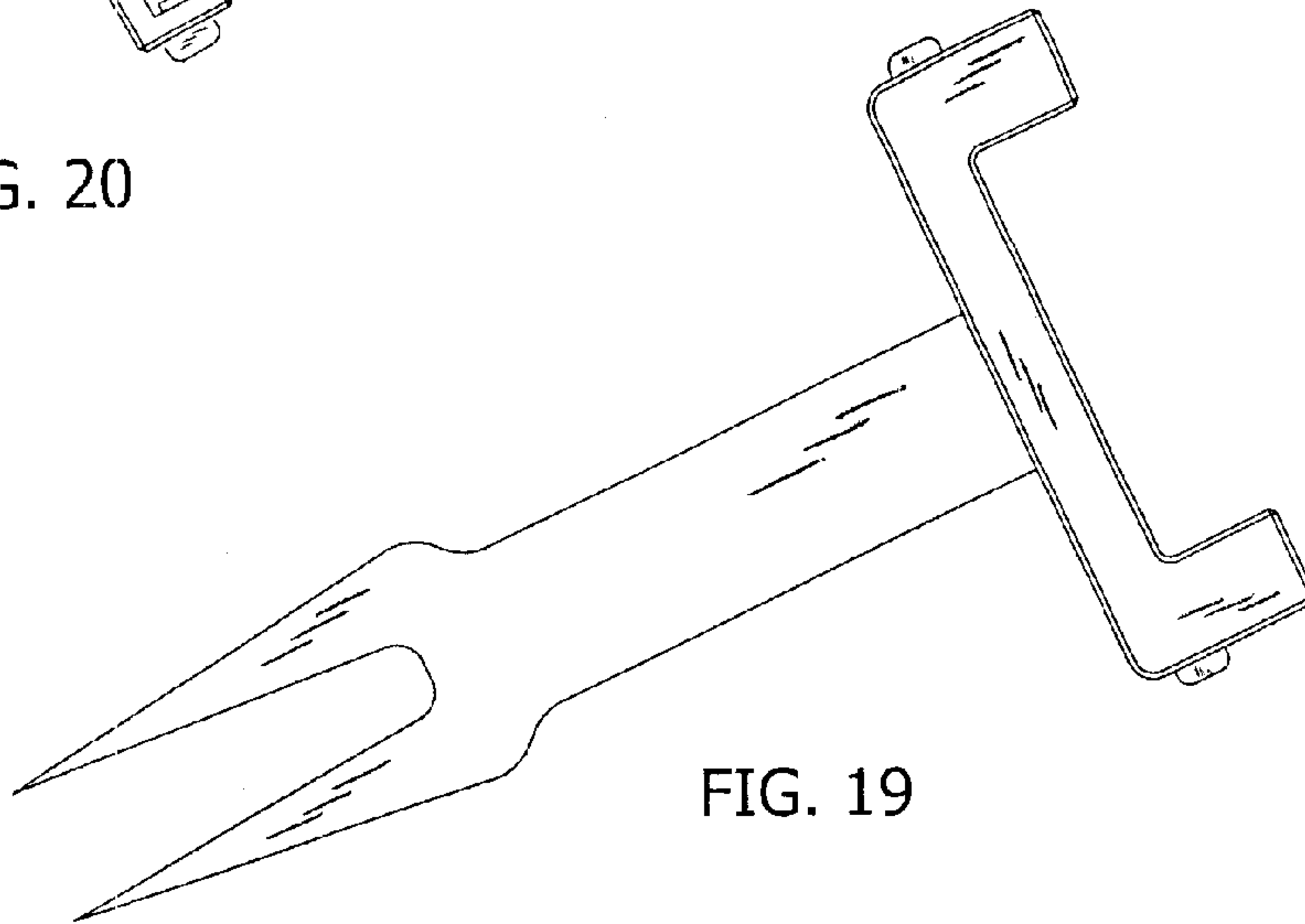


FIG. 19

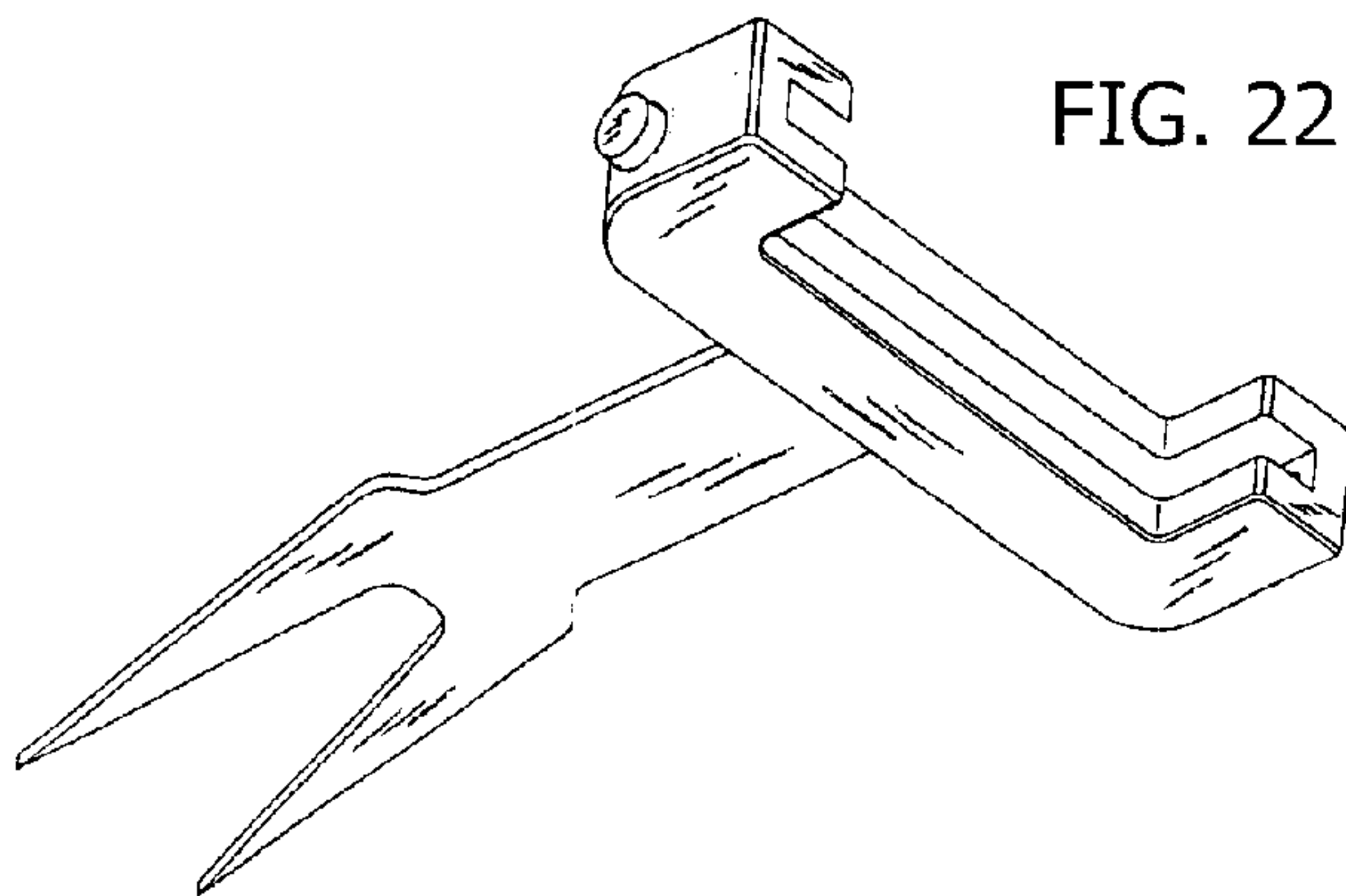


FIG. 22

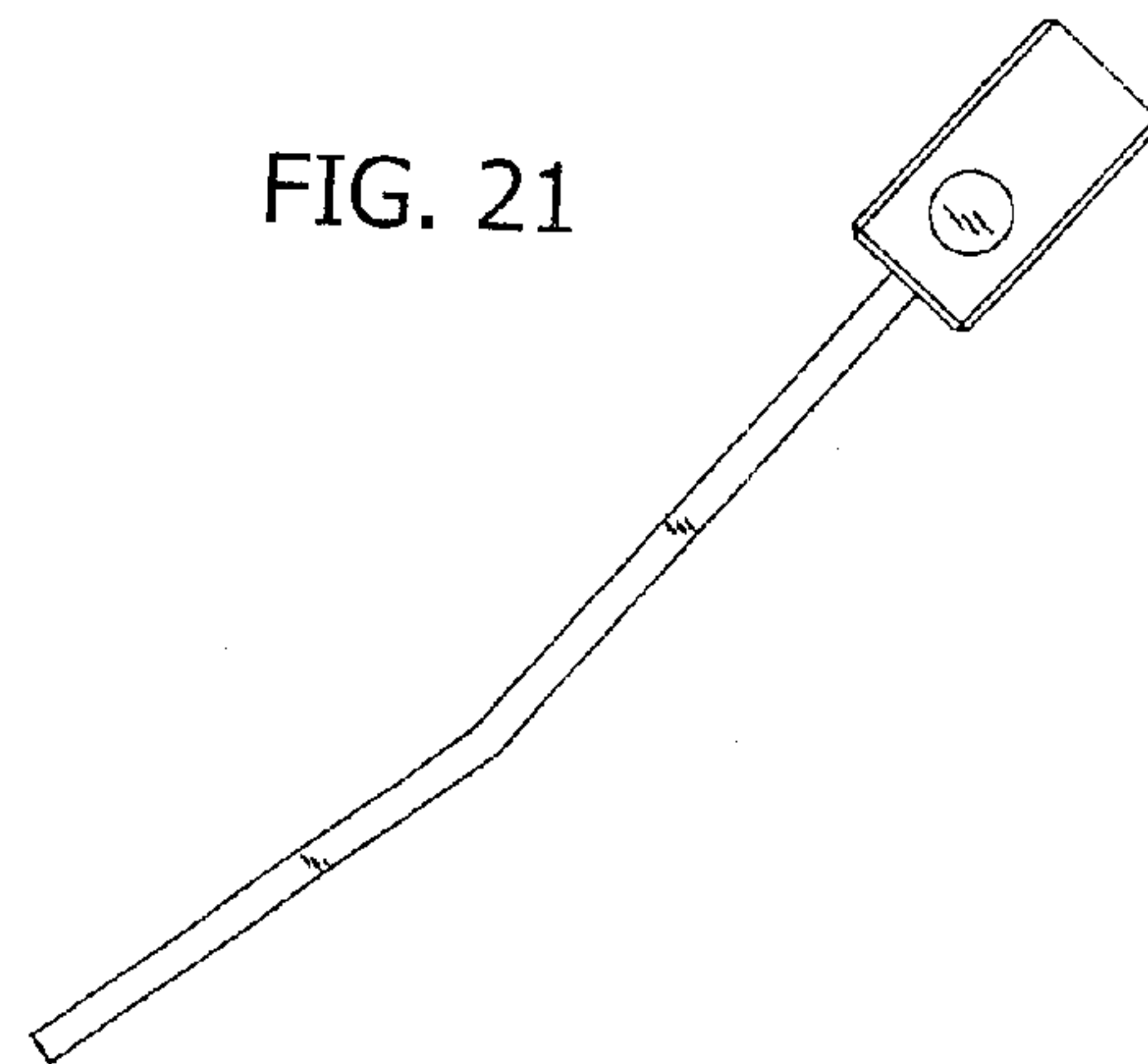


FIG. 21

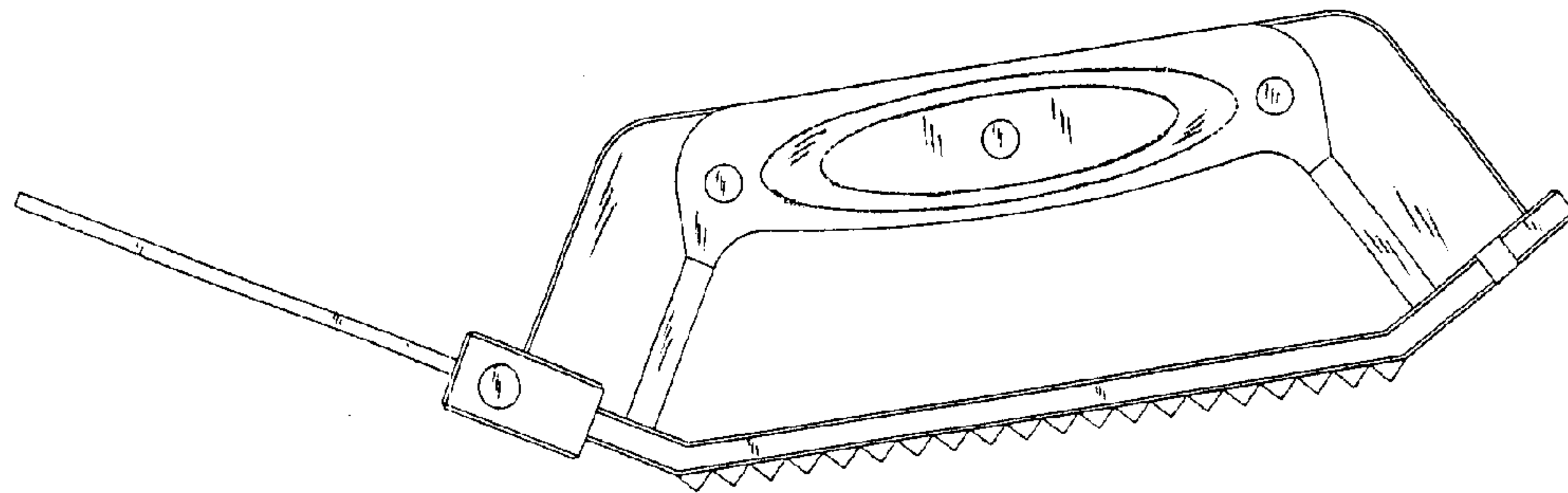


FIG. 23

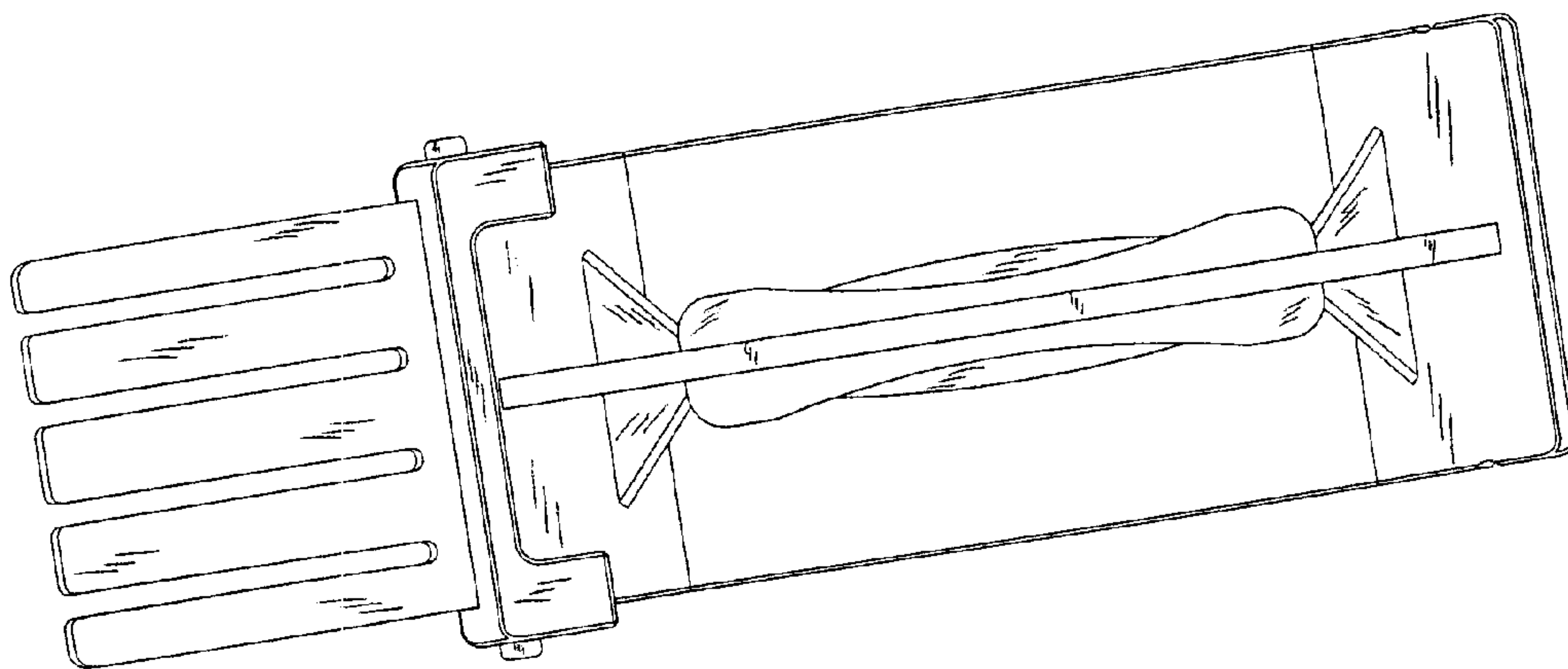


FIG. 24

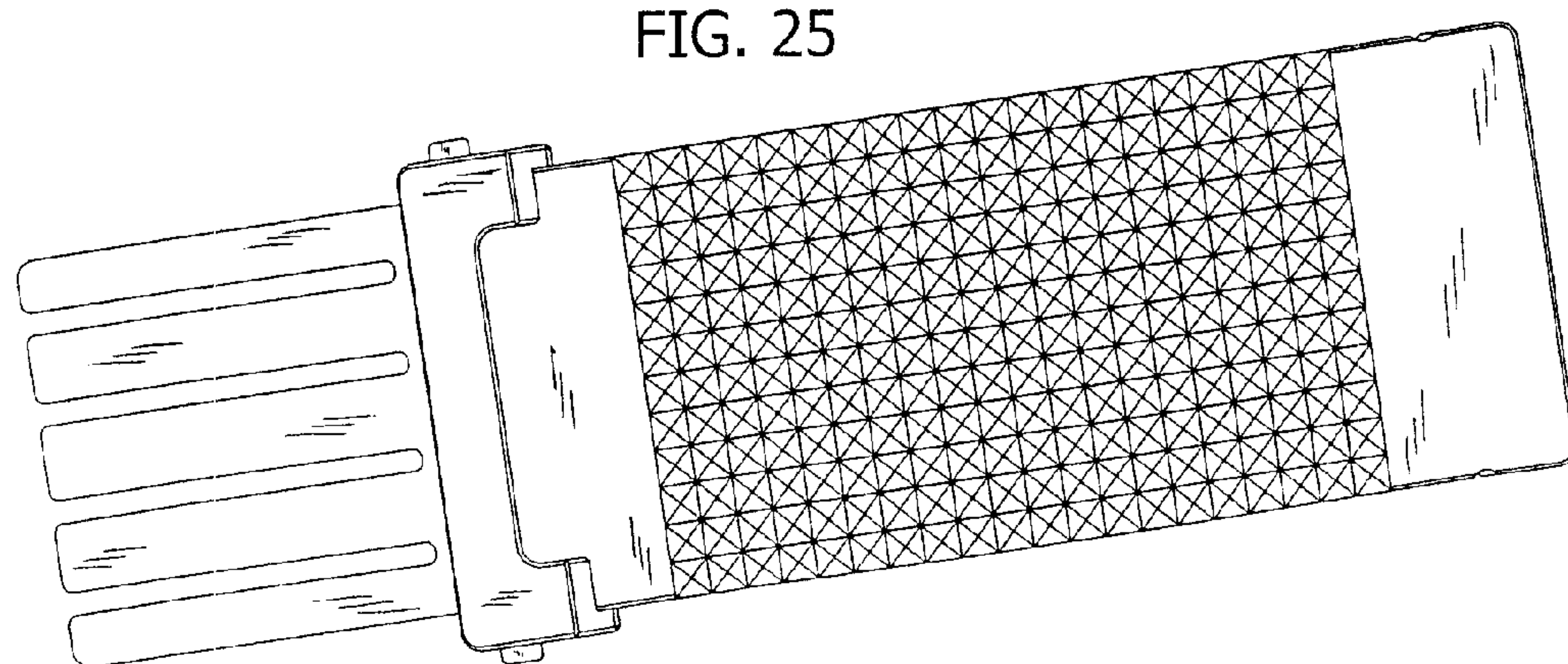


FIG. 25

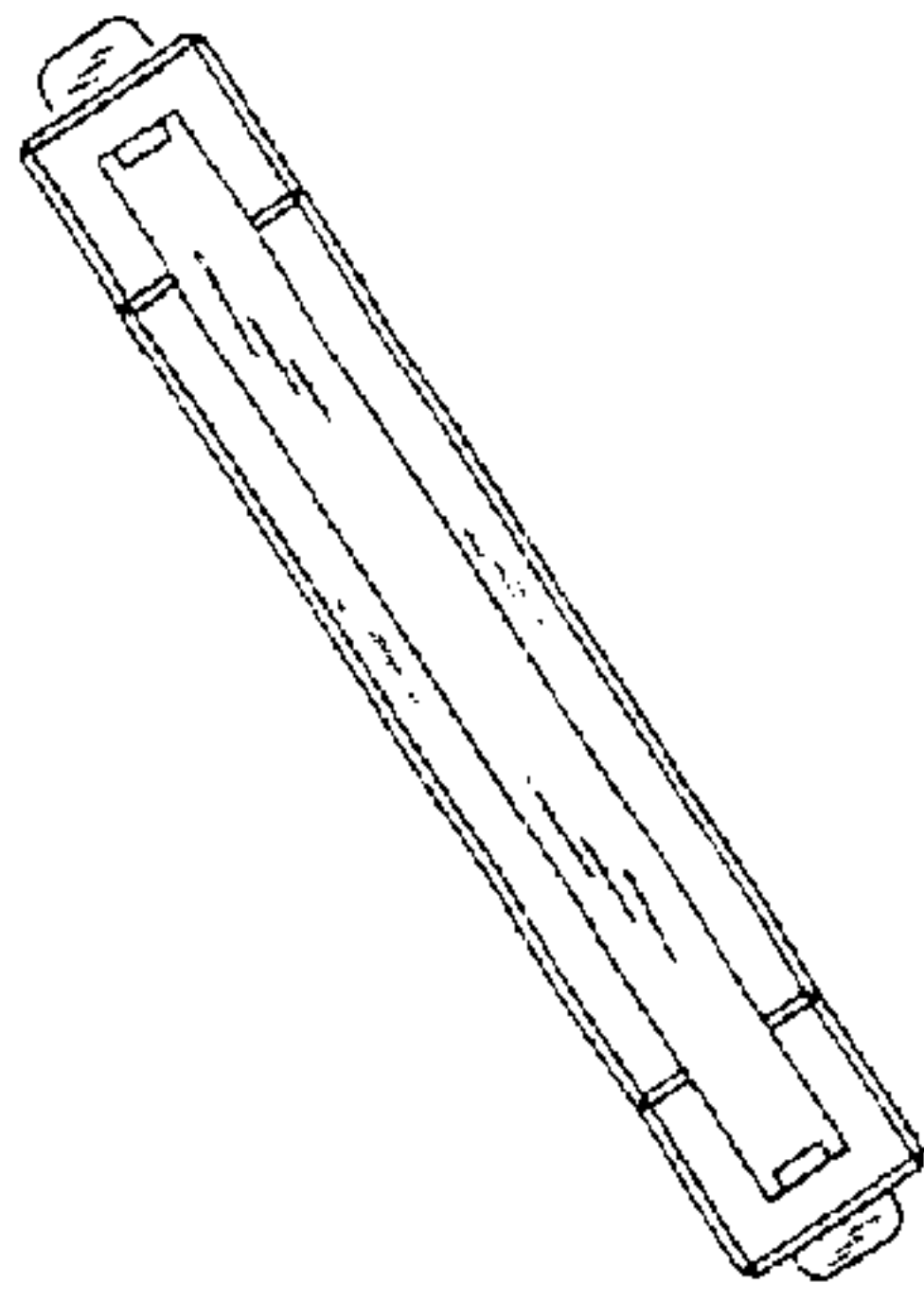


FIG. 28

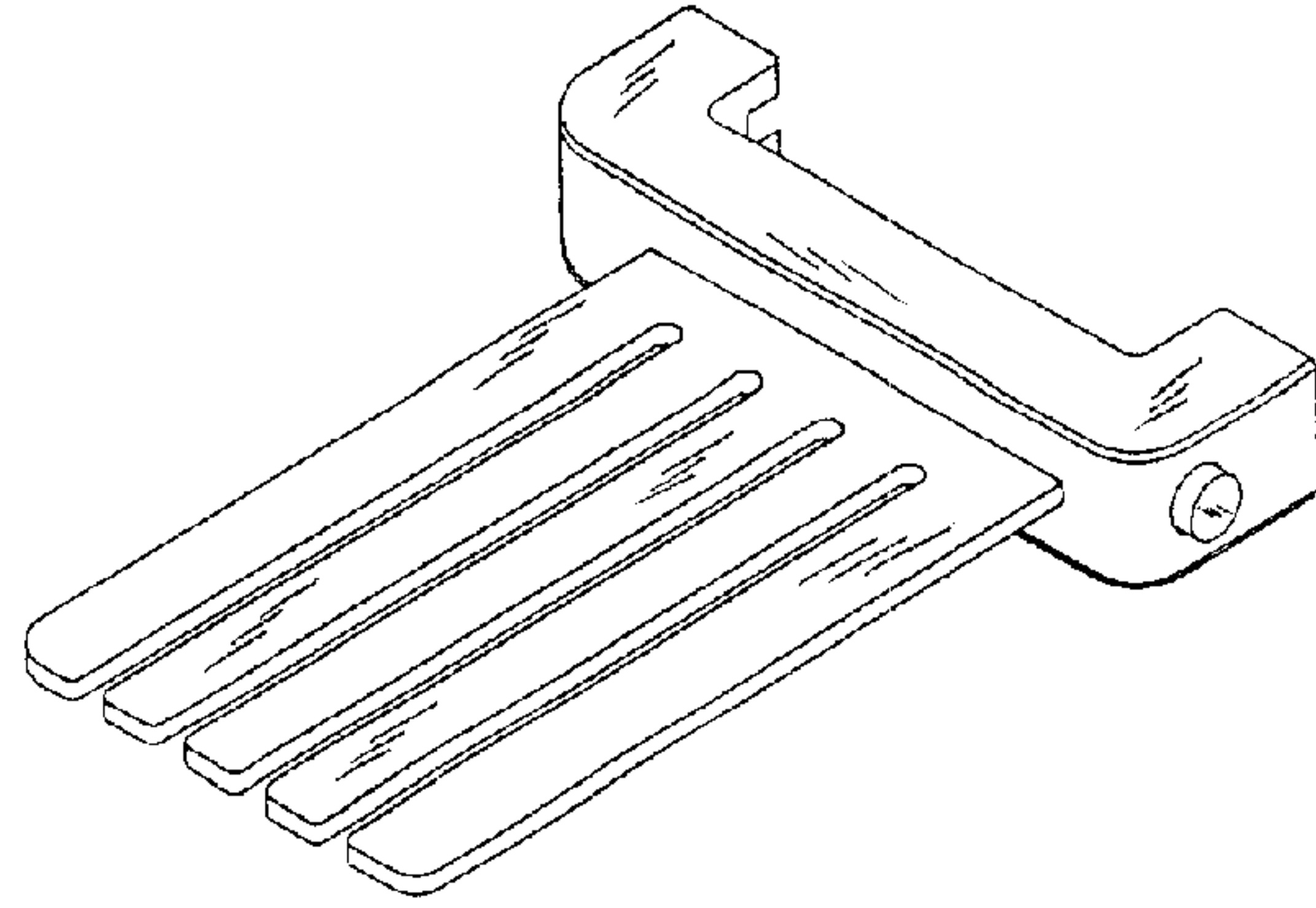


FIG. 26

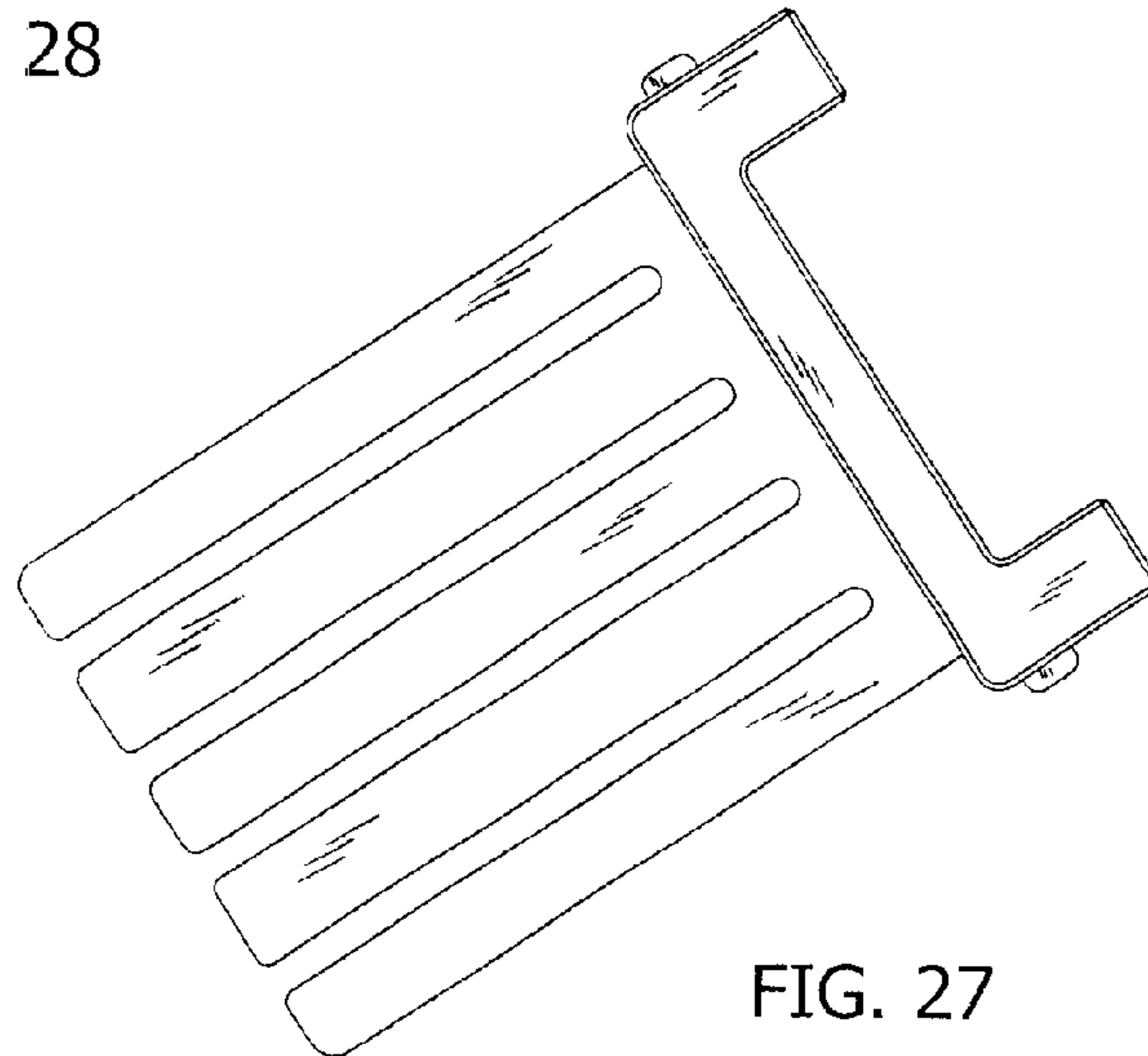


FIG. 27

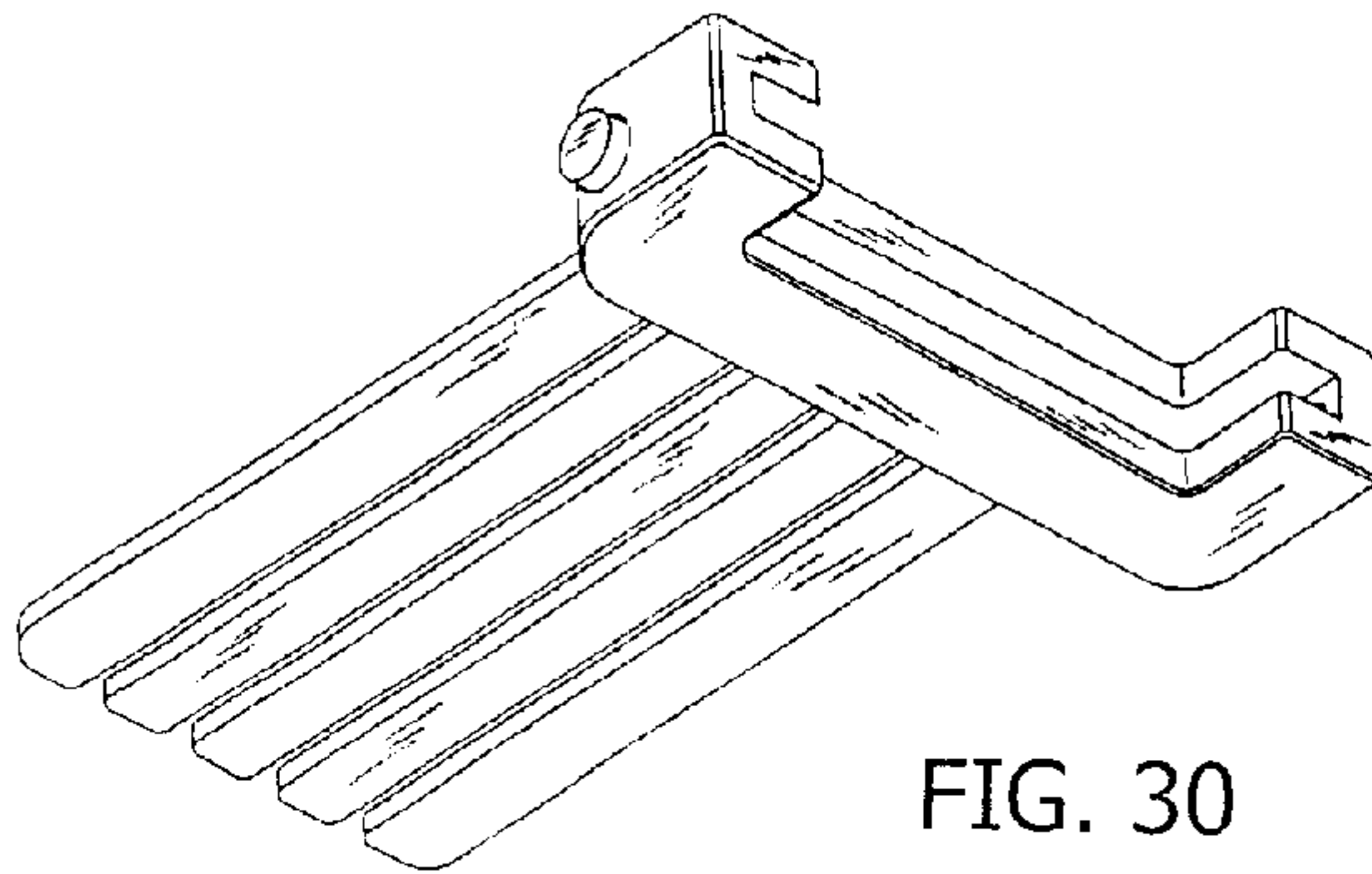


FIG. 30

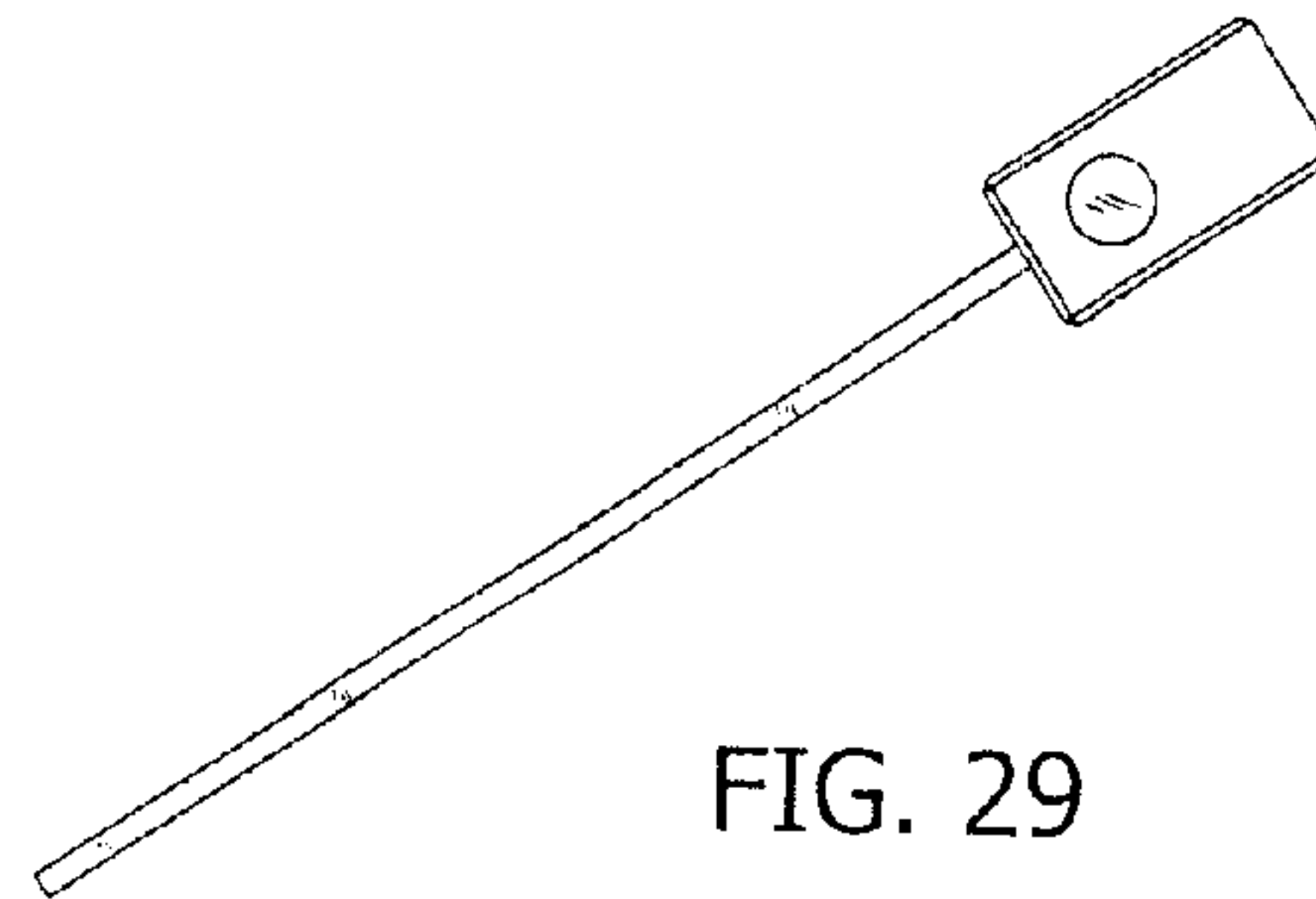


FIG. 29

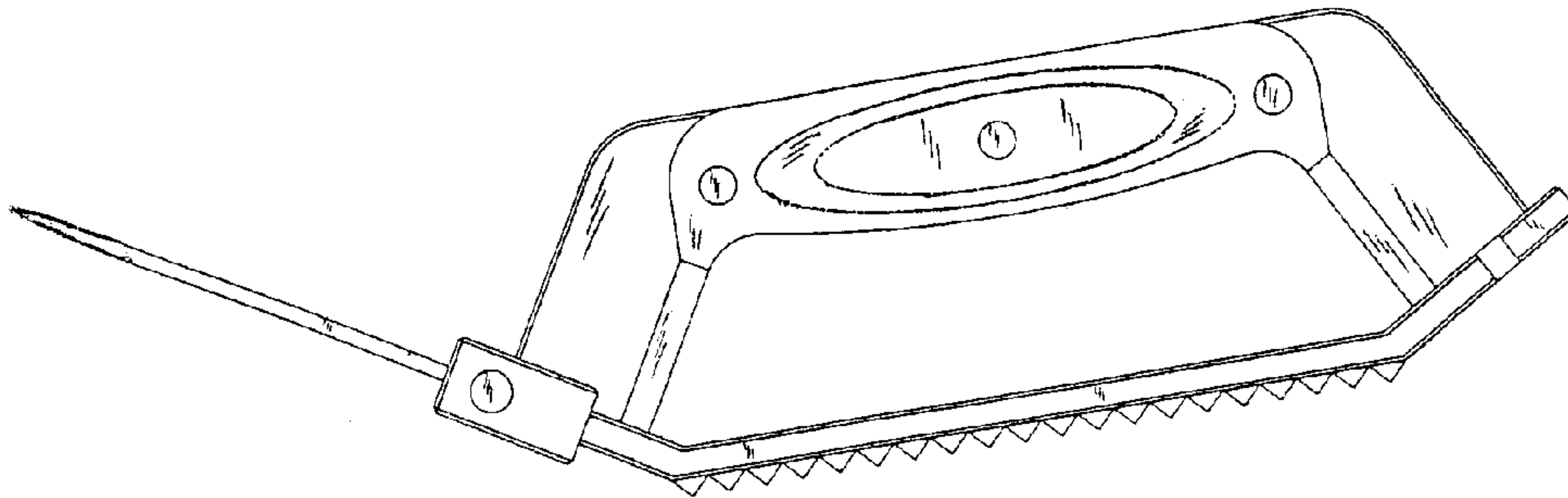


FIG. 31

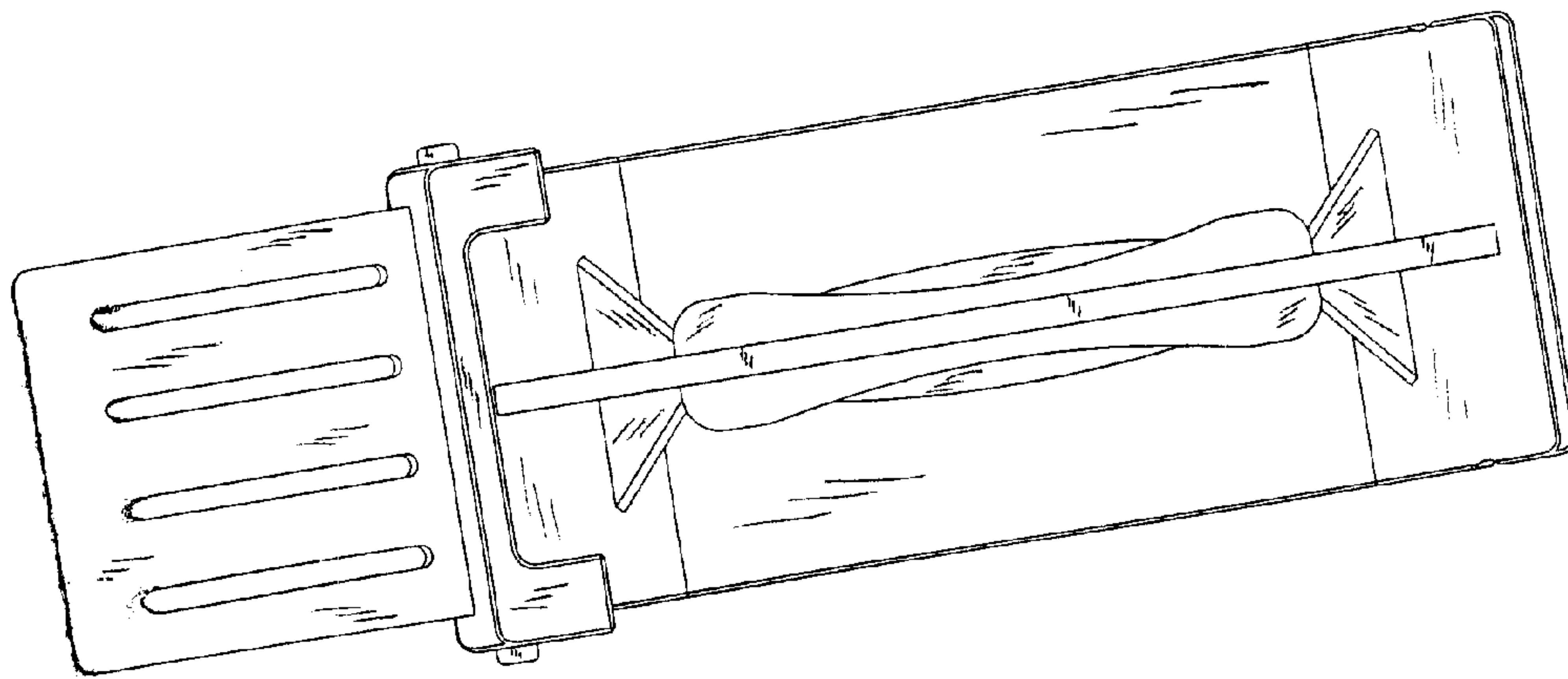


FIG. 32

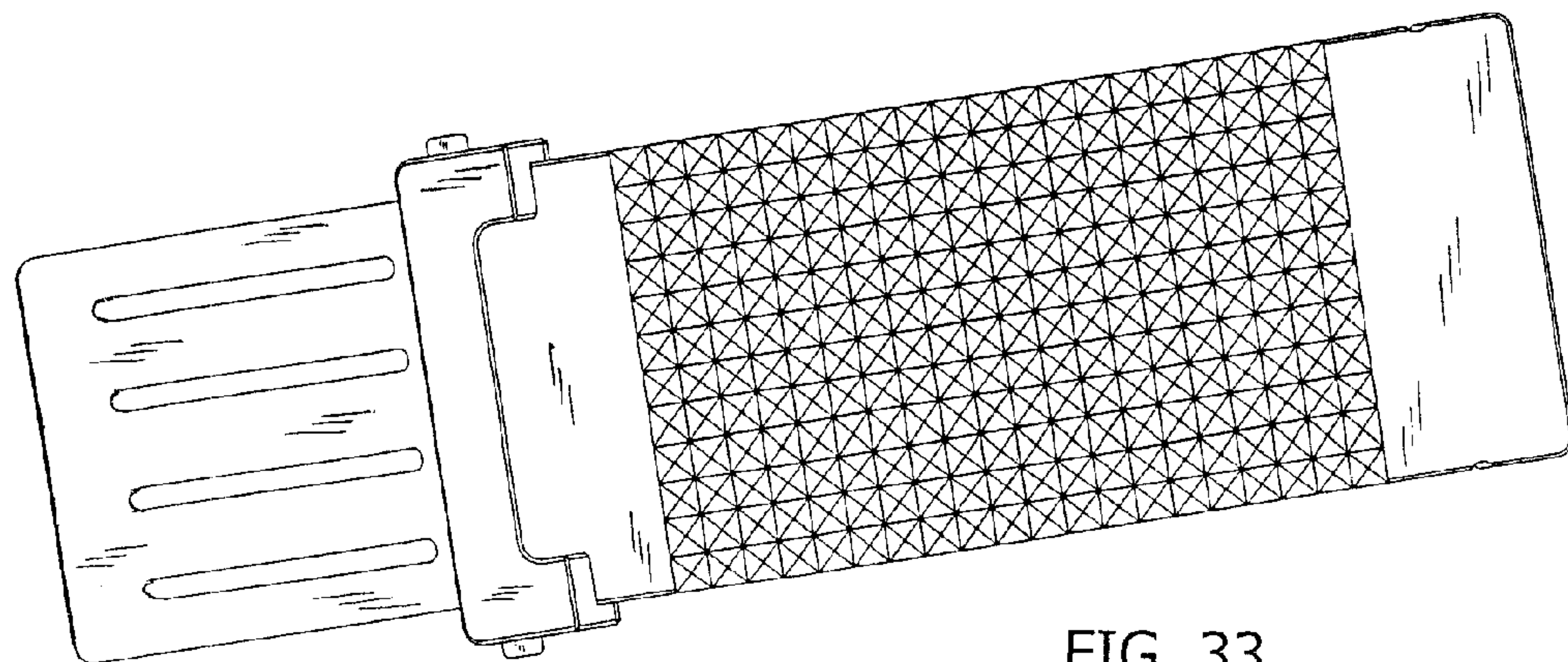
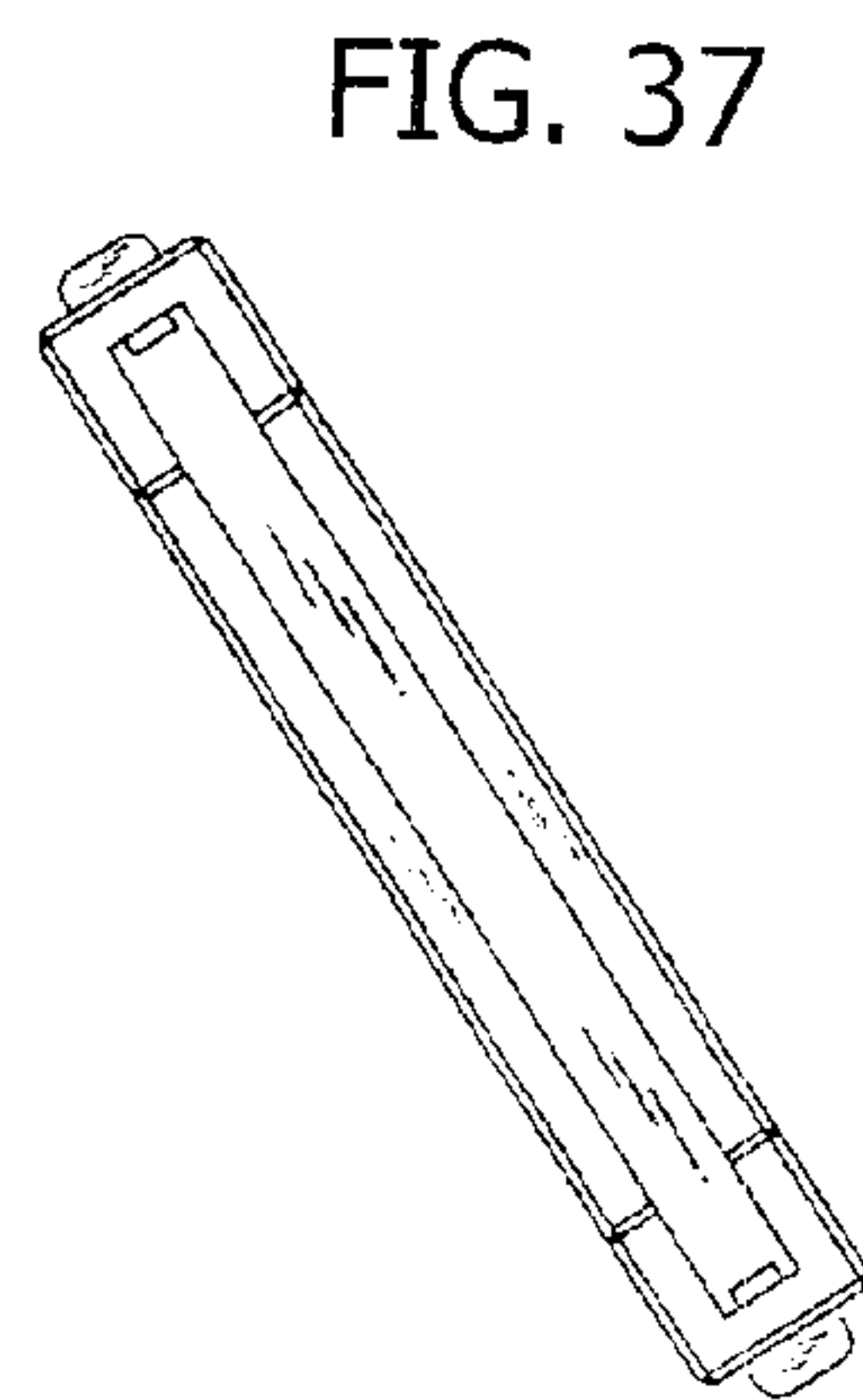
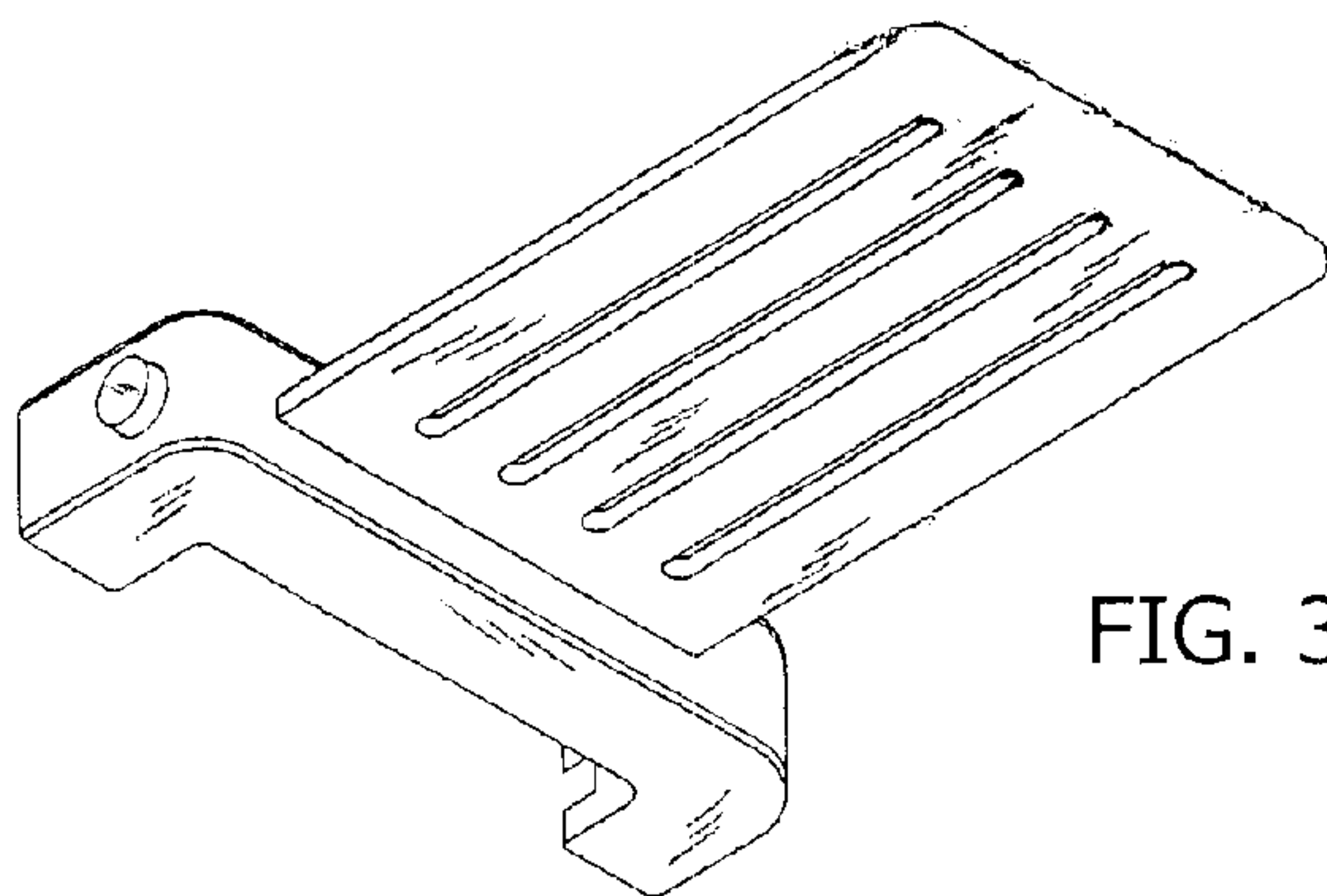
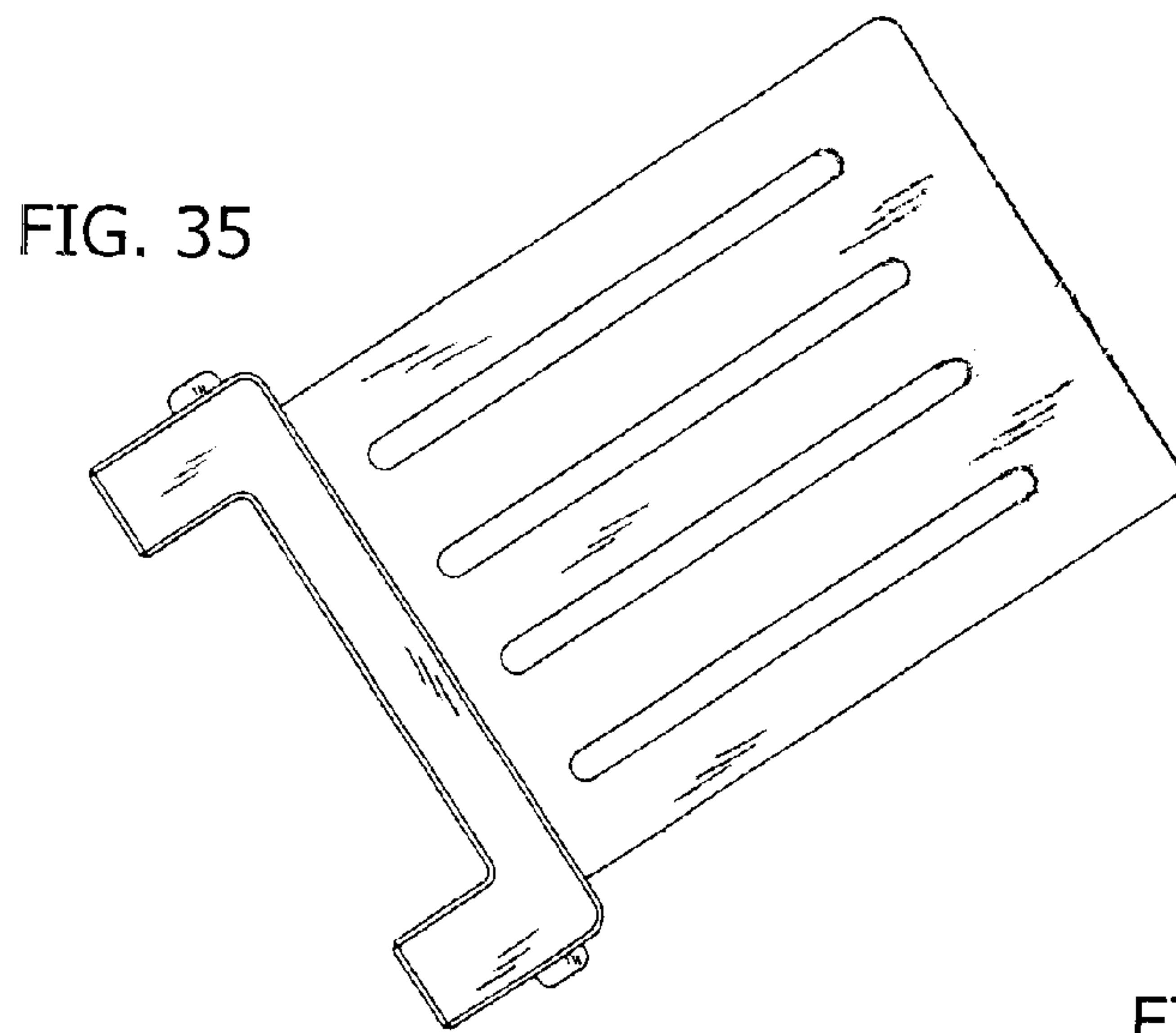
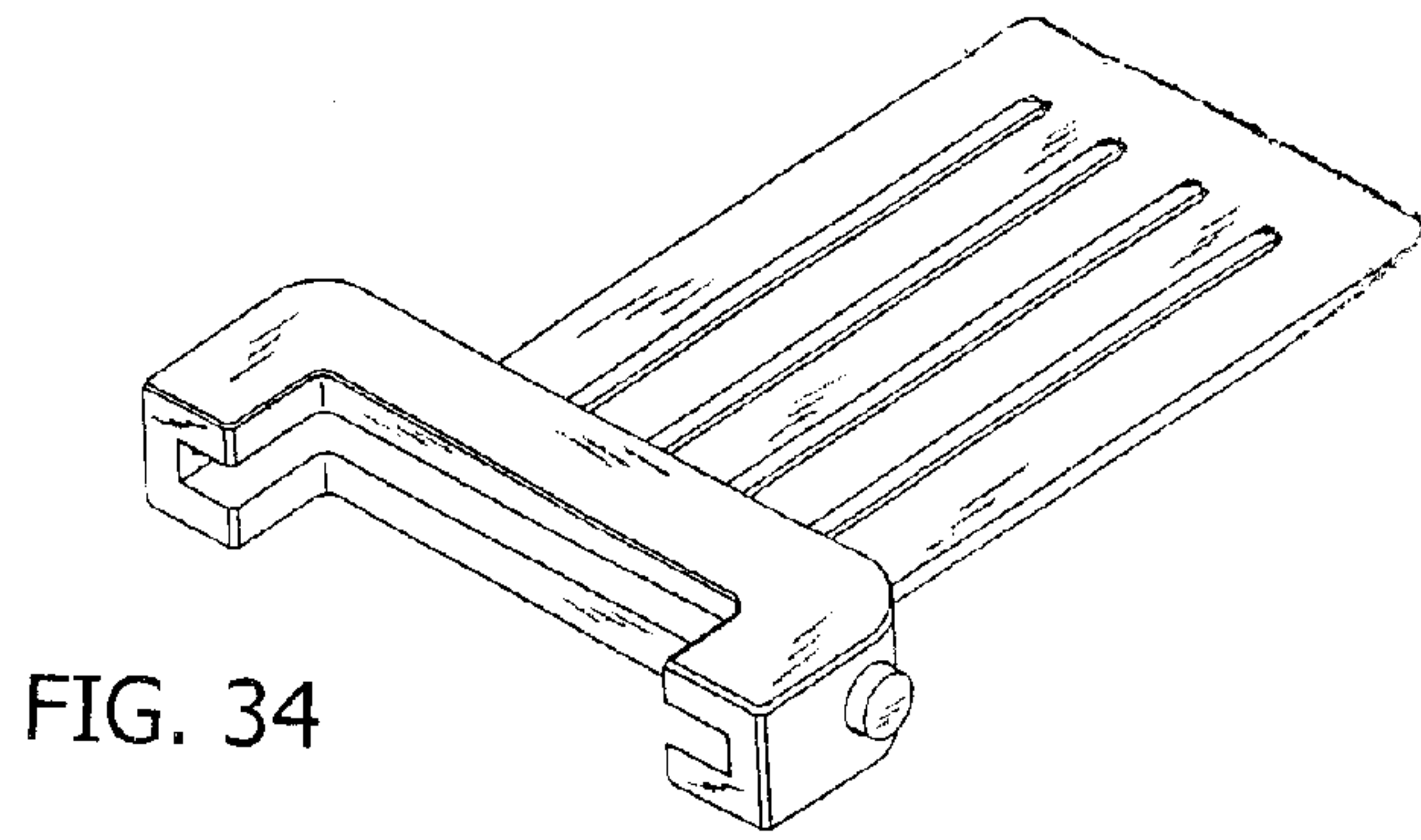
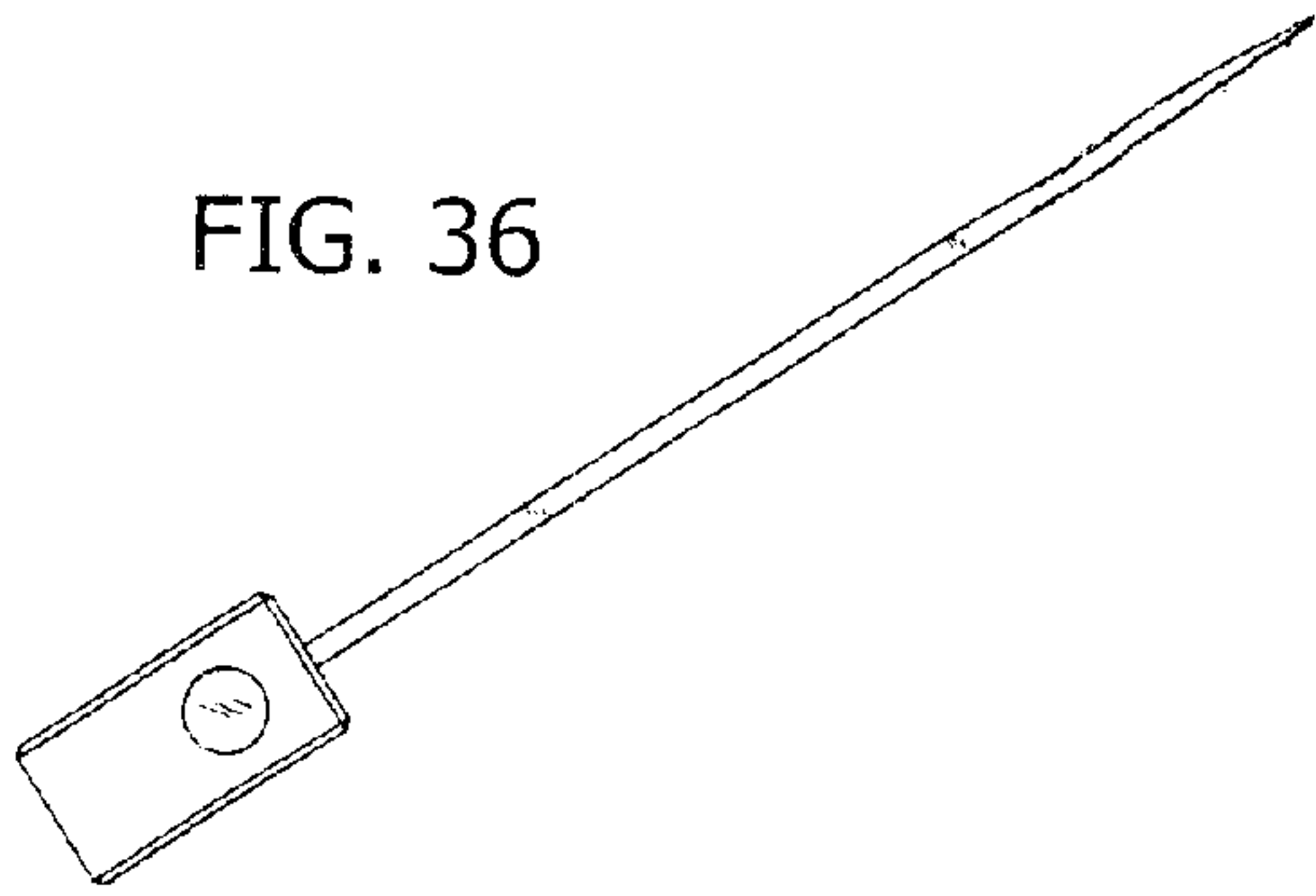


FIG. 33



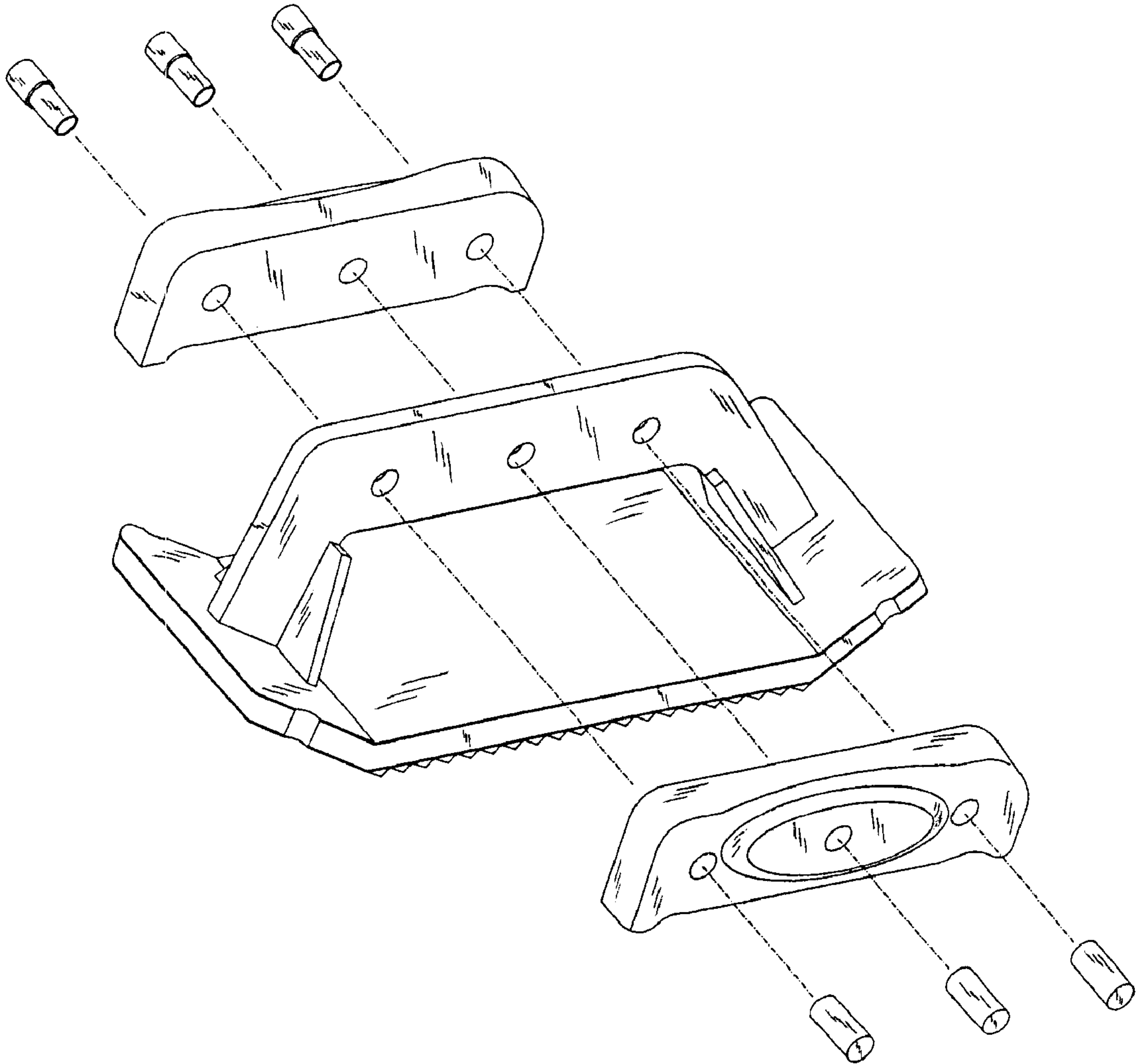


FIG. 39