

US00D536219S

(12) **United States Design Patent**
Gearing

(10) **Patent No.:** **US D536,219 S**

(45) **Date of Patent:** **** Feb. 6, 2007**

(54) **DECORATIVE ICE CHEST**

(76) **Inventor:** **Jay Gearing**, 4135 Beach Creek Way
#307, Fayetteville, AR (US) 72703

(**) **Term:** **14 Years**

(21) **Appl. No.:** **29/240,104**

(22) **Filed:** **Oct. 7, 2005**

(51) **LOC (8) Cl.** **07-01**

(52) **U.S. Cl.** **D7/606**

(58) **Field of Classification Search** D7/605-608;
D34/12, 14, 24; 62/457.1, 457.9, 371, 372;
220/915.1, 915.2, 592.01, 592.03, 592.09,
220/592.16, 592.2; 280/645, 655.1, 638,
280/652, 47.131, 47.17, 47.2, 47.23, 47.24,
280/47.33, 47.21

See application file for complete search history.

(56) **References Cited**

U.S. PATENT DOCUMENTS

- 4,976,448 A * 12/1990 Wickersham et al. 280/47.2
- D387,625 S * 12/1997 Kai Fai D7/605
- D415,658 S * 10/1999 Frehse D7/605
- D493,674 S * 8/2004 Lowe D7/606

* cited by examiner

Primary Examiner—Terry A. Wallace

(74) *Attorney, Agent, or Firm*—Keisling Pieper & Scott
PLC; Trent C. Keisling; David B. Pieper

(57) **CLAIM**

The ornamental design for a decorative ice chest, as shown
and described.

DESCRIPTION

FIG. 1 is a front side elevational view of a decorative ice
chest in a deployed position;

FIG. 2 is a left side elevational view thereof;

FIG. 3 is a right side elevational view thereof;

FIG. 4 is a back side elevational view thereof;

FIG. 5 is a front side elevational view of a decorative ice
chest in a stored position;

FIG. 6 is a left side elevational view thereof.

FIG. 7 is a right side elevational view thereof;

FIG. 8 is a back side elevational view thereof;

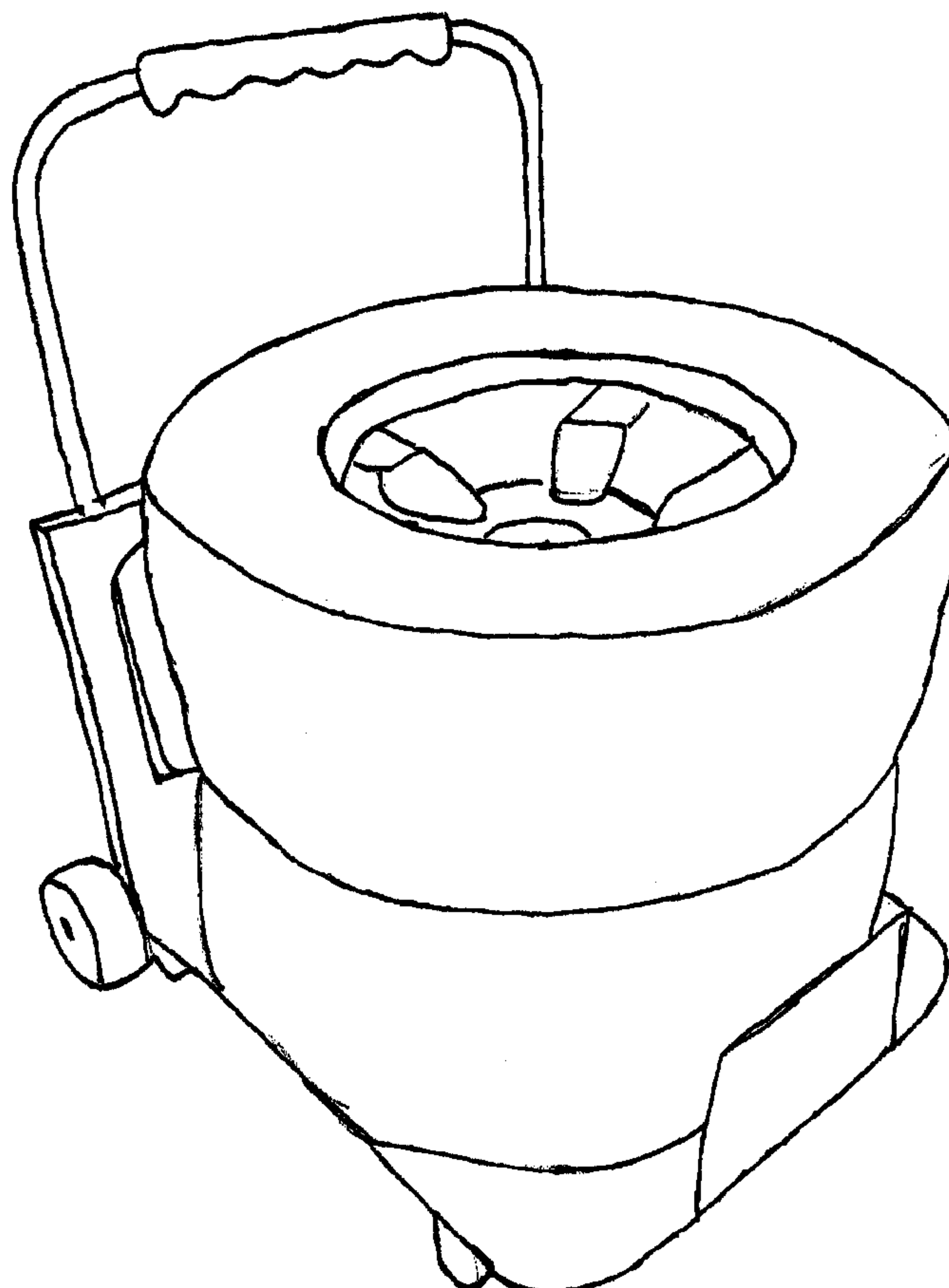
FIG. 9 is a top plan view thereof;

FIG. 10 is a bottom plan view thereof;

FIG. 11 is a perspective view of a decorative ice chest in a
deployed position; and,

FIG. 12 is a perspective view of the inner portion of a
decorative ice chest in a deployed position.

1 Claim, 12 Drawing Sheets



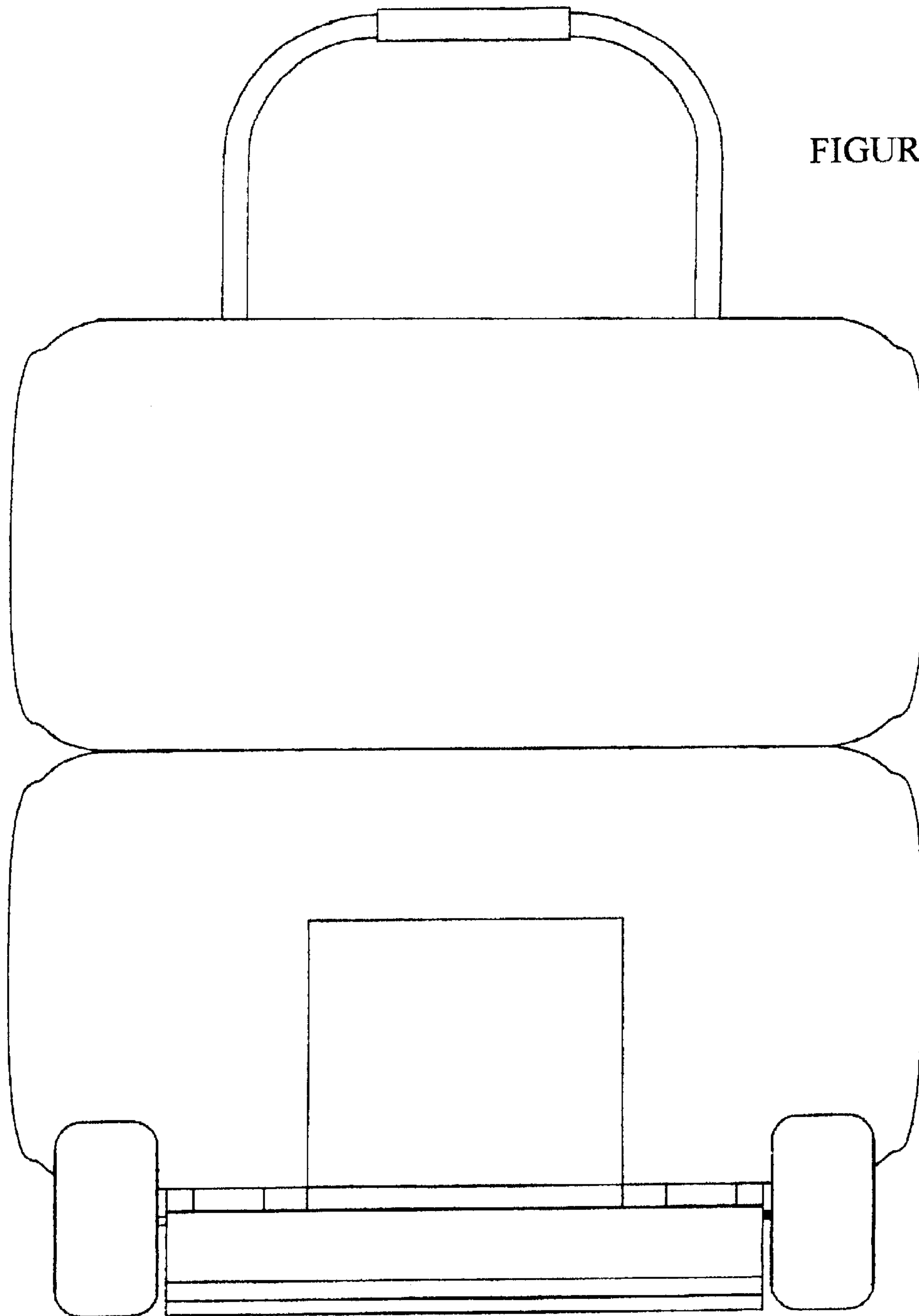


FIGURE 1

FIGURE 2

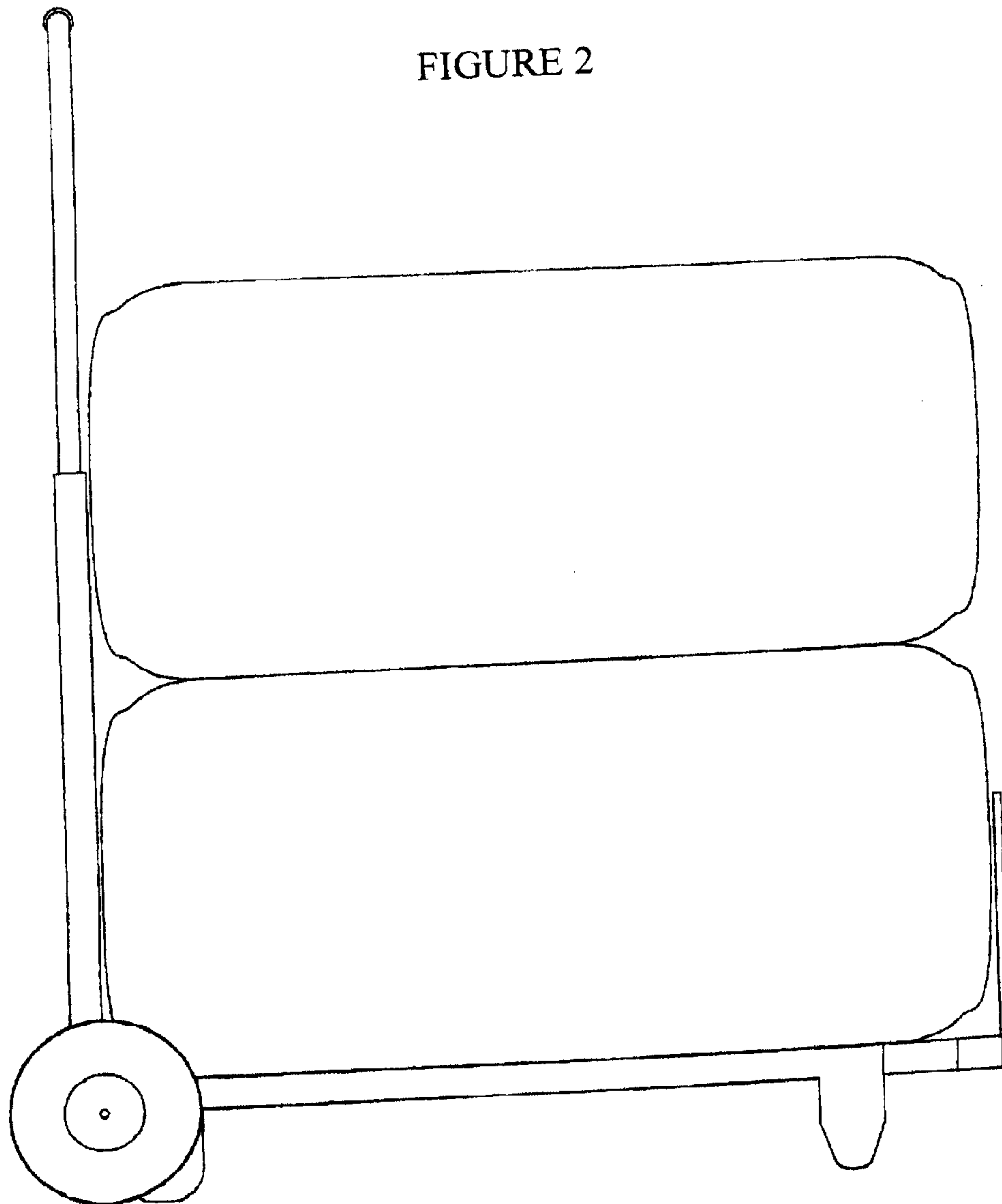
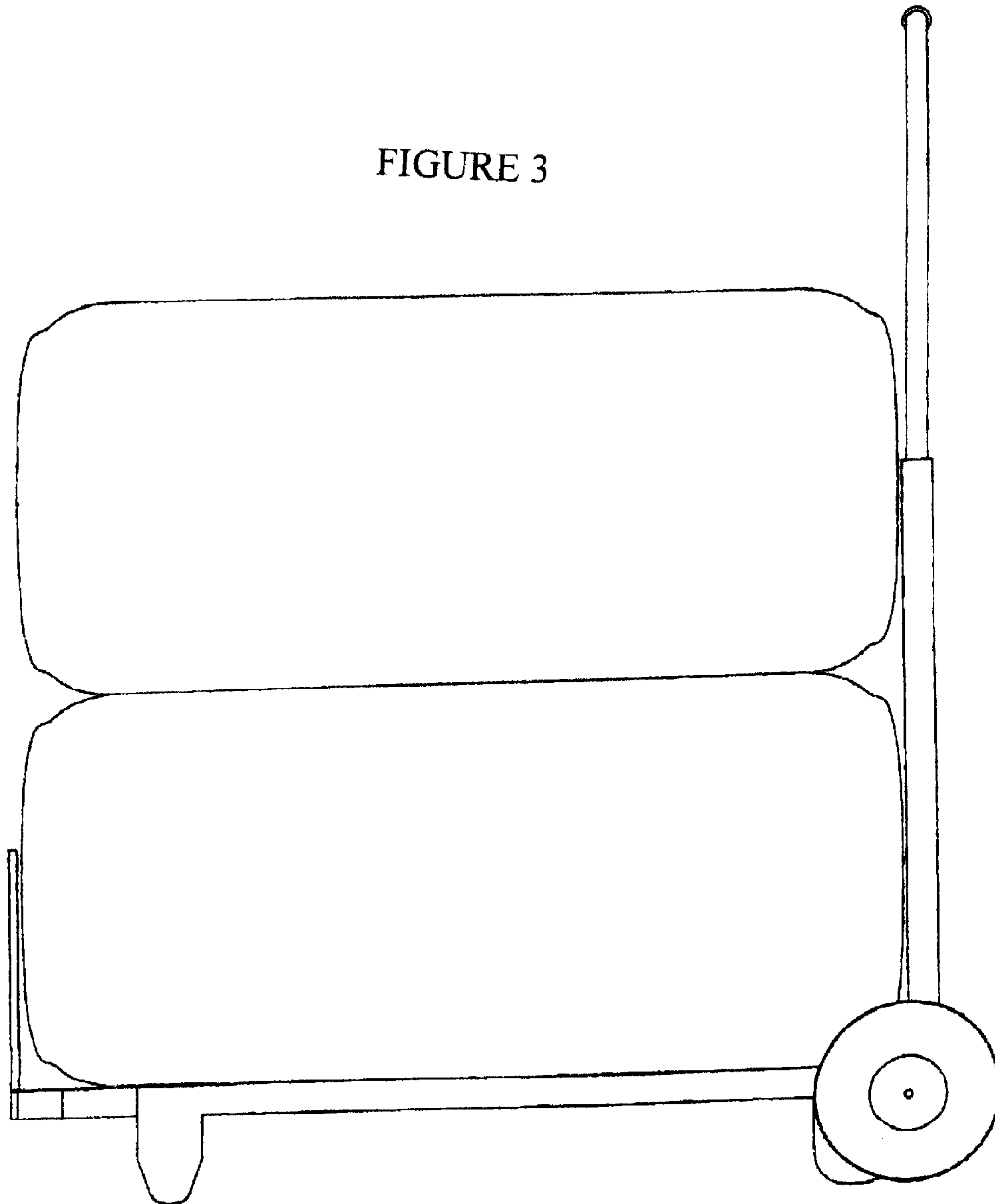


FIGURE 3



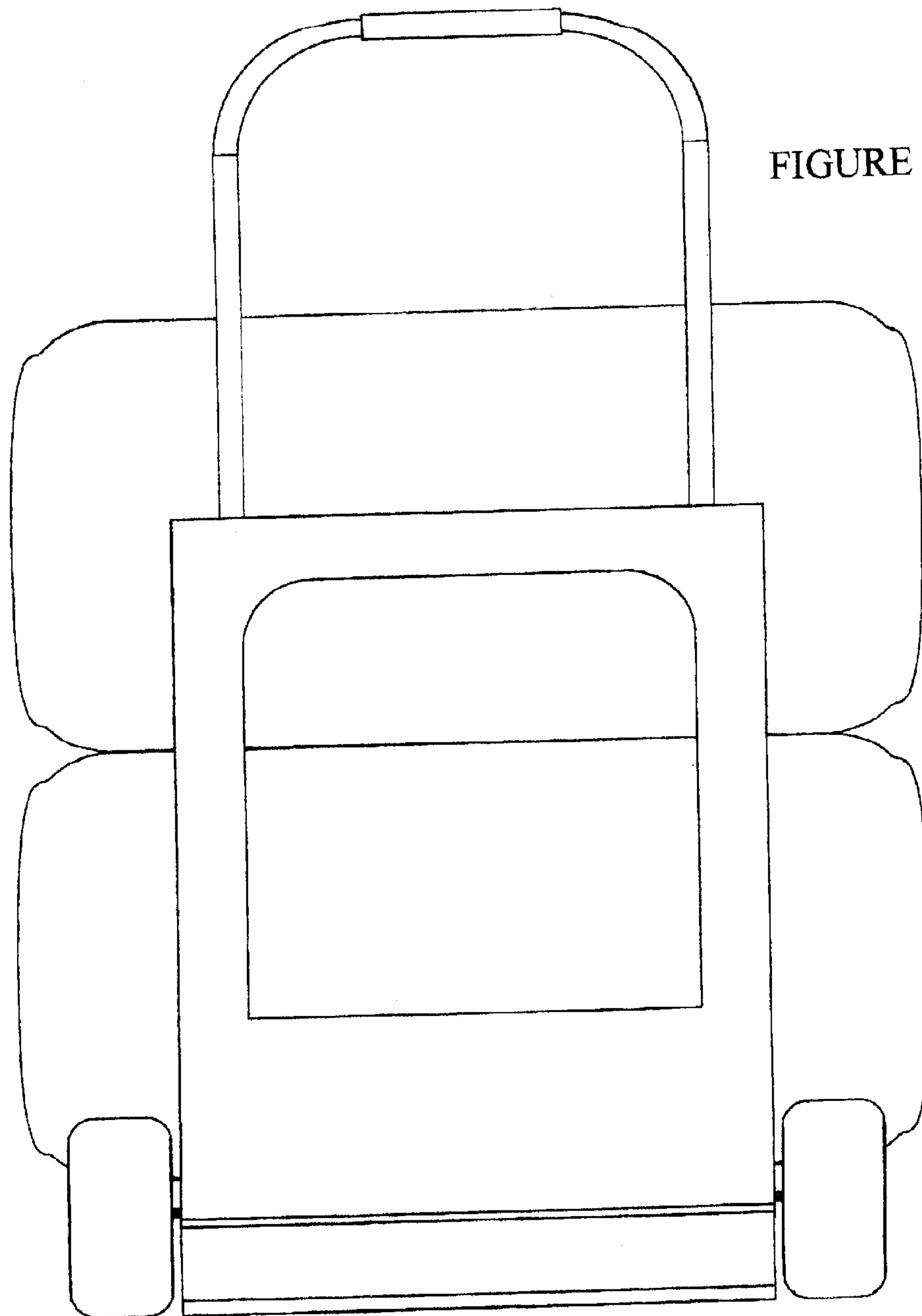


FIGURE 4

FIGURE 5

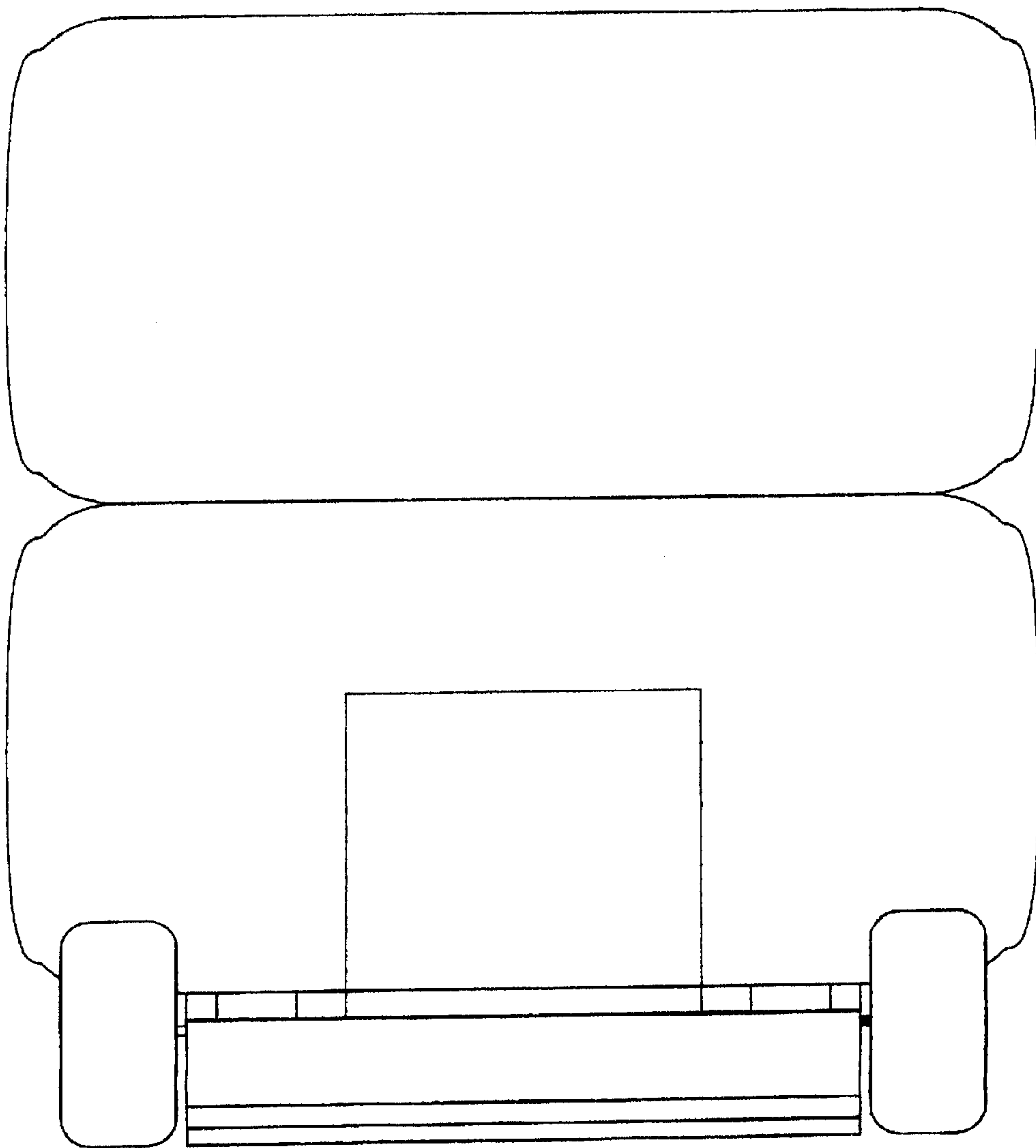


FIGURE 6

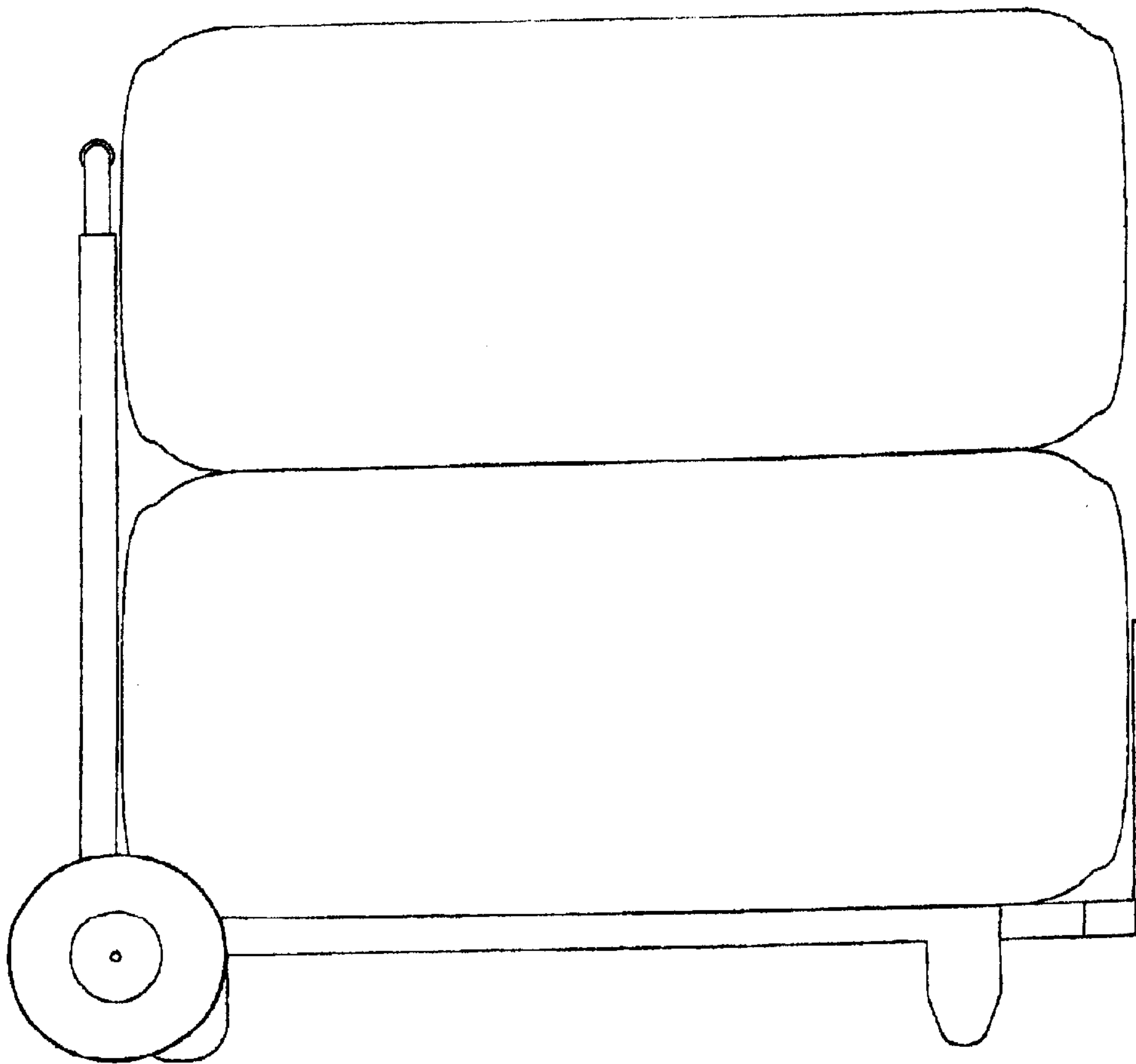


FIGURE 7

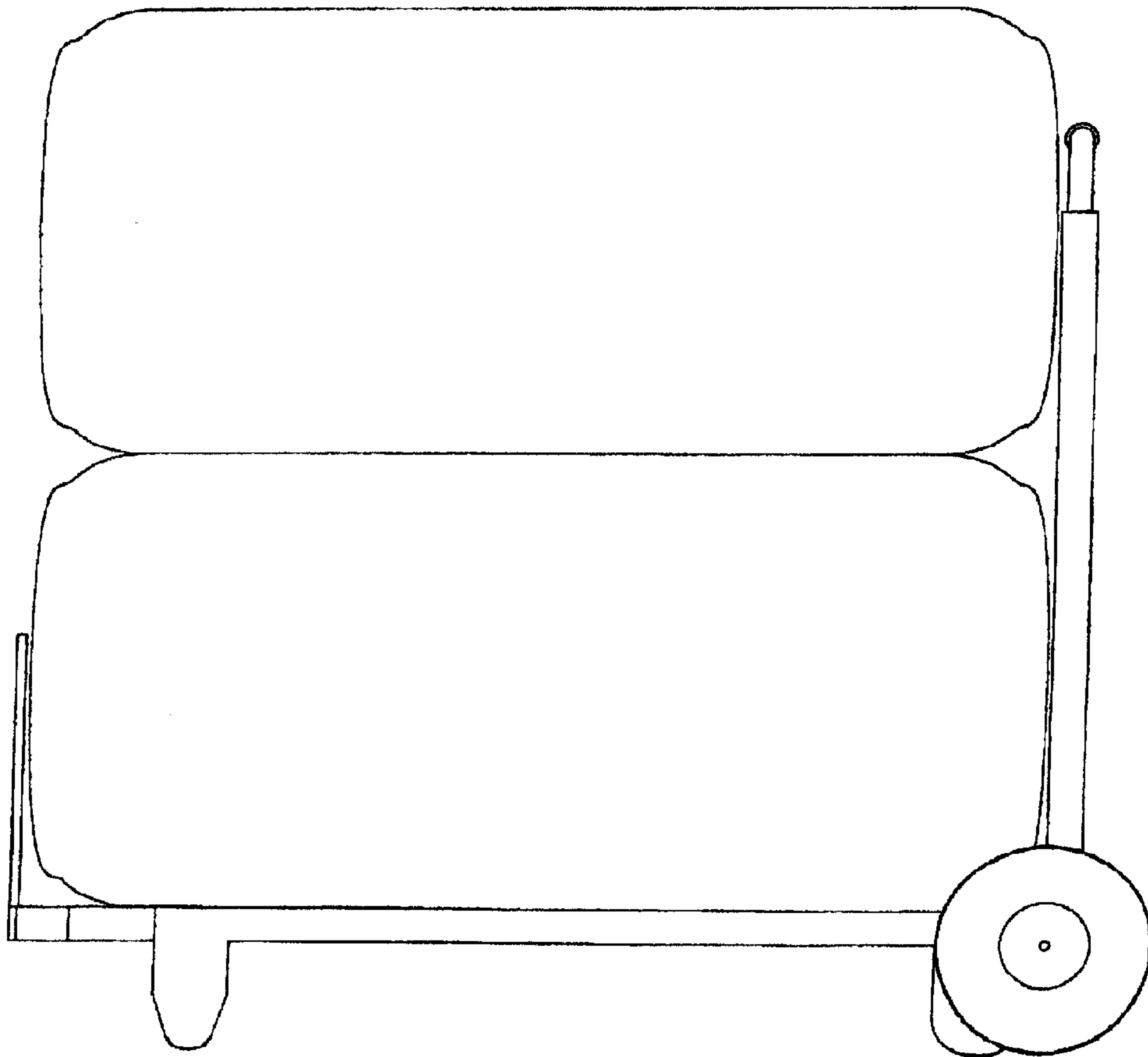


FIGURE 8

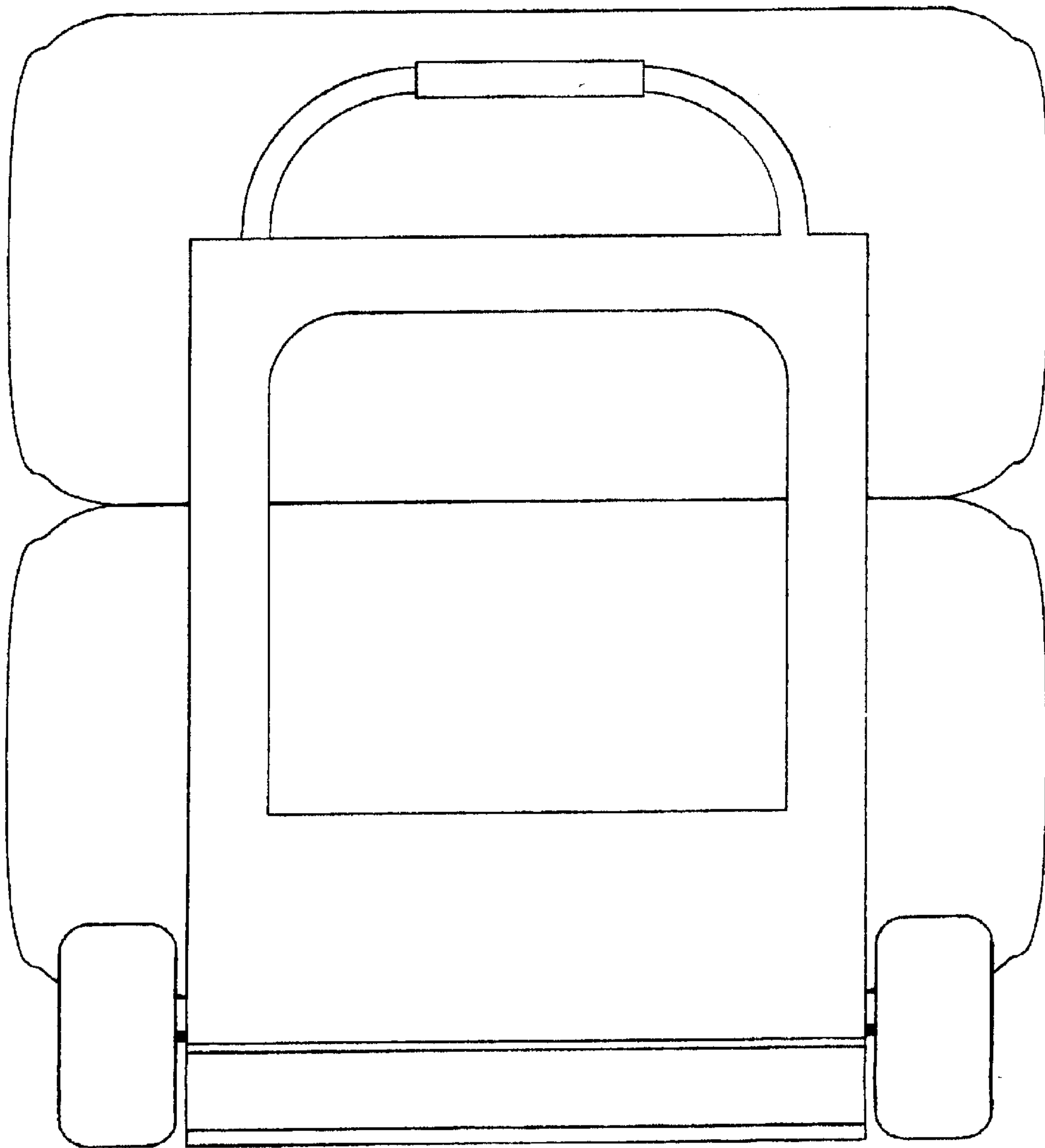
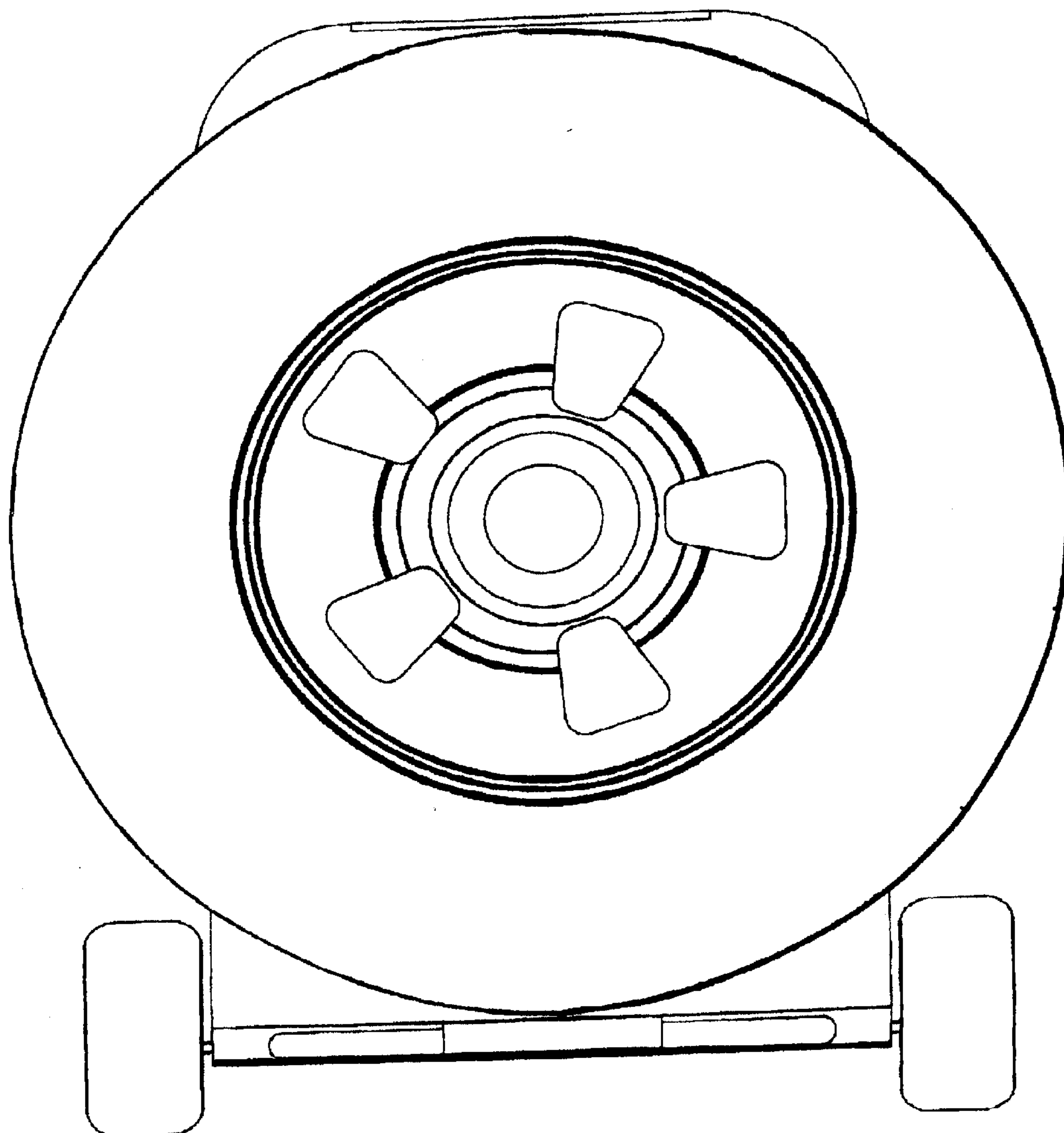
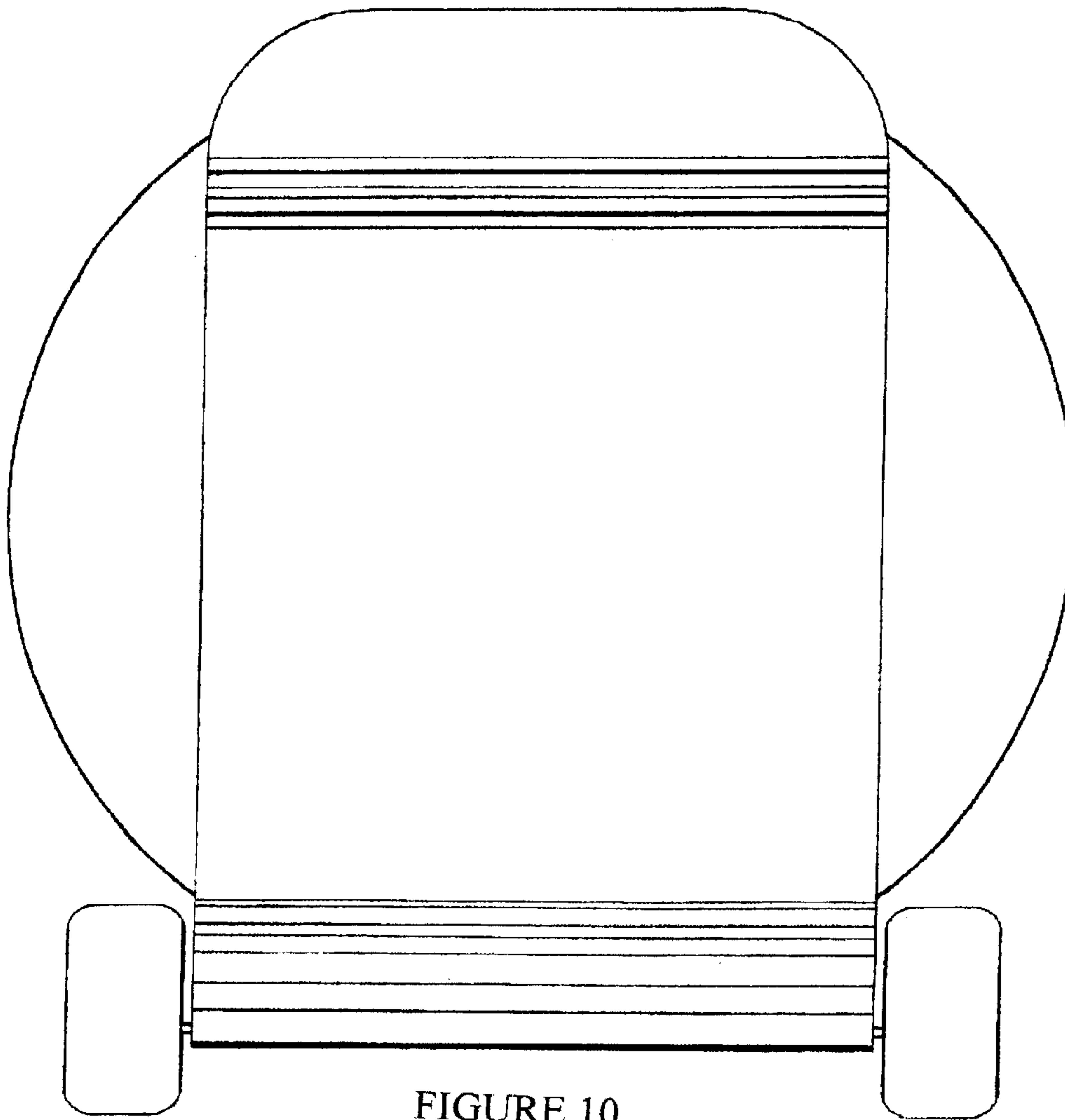


FIGURE 9





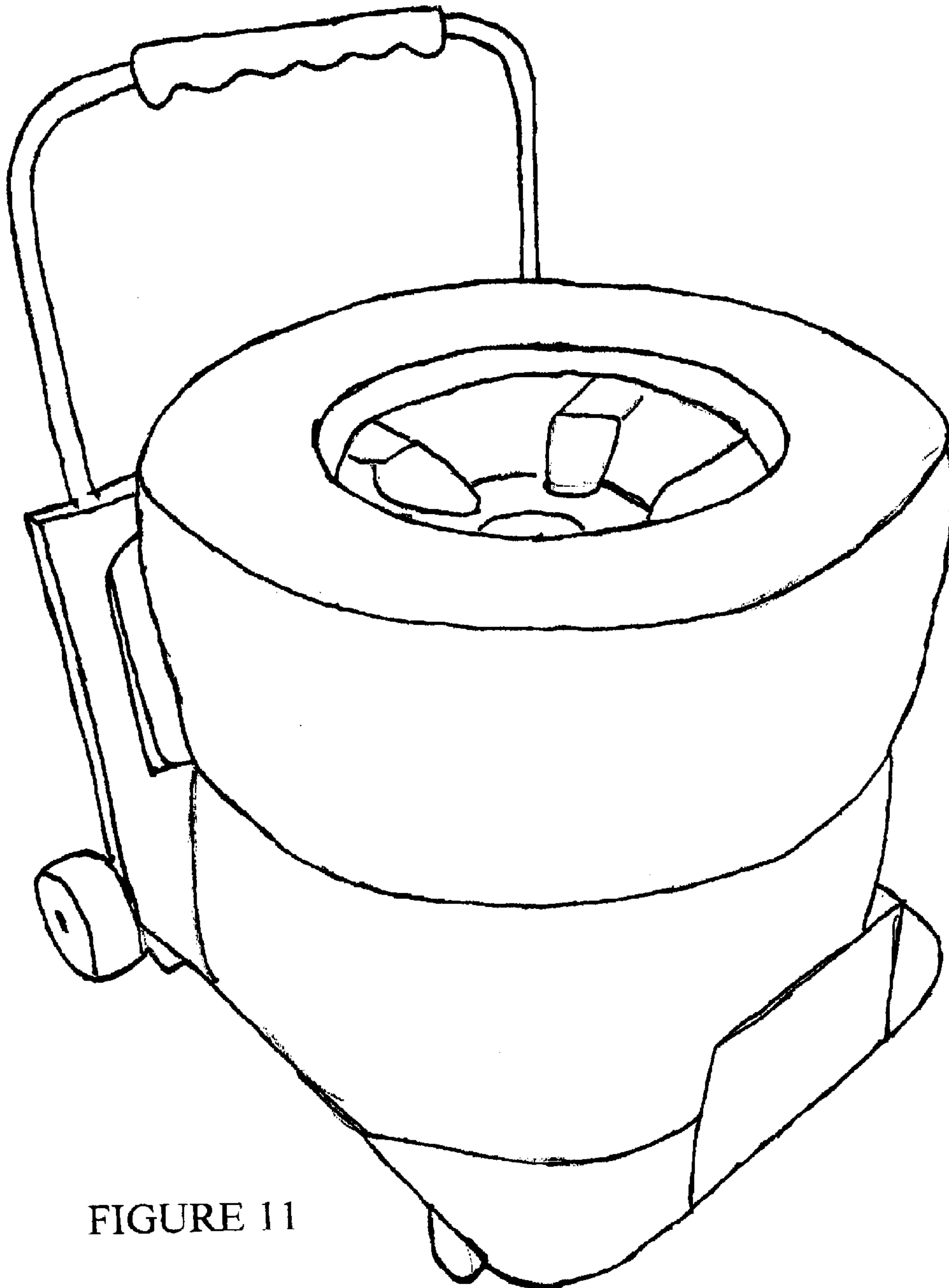


FIGURE 11

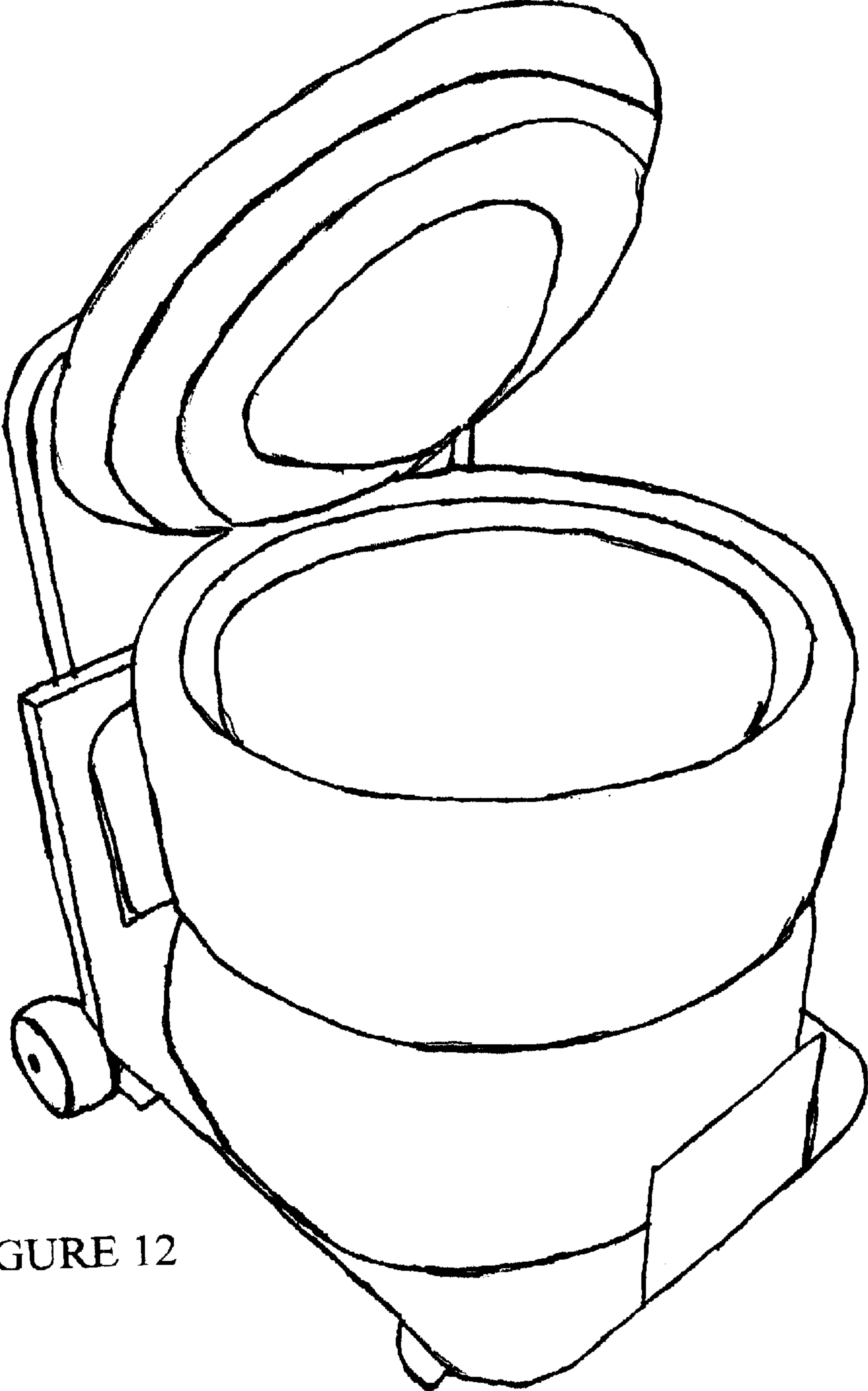


FIGURE 12