



US00D536216S

(12) **United States Design Patent**
Sands

(10) **Patent No.:** **US D536,216 S**

(45) **Date of Patent:** **** Feb. 6, 2007**

(54) **BLENDER AND MUG SET**

(75) Inventor: **Lenny Sands**, Encino, CA (US)

(73) Assignee: **Homeland Housewares, LLC**, Los Angeles, CA (US)

(**) Term: **14 Years**

(21) Appl. No.: **29/260,003**

(22) Filed: **May 18, 2006**

Related U.S. Application Data

(62) Division of application No. 10/824,531, filed on Apr. 13, 2004, now Pat. No. 7,066,640.

(51) **LOC (8) Cl.** **07-01**

(52) **U.S. Cl.** **D7/507; D7/505; D7/378**

(58) **Field of Classification Search** D7/500,
D7/505, 507, 533, 536, 511, 510, 531, 509,
D7/396.2, 376-378; 366/205, 314, 197, 251,
366/199, 206; 215/387, 237, 390, 398; 312/390;
241/282.2, 282.1, 195; 220/540, 718; D9/434,
D9/449, 447, 454, 452, 412, 413, 415
See application file for complete search history.

(56) **References Cited**

U.S. PATENT DOCUMENTS

958,713	A	*	5/1910	Baron et al.	215/237
2,299,730	A		10/1942	Bornstein		
3,064,949	A		11/1962	Dewenter		
3,085,710	A		4/1963	McIlroy		
3,140,019	A	*	7/1964	Barr	222/480
3,315,946	A		4/1967	Nissman		
3,664,554	A	*	5/1972	Shiozawa	222/183
3,704,864	A		12/1972	Lee		
3,881,705	A		5/1975	Greenspan		
4,000,839	A	*	1/1977	Tecco et al.	222/540
D248,204	S	*	6/1978	Daenen	D7/591
4,274,563	A	*	6/1981	Otterson	222/480
4,284,200	A	*	8/1981	Bush et al.	215/215
4,435,084	A	*	3/1984	Calhoun et al.	366/130
4,480,926	A		11/1984	Lattery, Jr. et al.		
4,487,509	A		12/1984	Boyce		

D278,602	S	*	4/1985	Rosenstein	D9/449
4,708,487	A		11/1987	Marshall		
4,889,248	A		12/1989	Bennett		
D309,364	S	*	7/1990	Shaw et al.	D34/39
4,955,513	A	*	9/1990	Bennett	222/480
D317,722	S	*	6/1991	Todd	D9/447
5,720,552	A		2/1998	Schinglegger		
D399,050	S	*	10/1998	Evans	D3/203.2
D410,388	S	*	6/1999	Fisher et al.	D9/449
D470,050	S		2/2003	Renz et al.		
6,666,574	B1	*	12/2003	Pryor	366/205
6,786,440	B2	*	9/2004	Ling et al.	241/301
6,796,705	B1	*	9/2004	Khubani	366/197
6,817,750	B1	*	11/2004	Sands	366/205
D500,633	S	*	1/2005	Sands	D7/396.2

(Continued)

Primary Examiner—M. N. Pandozzi

(74) *Attorney, Agent, or Firm*—Cislo & Thomas, LLP

(57) **CLAIM**

The ornamental design for a blender and mug set, as shown and described.

DESCRIPTION

FIG. 1 is a perspective view of the mug of the blender and mug set showing my new design;

FIG. 2 is a perspective view of a threaded cover of the blender and mug set thereof;

FIG. 3 is a side elevational view thereof;

FIG. 4 is a top perspective view of another threaded cover of the blender and mug set thereof;

FIG. 5 is a bottom perspective view thereof;

FIG. 6 is a top perspective view of a third threaded cover of the blender and mug set thereof;

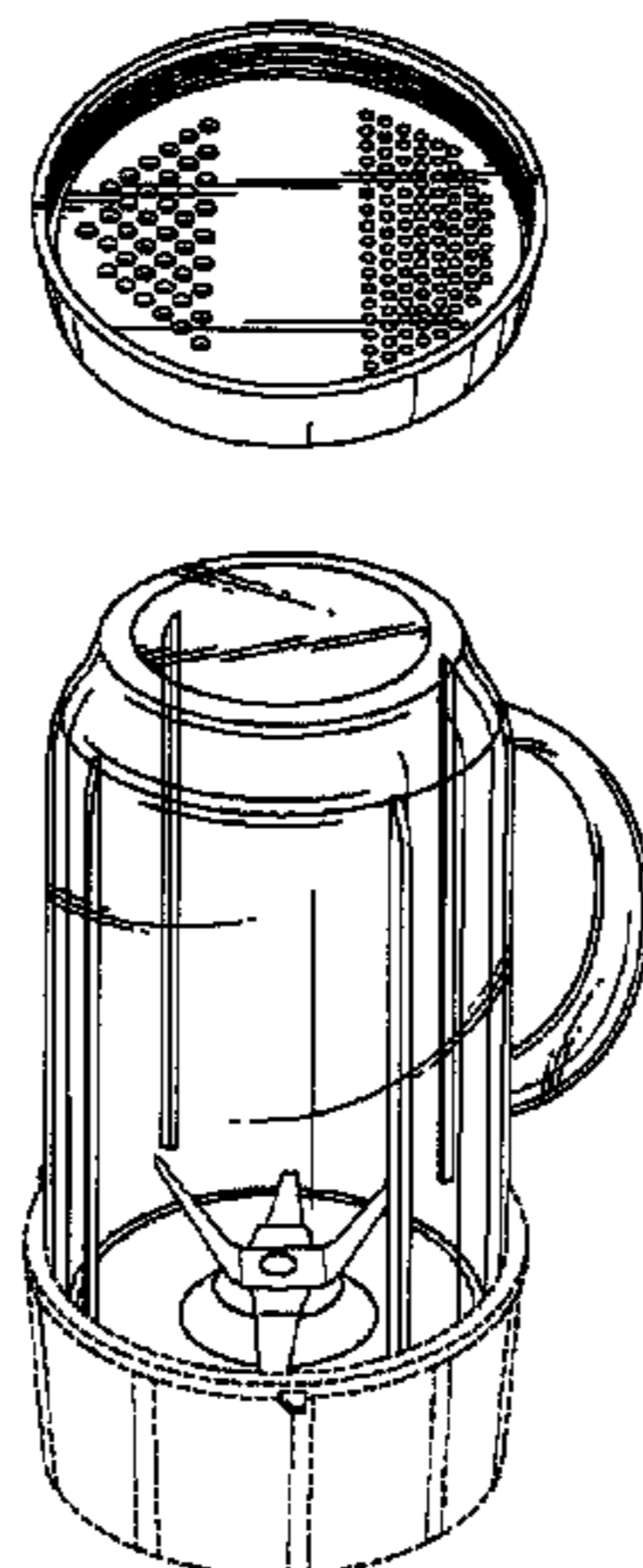
FIG. 7 is a bottom perspective view thereof; and,

FIG. 8 is an environmental perspective view of a second mug of the blender and mug set thereof.

Each item of the set has been shown individually for ease of illustration.

The broken lines in the FIG. 8 drawing are for illustrative purposes only and form no part of the claimed design.

1 Claim, 2 Drawing Sheets



US D536,216 S

Page 2

U.S. PATENT DOCUMENTS

D501,310 S	*	2/2005	Smarte	D3/203.2	D521,802 S	*	5/2006	Sands	D7/396.2
D501,759 S	*	2/2005	Sands	D7/536	7,066,640 B2	*	6/2006	Sands	366/205
D519,321 S	*	4/2006	Sands	D7/523	2001/0036124 A1	*	11/2001	Rubenstein	366/205

* cited by examiner

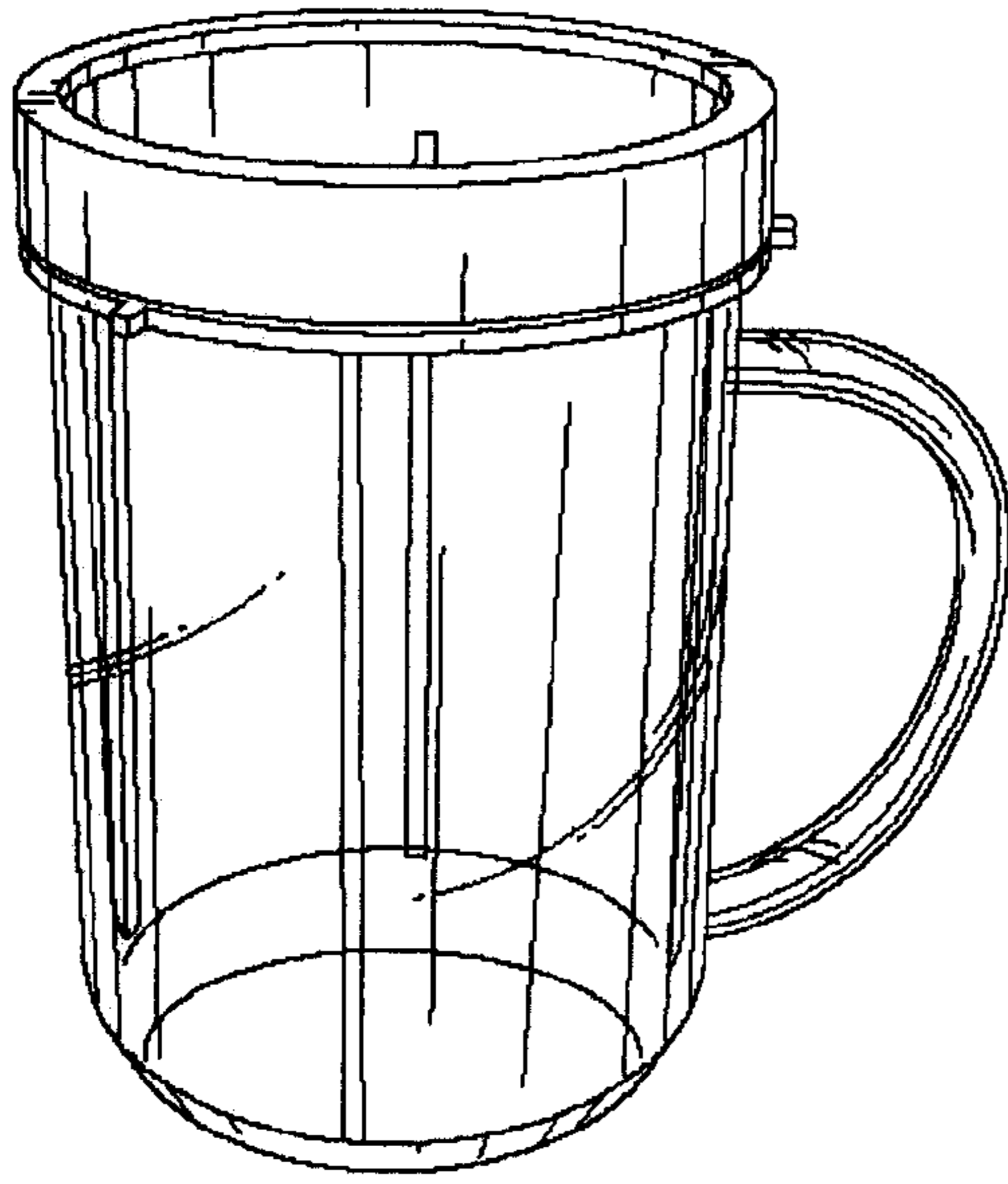


FIG. 1

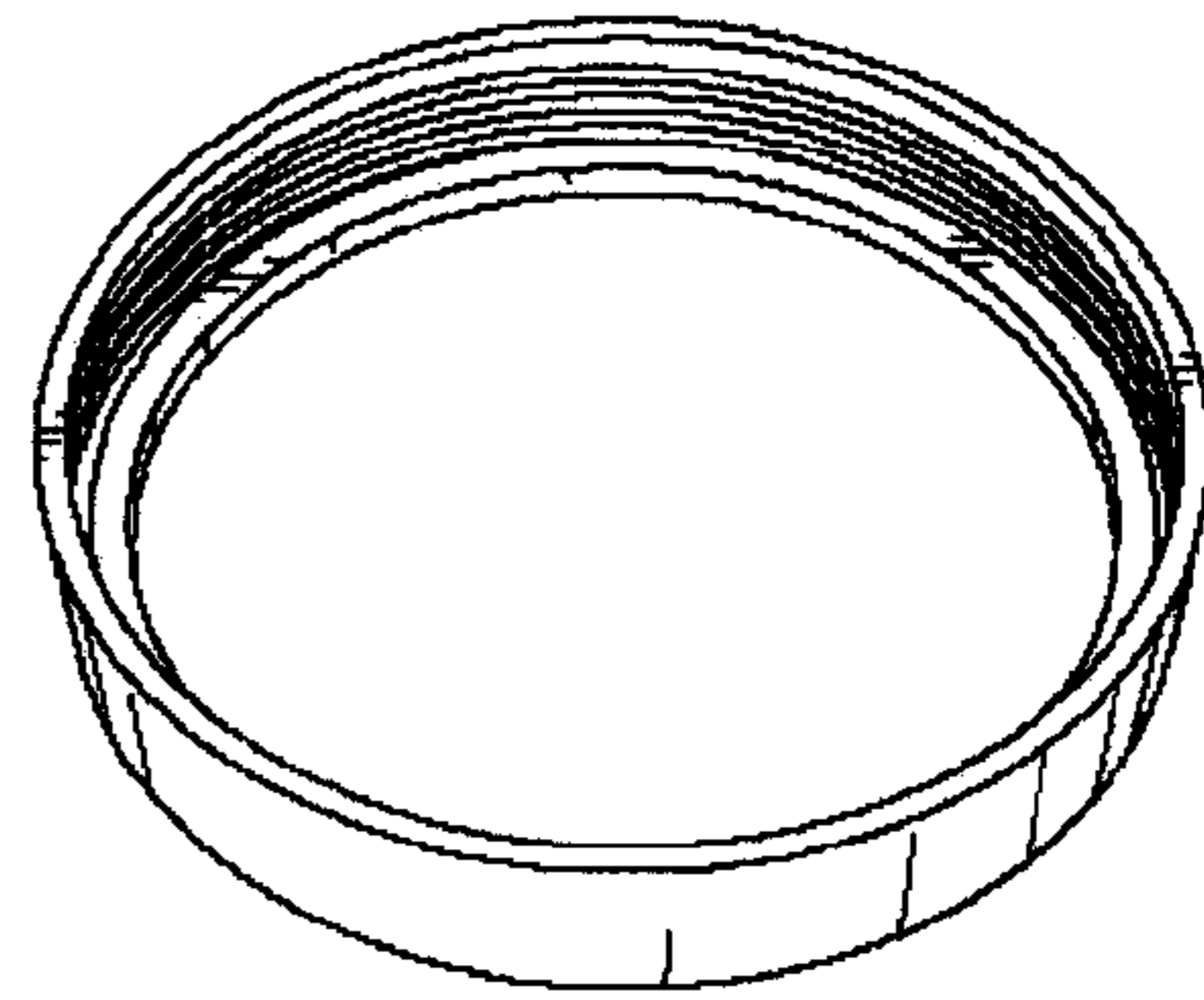


FIG. 2



FIG. 3

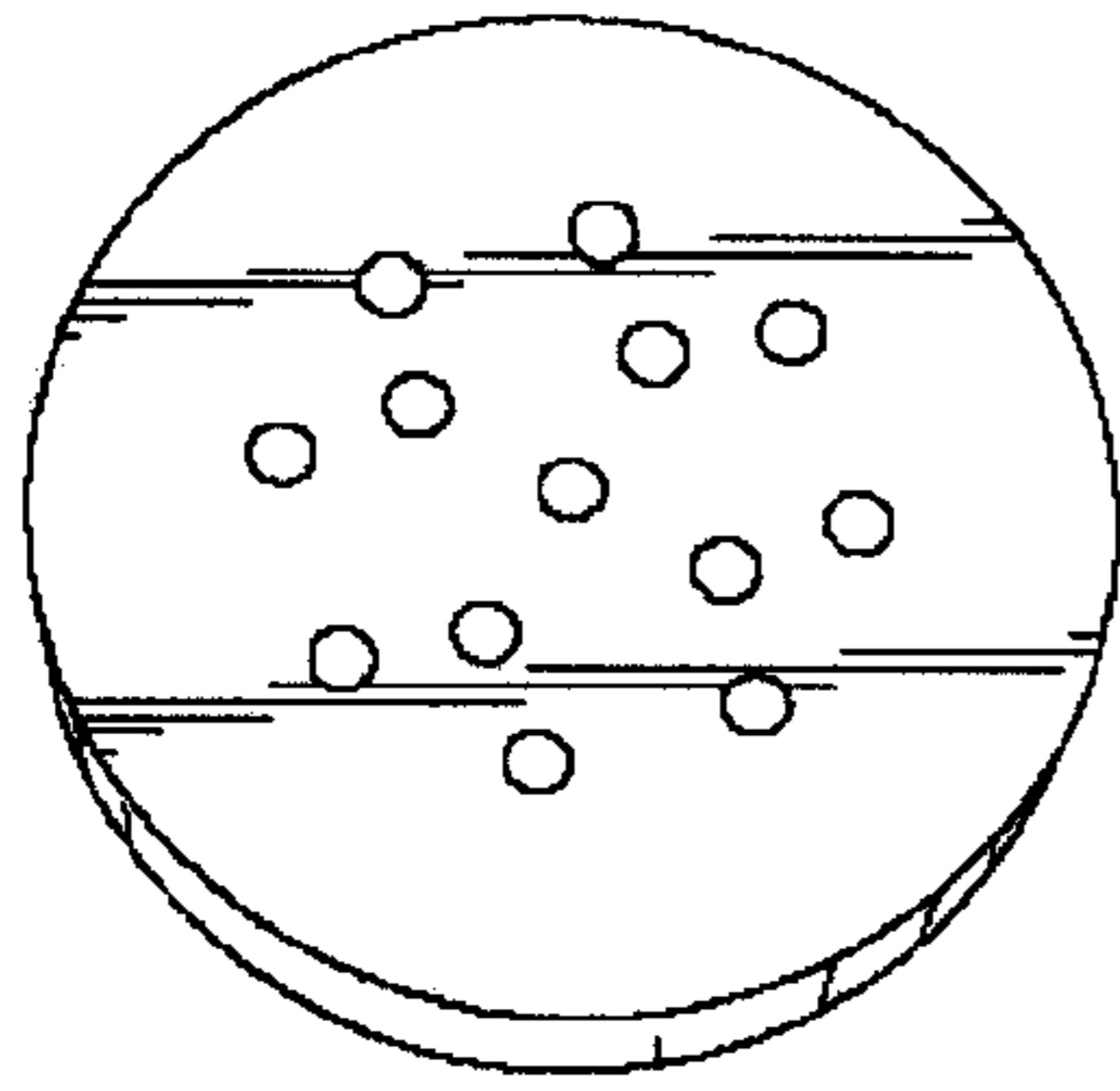


FIG. 4

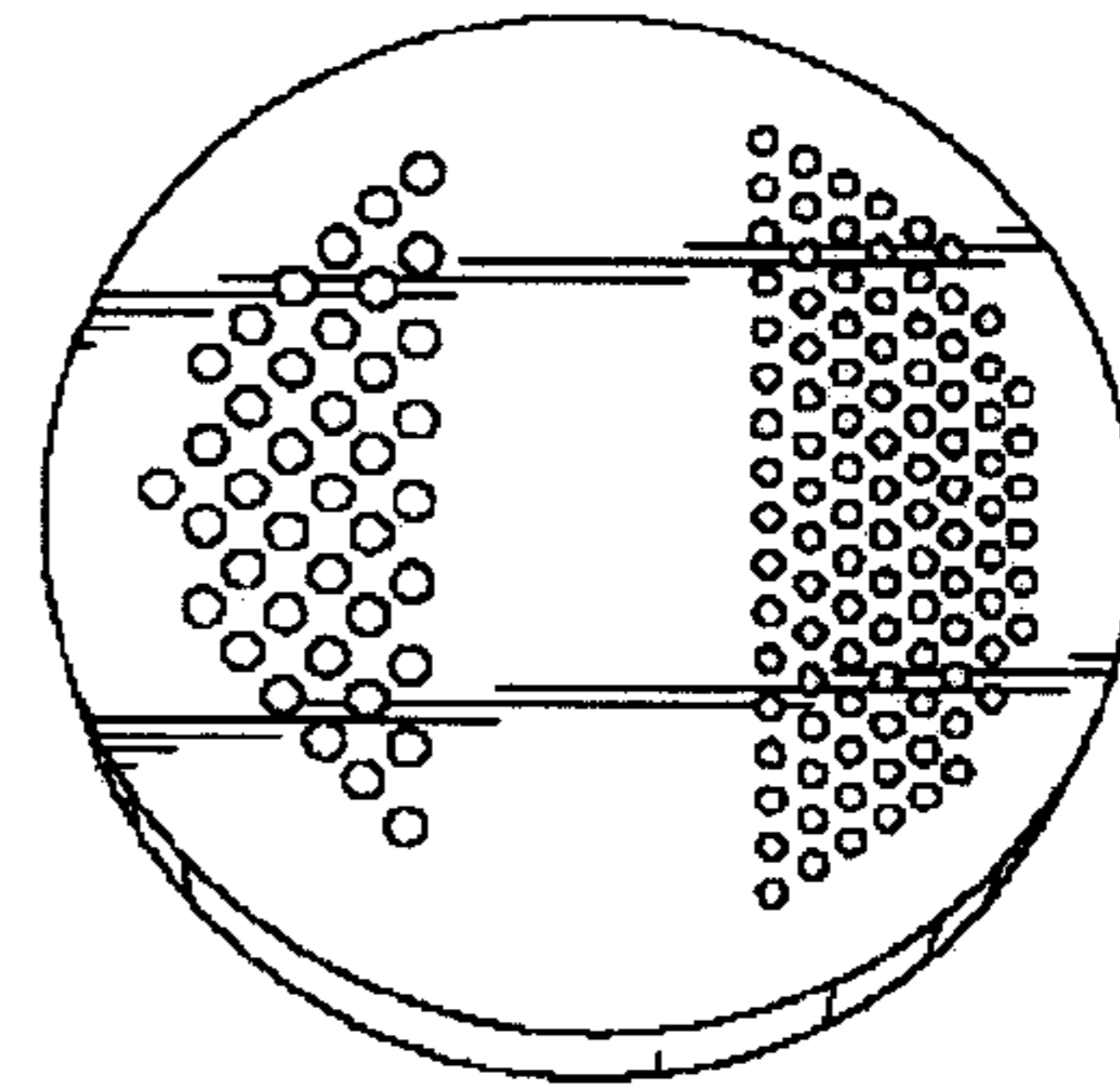


FIG. 6

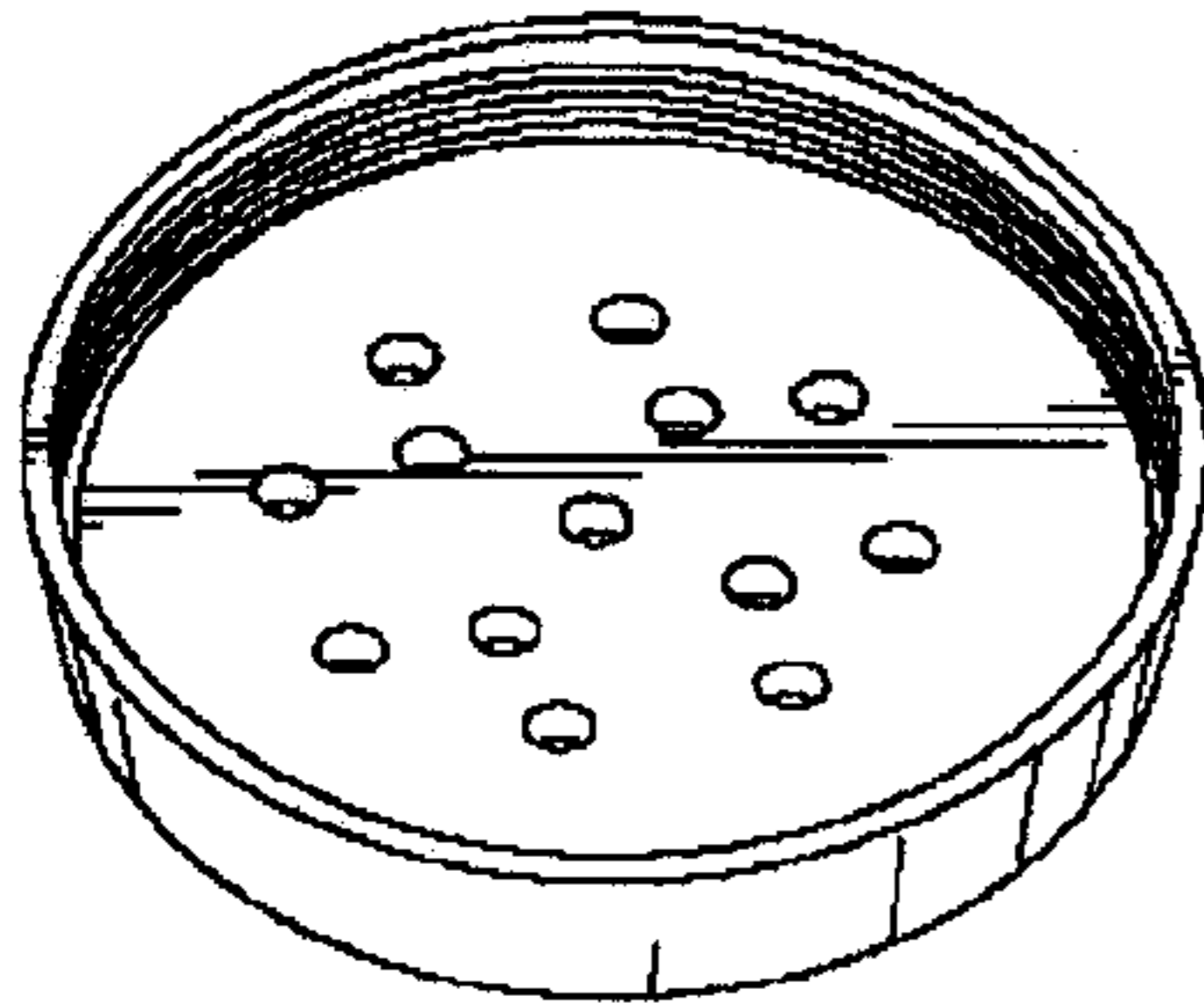


FIG. 5

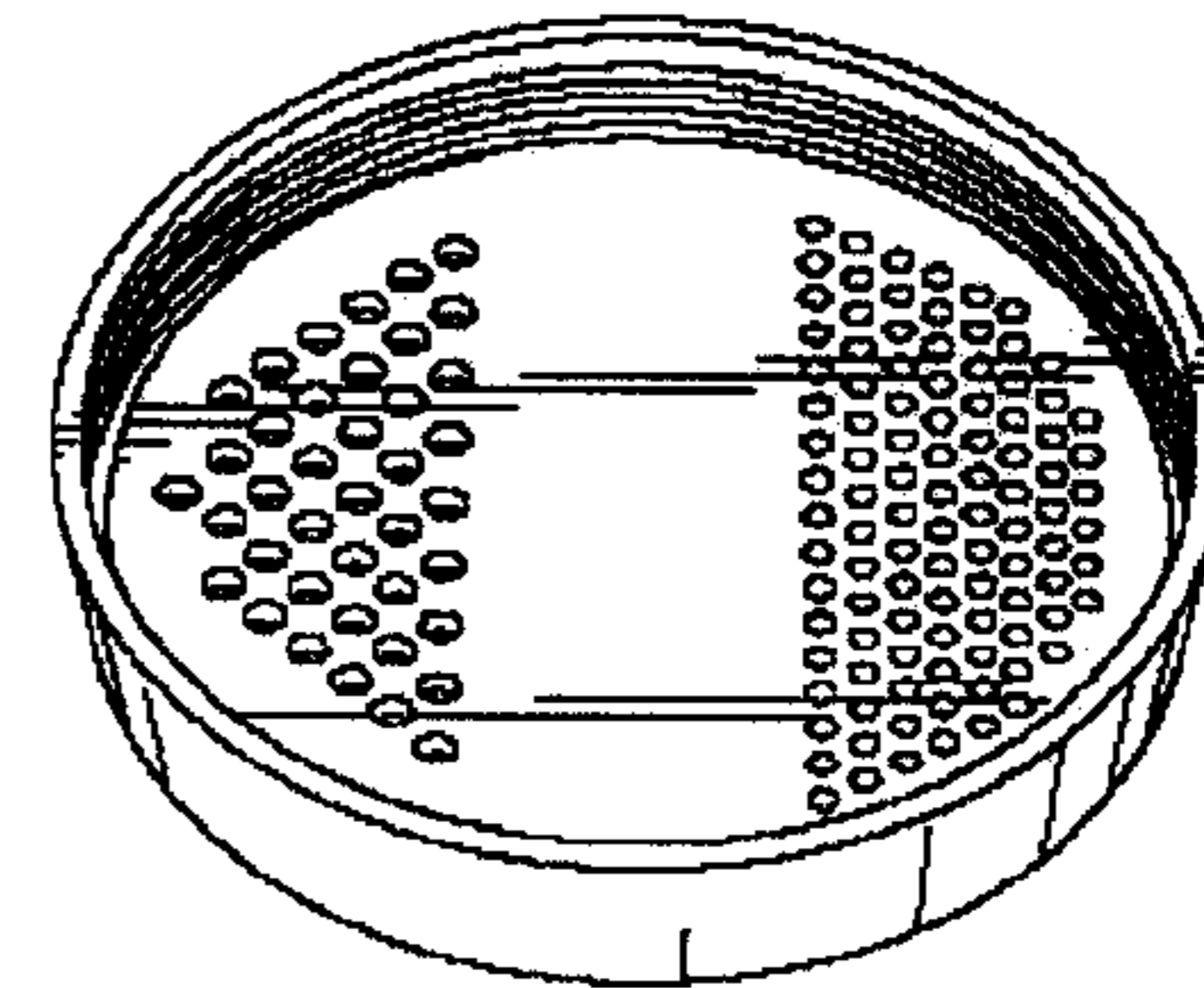


FIG. 7

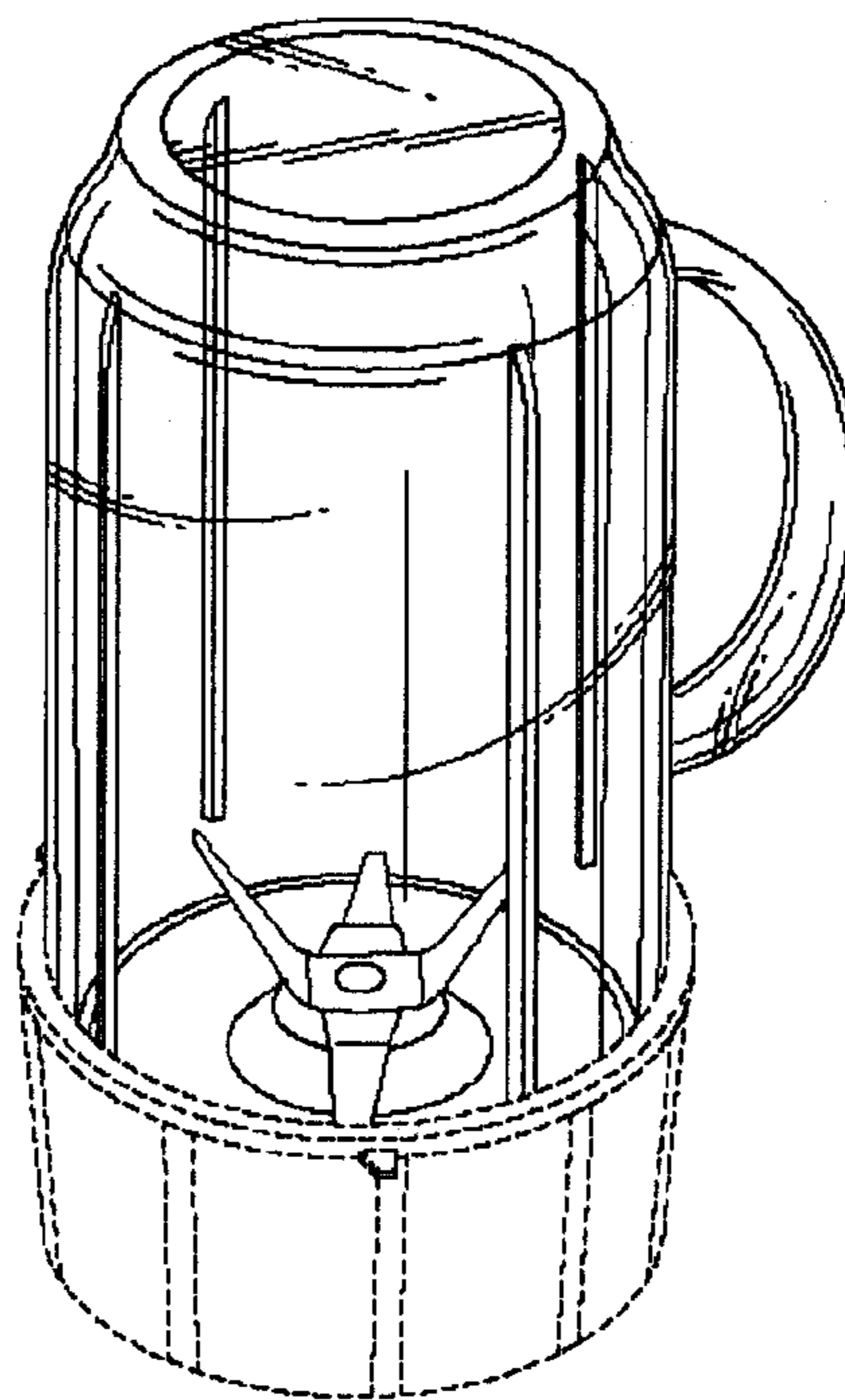


FIG. 8