



US00D536214S

(12) **United States Design Patent**
Schuler et al.

(10) **Patent No.:** **US D536,214 S**

(45) **Date of Patent:** **** Feb. 6, 2007**

- (54) **LID FOR A MUG OR TUMBLER**
- (75) Inventors: **Daniel Schuler**, Chicago, IL (US);
Peter Schmidt, Chicago, IL (US)
- (73) Assignee: **Thermos L.L.C.**, Rolling Meadows, IL (US)
- (**) Term: **14 Years**

5,143,248 A *	9/1992	Sawatsky	220/711
D416,755 S *	11/1999	Trombly	D7/392.1
6,138,854 A *	10/2000	Kaneko et al.	220/254.7
6,158,632 A *	12/2000	Ekkert	222/556
6,244,455 B1 *	6/2001	Lastik	220/254.3
6,253,946 B1 *	7/2001	Makinen	220/268
D486,734 S *	2/2004	Weber	D9/445
6,763,964 B1 *	7/2004	Hurlbut et al.	220/254.3
D500,428 S *	1/2005	Ward et al.	D7/392.1
D504,796 S *	5/2005	Schuler et al.	D7/392.1
D527,219 S *	8/2006	Trombly	D7/392.1

(21) Appl. No.: **29/213,478**

(22) Filed: **Sep. 17, 2004**

(51) **LOC (8) Cl.** **07-01**

(52) **U.S. Cl.** **D7/392.1; 7/396.1; 7/900**

(58) **Field of Classification Search** D7/392,
D7/391, 396.2, 396.1, 510, 511, 900; D9/443,
D9/454, 447, 445, 449; 215/12.1; 220/254.3,
220/270, 703, 780, 793, 717, 711, 713, 714,
220/268, 253, 287, 619

See application file for complete search history.

* cited by examiner

Primary Examiner—M. N. Pandozzi

(74) *Attorney, Agent, or Firm*—Wood, Phillips, Katz, Clark & Mortimer

(57) **CLAIM**

The ornamental design for a lid for a mug or tumbler, as shown and described.

DESCRIPTION

FIG. 1 is a top side perspective view of a lid for a mug or tumbler showing our new design;

FIG. 2 is a front elevational view thereof;

FIG. 3 is a left side elevational view thereof;

FIG. 4 is a right side elevational view thereof;

FIG. 5 is a rear elevational view thereof; and,

FIG. 6 is a top plan view thereof.

The broken lines in the drawings are for illustrative purposes only and form no part of the claimed design.

(56) **References Cited**

U.S. PATENT DOCUMENTS

3,931,909 A *	1/1976	Dalli et al.	220/268
4,136,797 A *	1/1979	Potts	220/271
4,267,938 A *	5/1981	Debenham et al.	220/268
D275,655 S *	9/1984	Bainton	D9/438
4,553,684 A *	11/1985	Bennett	220/268
4,784,283 A *	11/1988	Cantu	220/269
4,949,865 A *	8/1990	Turner	220/713
4,989,746 A *	2/1991	Pierce	220/254.3

1 Claim, 4 Drawing Sheets

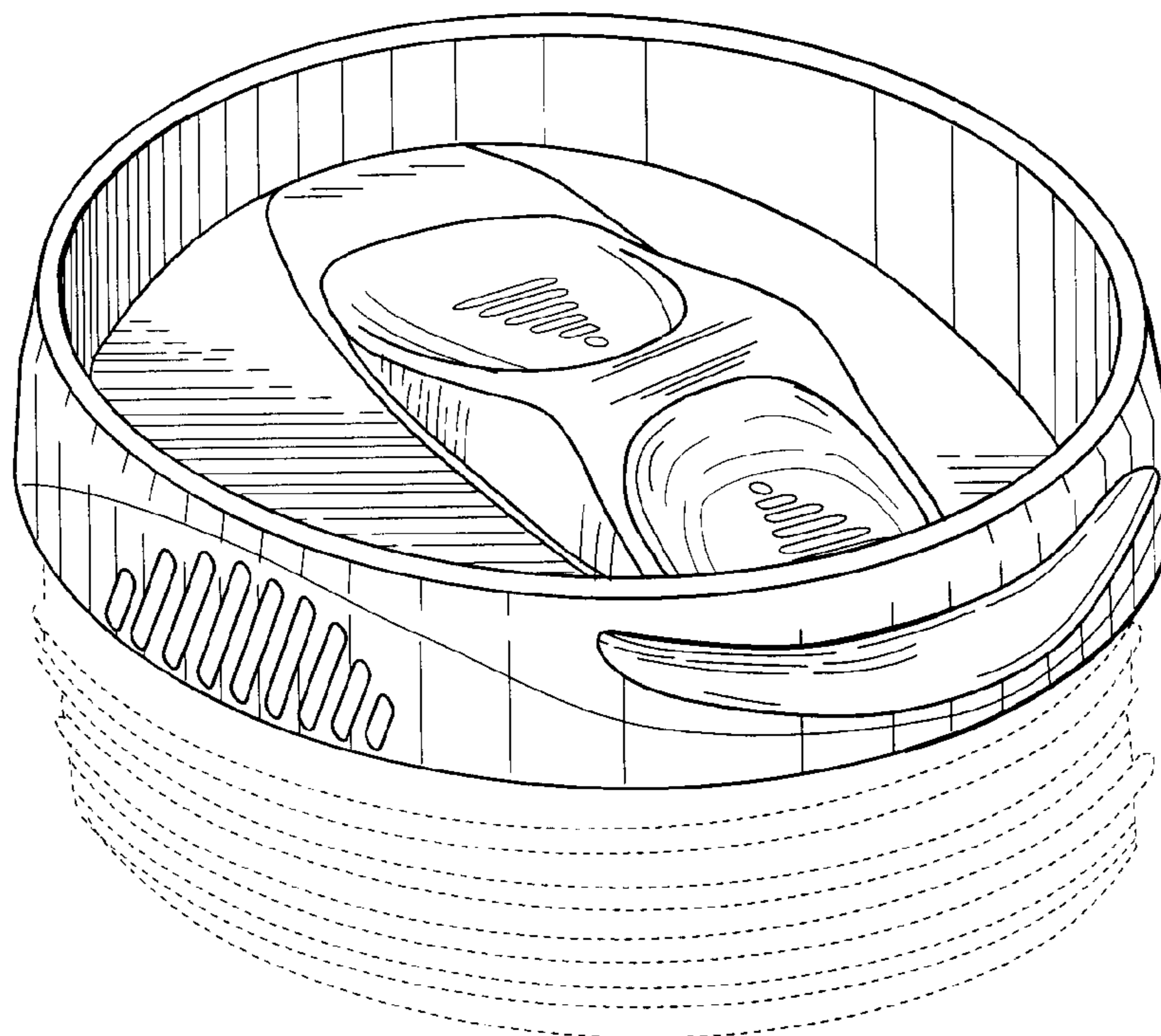


Fig. 1

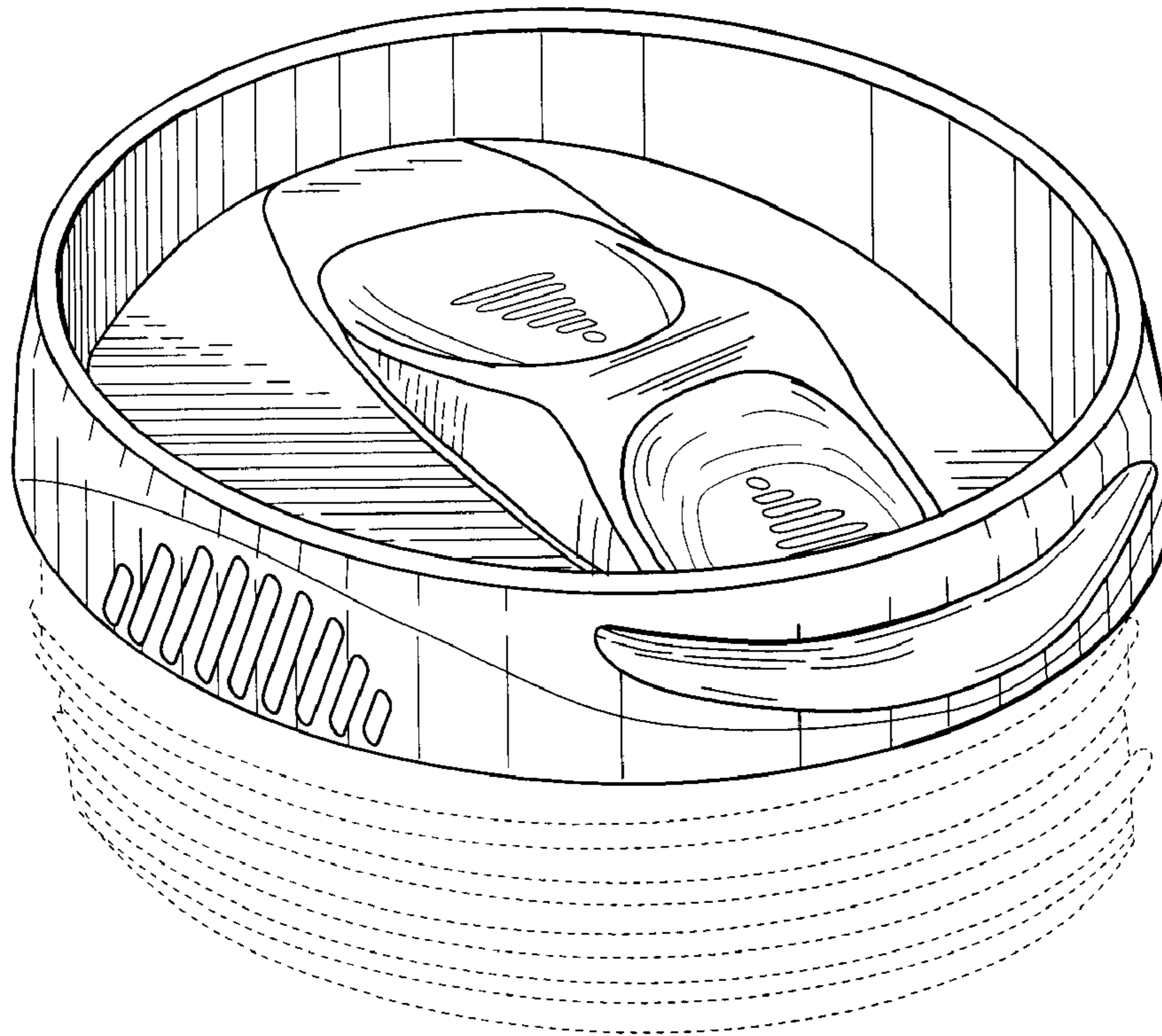


Fig. 2

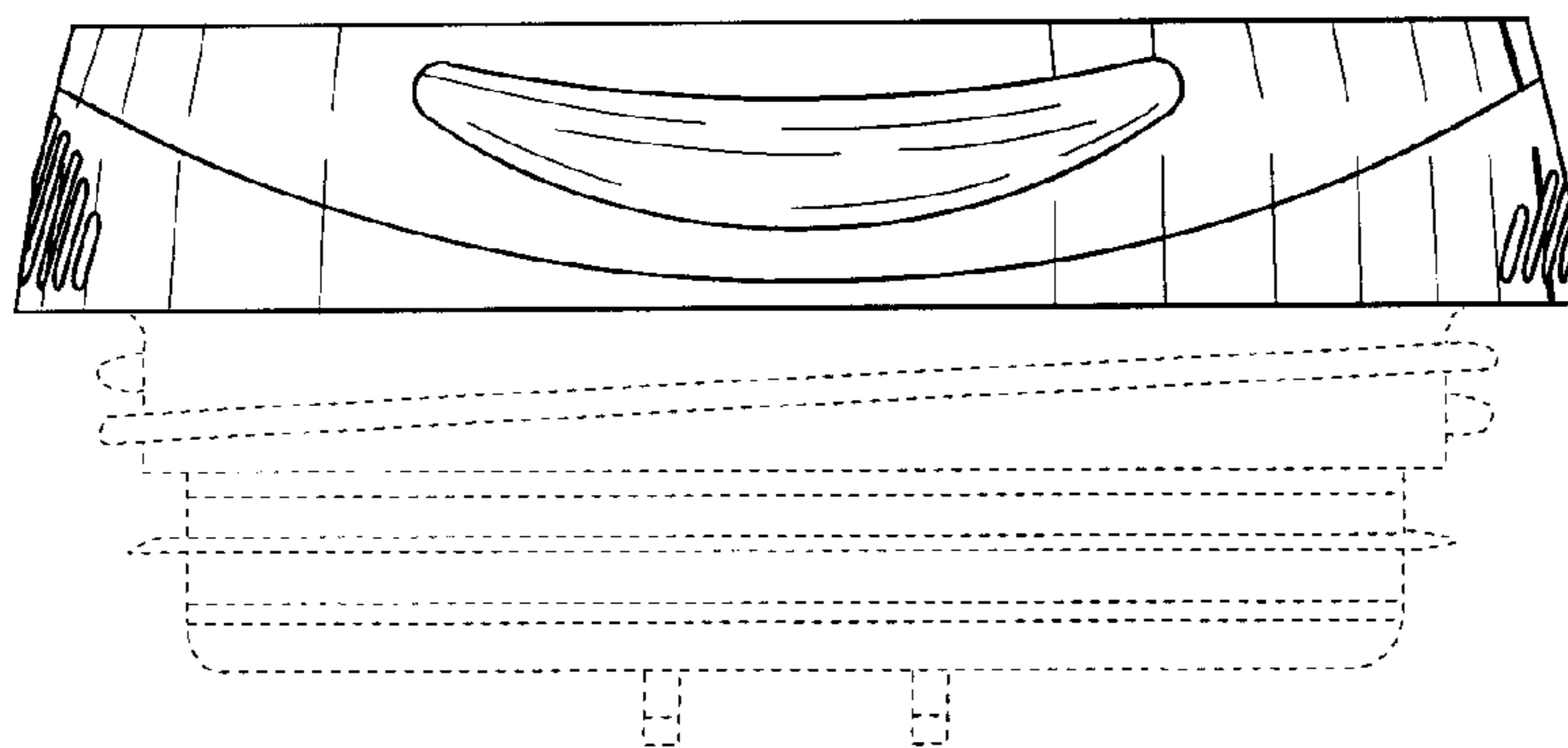


Fig. 3

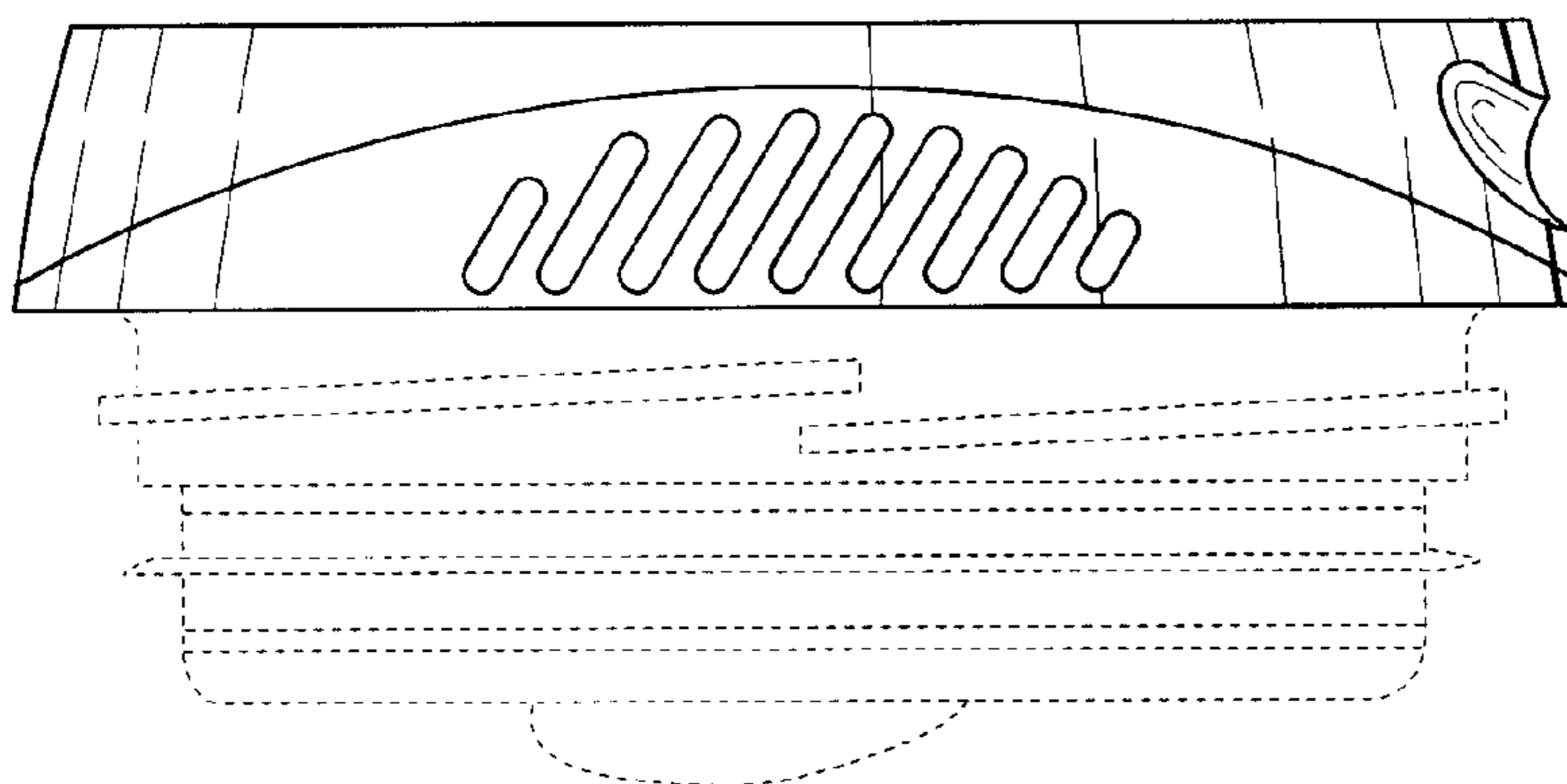


Fig. 4

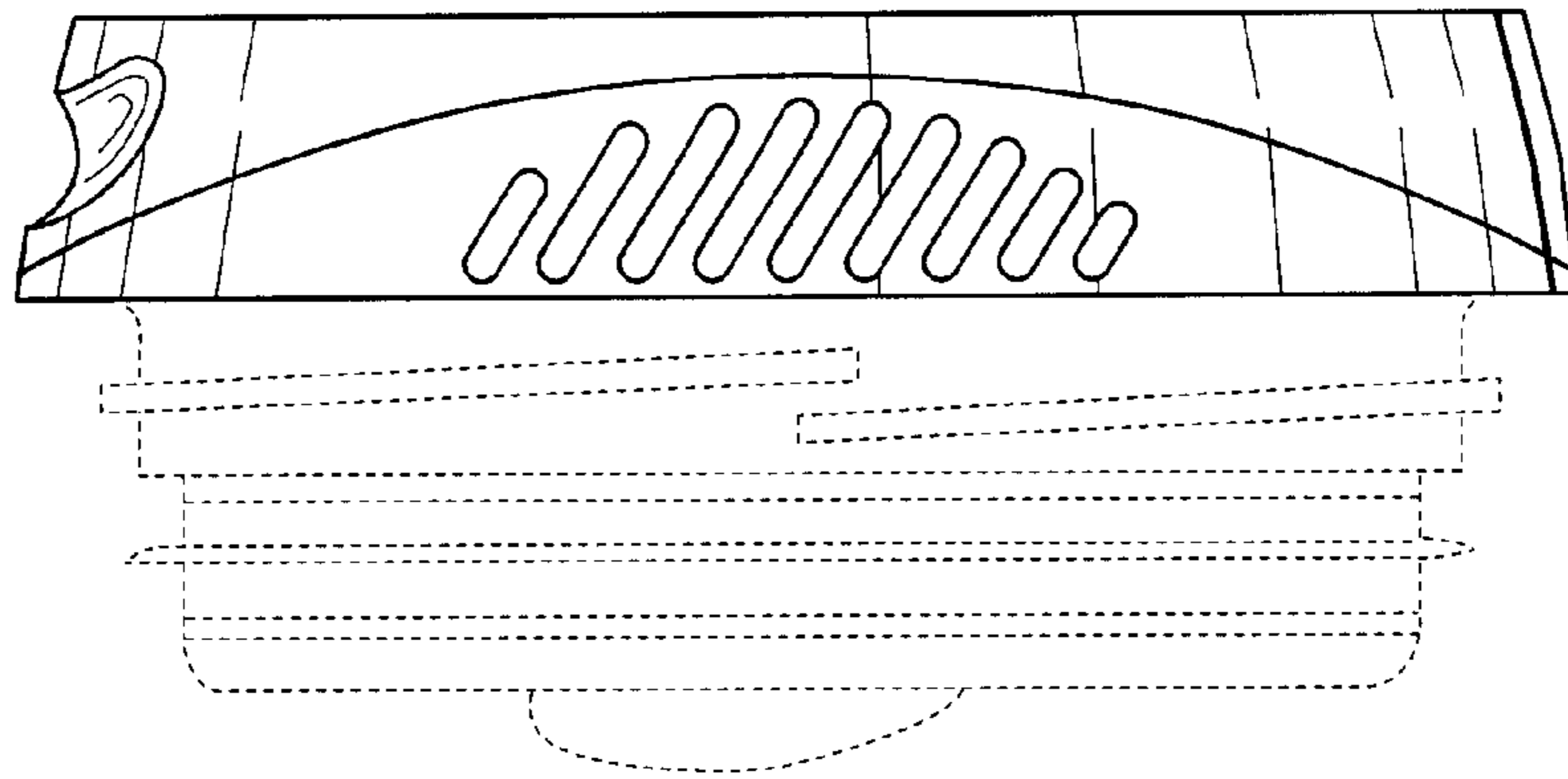


Fig. 5

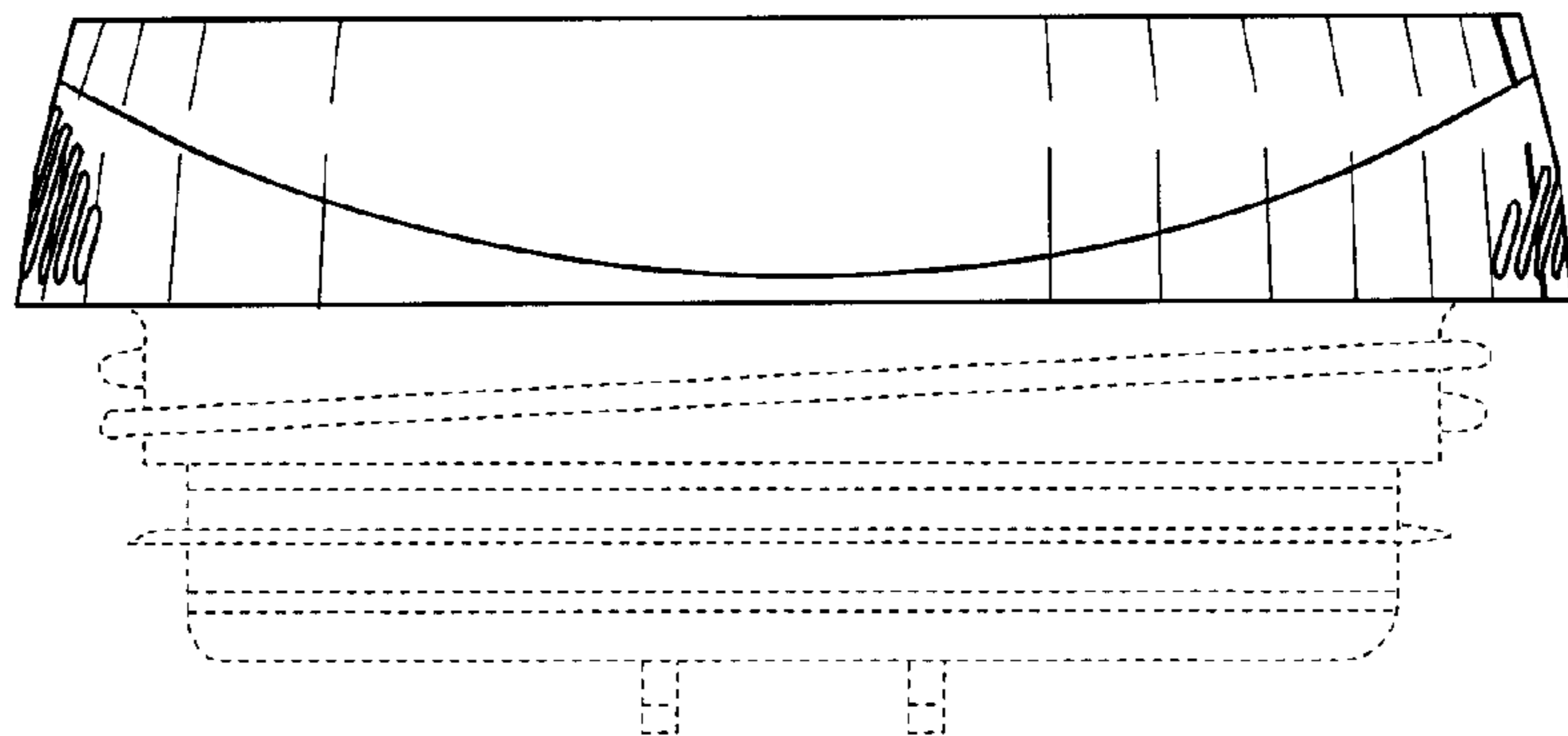


Fig. 6

