



US00D536212S

(12) **United States Design Patent**
Yeung

(10) **Patent No.:** **US D536,212 S**

(45) **Date of Patent:** **** Feb. 6, 2007**

(54) **FOOD PROCESSOR**

(75) Inventor: **Kui Wong Yeung**, Hong Kong (HK)

(73) Assignee: **Homemax (Hong Kong) Limited**,
Hong Kong (HK)

(**) Term: **14 Years**

(21) Appl. No.: **29/244,286**

(22) Filed: **Dec. 7, 2005**

(30) **Foreign Application Priority Data**

Jun. 8, 2005 (HK) 0501352

(51) **LOC (8) Cl.** **31-00**

(52) **U.S. Cl.** **D7/384**

(58) **Field of Classification Search** D7/376-386,
D7/412-414, 665; 99/509-511; 241/30, 33,
241/37.5, 101.01, 166-169.1, 274-278.2,
241/285.1-285; 366/64-67, 98-100, 129,
366/130, 197-201, 205-207, 241-254, 341-343
See application file for complete search history.

(56) **References Cited**

U.S. PATENT DOCUMENTS

D293,873 S * 1/1988 Maass D7/384
D320,717 S * 10/1991 O'Brien D7/384
D322,193 S * 12/1991 Maass D7/378

D324,322 S * 3/1992 Barrault D7/384
D328,999 S * 9/1992 Maass D7/384
D330,145 S * 10/1992 Maass D7/384
D338,803 S * 8/1993 Littmann D7/384
D350,451 S * 9/1994 Dickson D7/384
D367,583 S * 3/1996 Littmann D7/384
D367,800 S * 3/1996 Littmann D7/384
D404,249 S * 1/1999 Lee D7/384
D445,300 S * 7/2001 Feil D7/384
D475,572 S * 6/2003 Black D7/386

* cited by examiner

Primary Examiner—Cathron C. Brooks

Assistant Examiner—Ricky Pham

(74) *Attorney, Agent, or Firm*—Law Office of Sergei Orel,
LLC

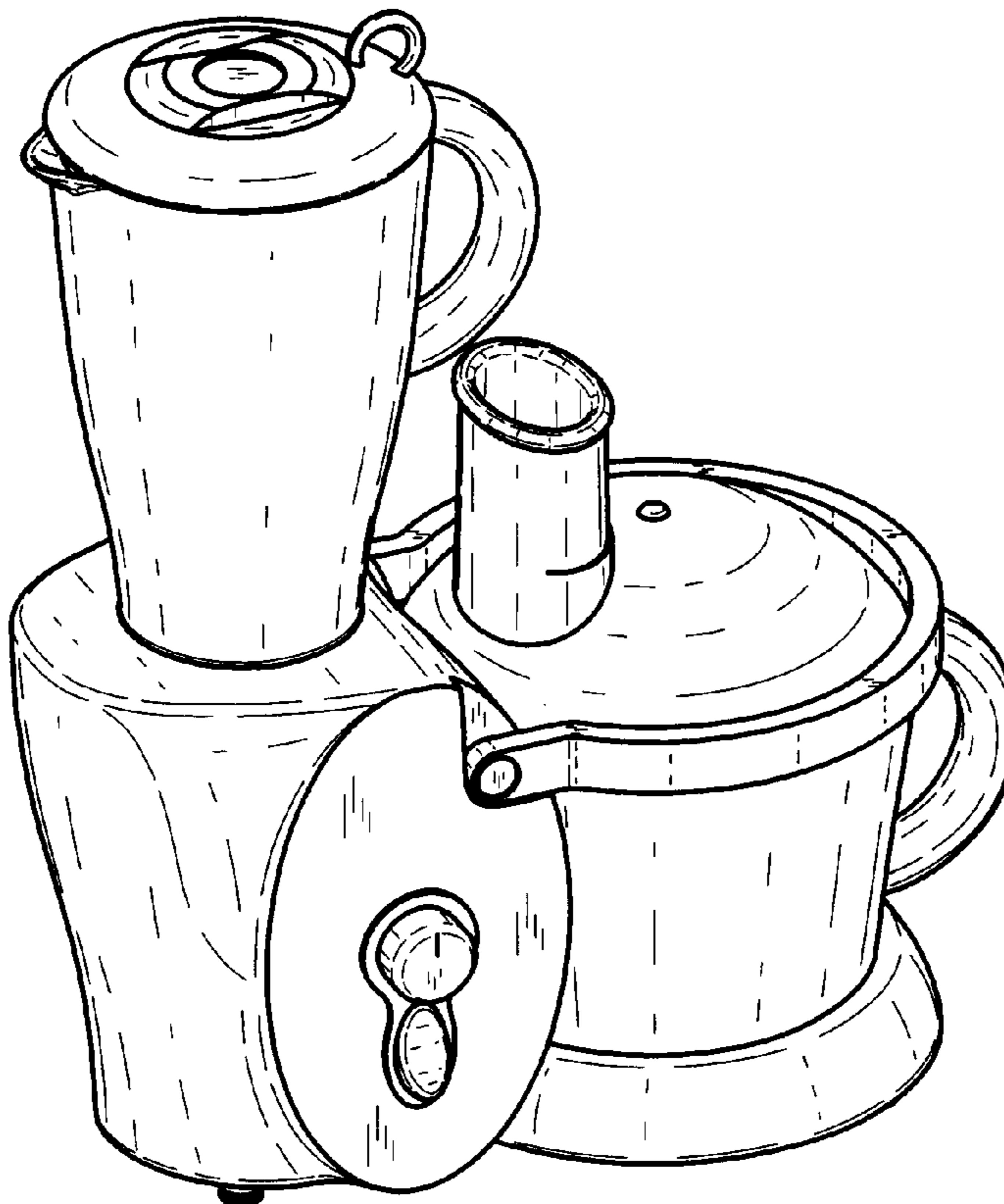
(57) **CLAIM**

The design for a food processor, as shown and described.

DESCRIPTION

FIG. 1 Top view.
FIG. 2 Bottom view.
FIG. 3 Front view.
FIG. 4 Rear view.
FIG. 5 Side view.
FIG. 6 Opposite Side view; and,
FIG. 7 Perspective view.

1 Claim, 4 Drawing Sheets



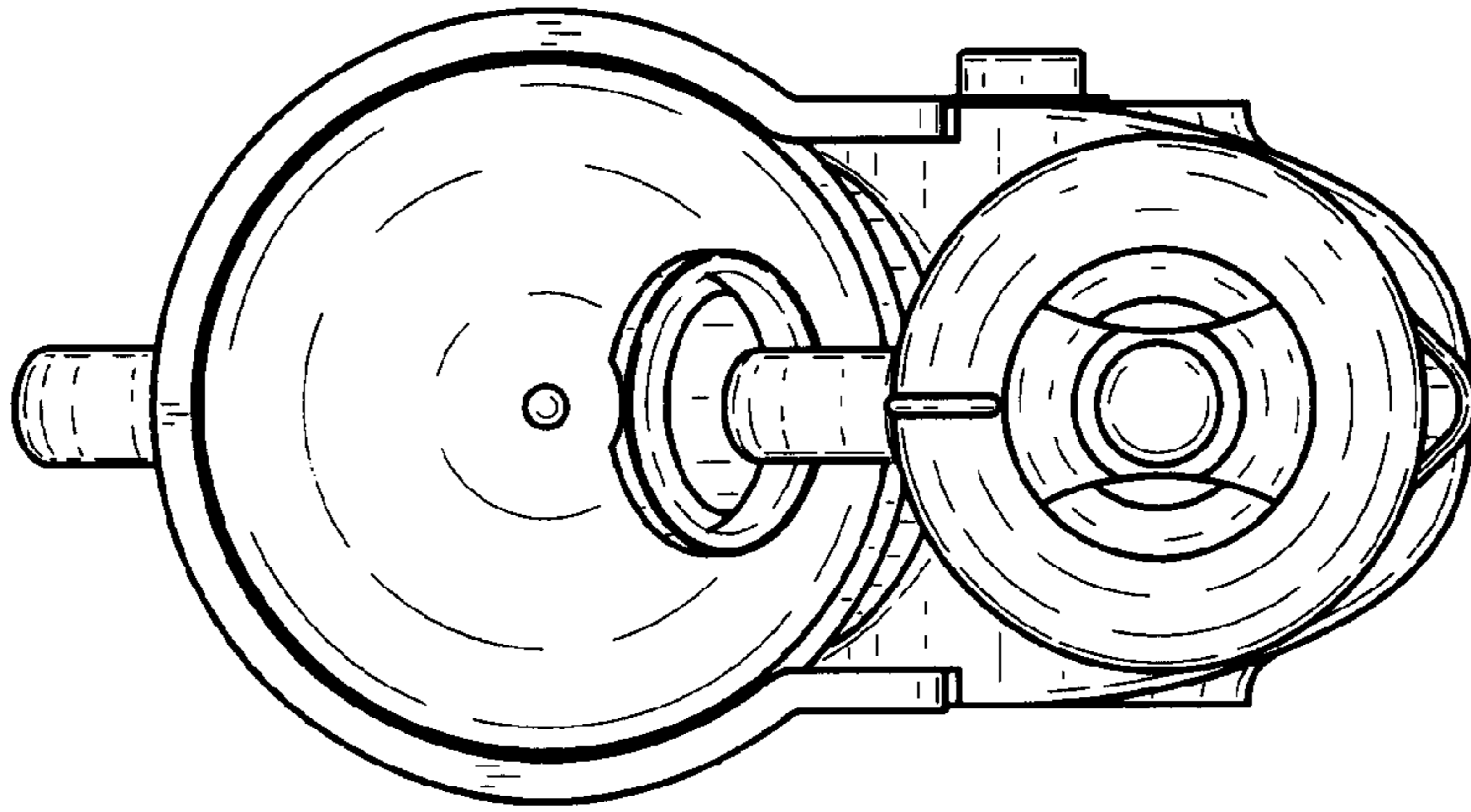


Fig.1

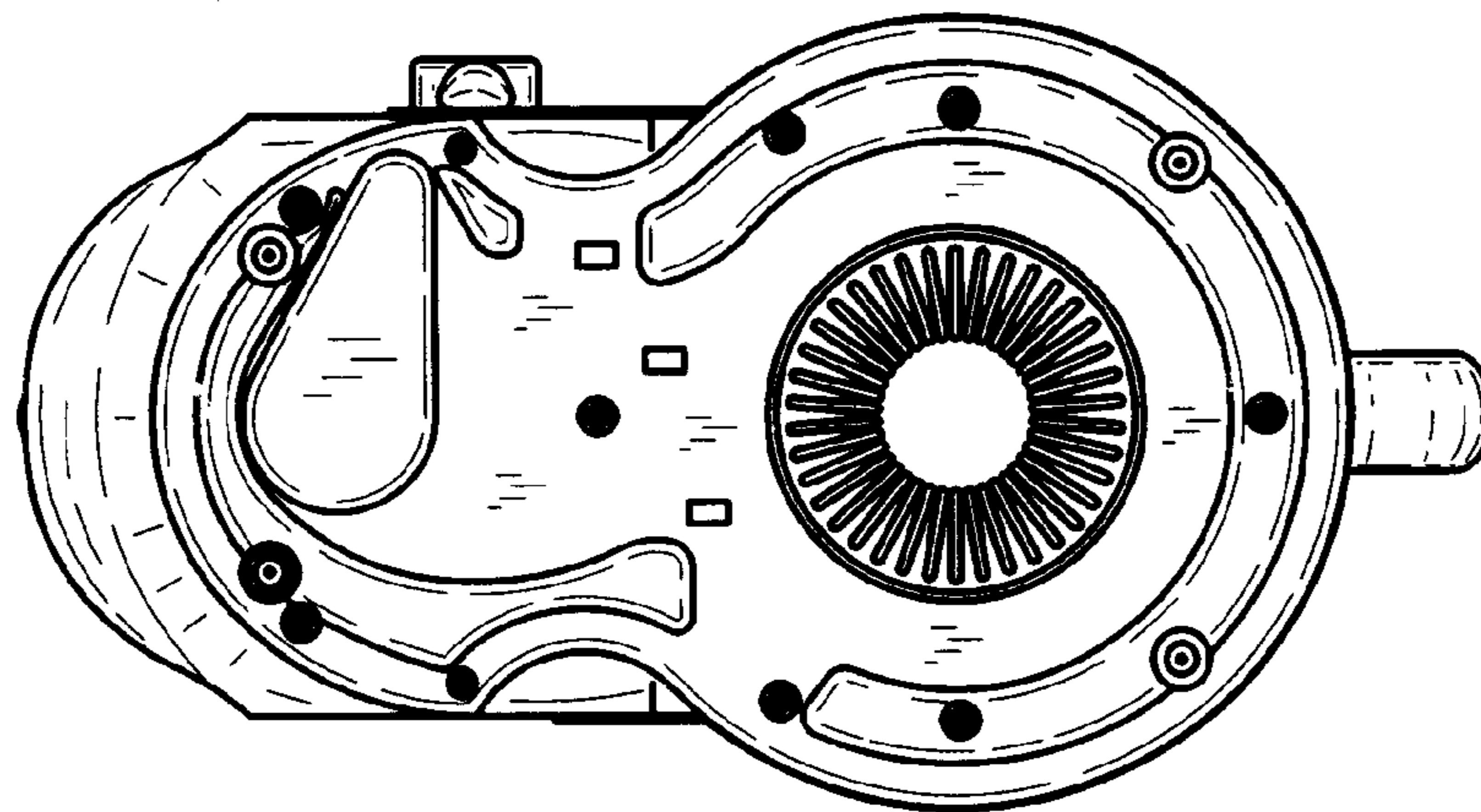


Fig.2

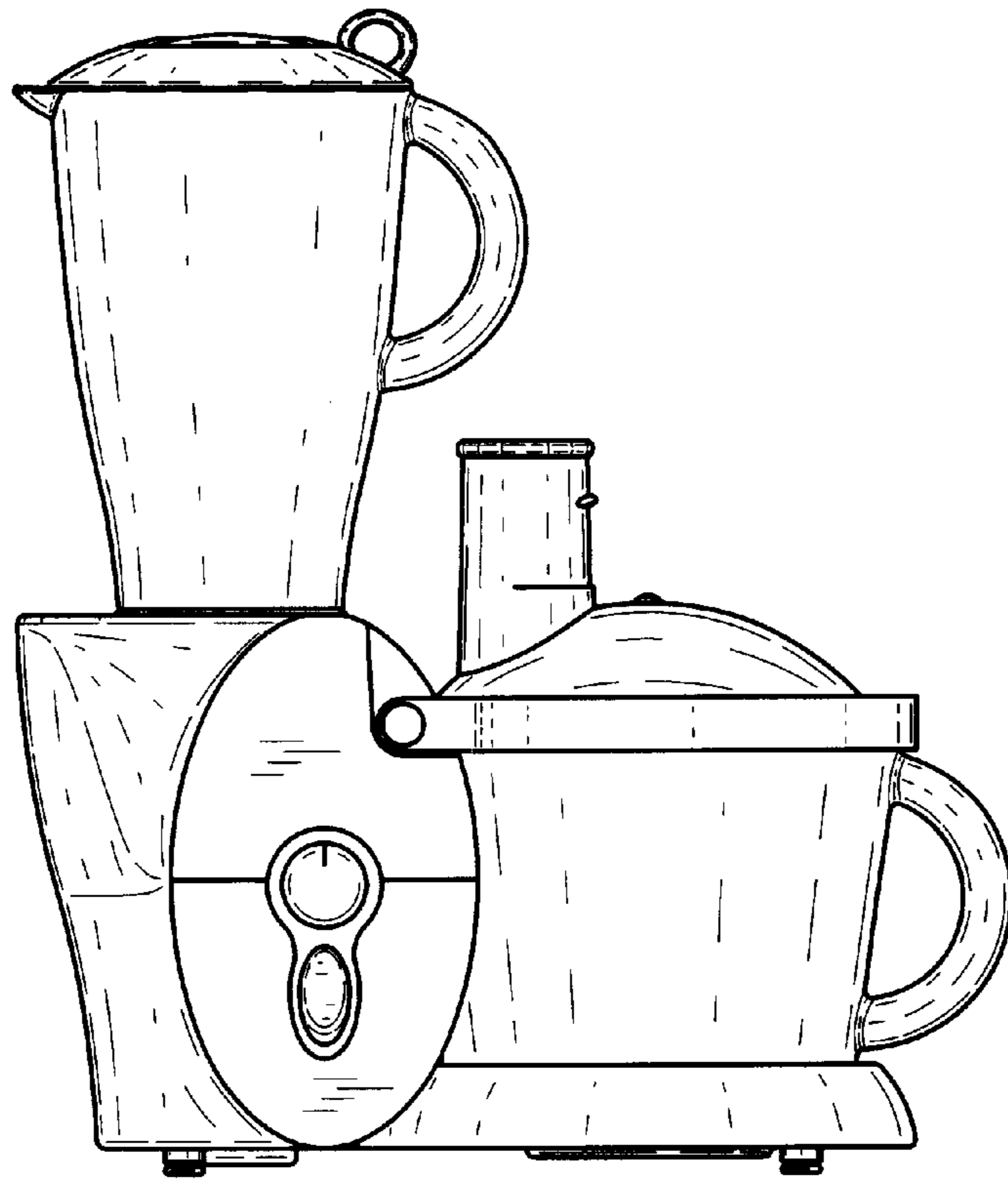


Fig.3

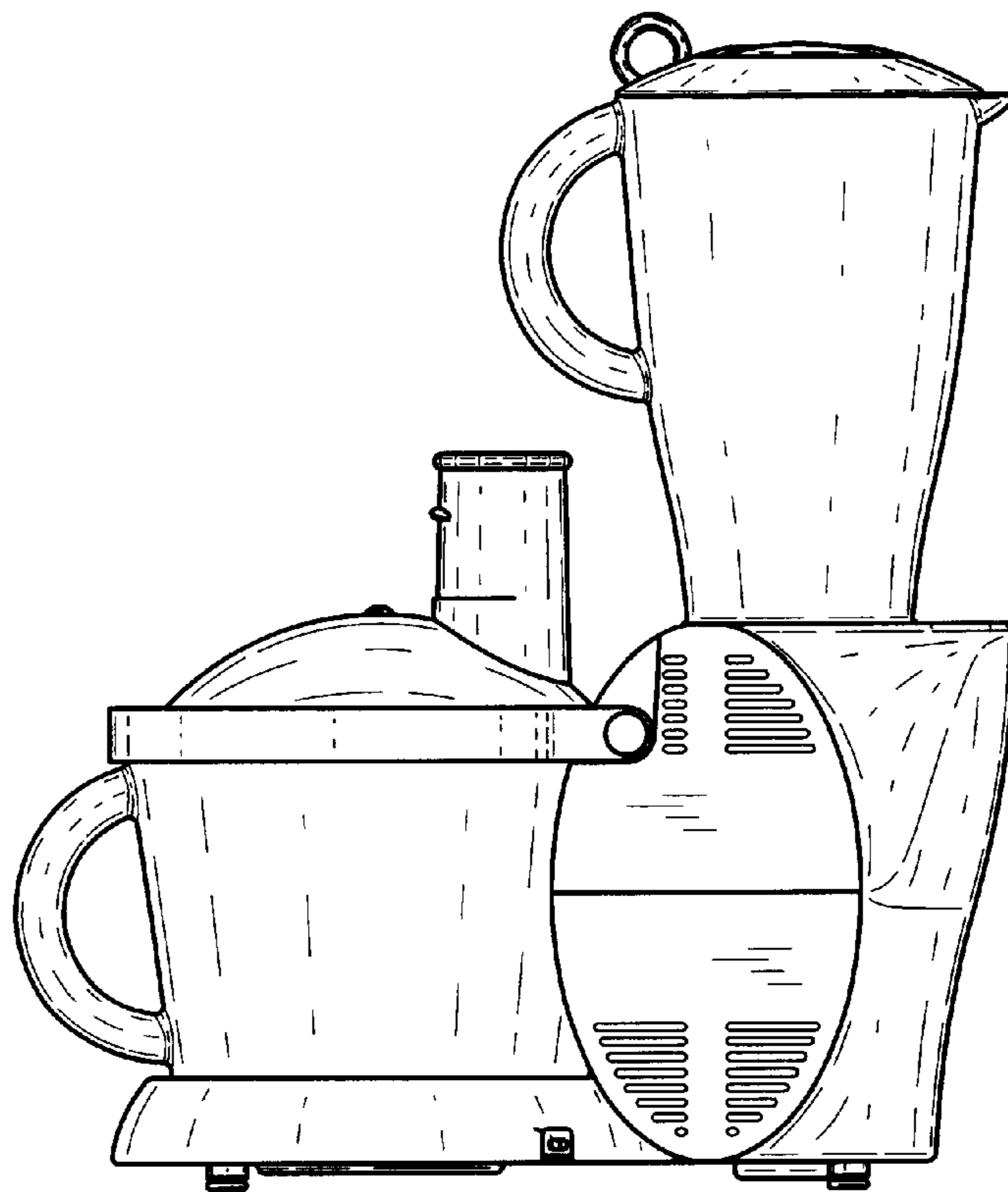


Fig.4

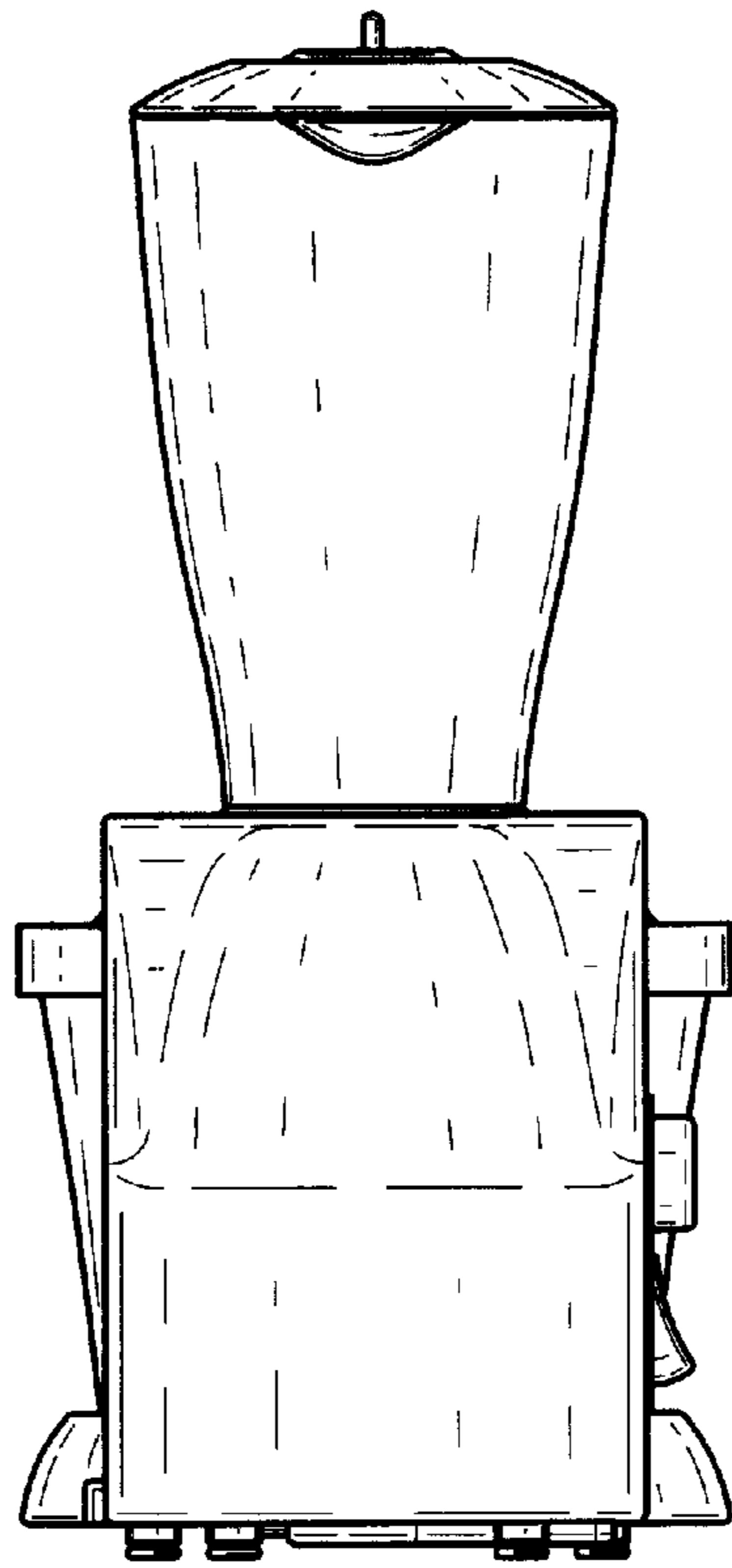


Fig.5

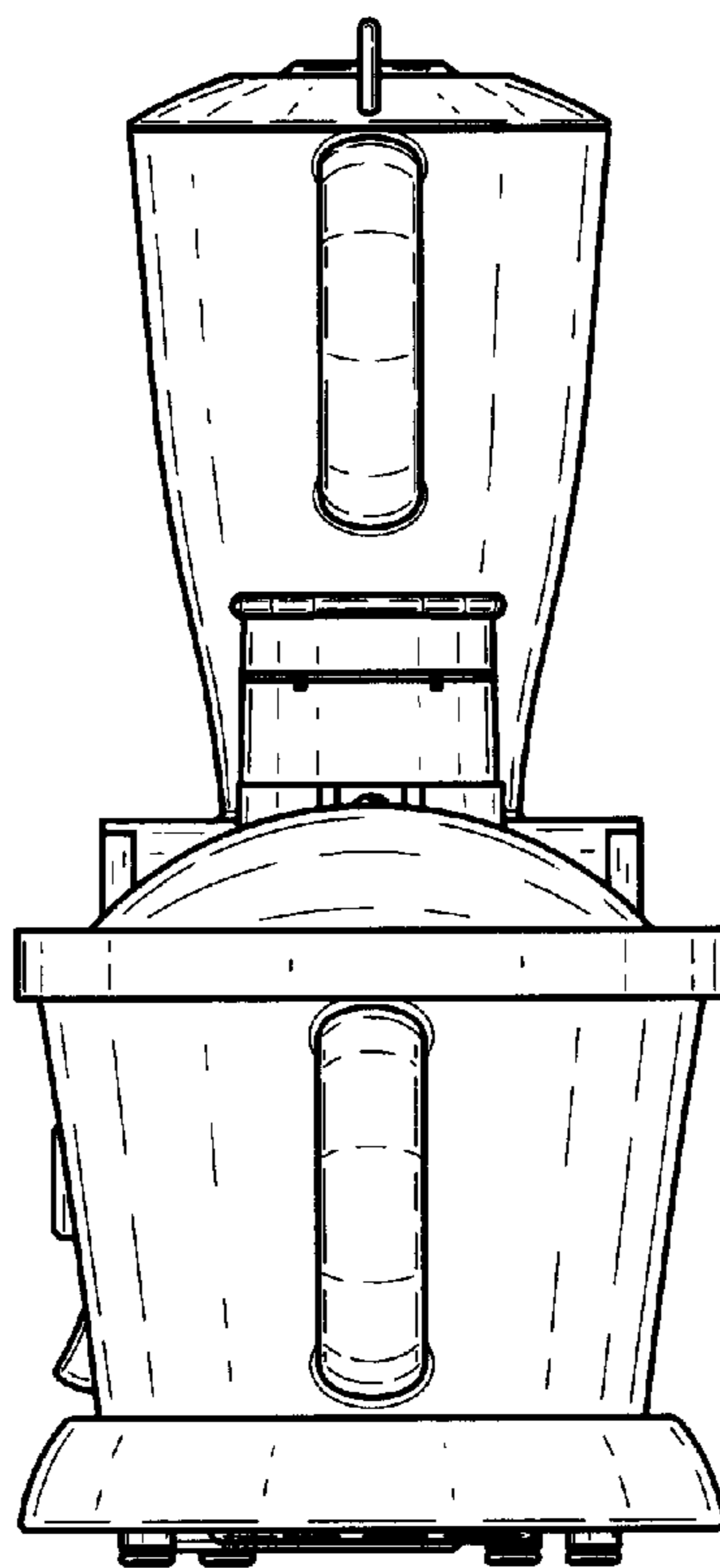


Fig.6

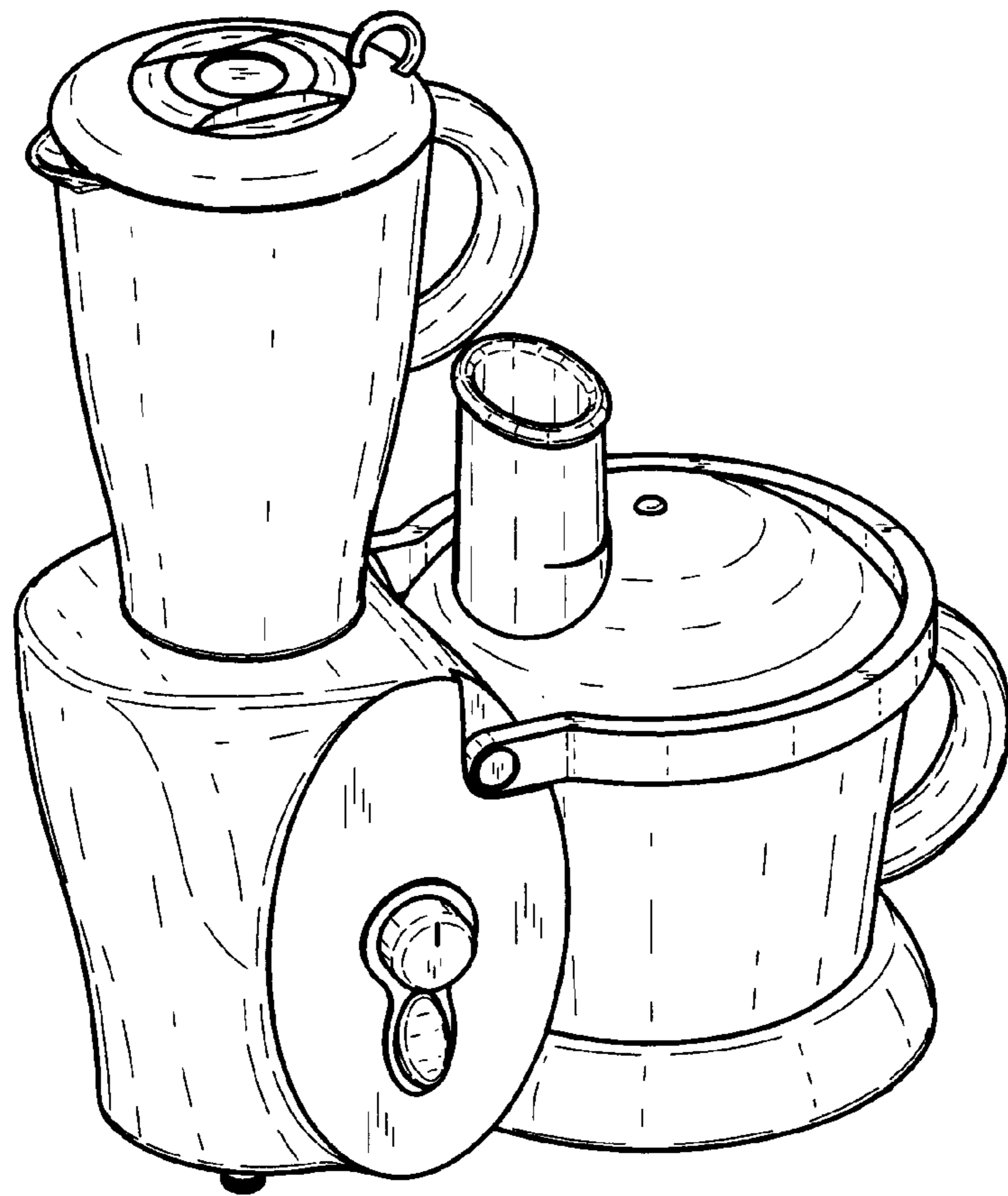


Fig.7