



US00D536210S

(12) **United States Design Patent**
Yeung

(10) **Patent No.:** **US D536,210 S**

(45) **Date of Patent:** **** Feb. 6, 2007**

(54) **STEAM COOKER**

(75) Inventor: **Kui Wong Yeung**, Hong Kong (HK)

(73) Assignee: **Homemax (Hong Kong) Limited**,
Hong Kong (HK)

(**) Term: **14 Years**

(21) Appl. No.: **29/244,287**

(22) Filed: **Dec. 7, 2005**

(30) **Foreign Application Priority Data**

Jun. 8, 2005 (HK) 0501362

(51) **LOC (8) Cl.** **07-02**

(52) **U.S. Cl.** **D7/356**

(58) **Field of Classification Search** D7/323,
D7/354, 356-360; 99/324, 325, 339, 357,
99/359, 410, 422; 126/19 R, 20, 275 R, 275 E,
126/369, 377; 219/620-622, 385, 386; 220/573.1-574
See application file for complete search history.

(56) **References Cited**

U.S. PATENT DOCUMENTS

D297,100 S * 8/1988 Schaller D7/356
D370,592 S * 6/1996 Ting D7/354
D376,067 S * 12/1996 Littmann D7/360
D380,341 S * 7/1997 Naft et al. D7/354

D402,848 S * 12/1998 Piret D7/356
D404,244 S * 1/1999 Jozancy D7/354
D435,392 S * 12/2000 Jo D7/356
D445,295 S * 7/2001 Su D7/323
D463,712 S * 10/2002 Jozancy D7/356
D481,257 S * 10/2003 Jozancy D7/356
D488,951 S * 4/2004 Jozancy D7/356
D490,646 S * 6/2004 Chedal Anglay D7/356
D517,857 S * 3/2006 Poon D7/356

* cited by examiner

Primary Examiner—Cathron C. Brooks

Assistant Examiner—Ricky Pham

(74) *Attorney, Agent, or Firm*—Law Office of Sergei Orel,
LLC

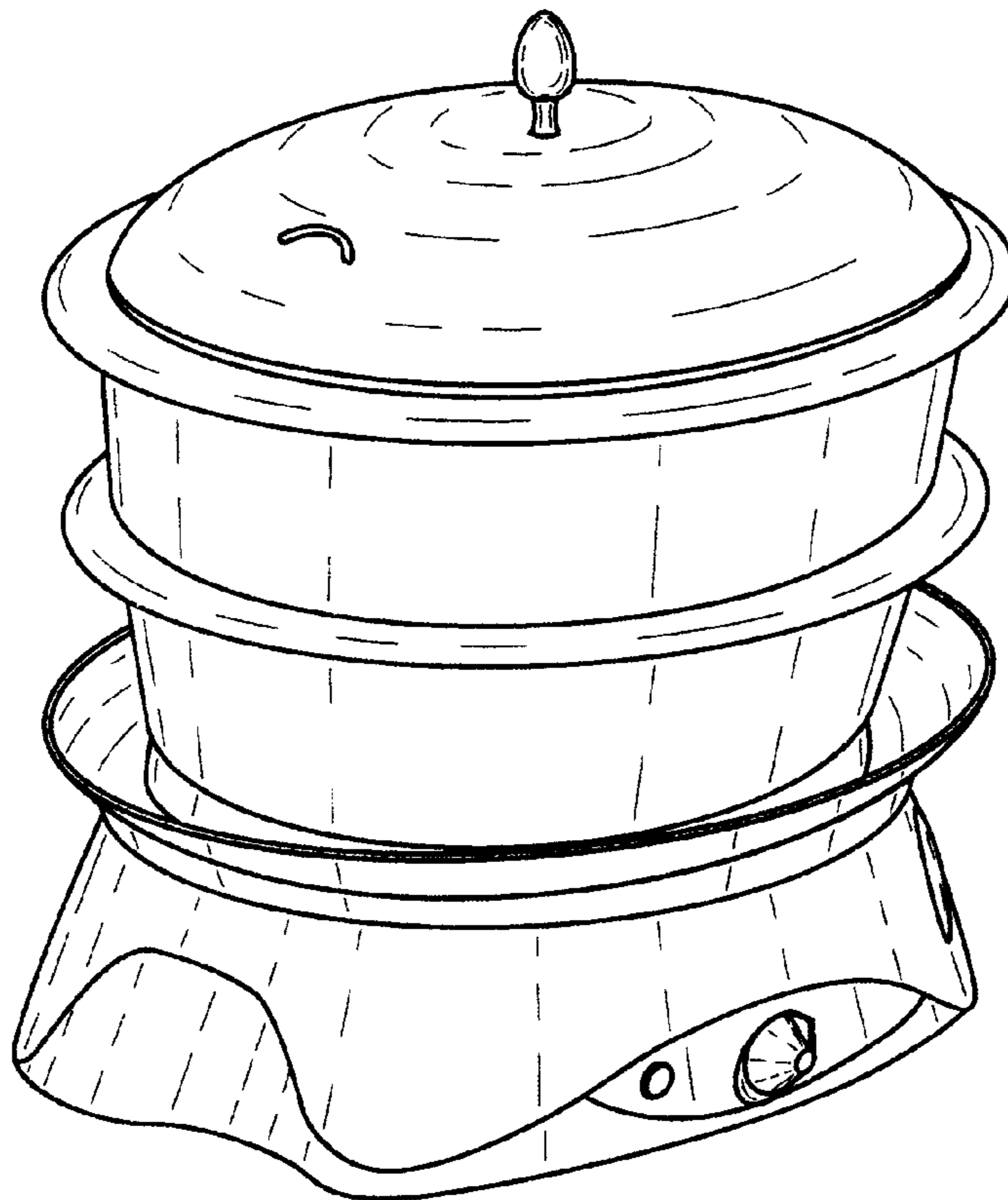
(57) **CLAIM**

The ornamental design for a steam cooker, as shown and described.

DESCRIPTION

FIG. 1 Top view.
FIG. 2 Bottom view.
FIG. 3 Front view.
FIG. 4 Rear view.
FIG. 5 Side view.
FIG. 6 Opposite Side view; and,
FIG. 7 Perspective view.

1 Claim, 4 Drawing Sheets



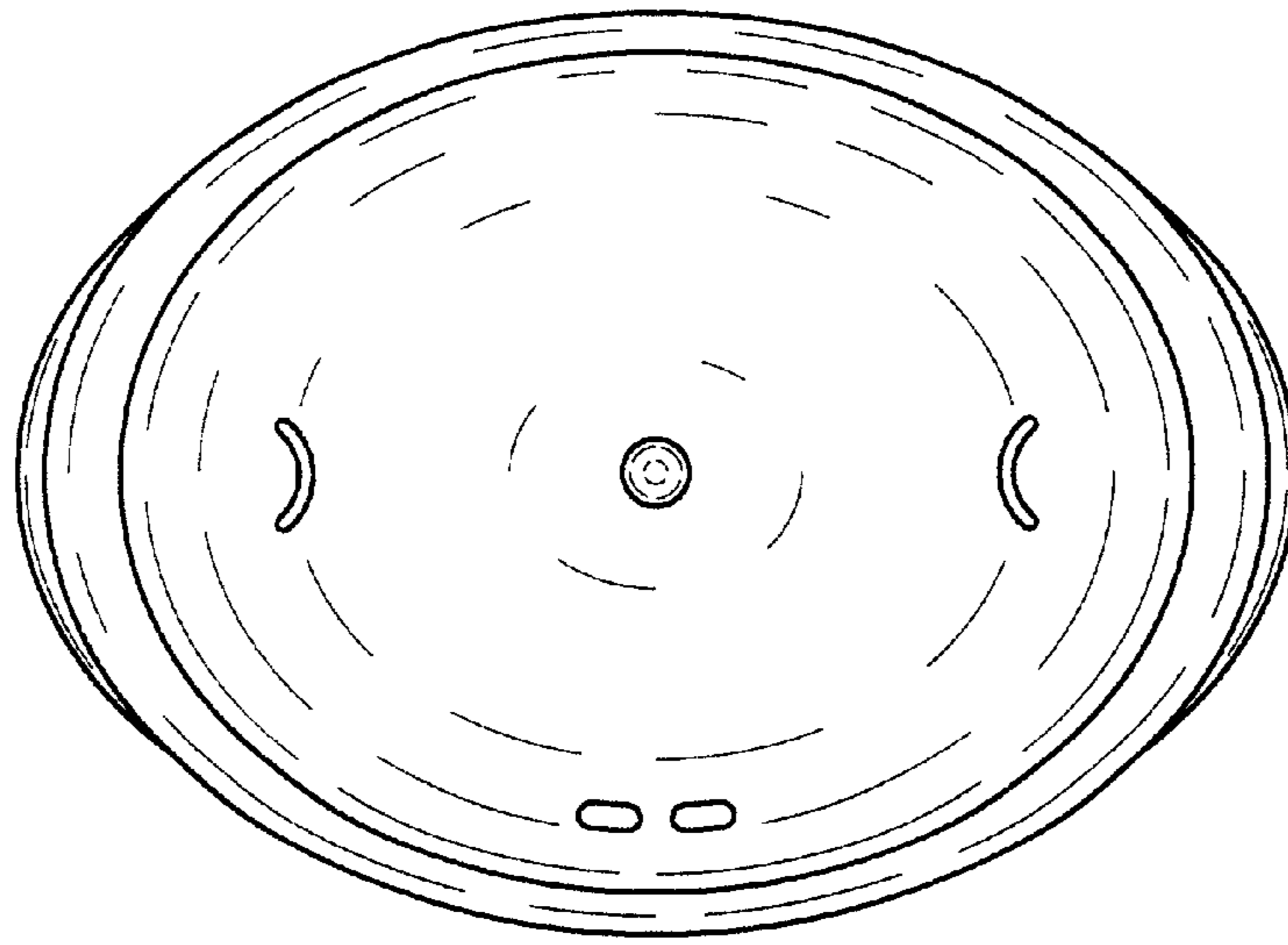


Fig.1

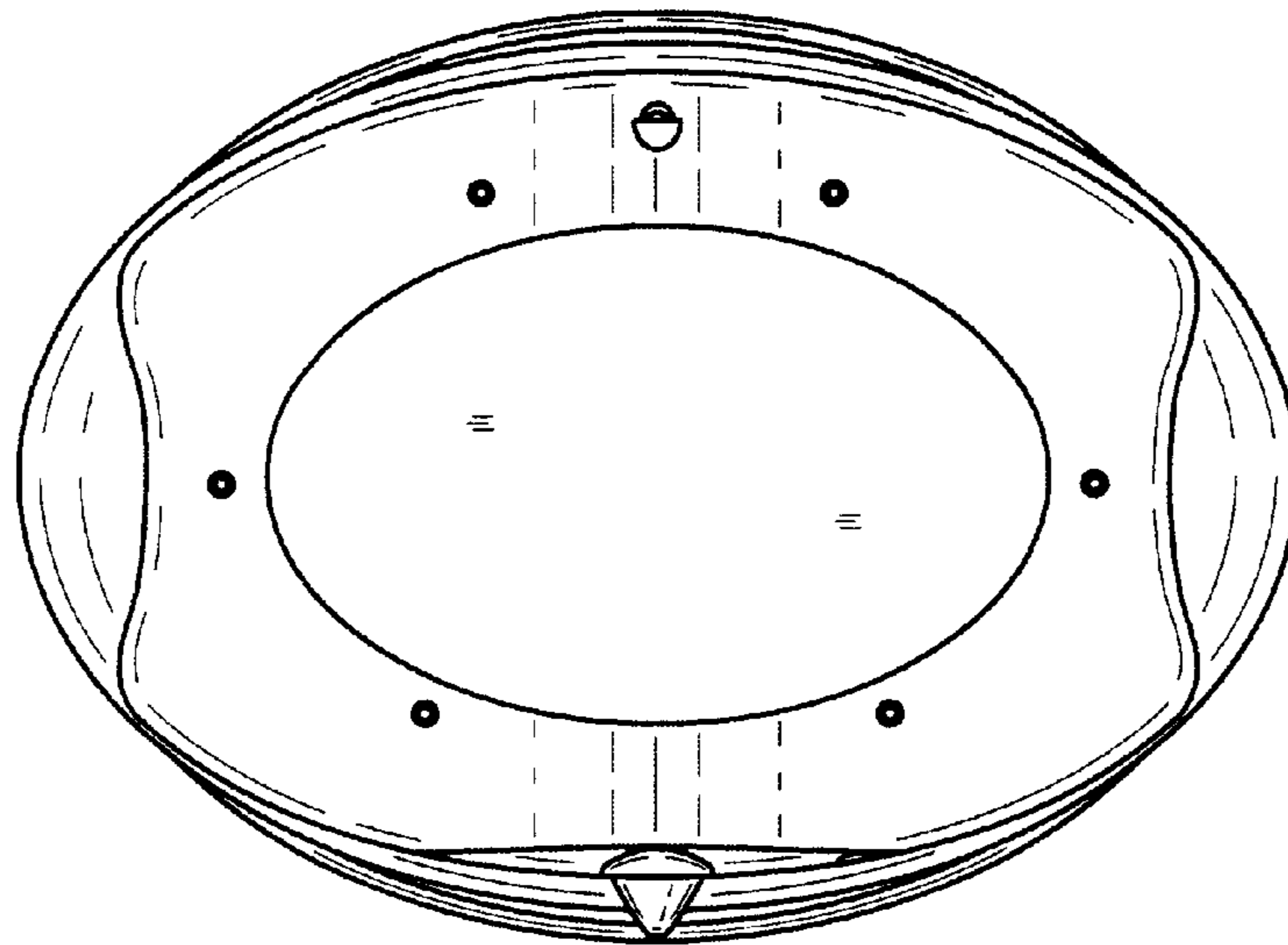


Fig.2

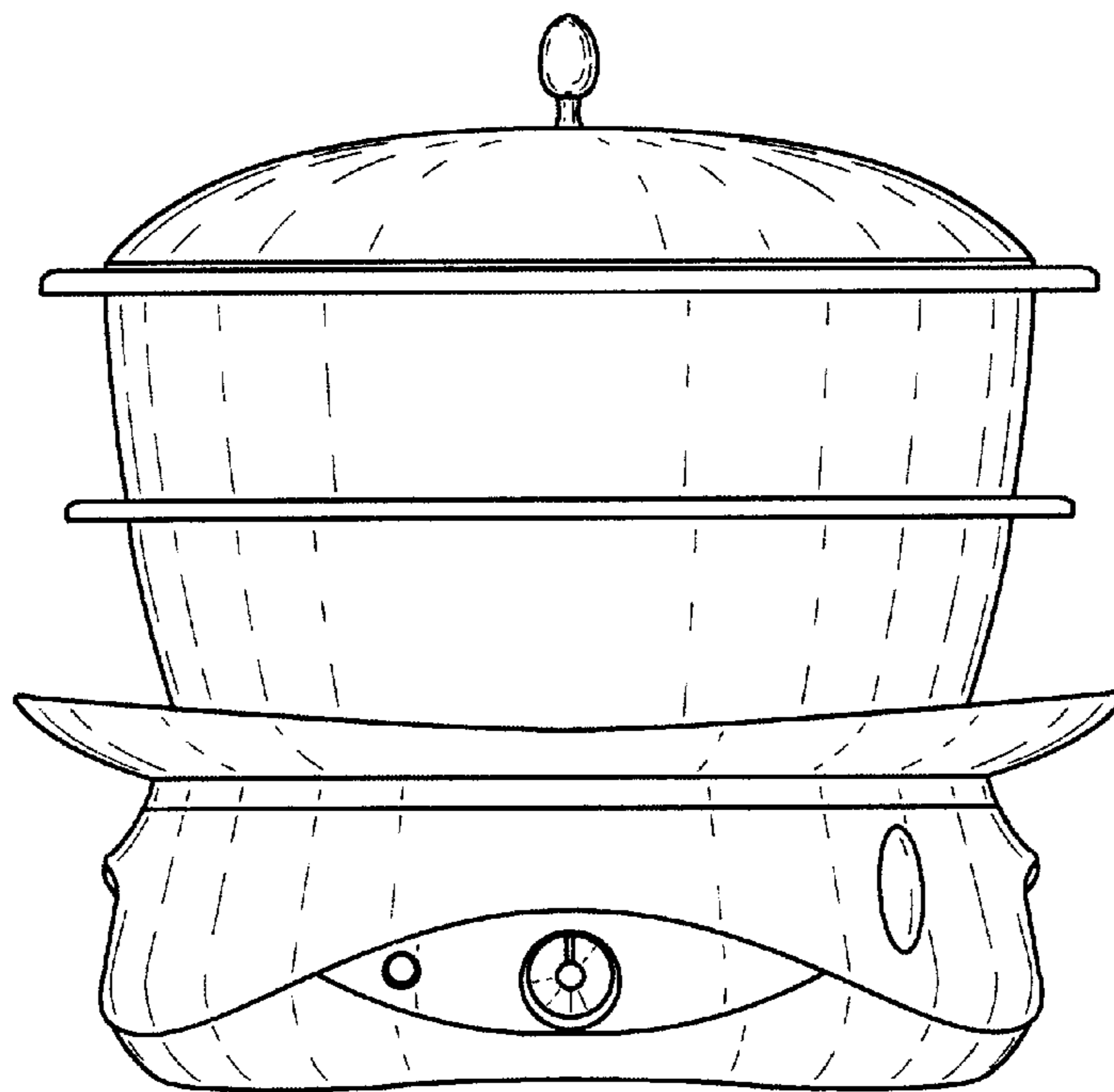


Fig.3

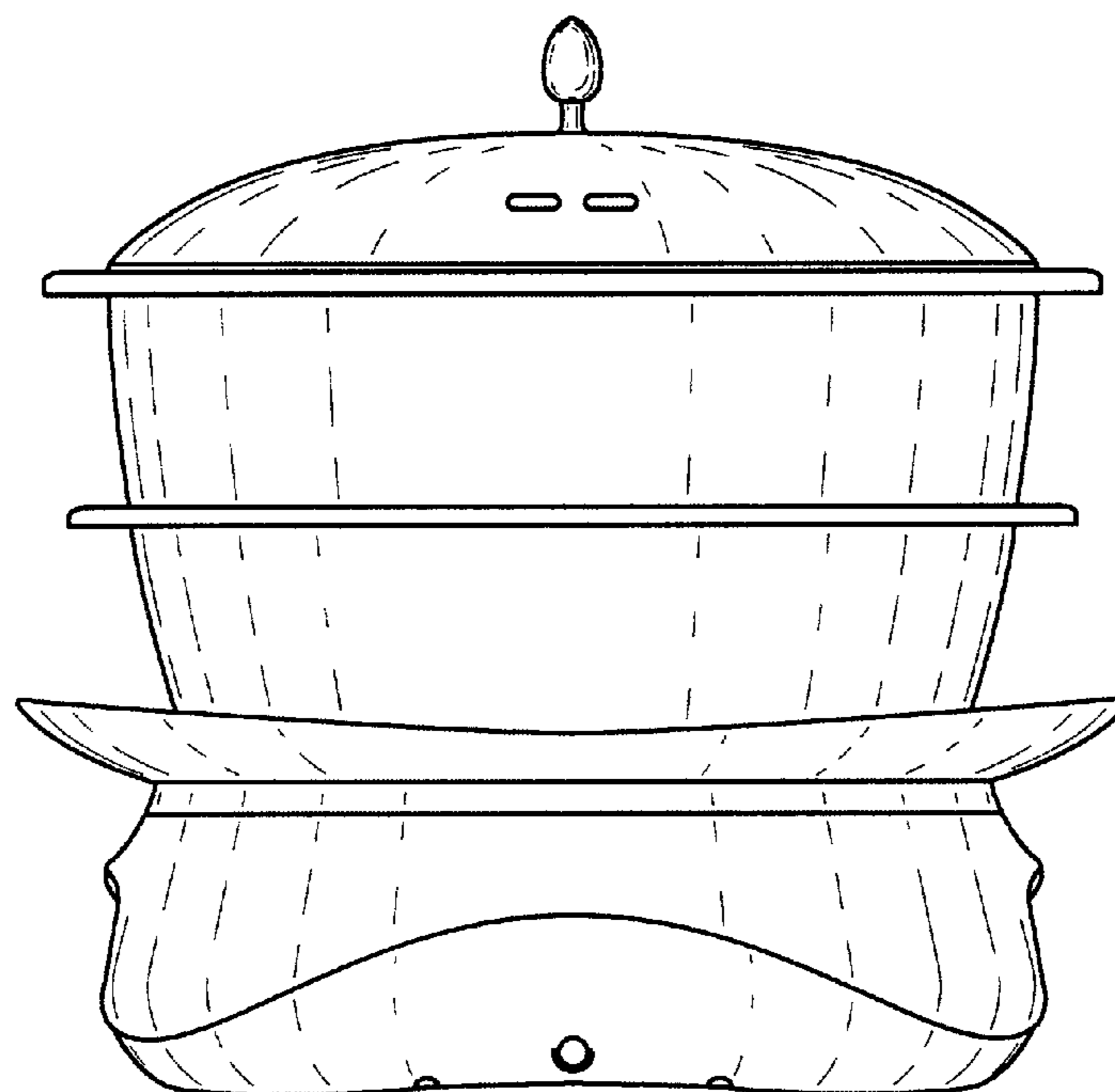


Fig.4

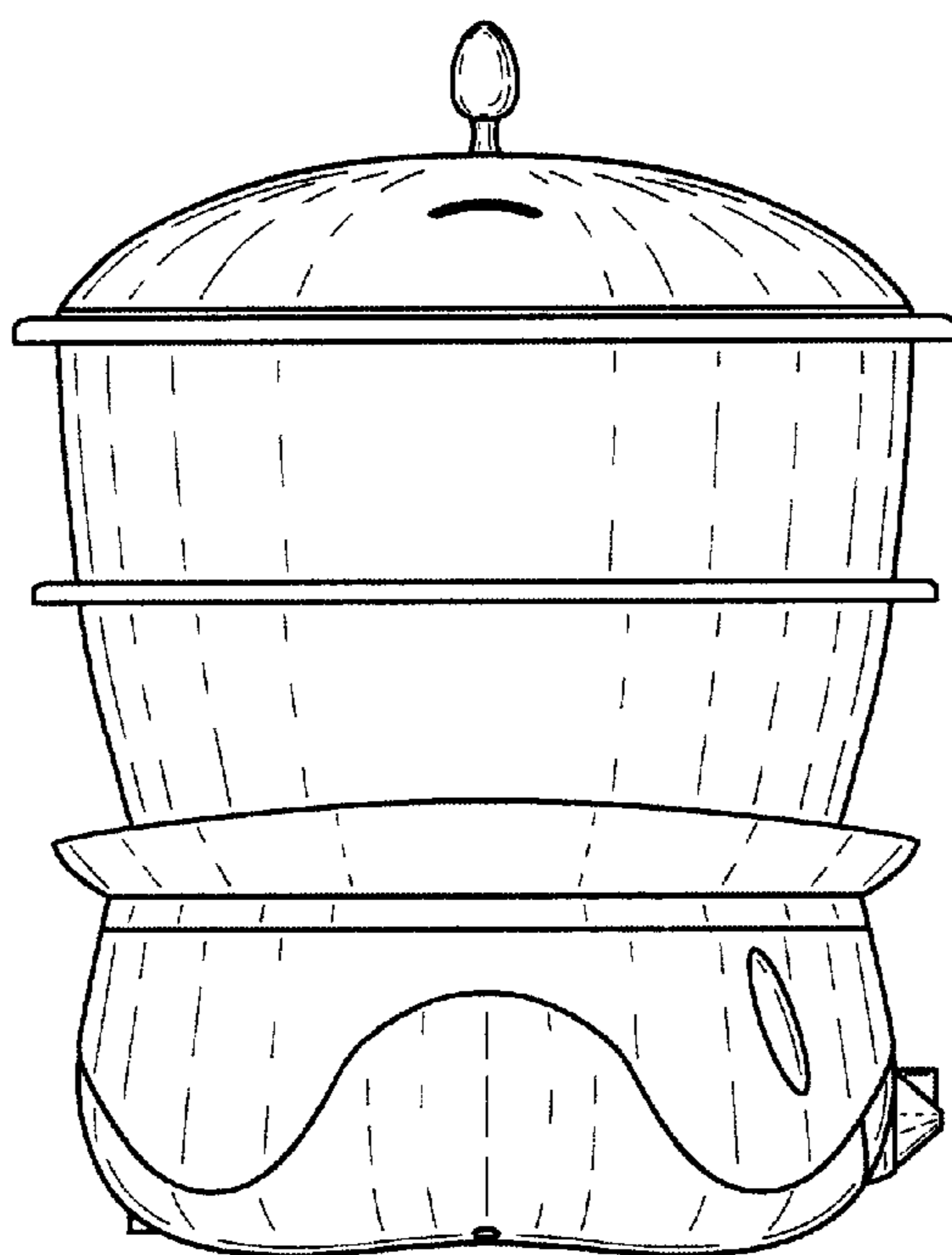


Fig.5

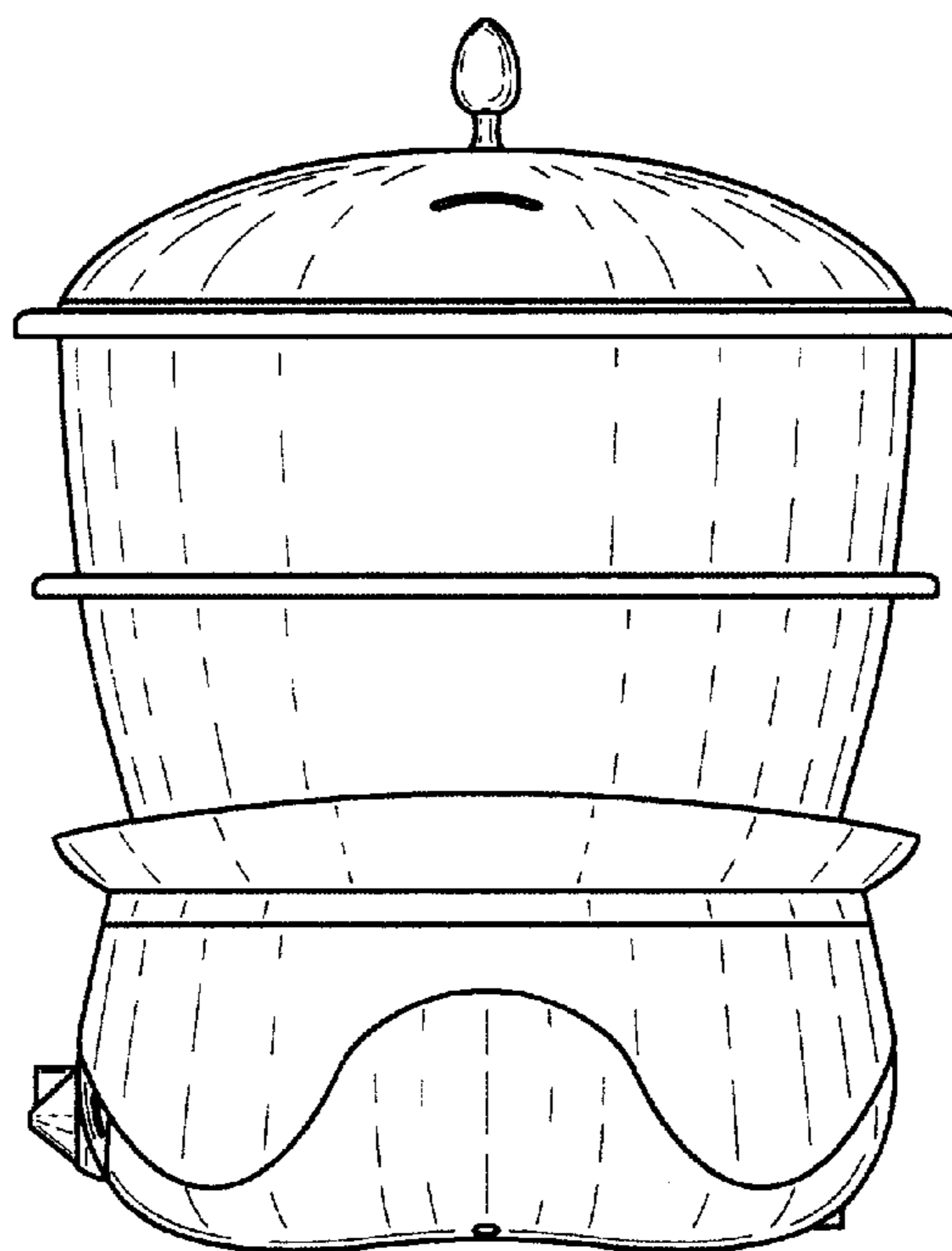


Fig.6

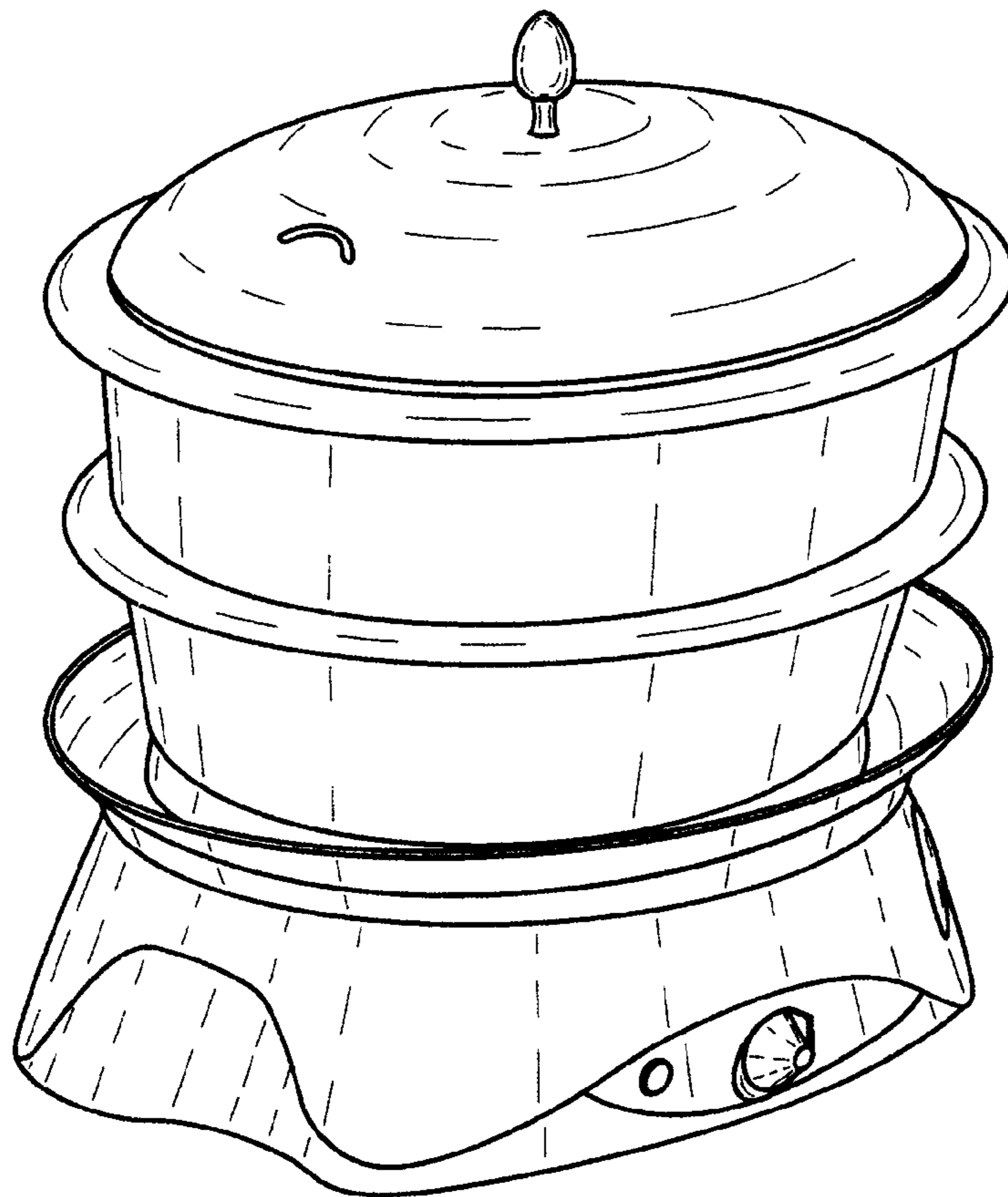


Fig.7