

US00D536209S

(12) **United States Design Patent**  
**Tayyab et al.**

(10) **Patent No.: US D536,209 S**

(45) **Date of Patent: \*\* Feb. 6, 2007**

(54) **TORTILLA MAKER**

(75) Inventors: **Ashar Tayyab**, Houston, TX (US);  
**Shahid Waseem**, Sugar Land, TX (US);  
**Johnny Kao**, Thornhill (CA)

(73) Assignee: **Chef Art, Inc.**, Sugar Land, TX (US)

(\*\*) Term: **14 Years**

(21) Appl. No.: **29/238,178**

(22) Filed: **Sep. 12, 2005**

(51) **LOC (8) Cl.** ..... **07-02**

(52) **U.S. Cl.** ..... **D7/352**

(58) **Field of Classification Search** ..... D7/323,  
D7/328-332, 334-339, 352-363; 99/219,  
99/331, 339, 349, 369, 372-375, 385, 386,  
99/389, 425, 444, 446, 466, 601, 618, 620;  
219/524, 525, 620-622, 732-734; D21/525  
See application file for complete search history.

(56) **References Cited**

**U.S. PATENT DOCUMENTS**

1,728,751	A	*	9/1929	Forshee	.....	99/379
4,075,940	A	*	2/1978	Carbon	.....	99/377
D253,218	S	*	10/1979	Johnson	.....	D7/356
D276,208	S	*	11/1984	LaDuca et al.	.....	D7/352
4,664,025	A	*	5/1987	Martinez	.....	99/331
D299,609	S	*	1/1989	Madl	.....	D7/352
D309,844	S	*	8/1990	Storsberg	.....	D7/352
D334,108	S	*	3/1993	Fisher	.....	D7/323

D347,548	S	*	6/1994	Boehm et al.	.....	D7/352
D364,992	S	*	12/1995	Wooderson et al.	.....	D7/352
D379,733	S	*	6/1997	Liu et al.	.....	D7/352
D419,823	S	*	2/2000	Choi	.....	D7/352
D433,270	S	*	11/2000	Martinez	.....	D7/352

**FOREIGN PATENT DOCUMENTS**

GB 2038539 \* 4/1999

\* cited by examiner

*Primary Examiner*—Cathron C. Brooks

*Assistant Examiner*—Ricky Pham

(74) *Attorney, Agent, or Firm*—Browning Bushman P.C.

(57) **CLAIM**

The ornamental design for a tortilla maker, as shown and described.

**DESCRIPTION**

FIG. 1 is a perspective view of a tortilla maker showing our new design;

FIG. 2 is a right side view of the tortilla maker shown in FIG. 1.

FIG. 3 is a left side view of the tortilla maker shown in FIG. 1.

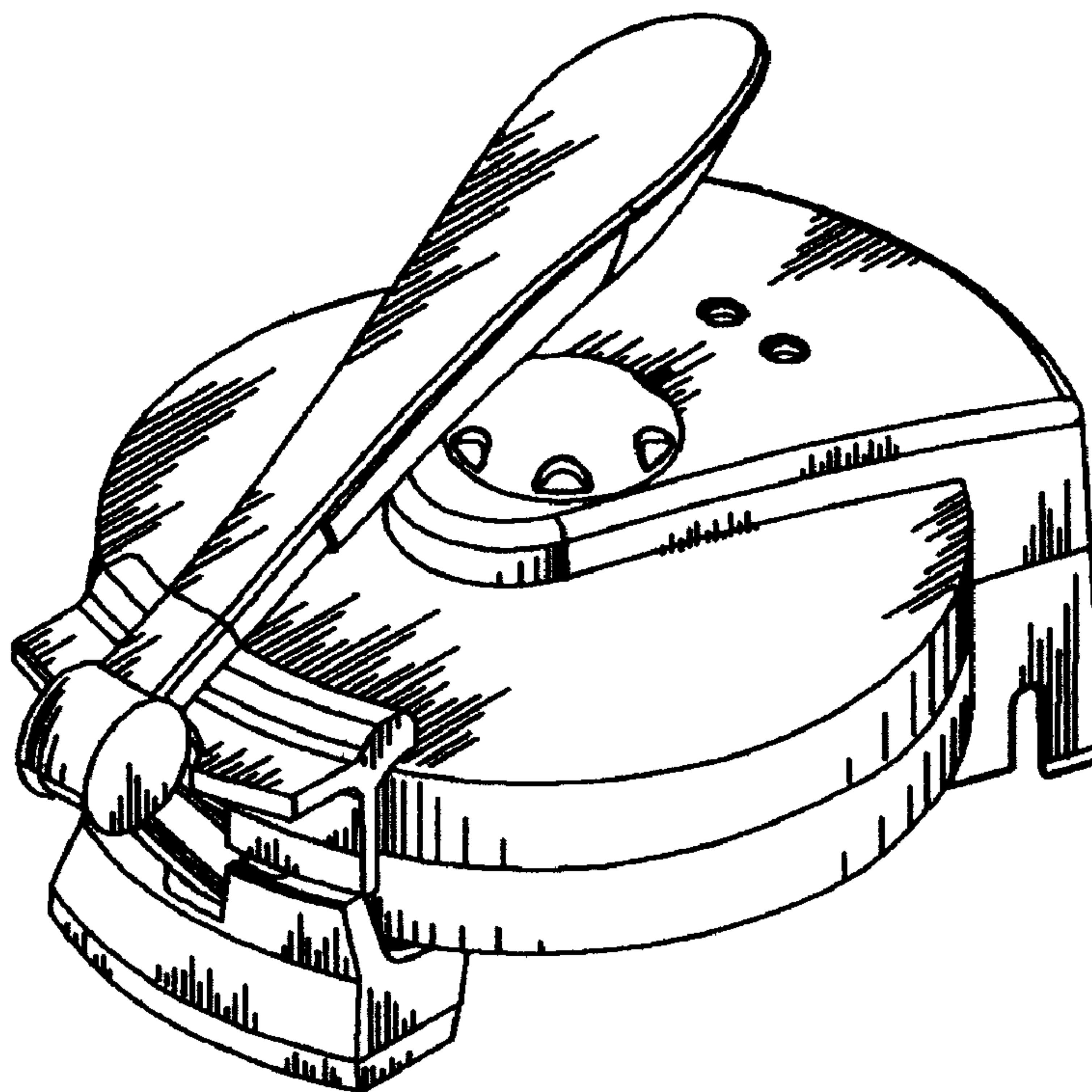
FIG. 4 is a rear view of the tortilla maker shown in FIG. 1.

FIG. 5 is a front view of the tortilla maker shown in FIG. 1.

FIG. 6 is a bottom view of the tortilla maker shown in FIG. 1; and,

FIG. 7 is a top view of the tortilla maker shown in FIG. 1.

**1 Claim, 2 Drawing Sheets**



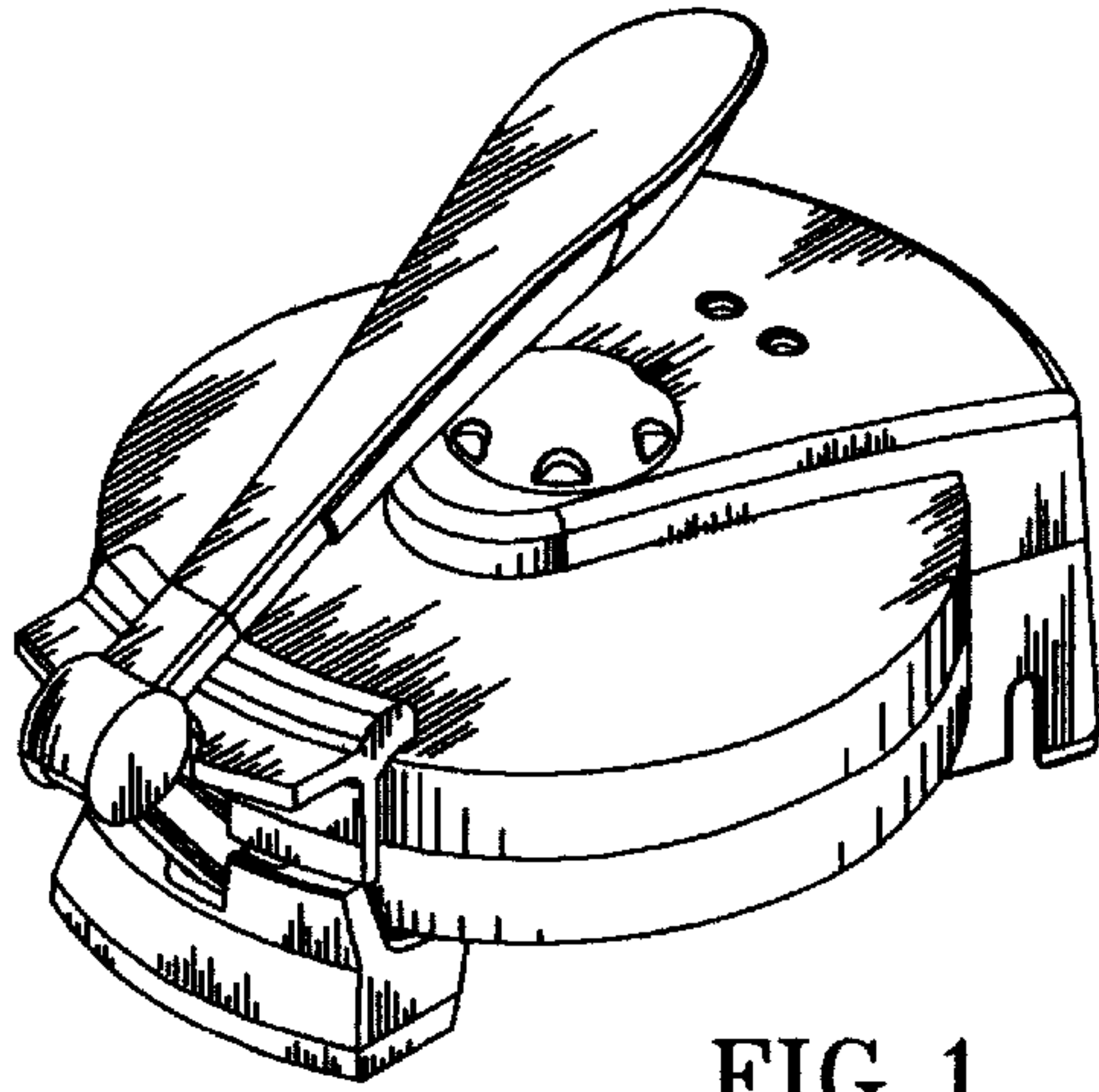


FIG. 1

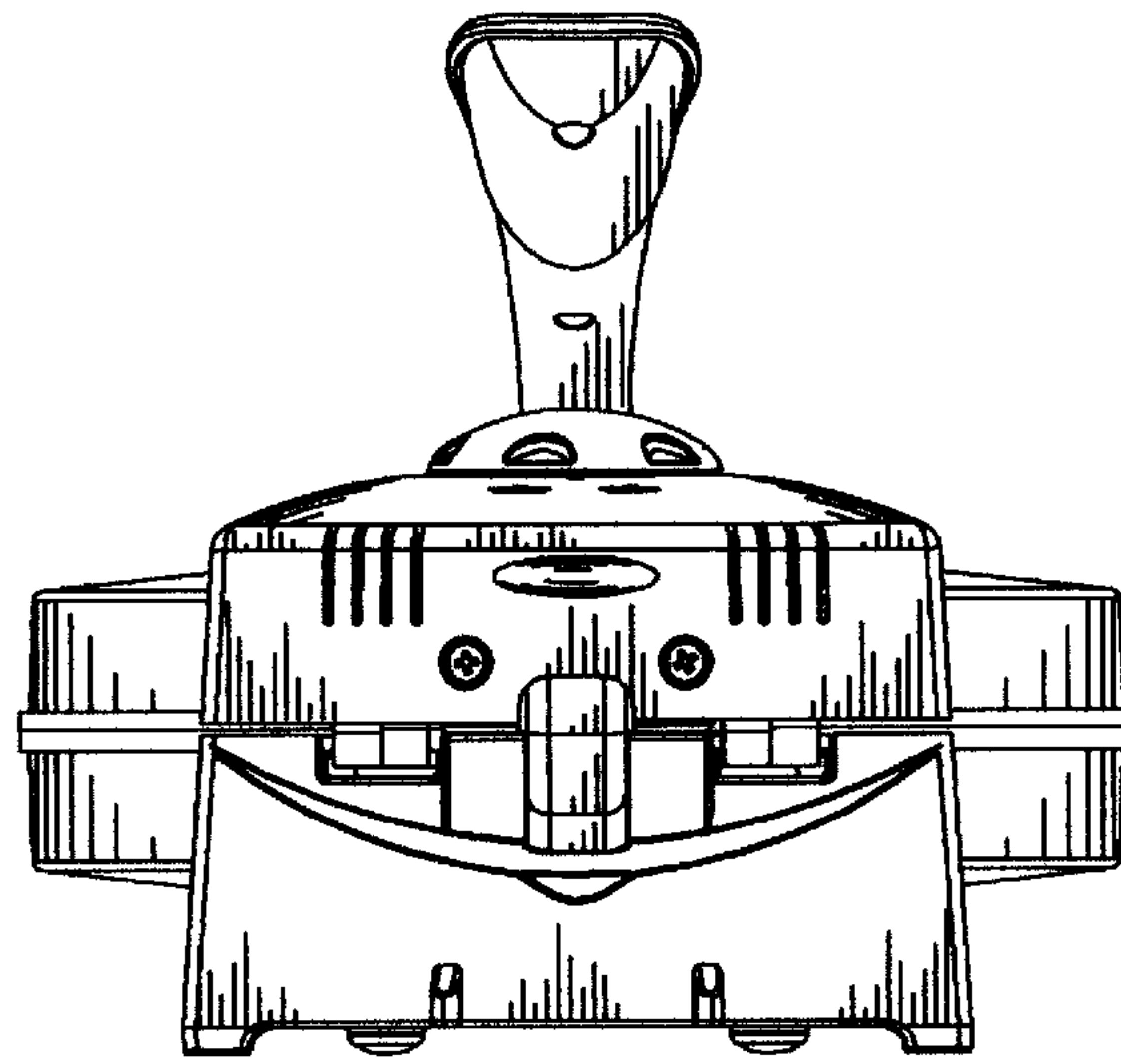


FIG. 2

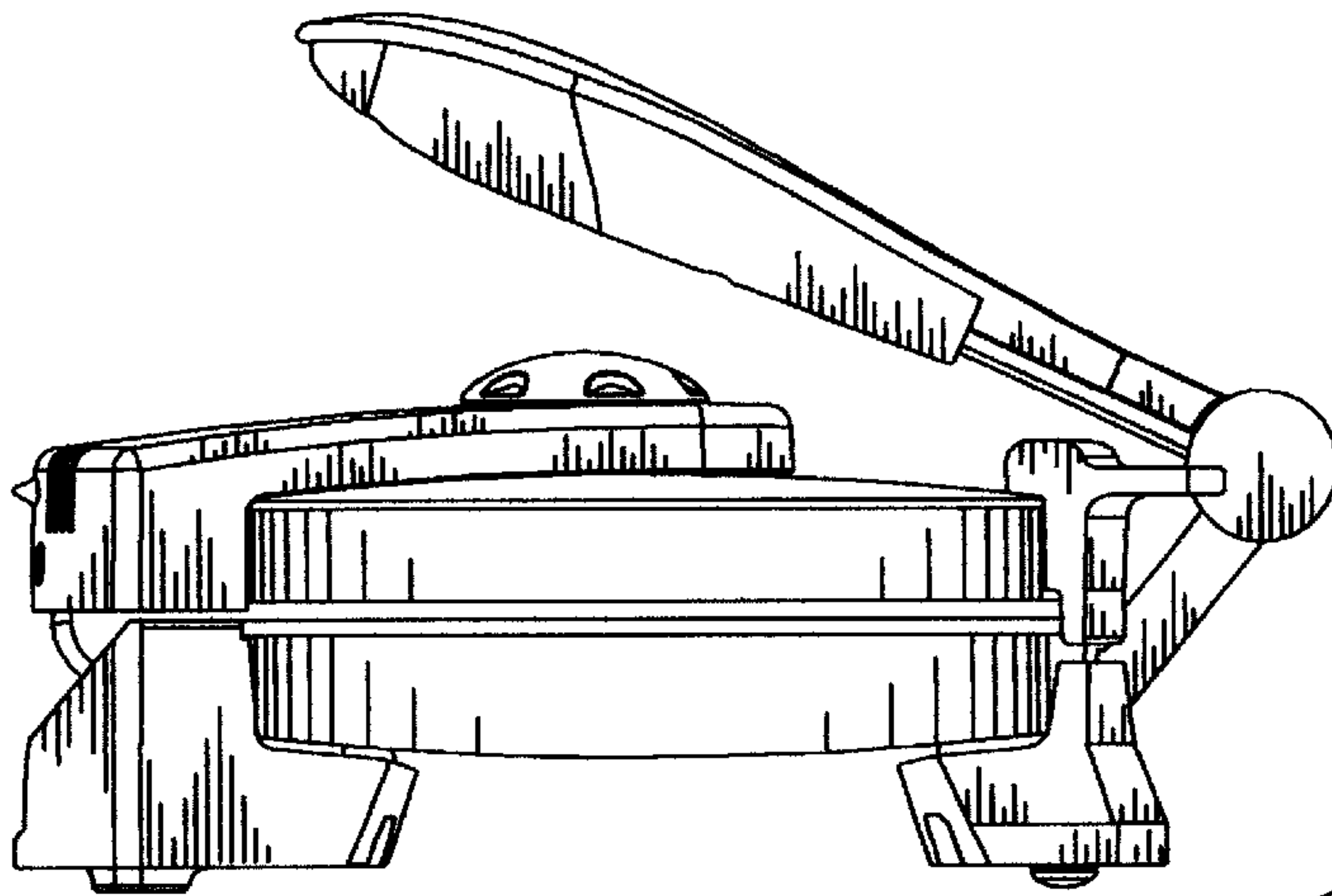


FIG. 4

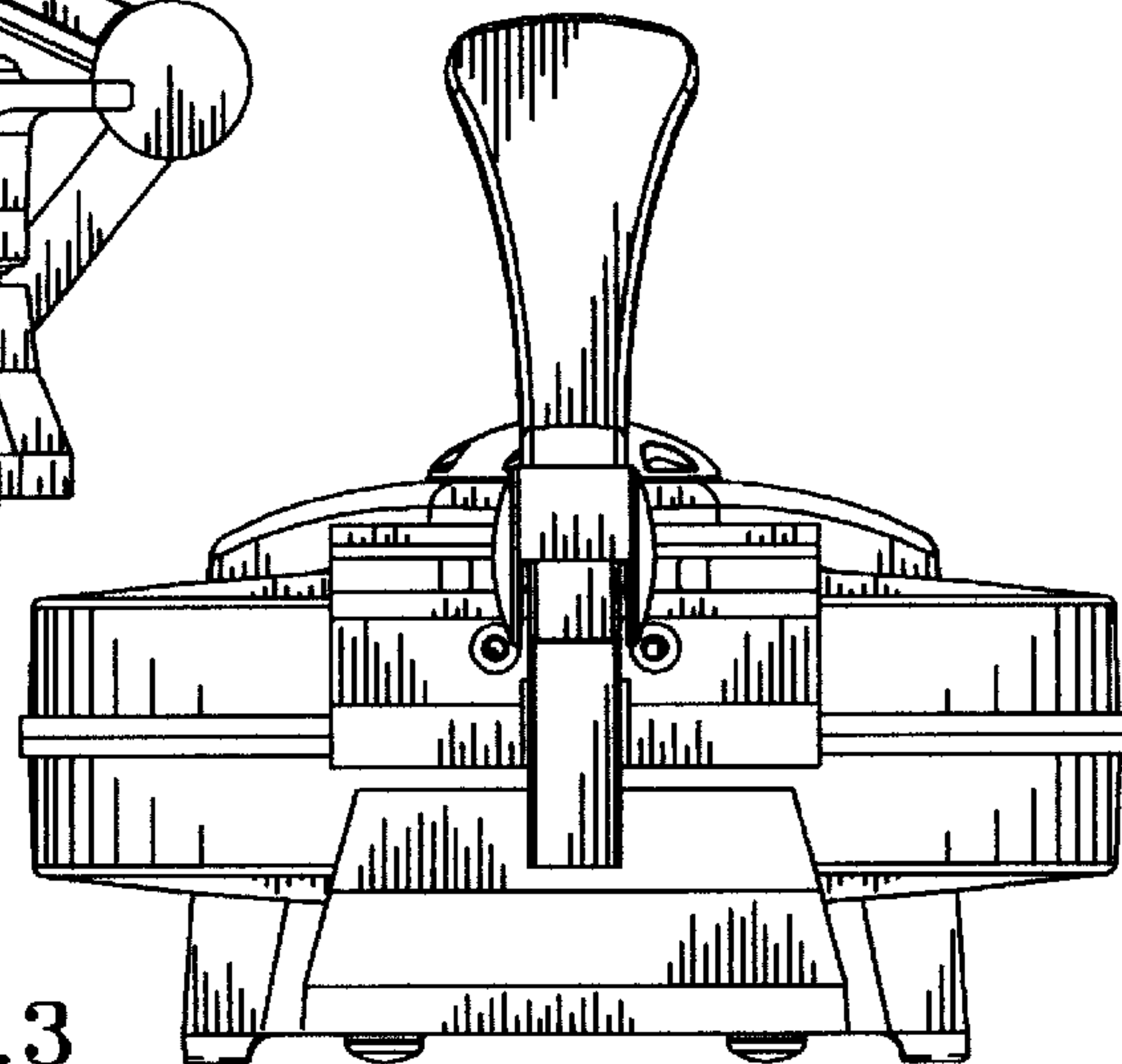


FIG. 3

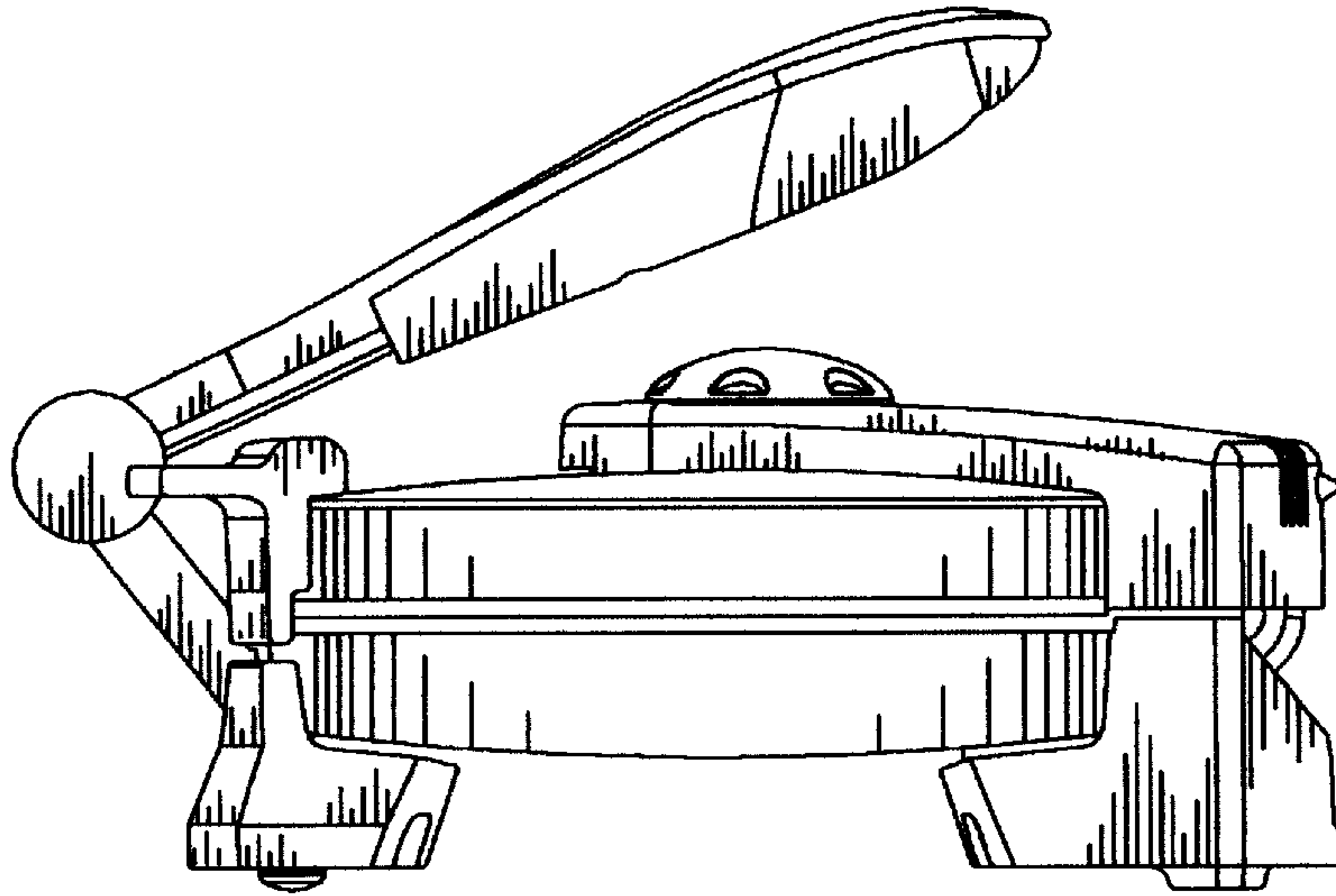


FIG. 5

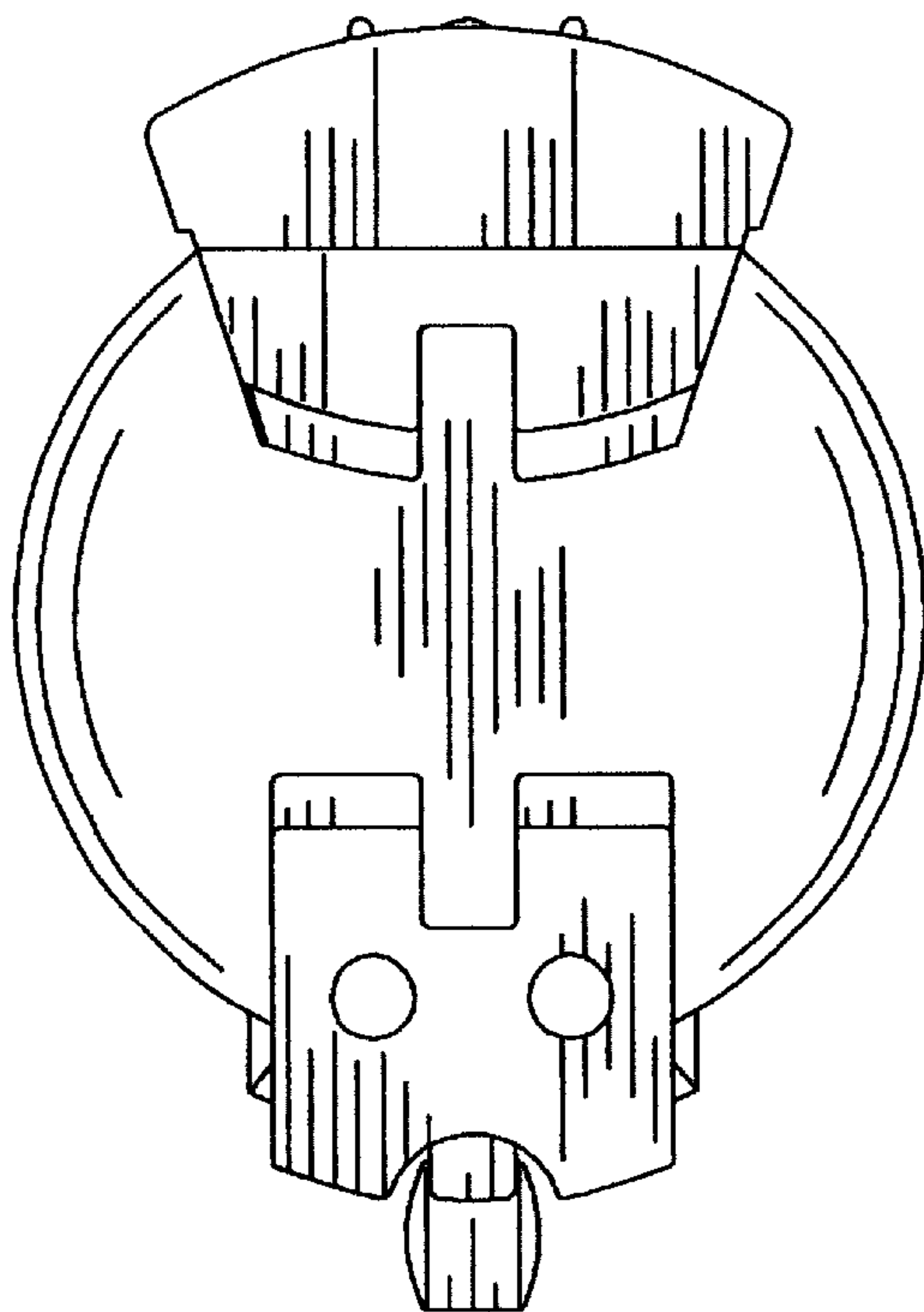


FIG. 6

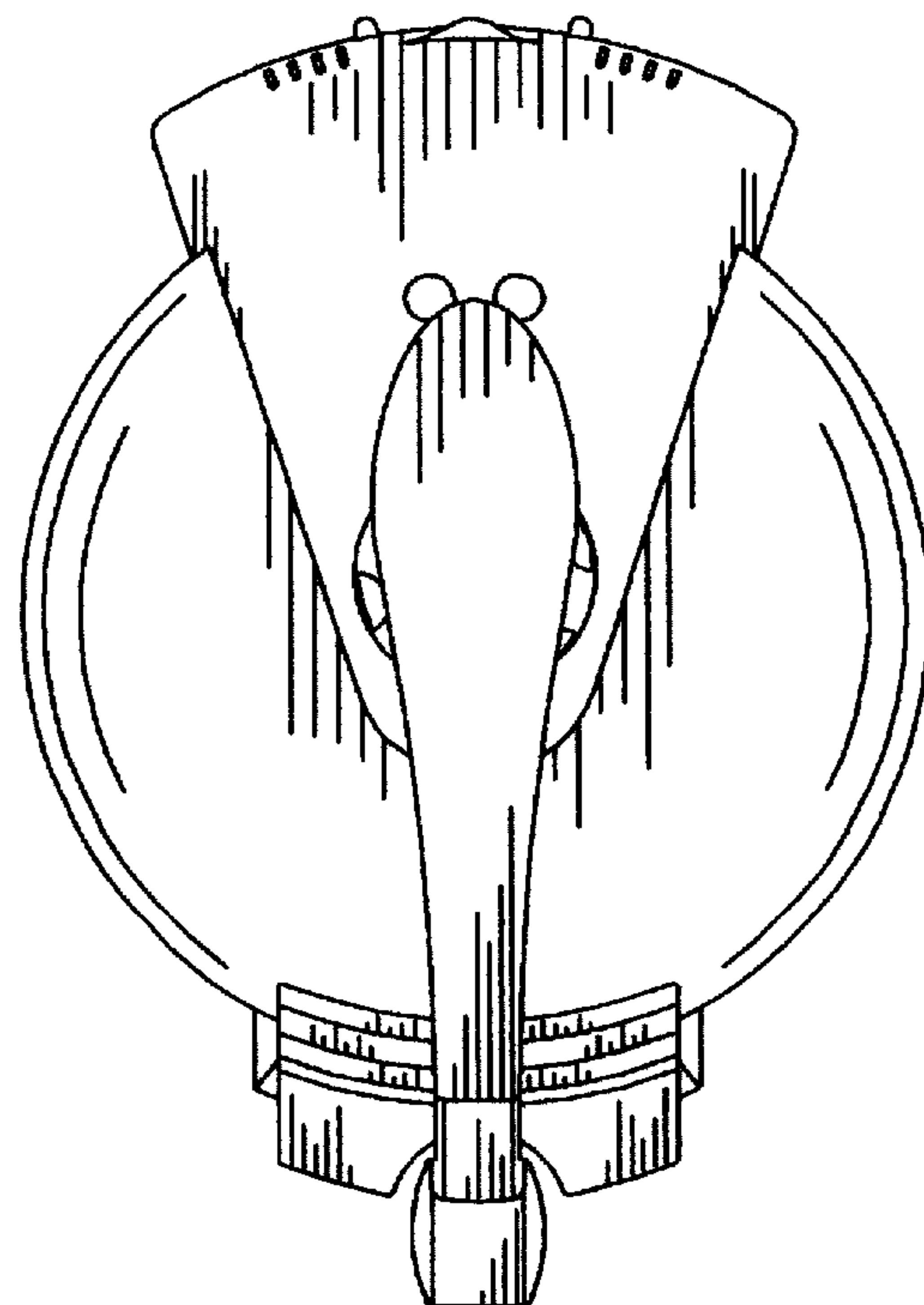


FIG. 7